



US00D470041S

(12) **United States Design Patent**
Fergusson

(10) **Patent No.:** **US D470,041 S**

(45) **Date of Patent:** **** Feb. 11, 2003**

- (54) **ROCK BOLT SUPPORT PLATE**
- (75) Inventor: **Jeffrey Robert Fergusson**, Glenorie (AU)
- (73) Assignee: **Industrial Roll Formers Pty Limited**, Smithfield (AU)
- (**) Term: **14 Years**
- (21) Appl. No.: **29/147,768**
- (22) Filed: **Sep. 5, 2001**
- (30) **Foreign Application Priority Data**

Mar. 7, 2001 (AU) 732/2001

- (51) **LOC (7) Cl.** **08-08**
- (52) **U.S. Cl.** **D8/399**
- (58) **Field of Search** D8/382, 399, 499; 411/537, 538, 543, 544, 10, 11; 405/259.1

(56) **References Cited**

U.S. PATENT DOCUMENTS

- 2,854,824 A * 10/1958 Curry et al. 248/205.1
- D236,428 S * 8/1975 Stewart et al. 405/302.1

- 4,498,815 A * 2/1985 Dye 405/302.1
- D288,778 S * 3/1987 Giannuzzi D8/353
- D301,687 S * 6/1989 Cassidy et al. D8/353
- 5,102,275 A * 4/1992 Hulsey 411/134
- 5,851,089 A * 12/1998 Beretta 405/259.1

* cited by examiner

Primary Examiner—Alan P. Douglas

Assistant Examiner—Clare E. Heflin

(74) *Attorney, Agent, or Firm*—Altera Law Group, LLC

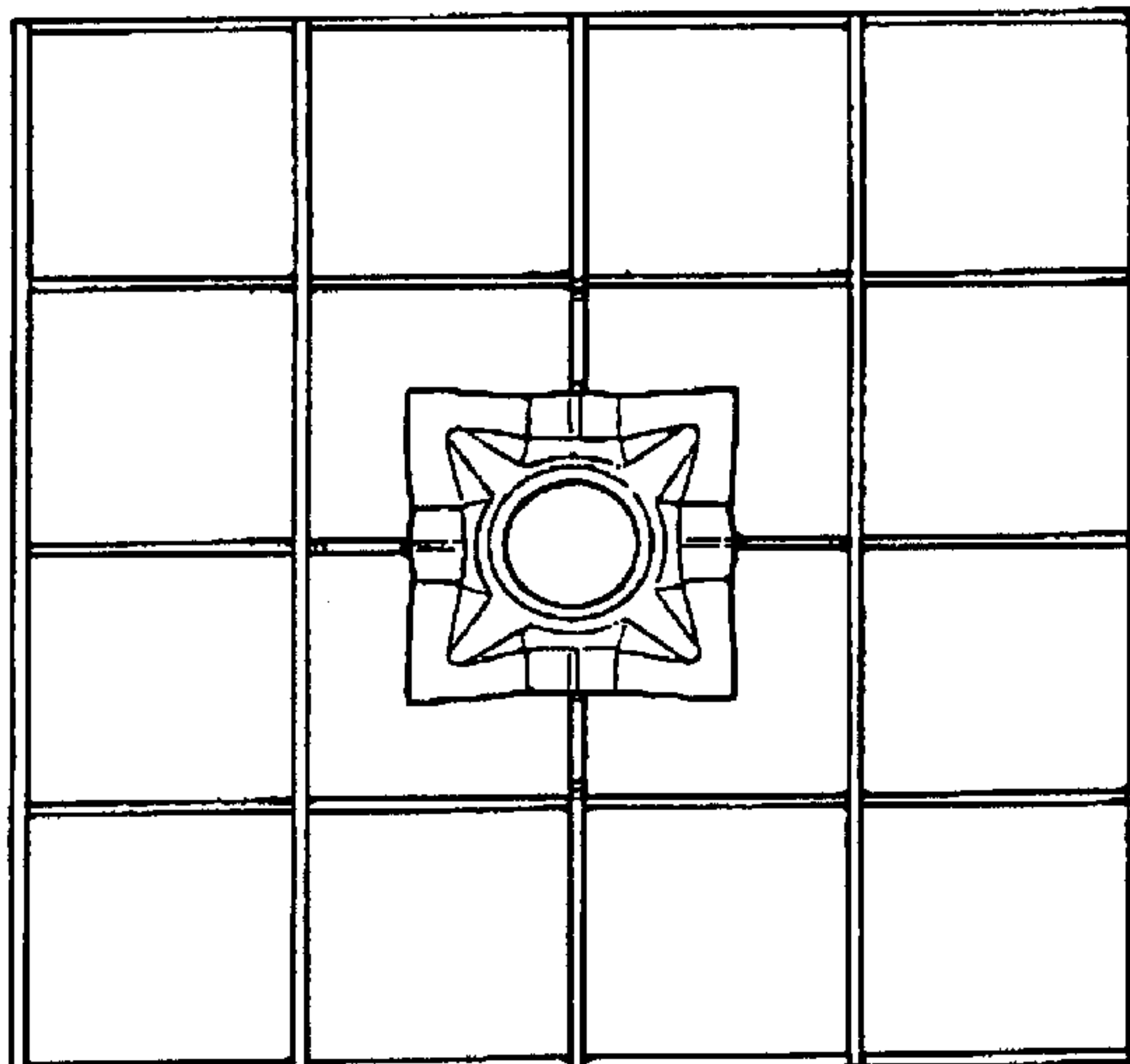
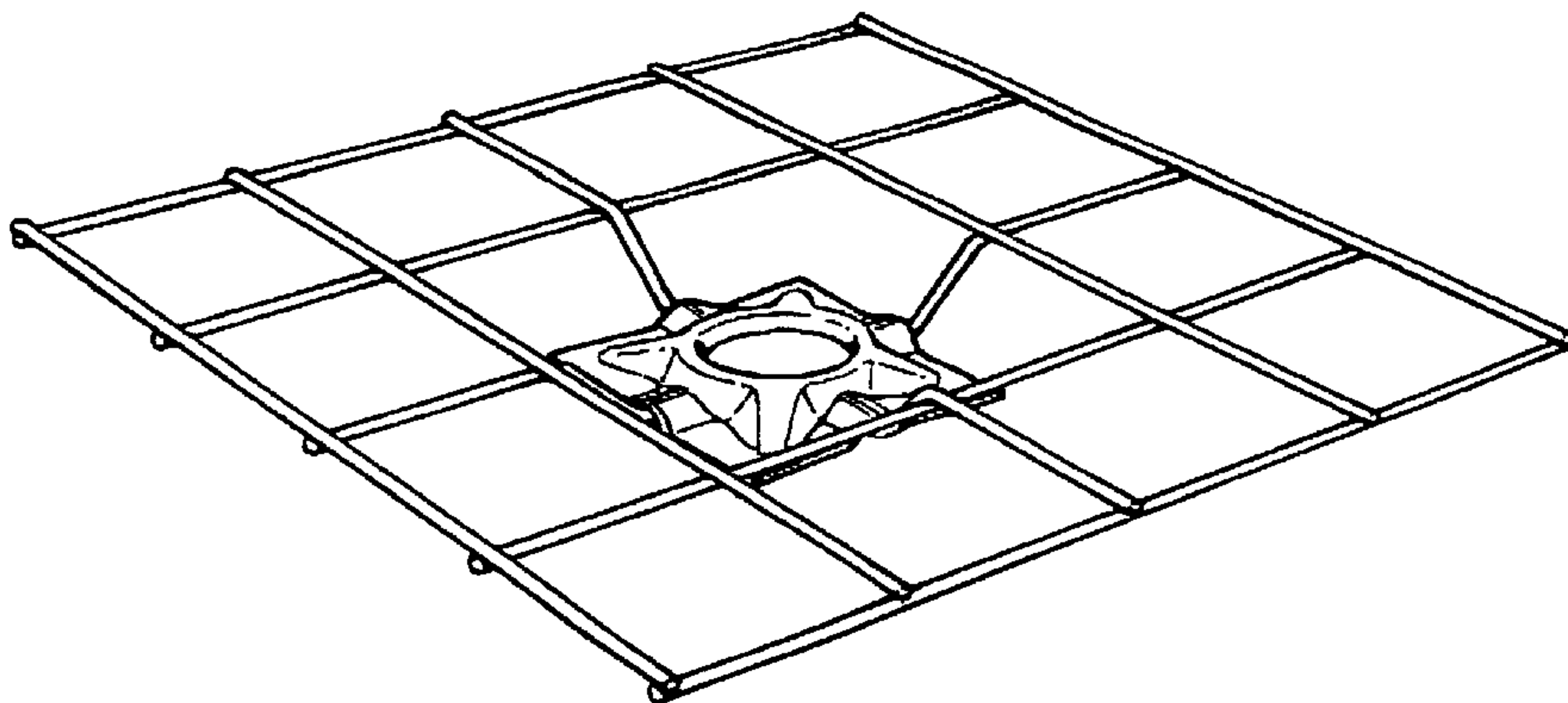
(57) **CLAIM**

The ornamental design for a rock bolt support plate, as shown and described.

DESCRIPTION

FIG. 1 is a perspective view of a rock bolt support plate.
 FIG. 2 is a plan view thereof.
 FIG. 3 is an inverted plan thereof.
 FIG. 4 is a front view, the rear view being identical thereof;
 and,
 FIG. 5 is a left side view, the right side view being identical thereof.

1 Claim, 2 Drawing Sheets



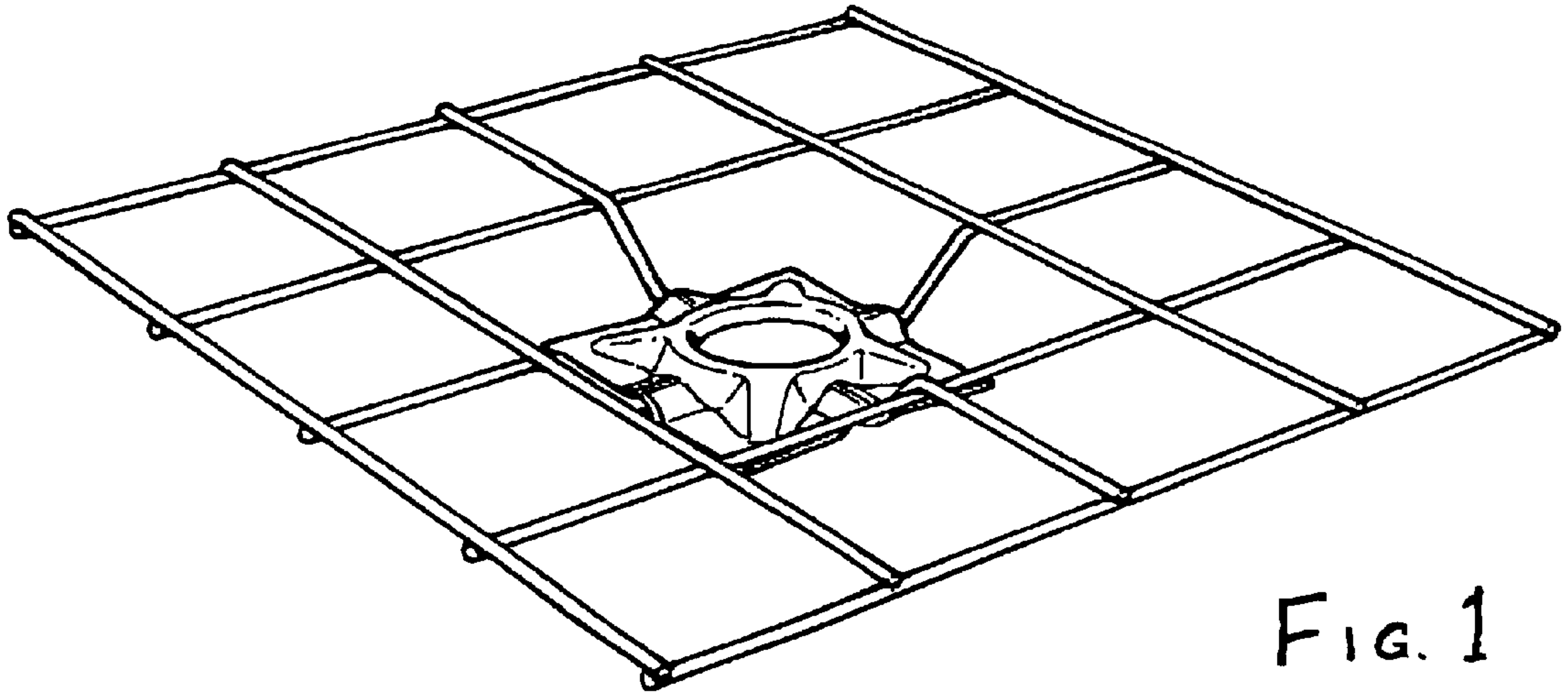


FIG. 1

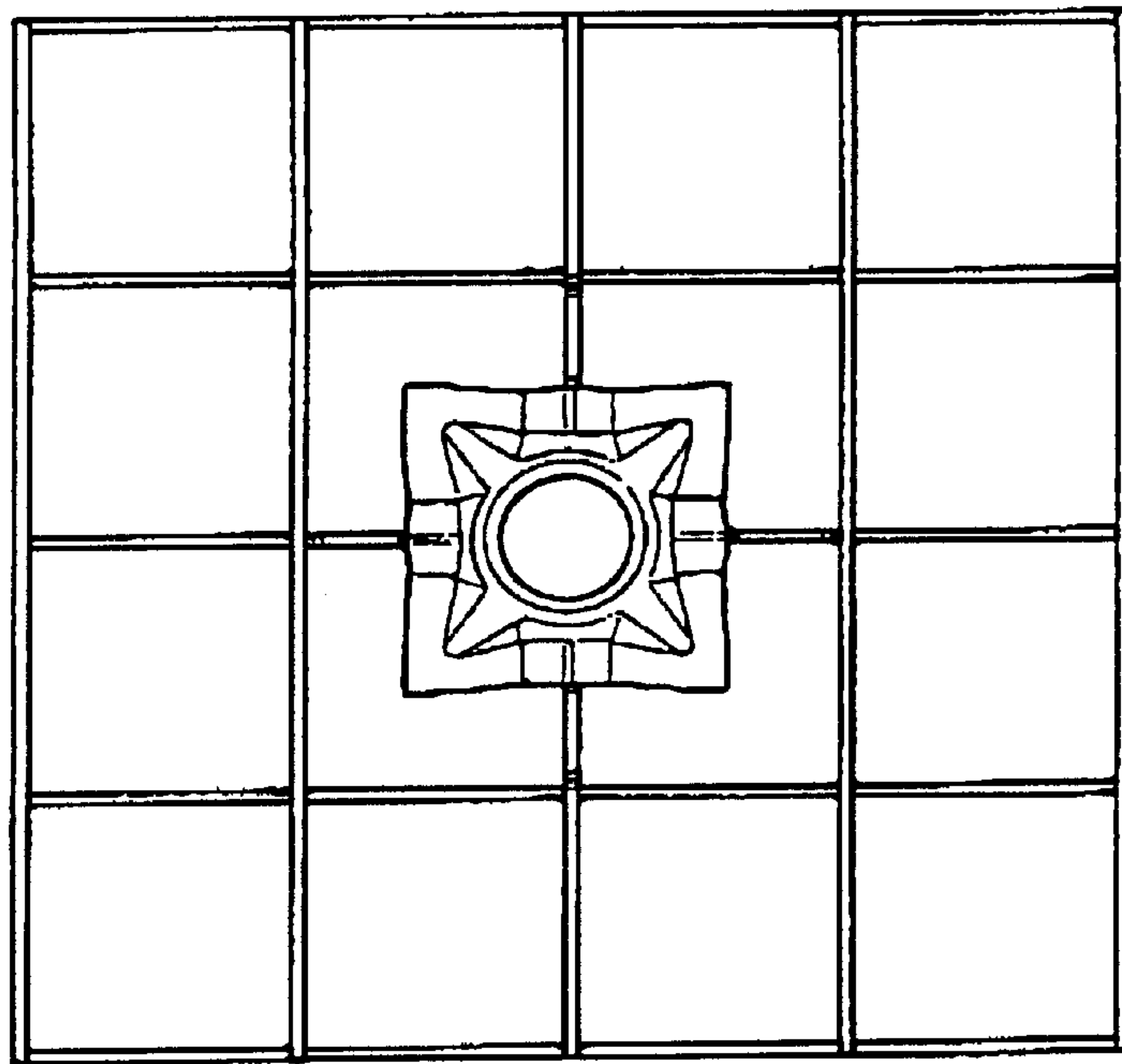


FIG. 2

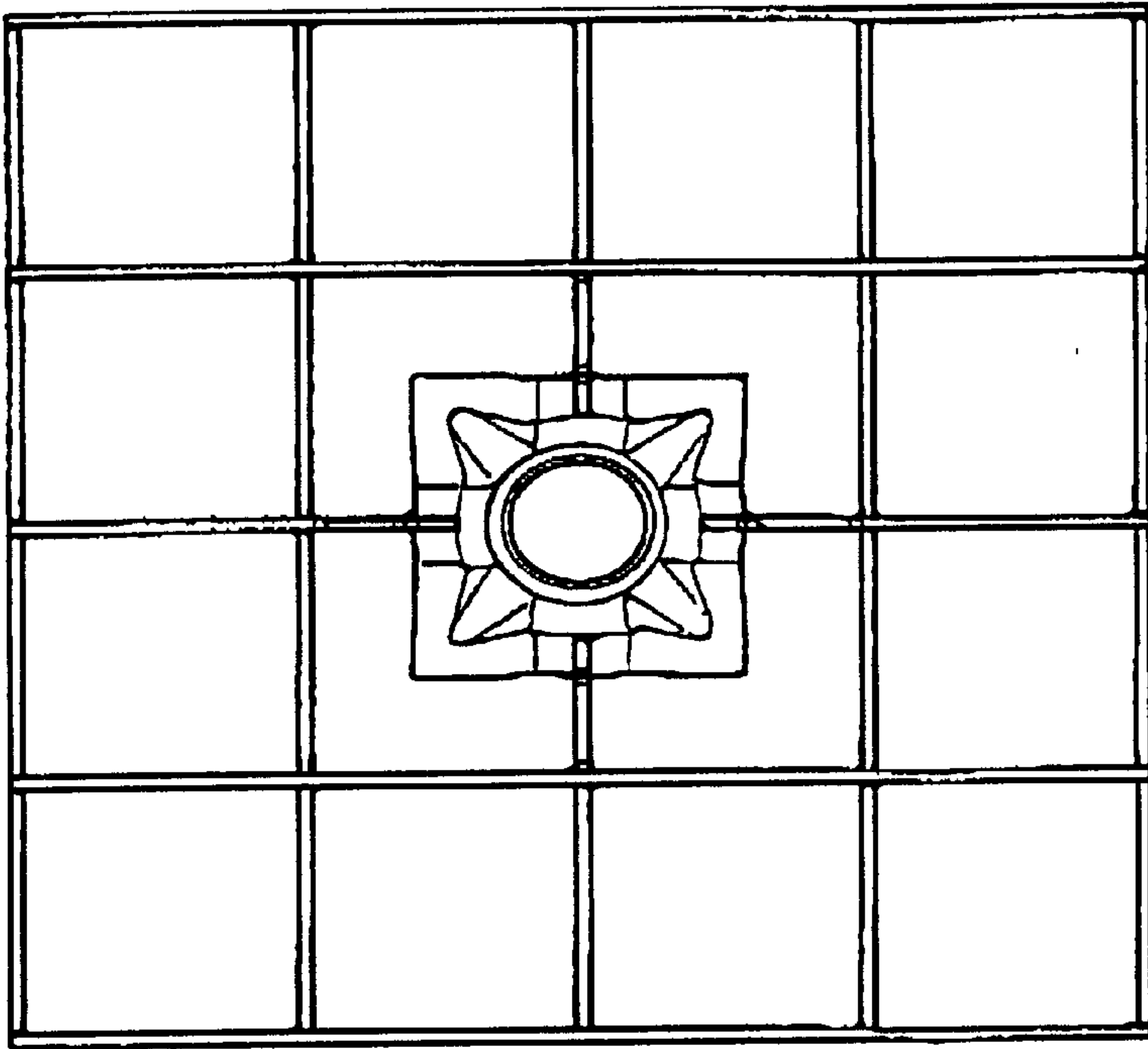


FIG. 3



FIG. 4



FIG. 5