



US00D470039S

(12) **United States Design Patent**  
**Pelc**

(10) **Patent No.:** **US D470,039 S**

(45) **Date of Patent:** **\*\* Feb. 11, 2003**

(54) **FASTENING BISCUIT**

(76) **Inventor:** **Robert J. Pelc**, 980 Ridge Rd.,  
Lackawanna, NY (US) 14218

(\*\*) **Term:** **14 Years**

(21) **Appl. No.:** **29/148,590**

(22) **Filed:** **Sep. 24, 2001**

(51) **LOC (7) Cl.** ..... **08-08**

(52) **U.S. Cl.** ..... **D8/382**

(58) **Field of Search** ..... D8/382, 350, 352;  
403/231, 232.2, 408.1; 52/483.1, 506.05,  
586.1, 586.2, 585.1, 772

(56) **References Cited**

**U.S. PATENT DOCUMENTS**

4,373,829	A	*	2/1983	Braxell	.....	403/292
5,458,433	A	*	10/1995	Stastny	.....	403/408.1
5,529,428	A	*	6/1996	Bischof	.....	403/408.1
5,730,544	A	*	3/1998	Dils et al.	.....	403/13
D455,640	S	*	4/2002	Hansen	.....	D8/306
6,402,415	B1	*	6/2002	Eberle, III	.....	403/231

\* cited by examiner

*Primary Examiner*—Alan P. Douglas

*Assistant Examiner*—Clare E Heflin

(57) **CLAIM**

The ornamental design for a fastening biscuit, as shown and described.

**DESCRIPTION**

FIG. 1, is a top right side perspective view of a fastening biscuit, showing my new design, the top left side perspective view being a mirror image thereof.

FIG. 2, is a top plan view of the fastening biscuit of FIG. 1. FIG. 3, is a front elevational view of the fastening biscuit of FIG. 1, the rear elevational view being a mirror image thereof.

FIG. 4, is a right side elevational view of the fastening biscuit of FIG. 1, the left side elevational view being a mirror image thereof.

FIG. 5, is a bottom plan view of the fastening biscuit of FIG. 1.

FIG. 6, is a top right side perspective view of a fastening biscuit, showing a second embodiment of my new design, the top left side perspective view being a mirror image thereof.

FIG. 7, is a top plan view of the fastening biscuit of FIG. 6. FIG. 8, is a front elevational view of the fastening biscuit of FIG. 6, the rear elevational view being a mirror image thereof.

FIG. 9, is a right side elevational view of the fastening biscuit of FIG. 6, the left side elevational view being a mirror image thereof; and,

FIG. 10, is a bottom plan view of the fastening biscuit of FIG. 6.

**1 Claim, 6 Drawing Sheets**

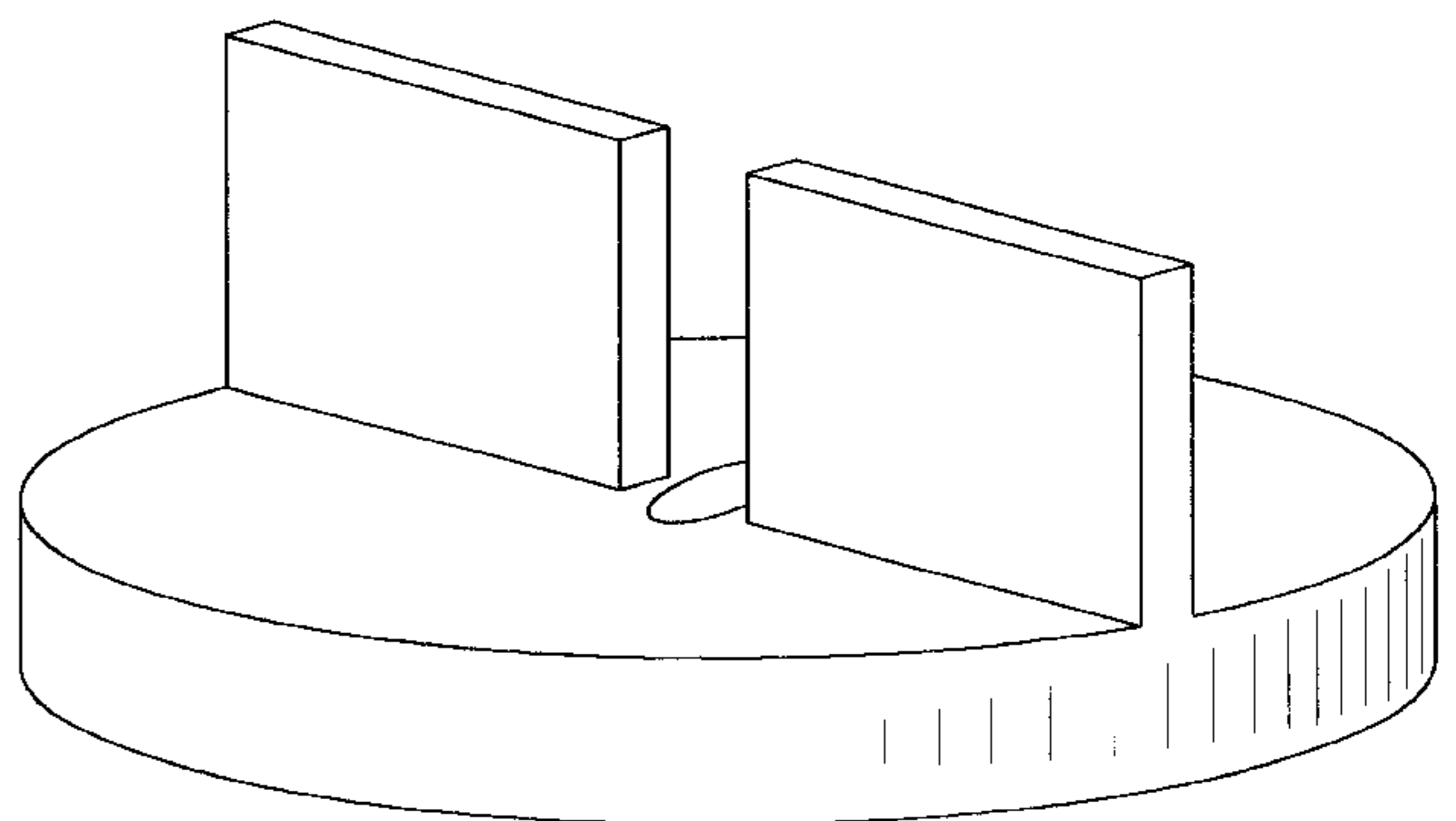
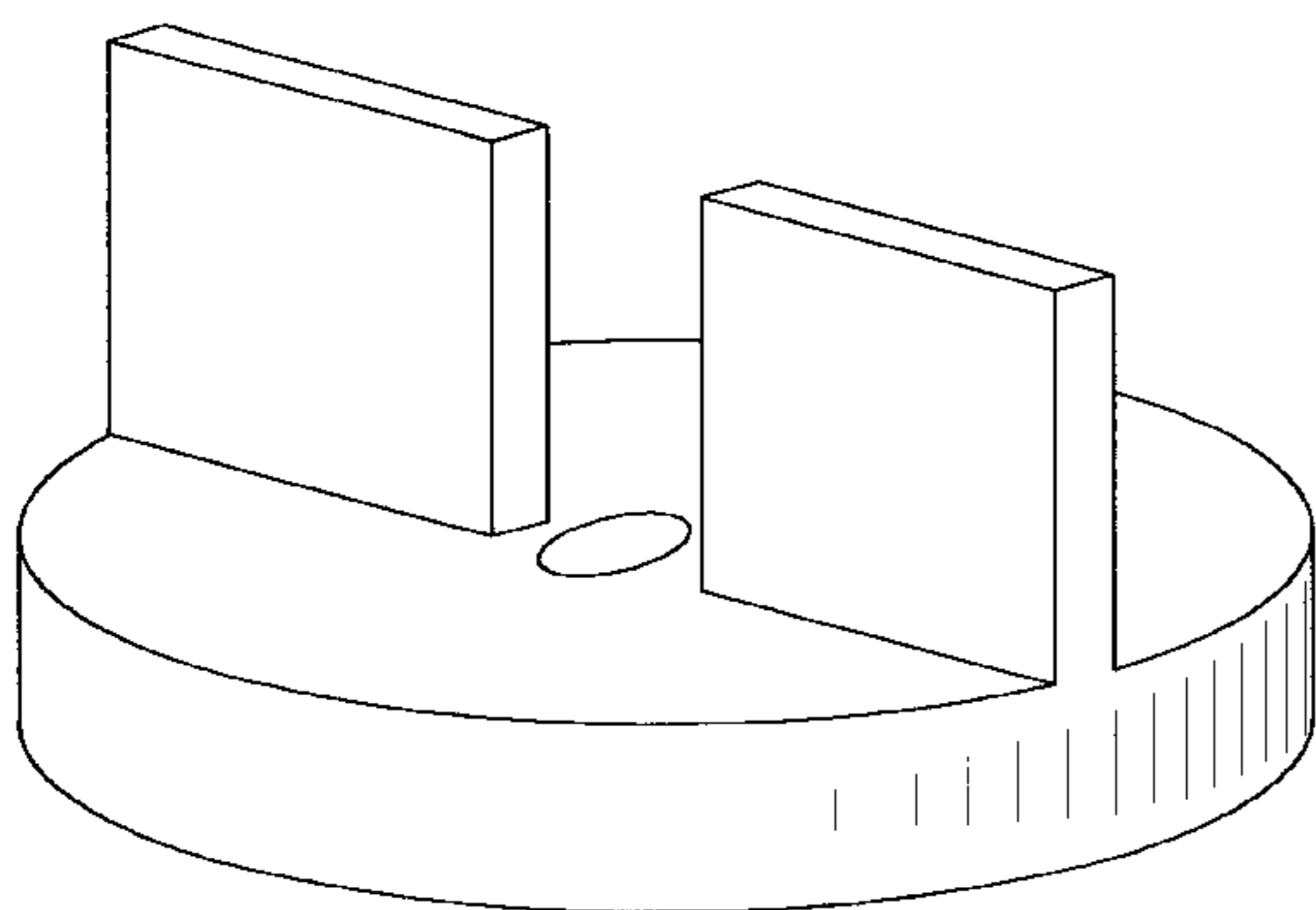


Fig. 1

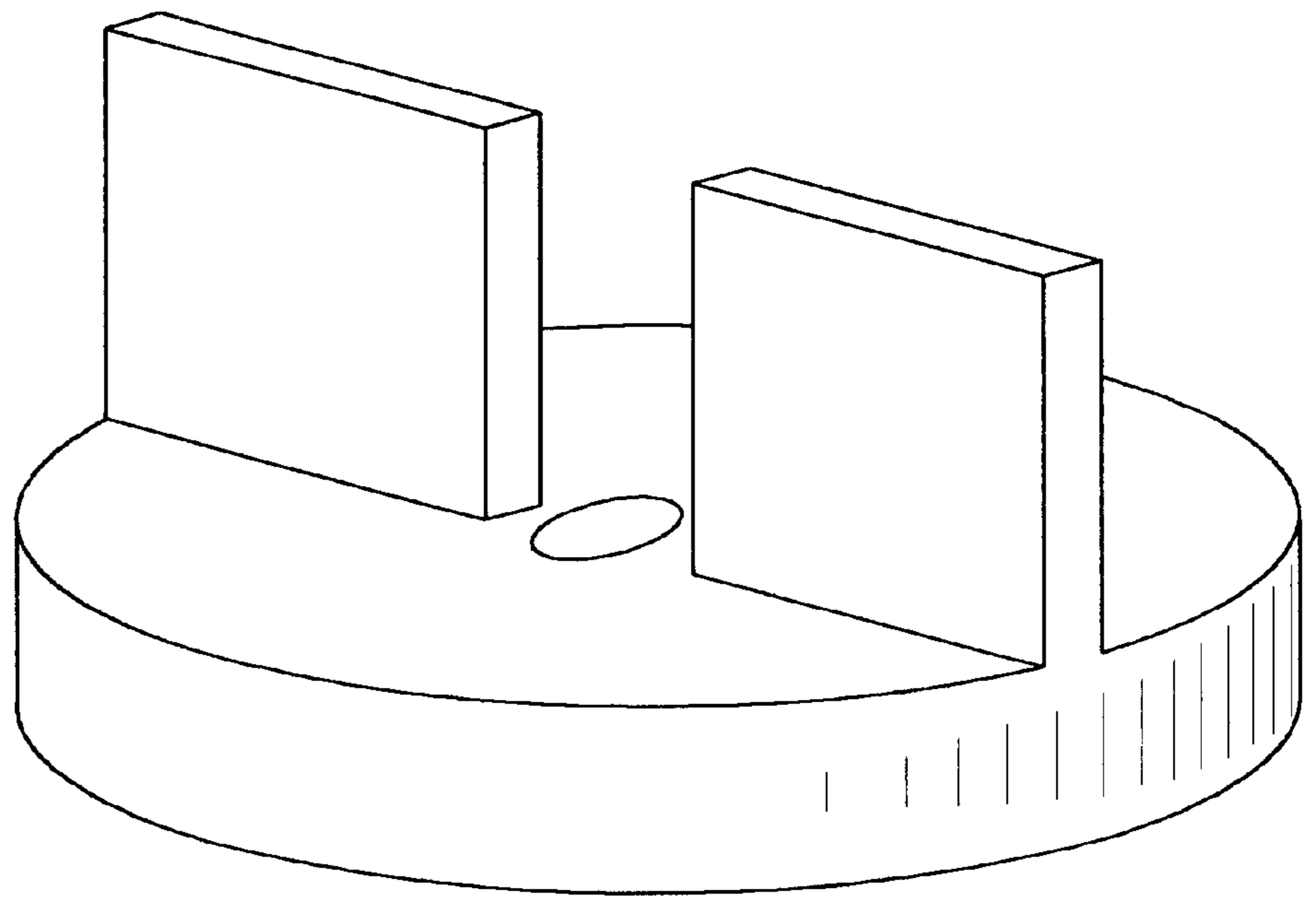


Fig. 2

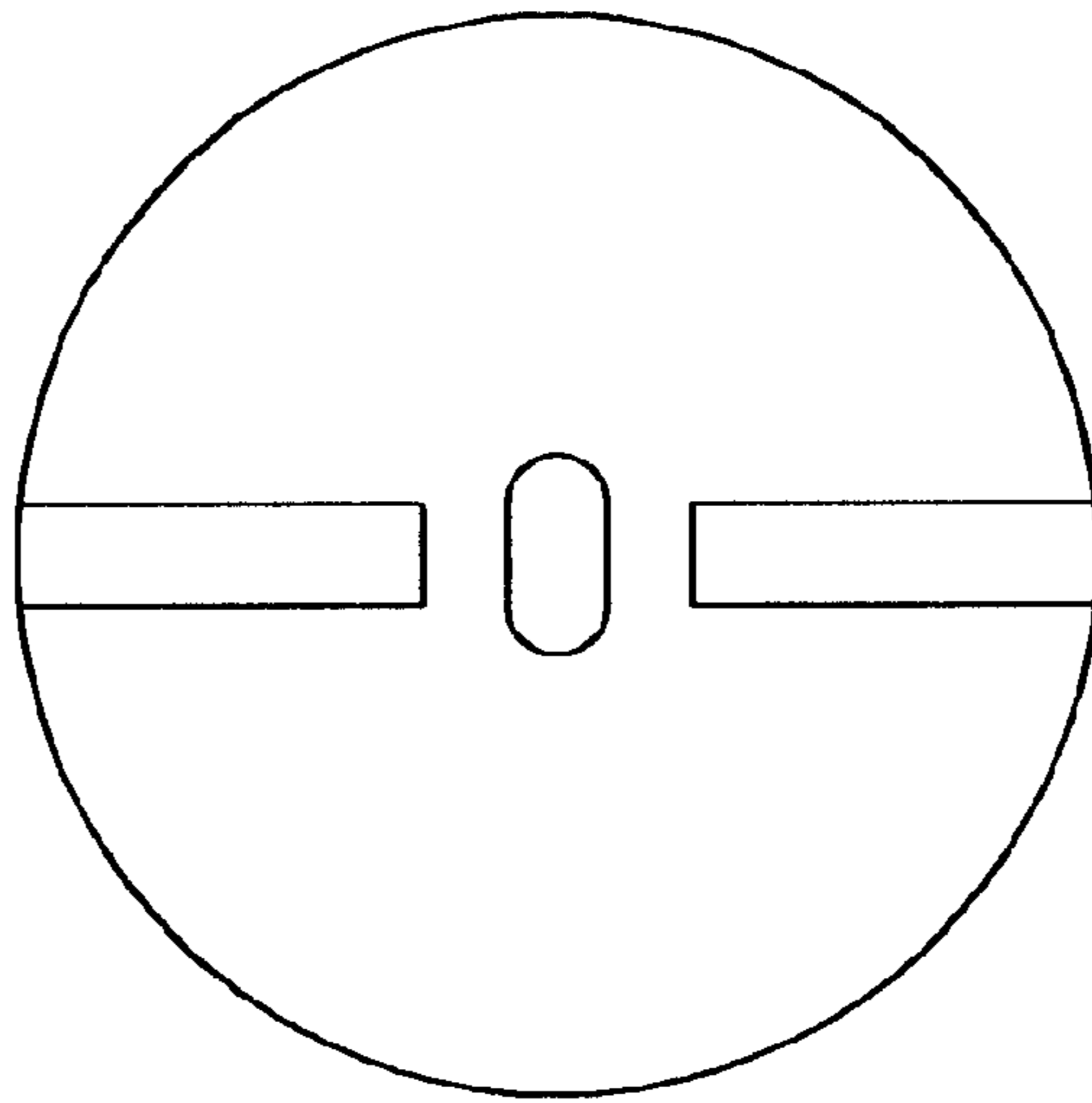


Fig. 3

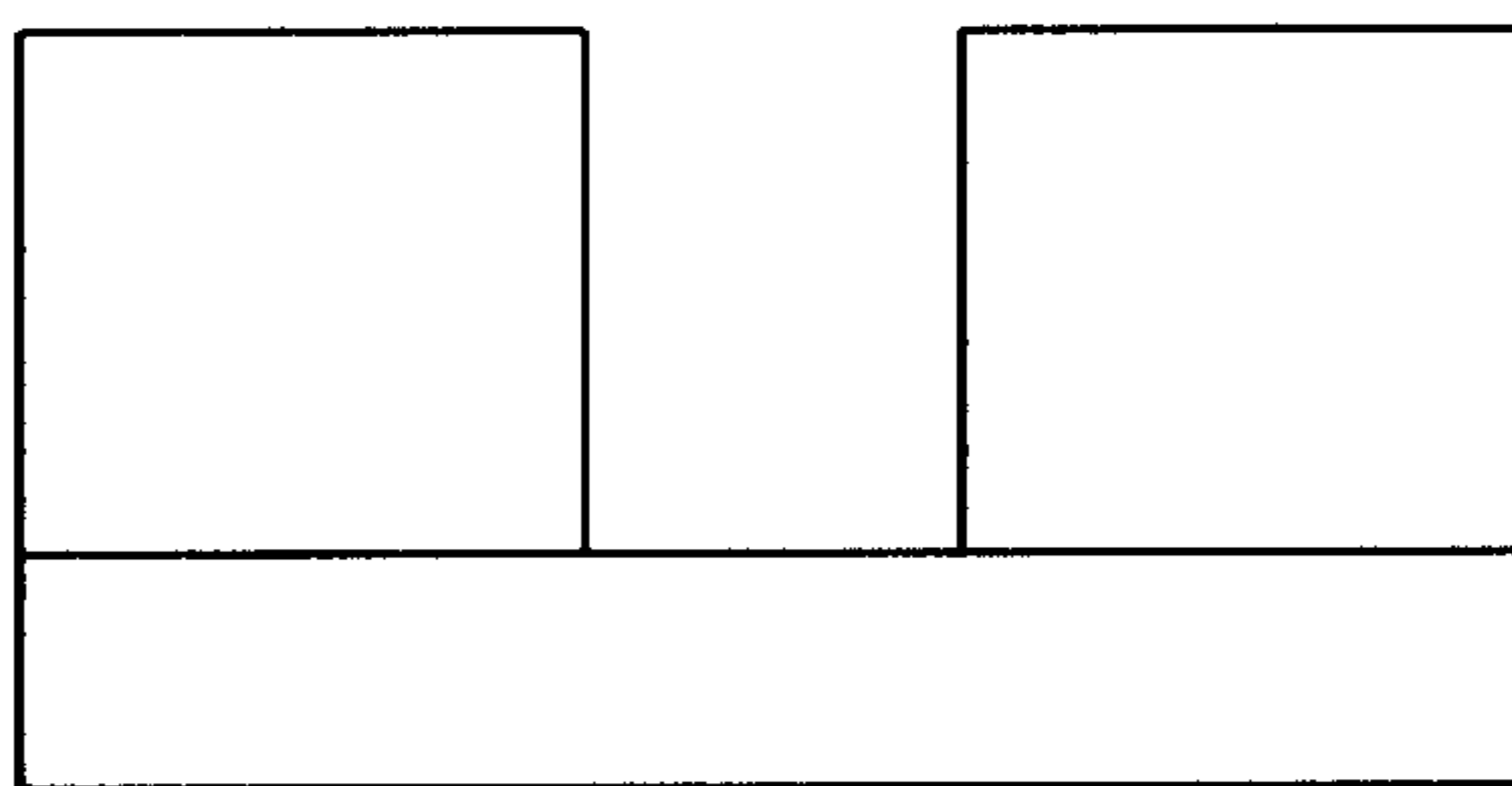


Fig. 4

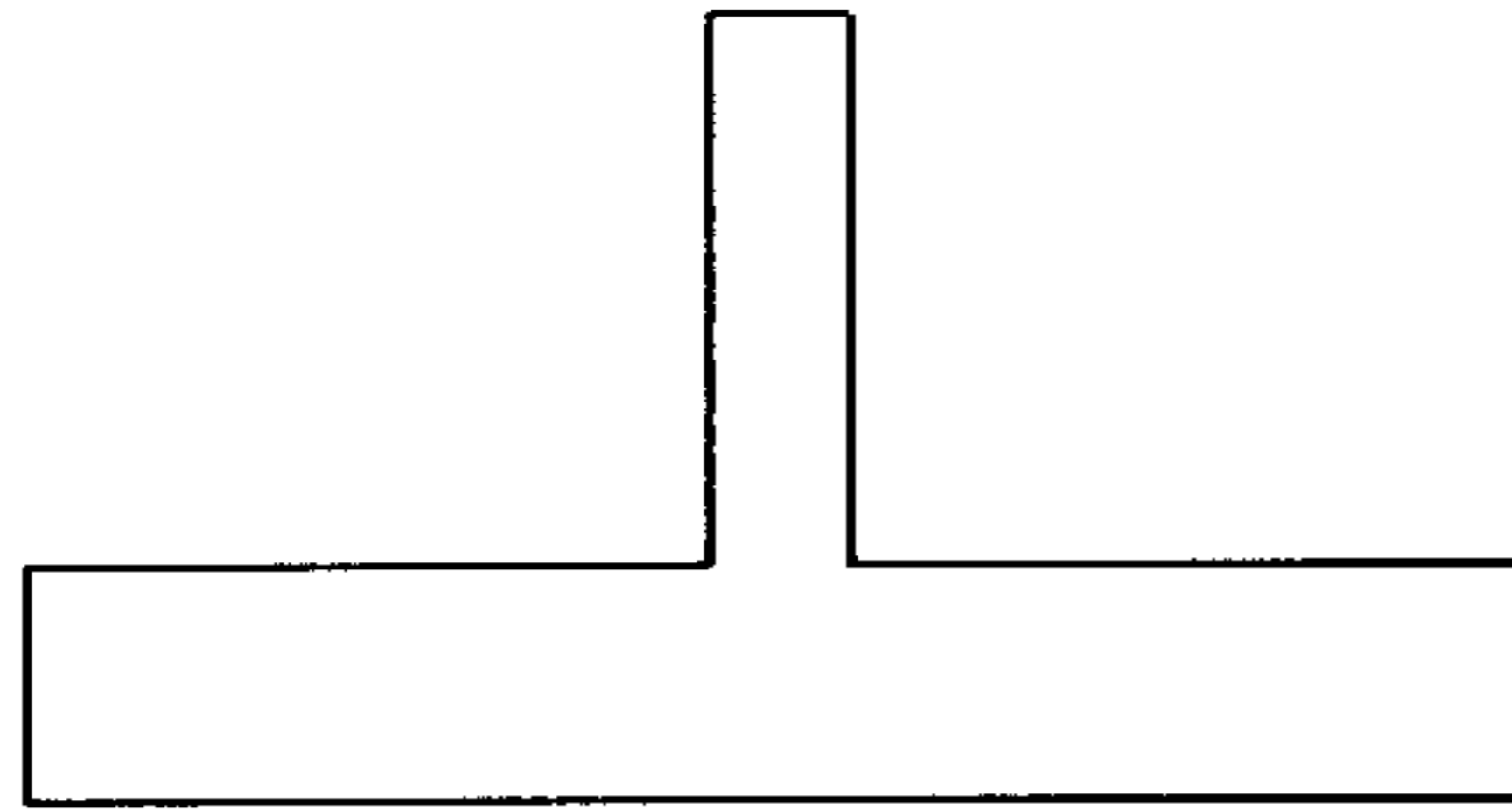


Fig. 5

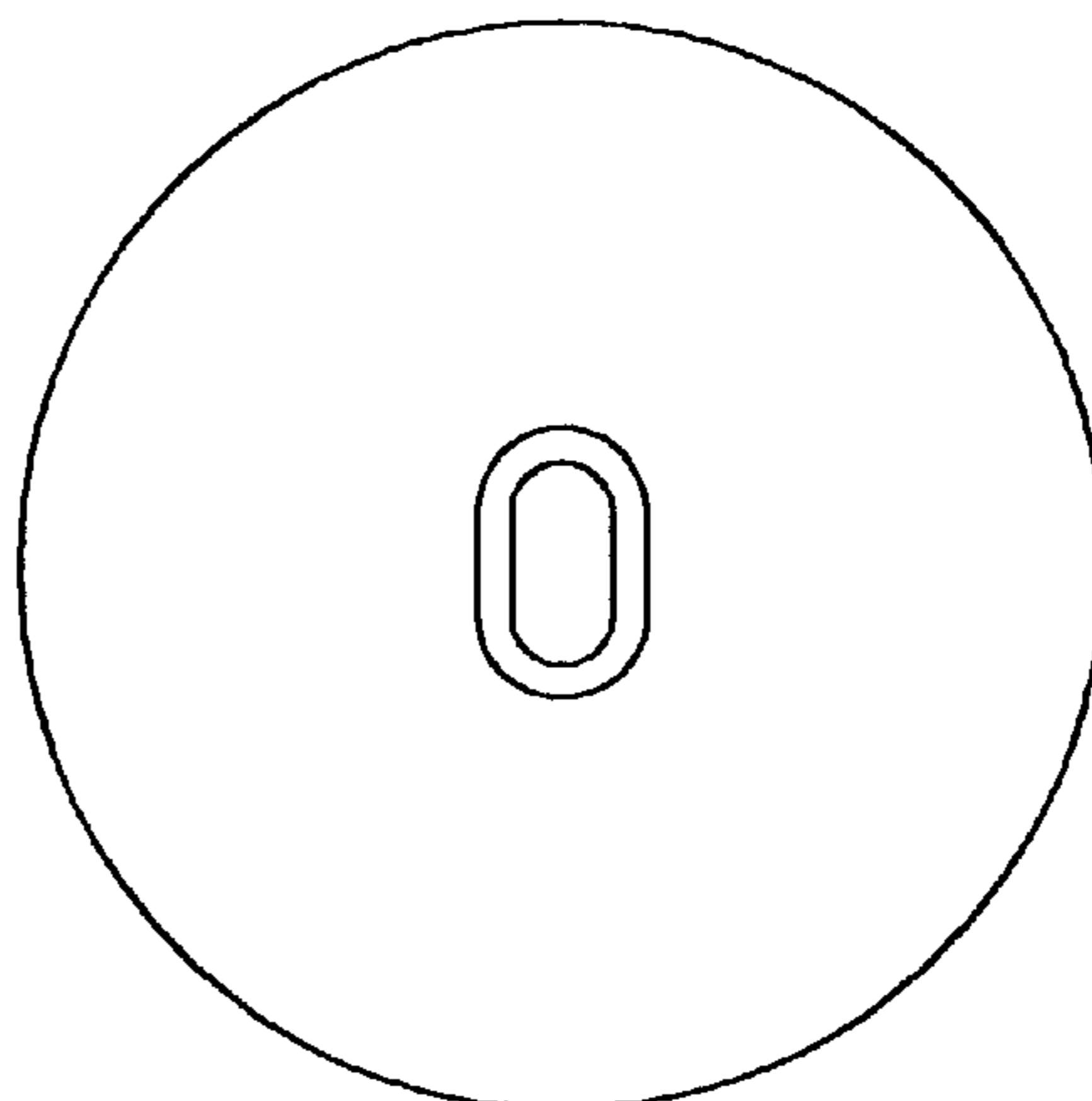


Fig. 6

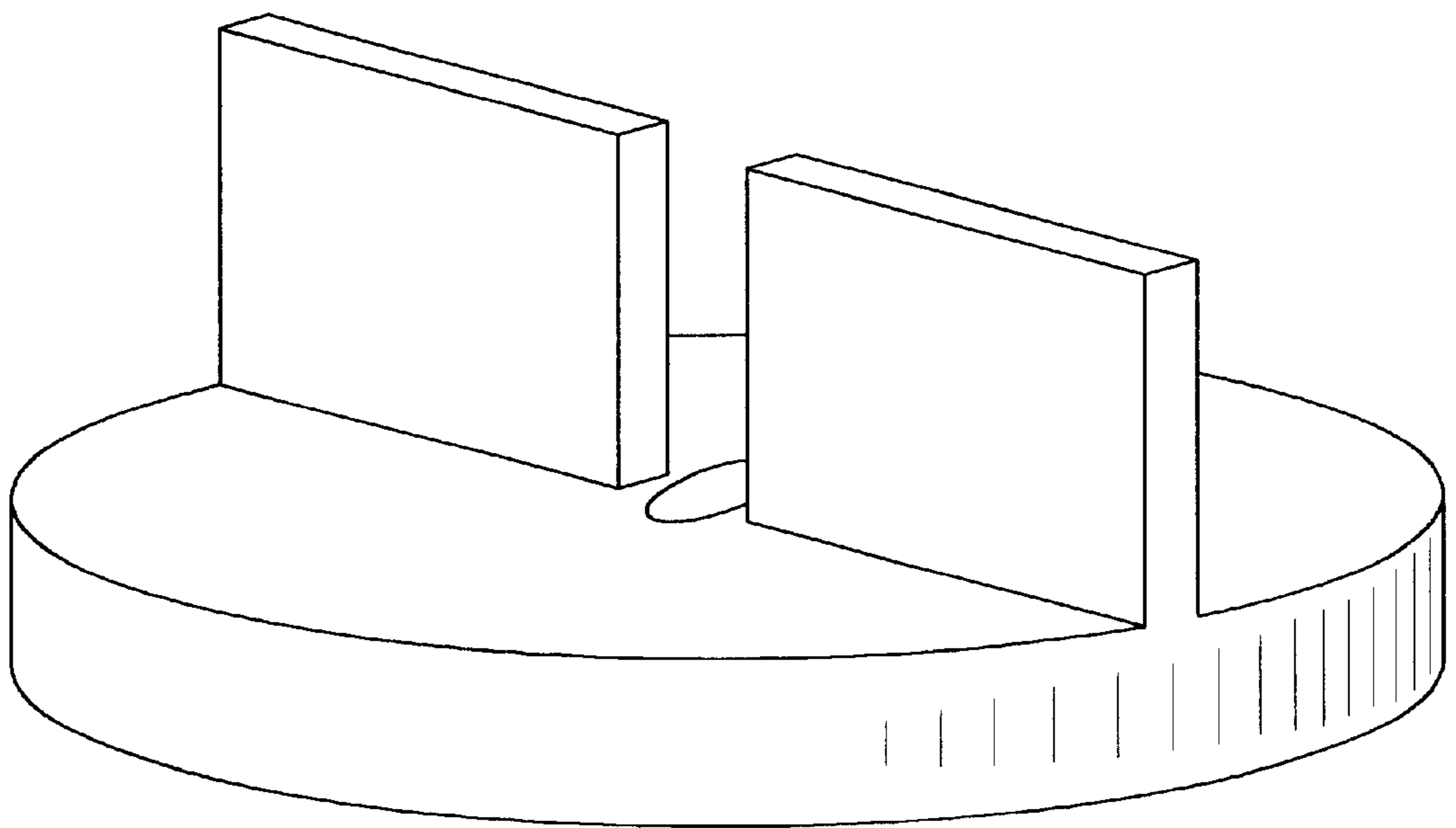


Fig. 7

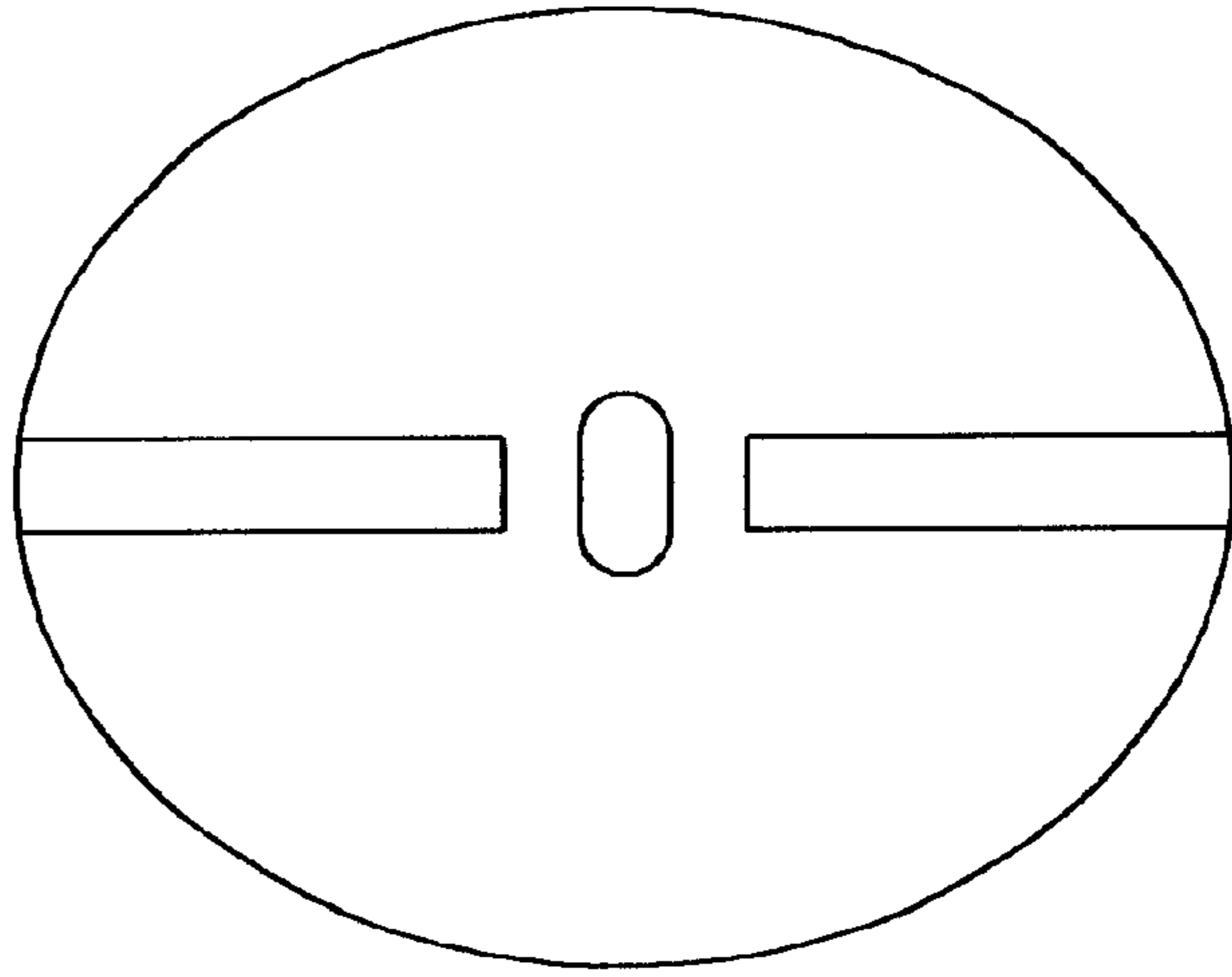


Fig. 8

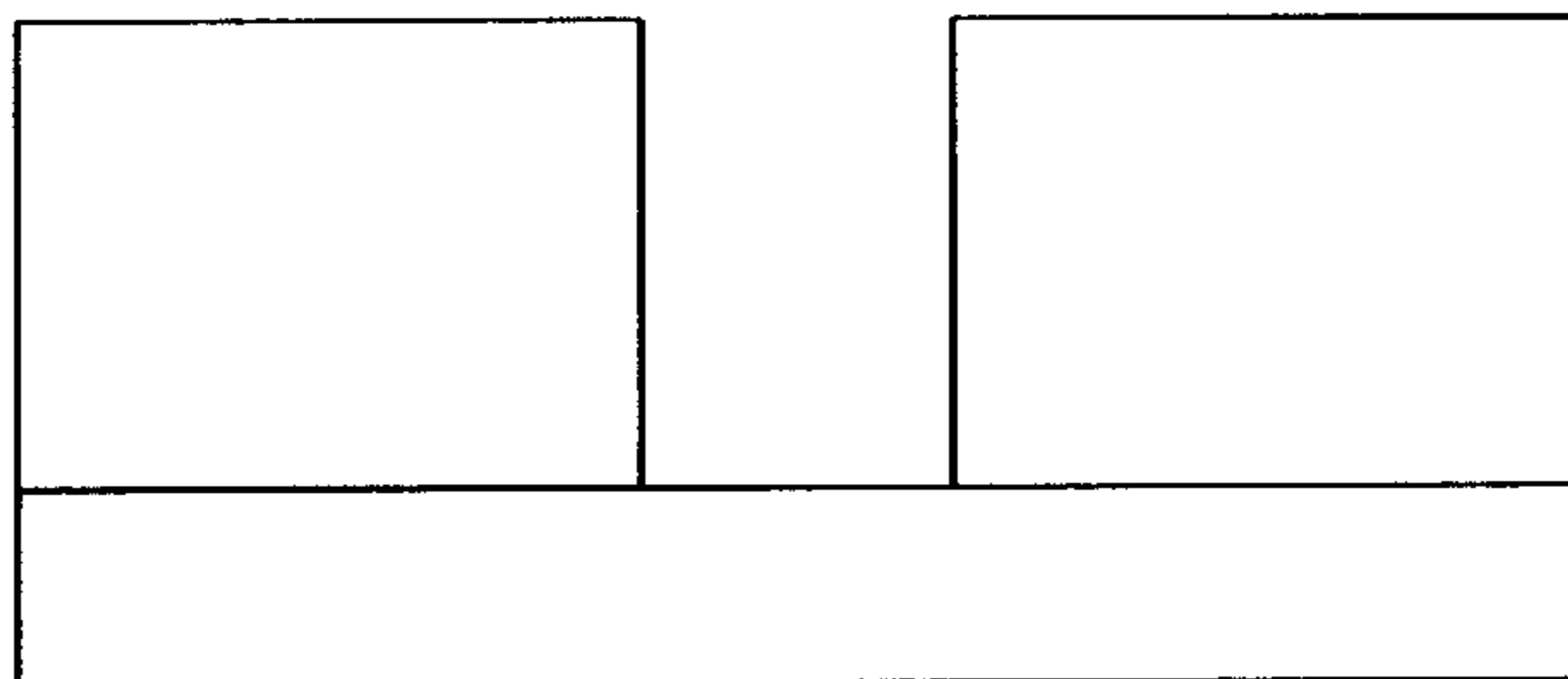


Fig. 9

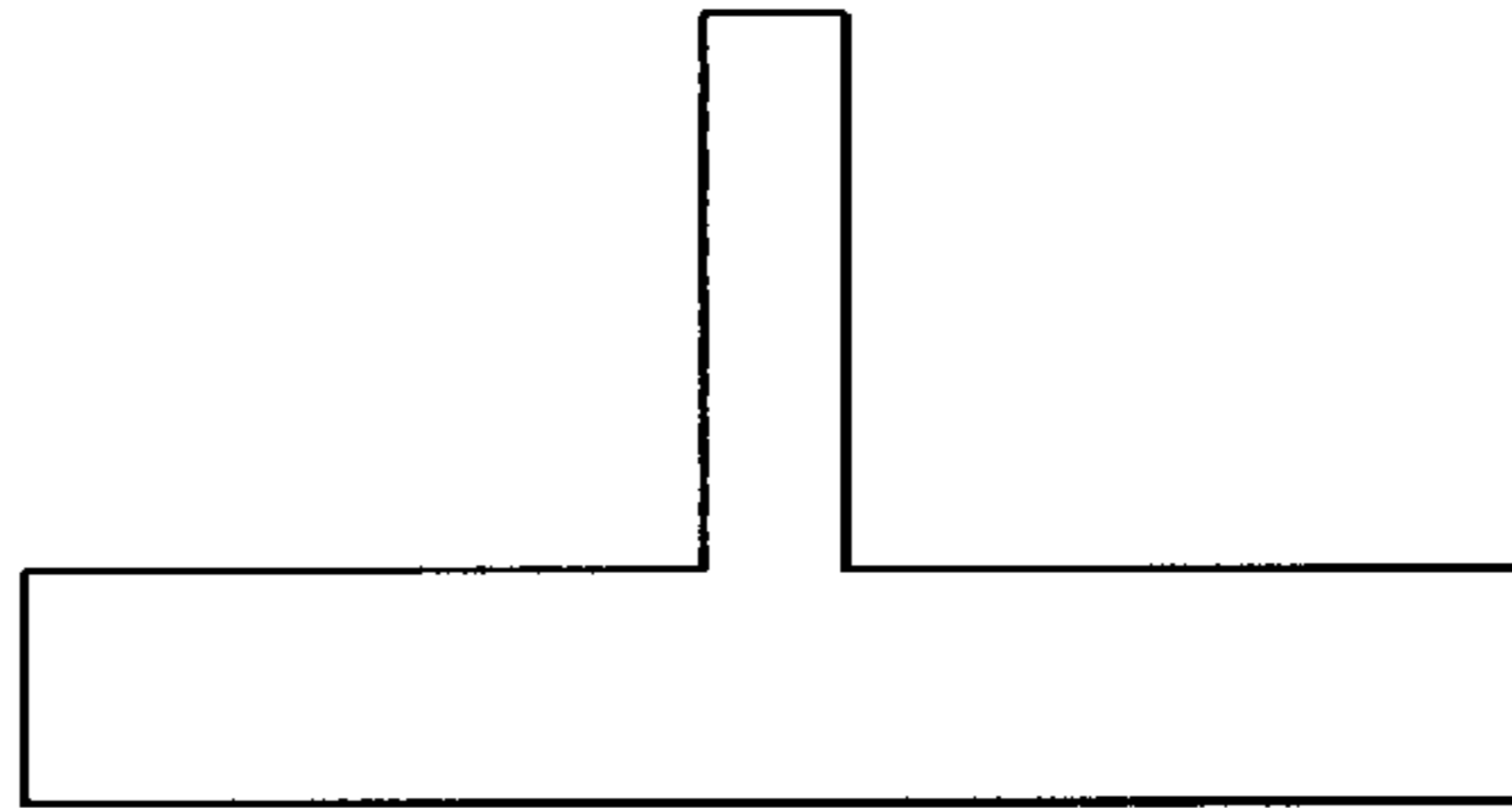


Fig. 10

