



US00D470038S

(12) **United States Design Patent**
Lapp, Jr. et al.

(10) **Patent No.:** **US D470,038 S**

(45) **Date of Patent:** **** Feb. 11, 2003**

(54) **SUPPORT COLUMN BASE PLATE**

(76) Inventors: **John K. Lapp, Jr.**, 622 N. Shirk Rd.,
New Holland, PA (US) 17557; **Reuben**
B. Lapp, 205 Linden Grove Rd., New
Holland, PA (US) 17557

(**) Term: **14 Years**

(21) Appl. No.: **29/159,635**

(22) Filed: **Apr. 26, 2002**

(51) **LOC (7) Cl.** **08-05**

(52) **U.S. Cl.** **D8/374; D8/363; D8/380**

(58) **Field of Search** D8/366, 381, 376,
D8/373, 374, 363; 248/519, 254, 251, 261,
262, 268, 916, 235, 200.1, 346.01; 211/162,
123; 312/334.4; 52/736.4, 737.5; 160/330;
4/558

(56) **References Cited**

U.S. PATENT DOCUMENTS

D112,622 S * 12/1938 Steiner D8/371

3,266,255 A * 8/1966 Dougherty 29/525
5,022,104 A * 6/1991 Miller 160/330
5,826,847 A * 10/1998 Warner et al. 248/200.1
6,302,502 B1 * 10/2001 Larsen, Jr. 211/123
6,336,620 B1 * 1/2002 Belli 248/346.01

* cited by examiner

Primary Examiner—Pamela Burgess

(74) *Attorney, Agent, or Firm*—William B. Noll

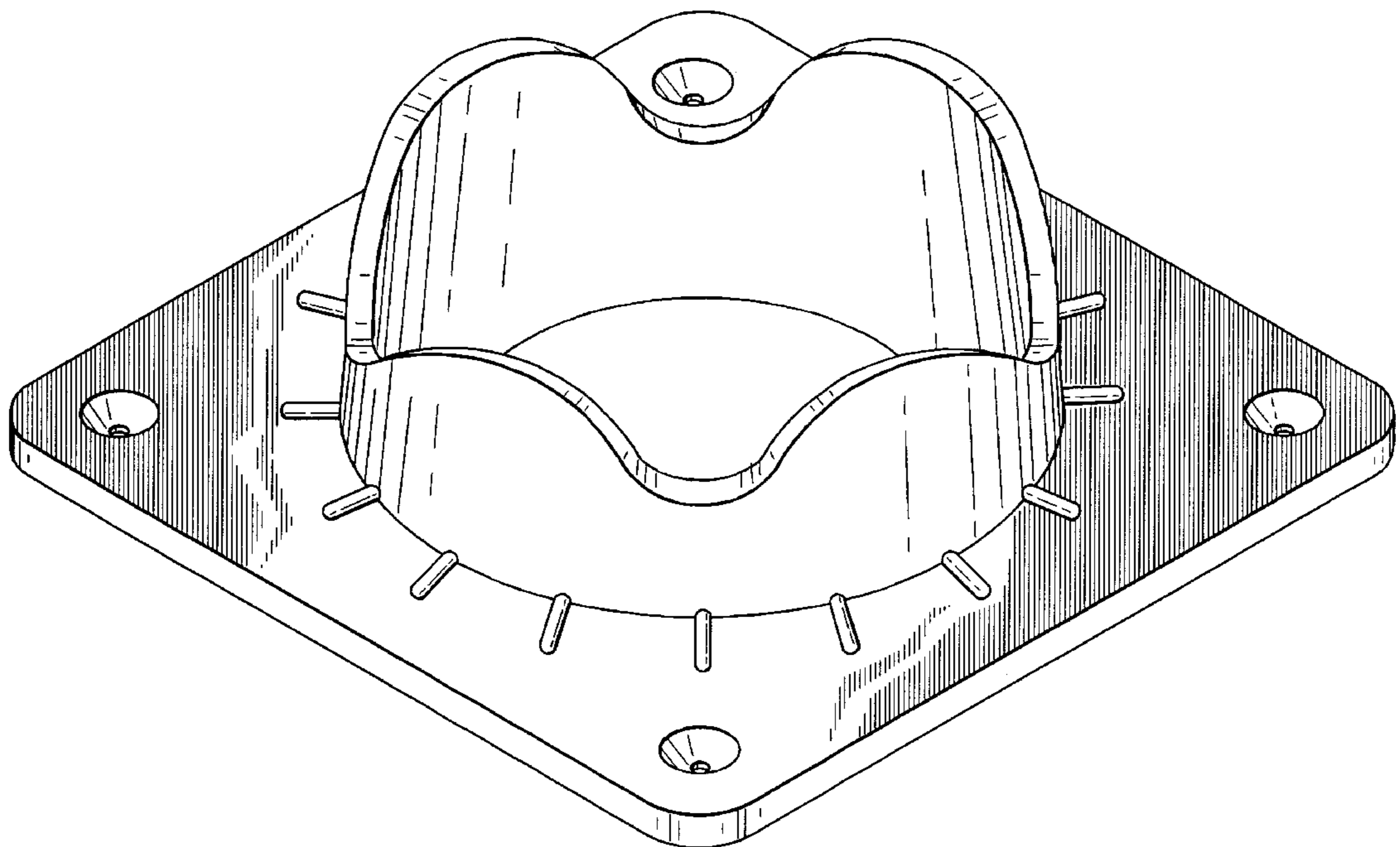
(57) **CLAIM**

We claim the ornamental design for a support column base plate, as shown and described.

DESCRIPTION

FIG. 1 is a perspective view of the support column base plate according to the present invention;
FIG. 2 is a reduced scale top plan view thereof;
FIG. 3 is a side elevation view thereof, where the front, rear and opposite side views are mirror images thereof; and,
FIG. 4 is a bottom plan view thereof.

1 Claim, 2 Drawing Sheets



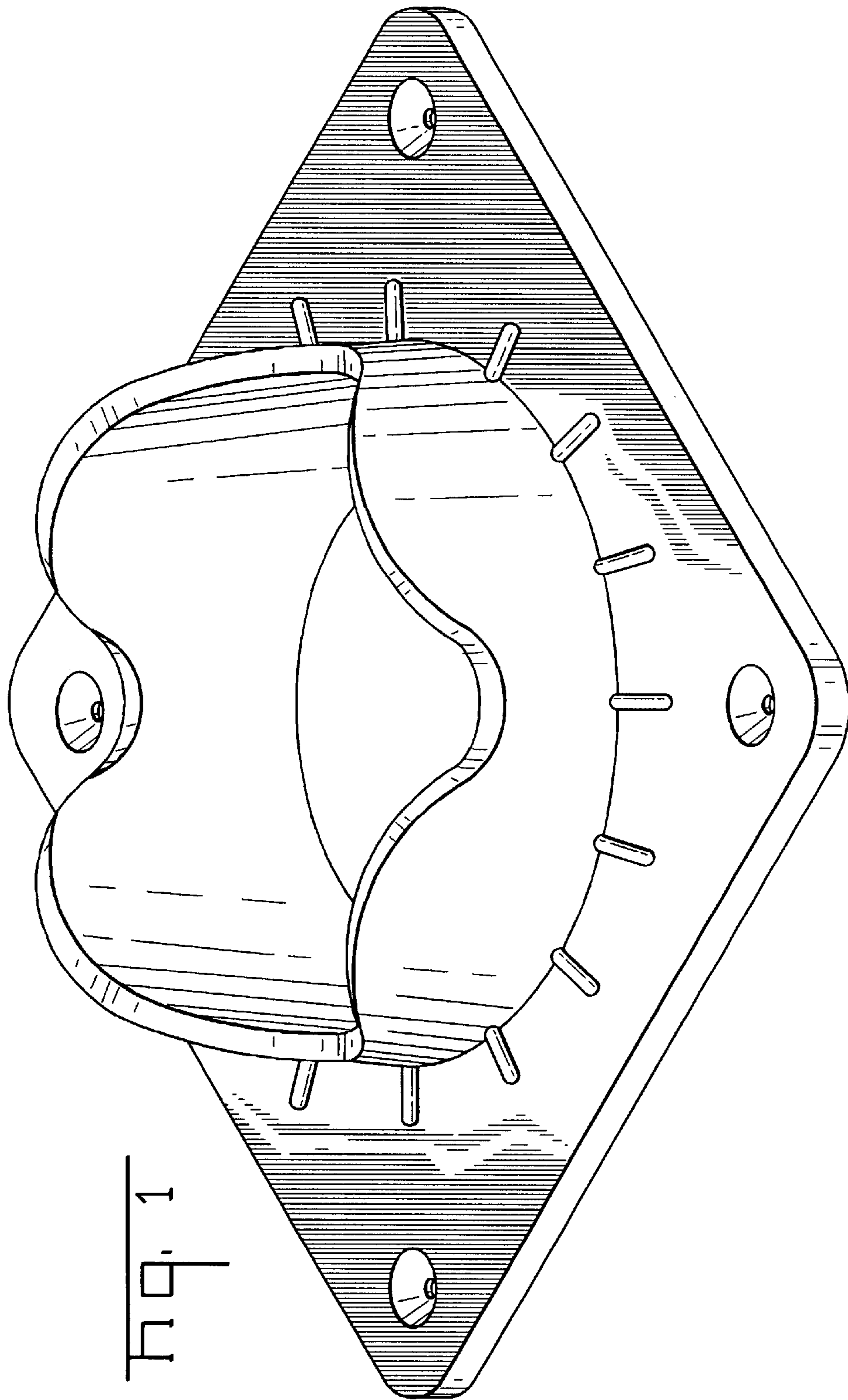


Fig. 1

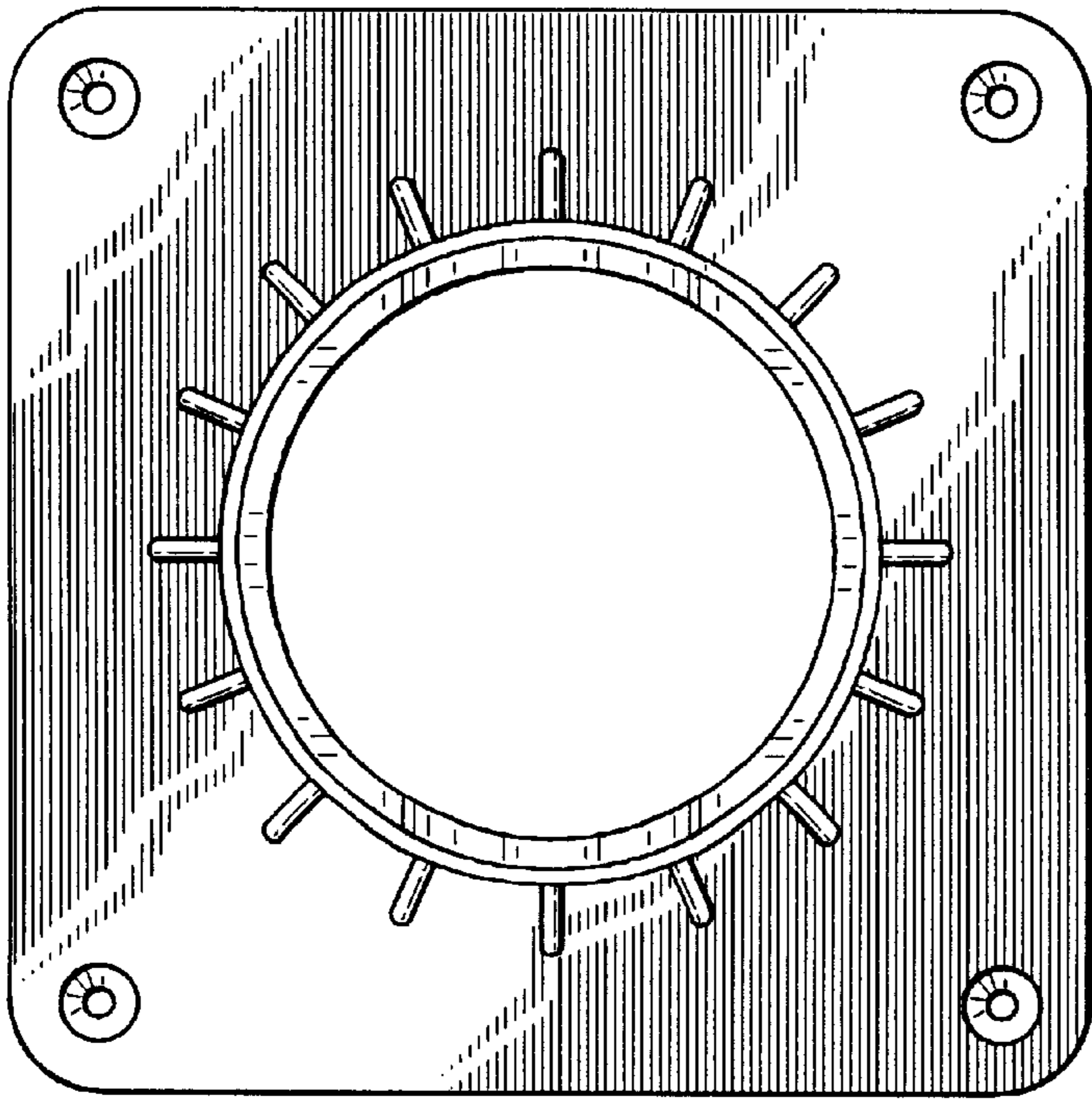


Fig. 2

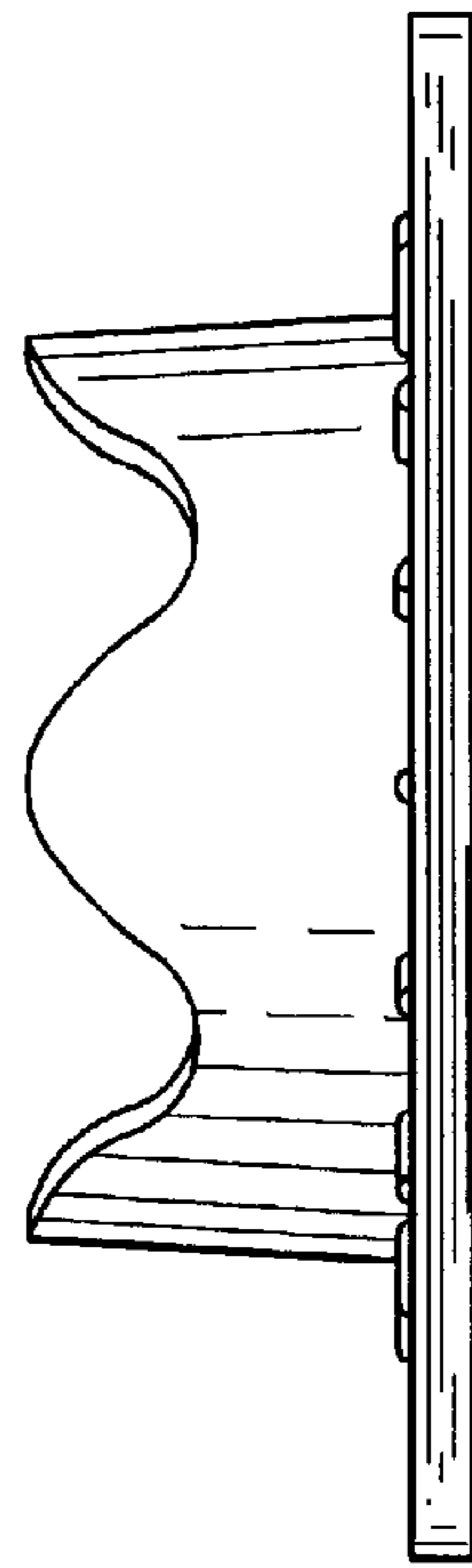


Fig. 3

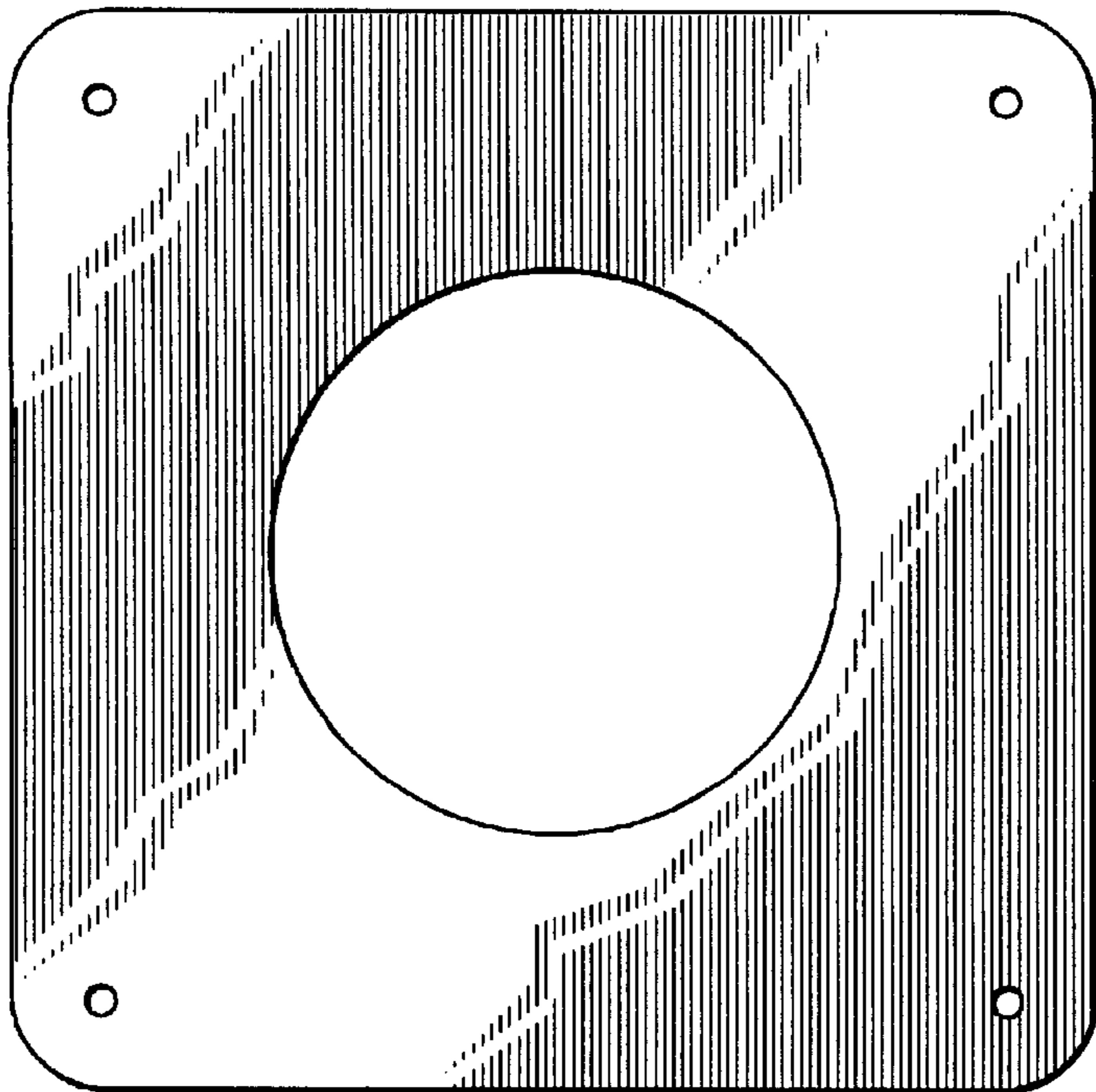


Fig. 4