



US00D470036S

(12) **United States Design Patent**
Rehmert et al.

(10) **Patent No.:** **US D470,036 S**

(45) **Date of Patent:** **** Feb. 11, 2003**

(54) **SHEPHERD'S HOOK**

D423,915 S * 5/2000 Rehmert et al. D8/367
D424,912 S * 5/2000 Rehmert et al. D8/367

(76) Inventors: **Rory S. Rehmert**, P.O. Box 1357,
Birmingham, AL (US) 35201; **Timothy M. Le Roy**, P.O. Box 1357,
Birmingham, AL (US) 35201; **D. Mike Howell**, P.O. Box 1357, Birmingham,
AL (US) 35201; **Jackie Hogan**, P.O. Box 1357, Birmingham, AL (US)
35201; **James Kemp**, P.O. Box 1357,
Birmingham, AL (US) 35201

* cited by examiner

Primary Examiner—Pamela Burgess

(57) **CLAIM**

The ornamental design for a shepherd's hook, as shown and described.

DESCRIPTION

FIG. 1 is an isometric view of a shepherd's hook showing our new design;
FIG. 2 is an enlarged isometric view of the bottom section thereof, shown separately for clarity of disclosure;
FIG. 3 is a front view thereof;
FIG. 4 is a side elevation view, the opposite side view being a mirror image thereof.
FIG. 5 is a top view thereof; and,
FIG. 6 is a bottom view thereof.

(**) Term: **14 Years**

(21) Appl. No.: **29/126,119**

(22) Filed: **Jun. 29, 2000**

(51) **LOC (7) Cl.** **08-05**

(52) **U.S. Cl.** **D8/367**

(58) **Field of Search** D8/367, 370; D6/404;
D7/300.2; 248/302, 303, 339, 213.3; 52/685,
719; 239/33

(56) **References Cited**

U.S. PATENT DOCUMENTS

D253,277 S * 10/1979 Hernsjo D8/370

1 Claim, 3 Drawing Sheets

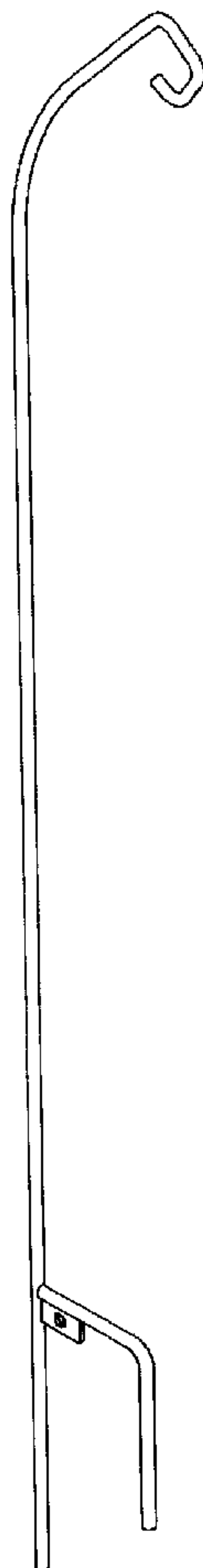




Fig. 1

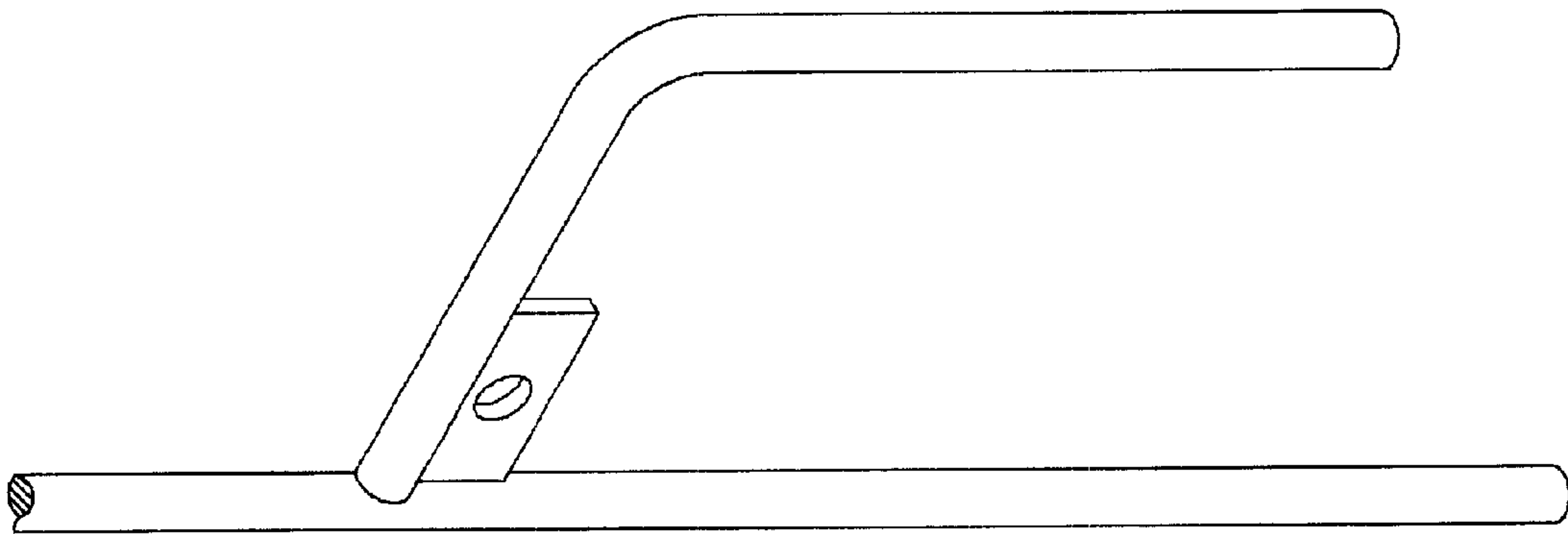


Fig. 2

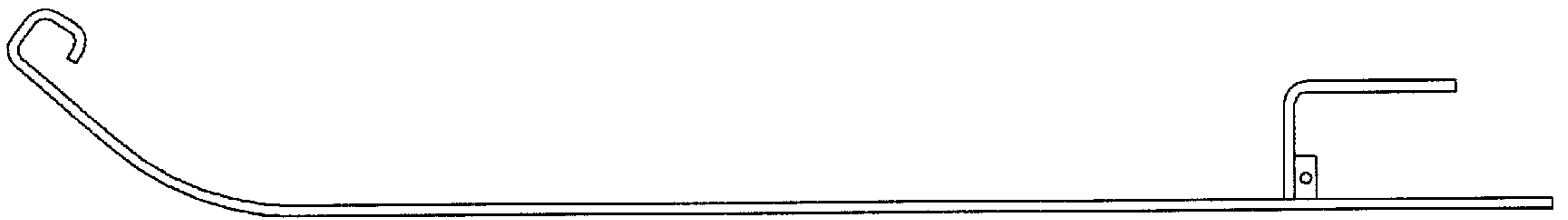


Fig. 3

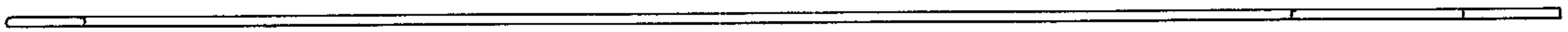


Fig. 4

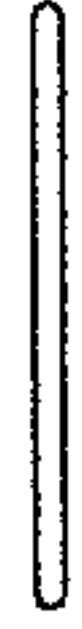


Fig. 5



Fig. 6