



US00D470035S

(12) **United States Design Patent**
Tisbo et al.

(10) **Patent No.:** **US D470,035 S**

(45) **Date of Patent:** **** Feb. 11, 2003**

(54) **HOSE GUIDE**

(75) Inventors: **Thomas A. Tisbo**, Barrington Hills, IL (US); **Torrence C. Anderson**, Aurora, IL (US); **Brian R. Moon**, DeKalb, IL (US)

(73) Assignee: **Suncast Corporation**, Batavia, IL (US)

(**) Term: **14 Years**

(21) Appl. No.: **29/153,707**

(22) Filed: **Oct. 23, 2001**

(51) **LOC (7) Cl.** **08-05**

(52) **U.S. Cl.** **D8/356; D8/1**

(58) **Field of Search** D8/1, 349, 354, D8/356, 365; 52/156; 239/276, 273; 248/75, 76, 80, 82, 85, 87, 89, 156, 309.1

(56) **References Cited**

U.S. PATENT DOCUMENTS

3,249,337 A * 5/1966 Neumann 242/615.2
D218,177 S * 7/1970 Rogers D8/356

4,085,895 A * 4/1978 Curry et al. 239/276
D278,965 S * 5/1985 Morton D8/1
D368,515 S * 4/1996 Greubel D8/354
5,549,262 A * 8/1996 Whitehead 248/87
D404,981 S * 2/1999 Wu D8/1

* cited by examiner

Primary Examiner—Doris V. Coles

Assistant Examiner—Elizabeth A. Albert

(74) *Attorney, Agent, or Firm*—Welsh & Katz, Ltd.

(57) **CLAIM**

The ornamental design for a hose guide, as shown and described.

DESCRIPTION

FIG. 1 is a front perspective view of a hose guide showing our new design;

FIG. 2 is a top view of the hose guide;

FIG. 3 is a side view of the hose guide, all other side views being identical thereto; and,

FIG. 4 is a bottom view of the hose guide.

1 Claim, 1 Drawing Sheet

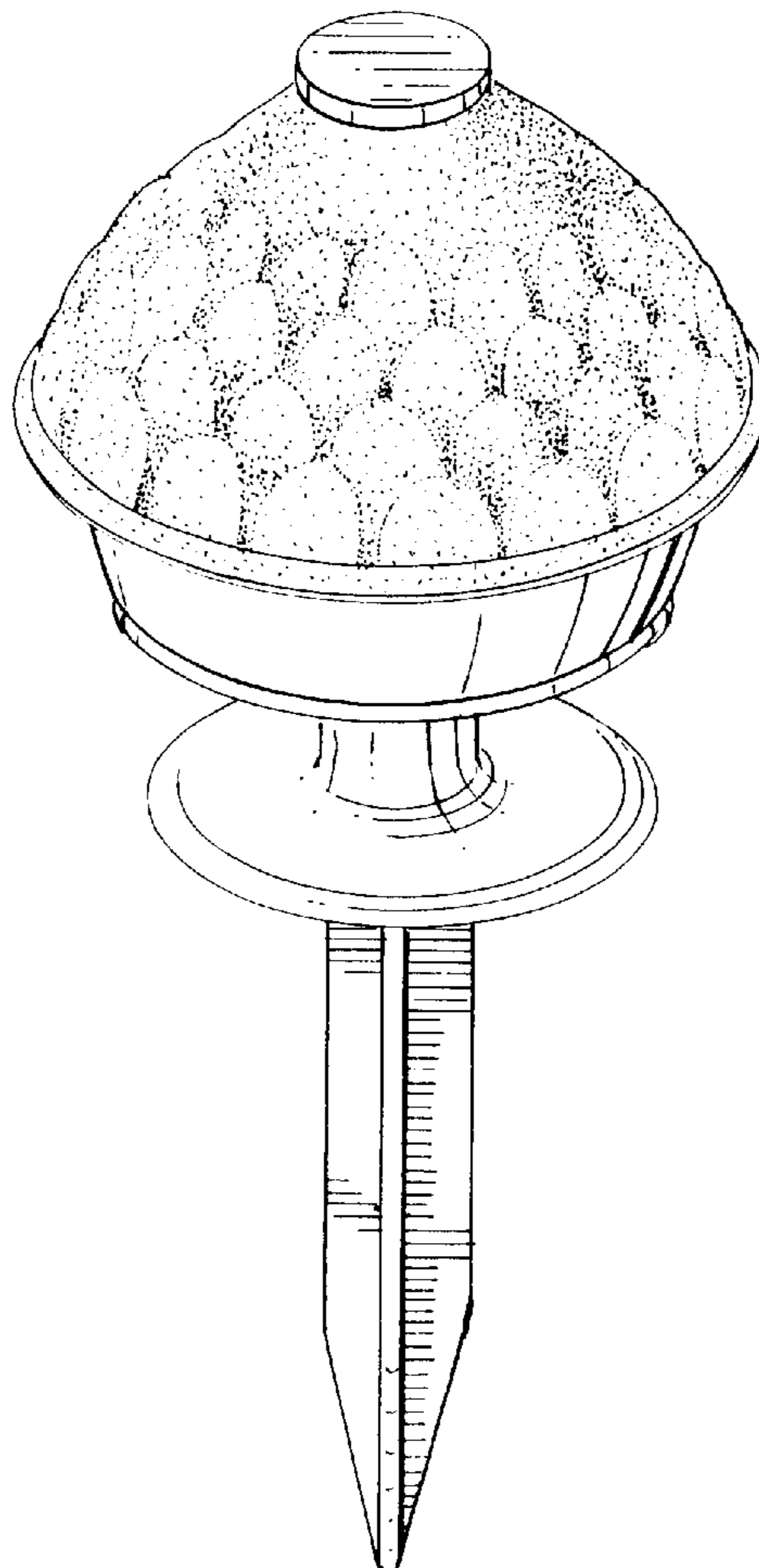


FIG. 1

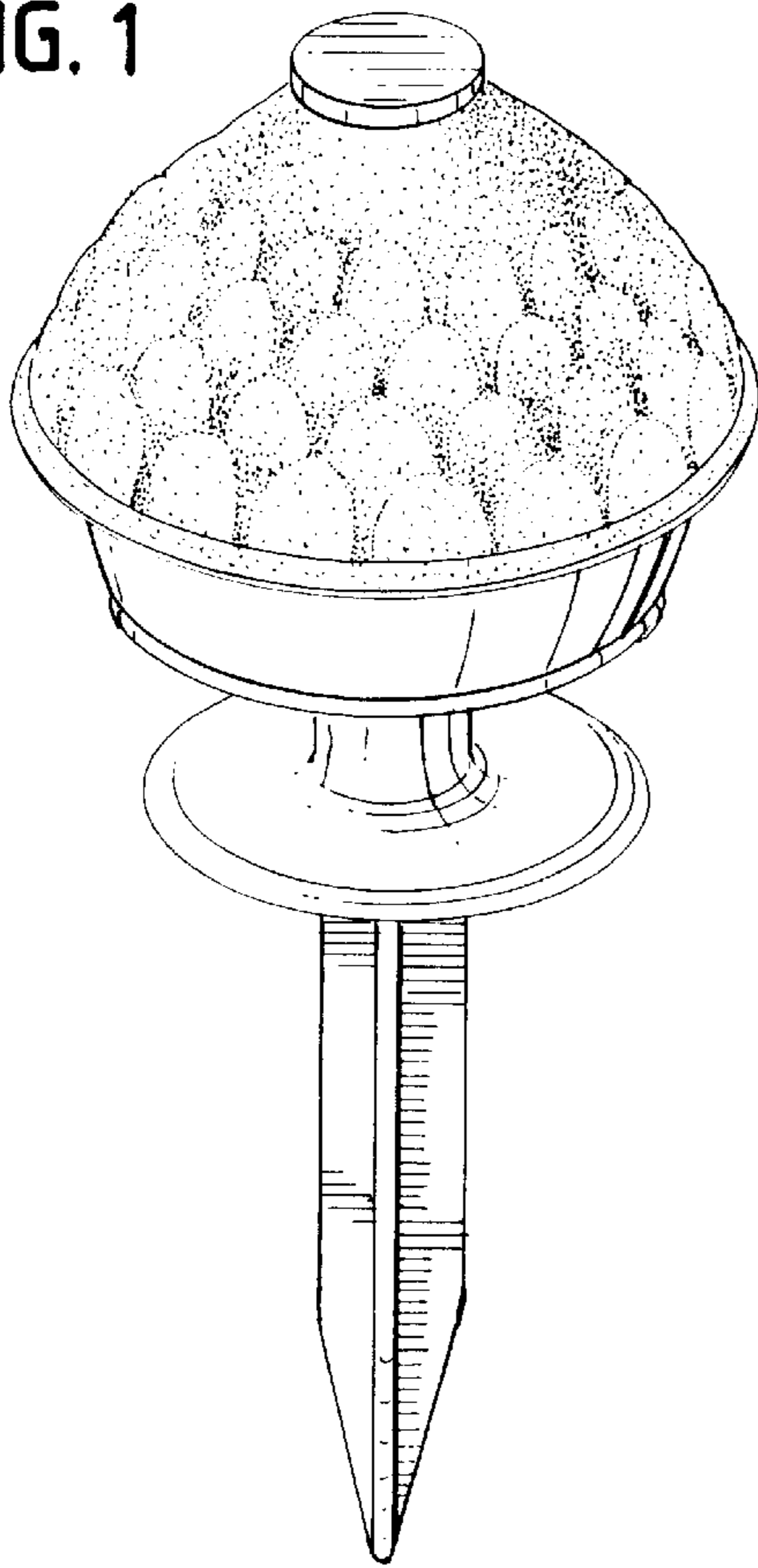


FIG. 3

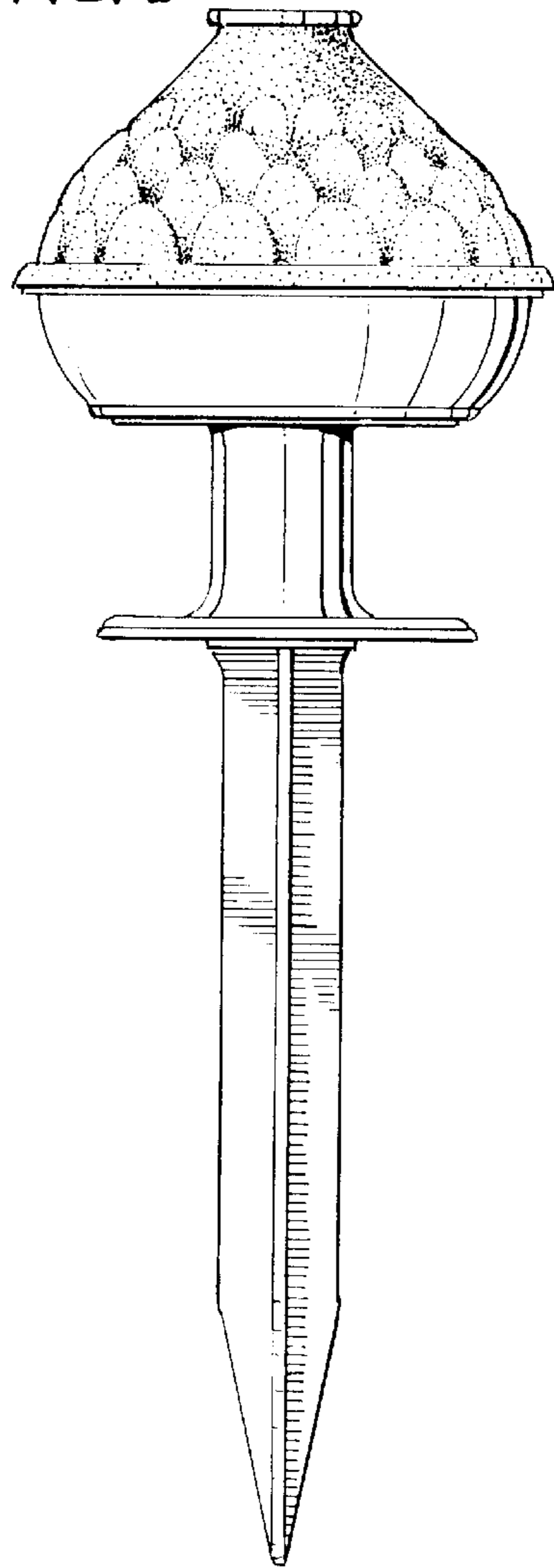


FIG. 2

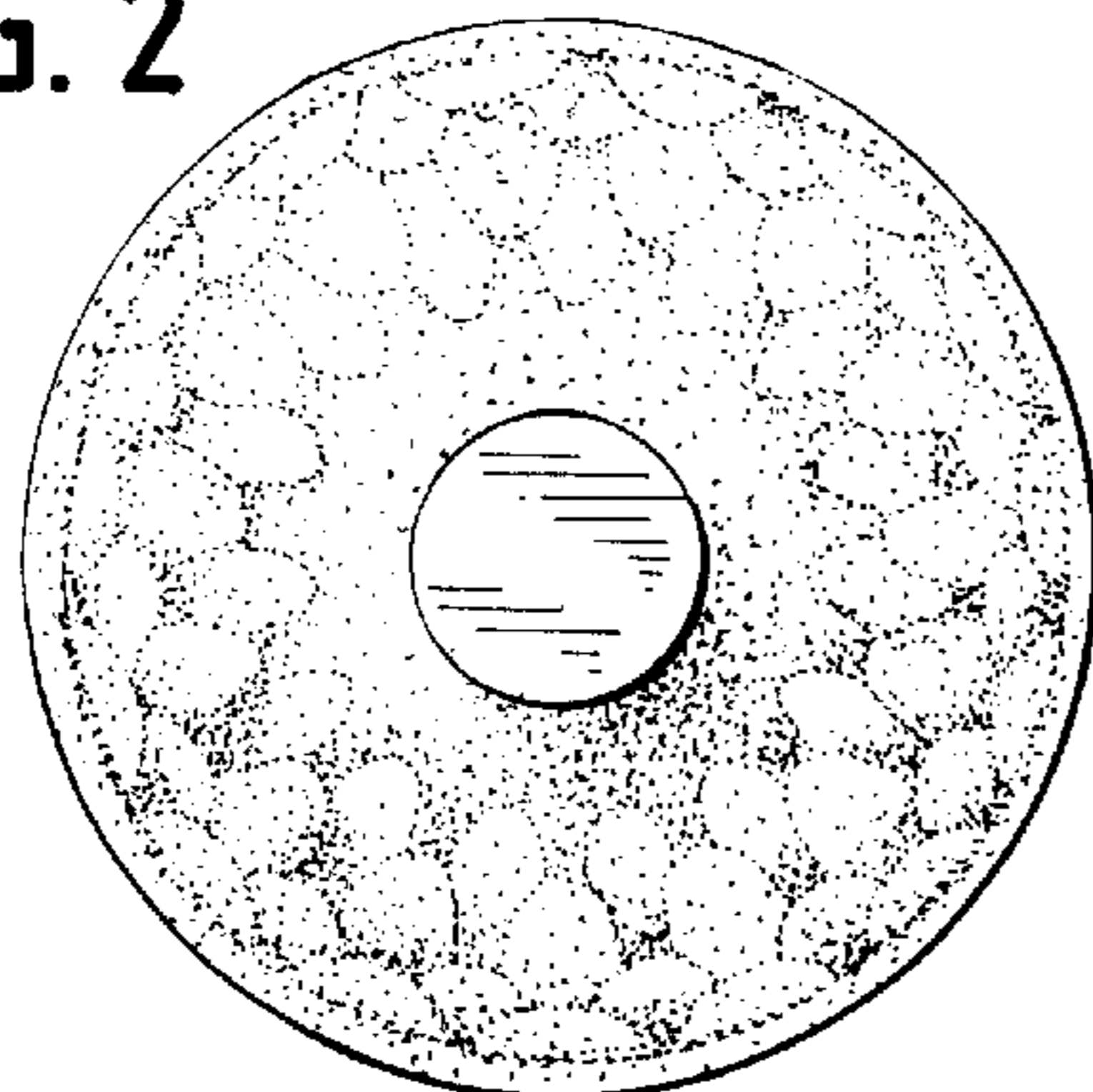


FIG. 4

