



US00D470034S

(12) **United States Design Patent**  
**Wu et al.**

(10) **Patent No.:** **US D470,034 S**

(45) **Date of Patent:** **\*\* Feb. 11, 2003**

(54) **OPTICAL FIBER HOLDING DEVICE**

(75) Inventors: **Kun-Tsan Wu, Tu-Chen (TW);**  
**Chien-Cheng Chen, Tu-Chen (TW)**

(73) Assignee: **Hon Hai Precision Ind. Co., Ltd.,**  
**Taipei Hsien (TW)**

(\*\*) Term: **14 Years**

(21) Appl. No.: **29/150,642**

(22) Filed: **Nov. 13, 2001**

(30) **Foreign Application Priority Data**

Oct. 5, 2001 (TW) ..... 090306331

(51) **LOC (7) Cl.** ..... **08-05**

(52) **U.S. Cl.** ..... **D8/356**

(58) **Field of Search** ..... D8/349, 354, 356,  
D8/366, 371; D13/154, 155; 24/563; 248/27.3,  
68.1, 71, 73, 74.2, 200, 220.21, 220.22,  
222.11, 300, 316.1, 316.2, 316.7, 500; 361/825;  
385/86, 87, 135, 136, 137

(56) **References Cited**

**U.S. PATENT DOCUMENTS**

1,808,328 A \* 6/1931 Thomson ..... 248/300

1,845,365 A \* 2/1932 Thomson ..... 248/300  
4,087,157 A \* 5/1978 Hodges ..... 385/70  
5,005,940 A \* 4/1991 Modrey ..... 385/55  
5,640,476 A \* 6/1997 Womack et al. .... 385/86  
D454,483 S \* 3/2002 Wolf ..... D8/394

\* cited by examiner

*Primary Examiner*—Doris V. Coles

*Assistant Examiner*—Elizabeth Albert

(74) *Attorney, Agent, or Firm*—Wei Te Chung

(57) **CLAIM**

The ornamental design for an optical fiber holding device, as shown.

**DESCRIPTION**

FIG. 1 is a perspective view of an optical fiber holding device showing our new design;

FIG. 2 is a front view thereof;

FIG. 3 is a rear view thereof;

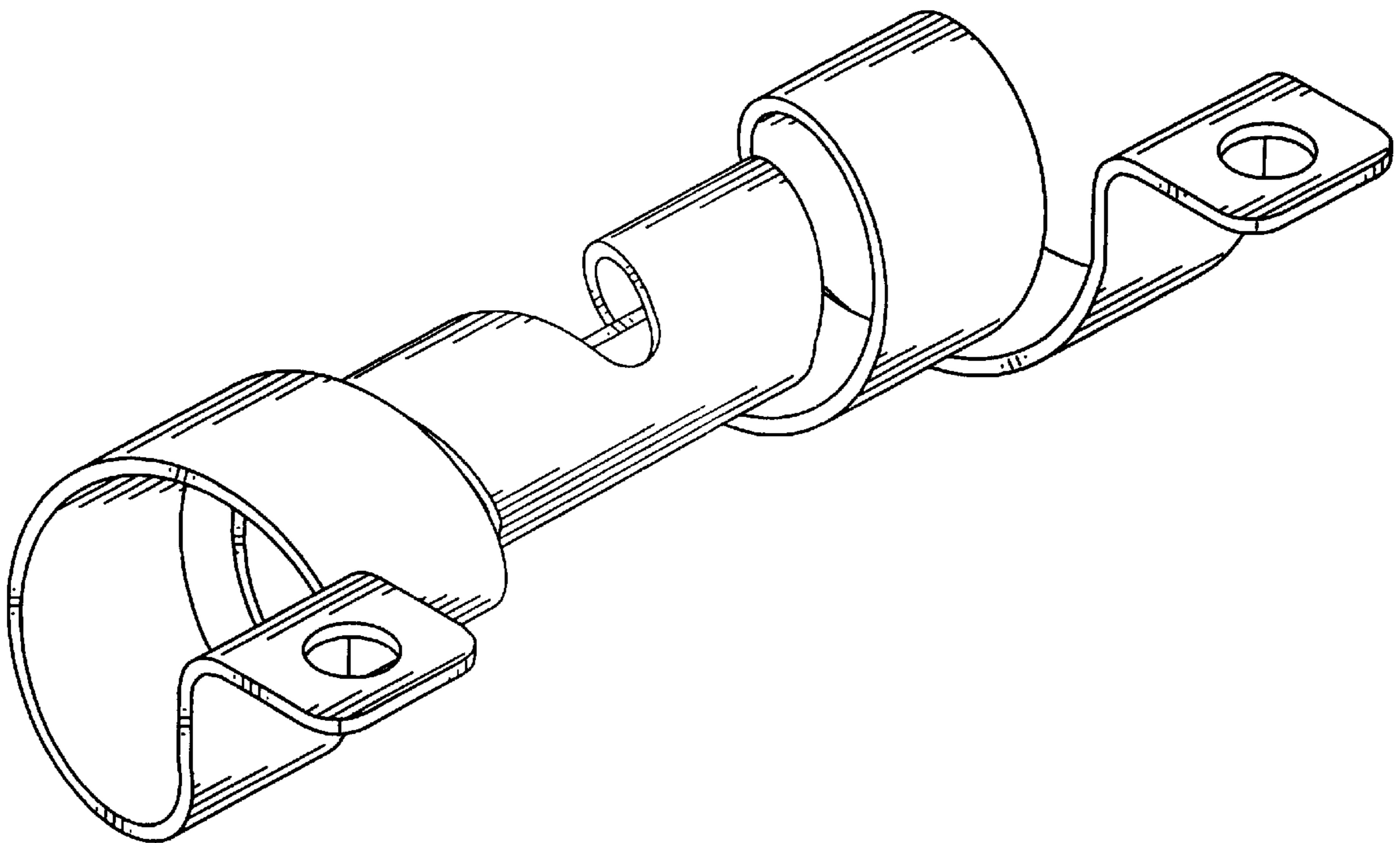
FIG. 4 is a left side elevational view thereof;

FIG. 5 is a right side elevational view thereof;

FIG. 6 is a top plan view thereof; and,

FIG. 7 is a bottom plan view thereof.

**1 Claim, 4 Drawing Sheets**



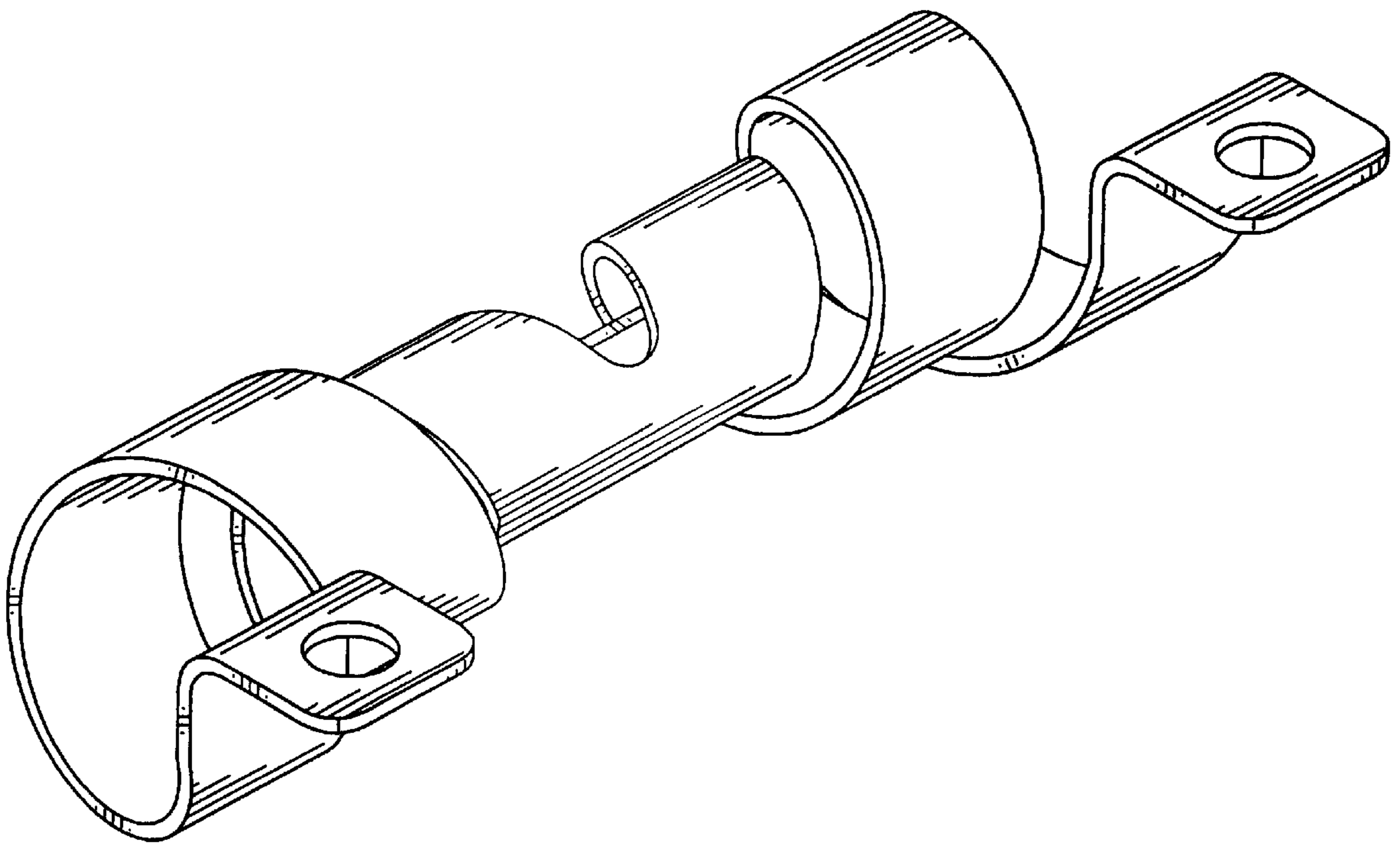


FIG. 1

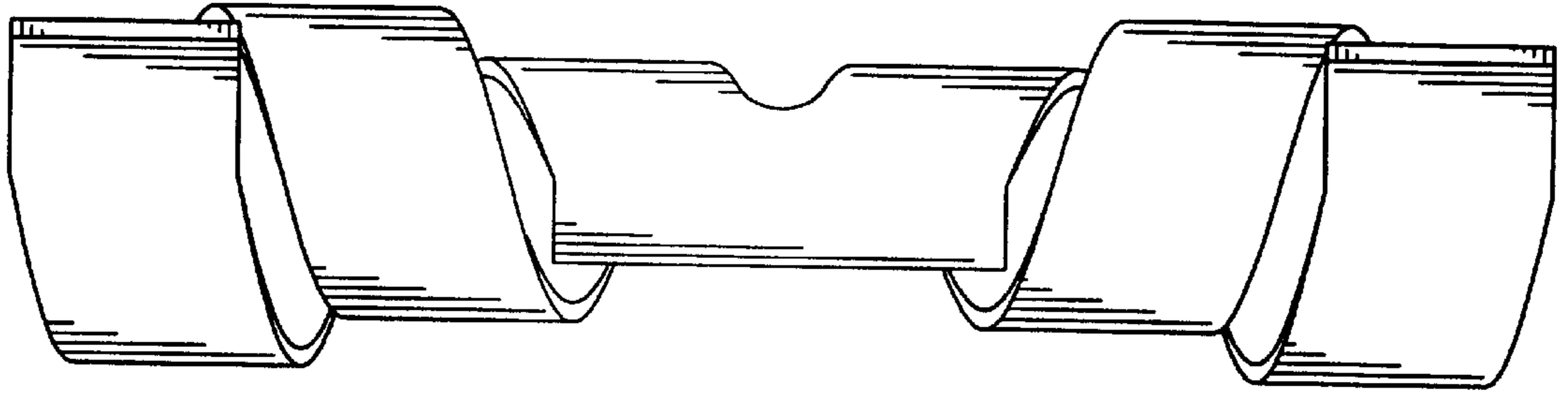


FIG. 2

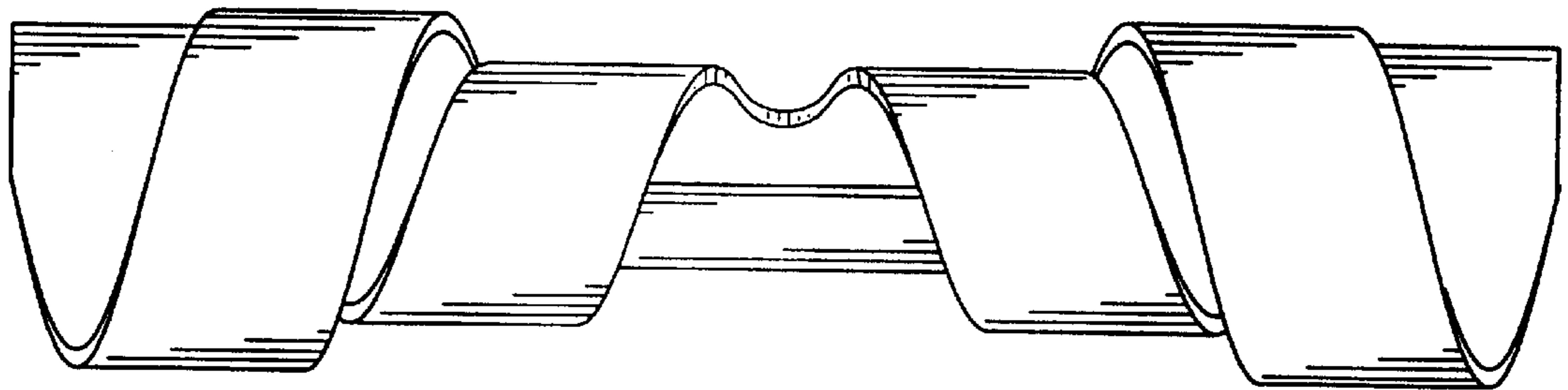


FIG. 3

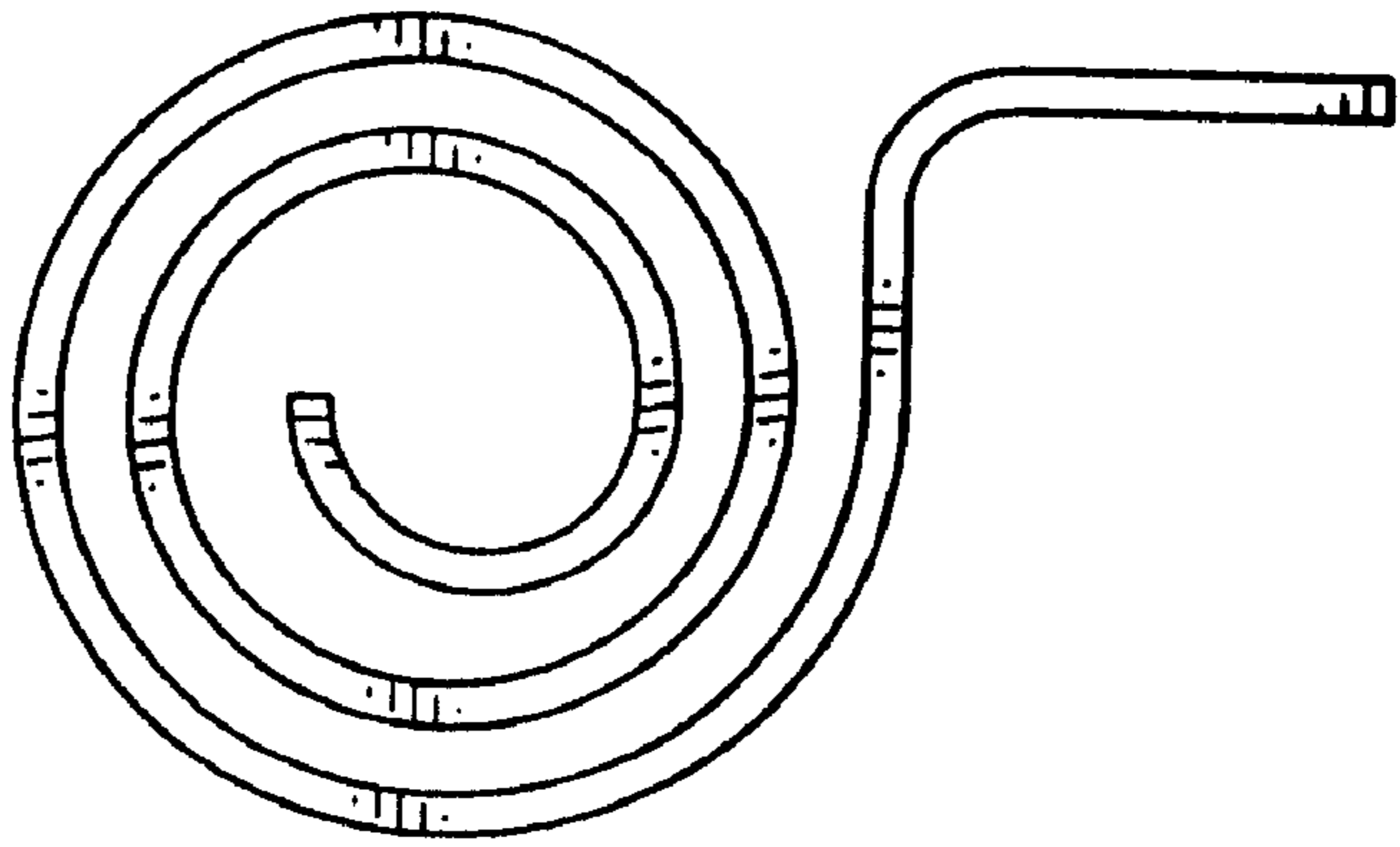


FIG. 4

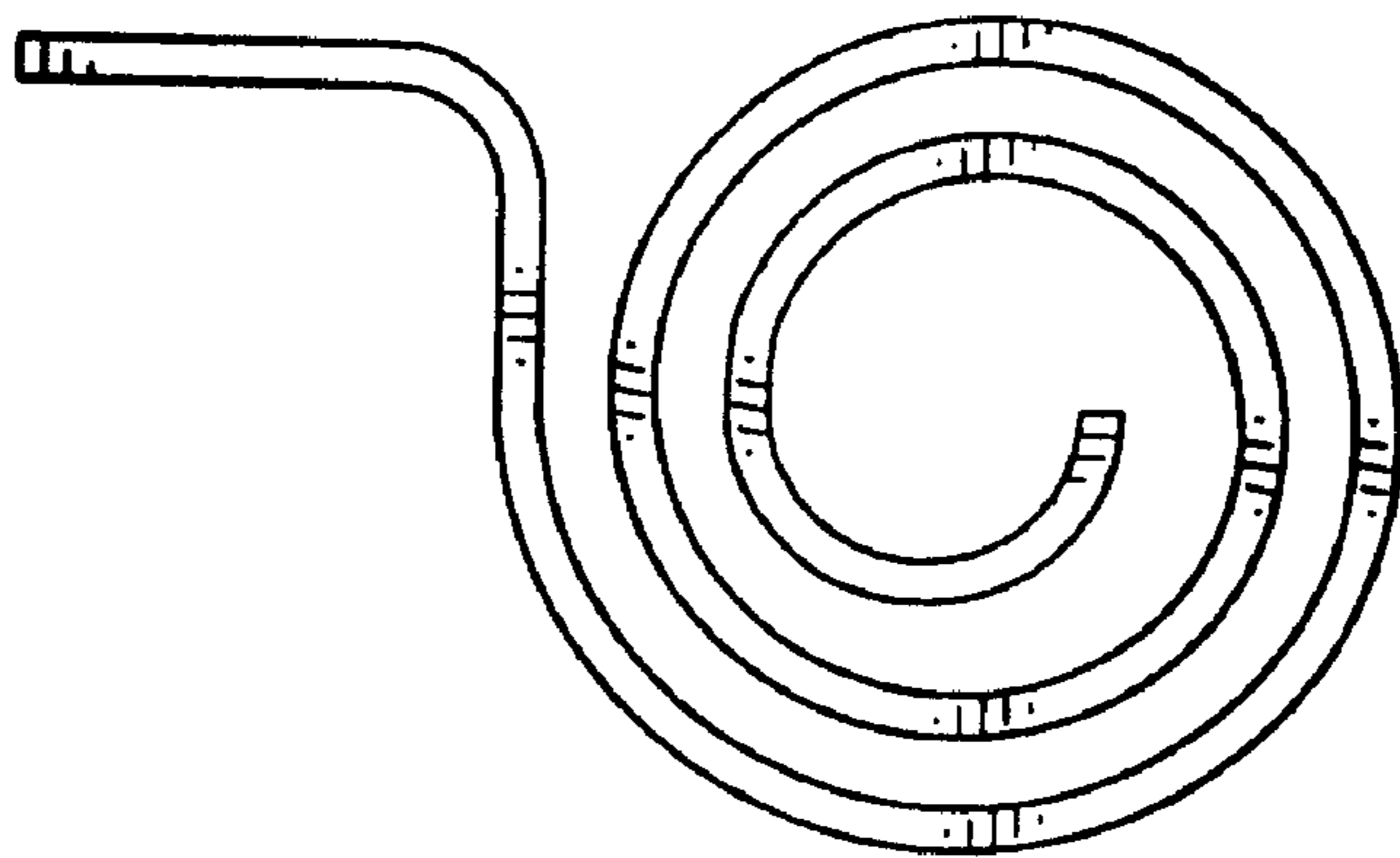


FIG. 5

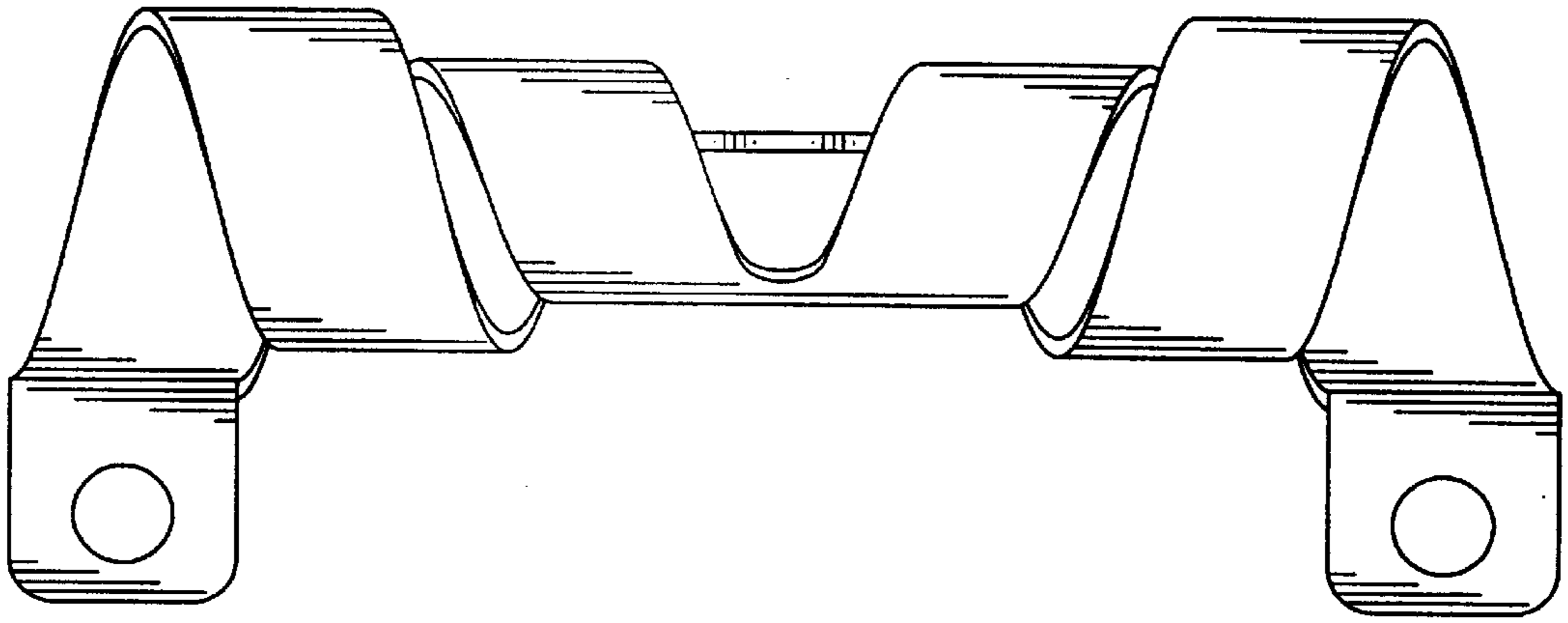


FIG. 6

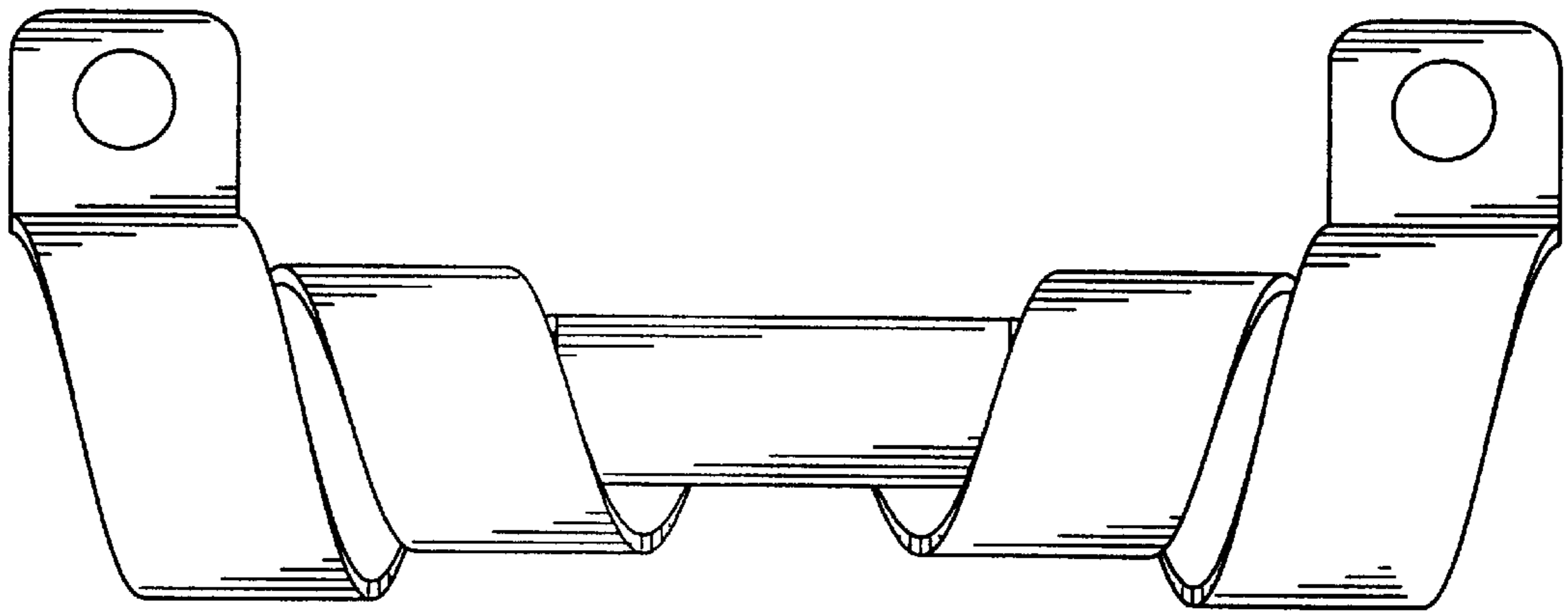


FIG. 7