



US00D470031S

(12) **United States Design Patent**
Rivera

(10) **Patent No.:** **US D470,031 S**

(45) **Date of Patent:** **** Feb. 11, 2003**

(54) **FOLDED MULTIPURPOSE TOOL**

GB 947 703 A 1/1964
WO WO 97 19787 6/1997

(75) Inventor: **Benjamin C. Rivera**, West Linn, OR (US)

OTHER PUBLICATIONS

(73) Assignee: **Leatherman Tool Group, Inc.**, Portland, OR (US)

Hong Kong Enterprise Catalog, Mar. 1989, p. 12.
Slip 'n' Snip Collapsible Scissors, at least as early as Oct. 1994.
Folding Scissors, at least as early as Oct. 1994.
Leatherman Tool Group, Inc., "The Original Leatherman PST II"—Jul. 1995.

(**) Term: **14 Years**

(21) Appl. No.: **29/155,099**

(List continued on next page.)

(22) Filed: **Jan. 30, 2002**

(51) **LOC (7) Cl.** **08-05**

(52) **U.S. Cl.** **D8/107; D8/105**

(58) **Field of Search** D8/52, 54-56, D8/105, 106, 107, 98, 99; D27/142; 7/118, 125, 127-135, 165, 167, 168; 30/153, 155; 81/425.7, 415-419, DIG. 9, 342, 367, 370, 390, 324, 486, 489, 177.4, 177.6

Primary Examiner—Alan P. Douglas

Assistant Examiner—Clare E. Heflin

(74) *Attorney, Agent, or Firm*—Chernoff, Vilhauer, McClung & Stenzel, LLP

(57) **CLAIM**

The ornamental design for a folded multipurpose tool, as shown and described.

(56) **References Cited**

DESCRIPTION

U.S. PATENT DOCUMENTS

310,439 A 1/1885 Kamak
1,282,875 A 10/1918 Kupec
1,828,121 A 10/1931 Adam et al.

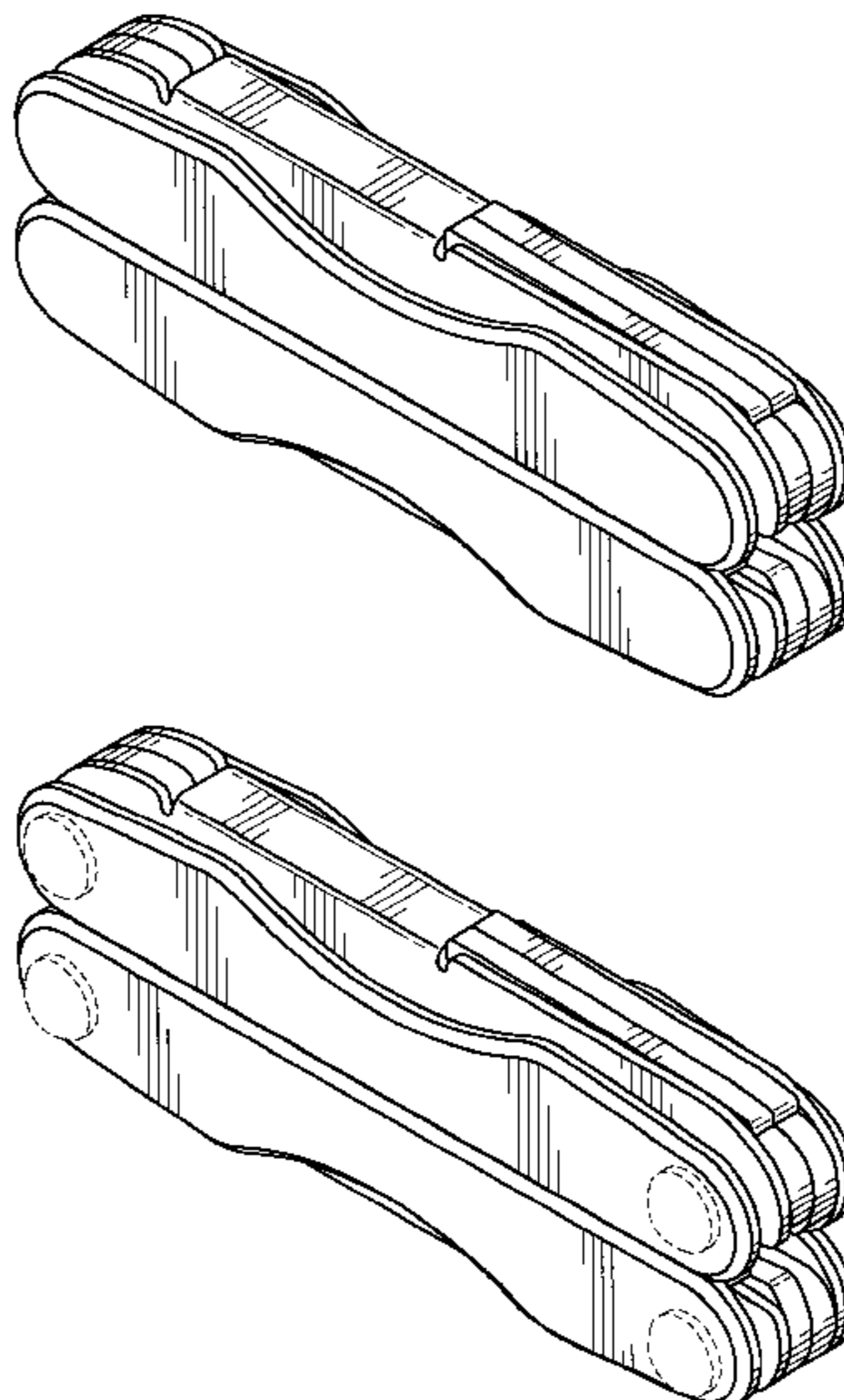
(List continued on next page.)

FOREIGN PATENT DOCUMENTS

DE 29556 12/1884
DE 145784 7/1902
DE 217 059 1/1909
EP 0 676 261 A1 10/1995
EP 0 771 622 A1 5/1997
EP 0783 937 A2 7/1997
EP 1 116 557 A2 7/2000
EP 1 023 971 A3 8/2000
FR 89 16842 6/1991
FR 97 03800 9/1998
GB 5375 of 1882
GB 270 186 A 5/1927

FIG. 1 is an isometric view from the upper right front of a folded multipurpose tool showing my new design;
FIG. 2 is a right side elevational view of the folded multipurpose tool shown in FIG. 1, the left side elevational view thereof being a mirror image of this view;
FIG. 3 is a top plan view of the folded multipurpose tool shown in FIGS. 1 and 2, the bottom plan view thereof being a mirror image of this view;
FIG. 4 is a rear end elevational view of the folded multipurpose tool shown in FIGS. 1-3;
FIG. 5 is a front end elevational view thereof.
FIG. 6 is an isometric view similar to that of FIG. 1 of the folded multipurpose tool shown in FIGS. 1-5, wherein the broken-line depiction of rivet heads is included merely for illustrative purposes and forms no part of the claimed design.

1 Claim, 2 Drawing Sheets



US D470,031 S

Page 2

U.S. PATENT DOCUMENTS

2,126,699 A	8/1938	Florian	30/255	D407,622 S	4/1999	Rivera	D8/52
2,980,996 A	4/1961	Beran	30/157	D414,092 S	9/1999	Chang	D8/55
3,747,211 A	7/1973	Calabrese	30/155	5,978,993 A	11/1999	Rivera	7/128
4,238,862 A	12/1980	Leatherman	7/128	D417,601 S	12/1999	Rivera	D8/107
4,744,272 A	5/1988	Leatherman	81/427.5	6,009,582 A *	1/2000	Harrison et al.	7/118
D296,042 S	6/1988	Lee	D3/18	6,014,787 A	1/2000	Rivera	7/128
D303,872 S	10/1989	Tamamura	D3/18	D421,377 S	3/2000	Rivera	D8/58
5,029,354 A	7/1991	Boyd, Jr. et al.	7/118	D423,893 S	5/2000	Mackin et al.	D8/52
5,062,173 A	11/1991	Collins et al.	7/118	D426,446 S	6/2000	Chau	D8/105
5,142,721 A	9/1992	Sessions et al.	7/128	D426,447 S	6/2000	Chau	D8/105
D348,191 S	6/1994	Williams	D8/57	D427,875 S	7/2000	Chiu	D8/105
D357,166 S *	4/1995	Concari	D8/107	6,092,444 A	7/2000	Hsiao	81/440
D364,327 S	11/1995	Graham	D8/105	D429,131 S	8/2000	Rivera	D8/58
D368,634 S	4/1996	Frazer	D8/105	D429,132 S	8/2000	Rivera	D8/58
5,526,571 A	6/1996	Lindén	30/255	D429,616 S	8/2000	Rivera	D8/105
5,537,750 A	7/1996	Seber et al.	30/161	D429,988 S *	8/2000	Lau et al.	D8/105
5,564,318 A	10/1996	Pail	81/427.5	D433,902 S	11/2000	Rivera	D8/52
D380,362 S	7/1997	Rivera	D8/52	D445,009 S *	7/2001	Rivera	D8/52
D382,190 S	8/1997	Blackston et al.	D8/107	D446,708 S *	8/2001	Rivera	D8/105
D382,455 S	8/1997	Berg	D8/52	D447,039 S *	8/2001	Rivera	D8/105
D384,872 S	10/1997	Yeh	D8/105	D447,401 S *	9/2001	Rivera	D8/105
D385,168 S	10/1997	Rivera	D8/52	6,408,522 B2 *	6/2002	Rivera	30/155
D385,169 S	10/1997	Rivera	D8/52				
D385,170 S	10/1997	Rivera	D8/52				
D385,172 S	10/1997	Bramsiepe et al.	D8/83				
D392,519 S	3/1998	Hung	D8/5				
5,722,171 A	3/1998	Schmidt	30/255				
5,743,582 A *	4/1998	Rivera	294/99.2				
5,745,997 A	5/1998	Berg et al.	30/155				
D398,209 S	9/1998	Rivera	D8/52				
D398,213 S	9/1998	Rivera	D8/105				
5,809,599 A	9/1998	Frazer	7/128				
D401,133 S	11/1998	Gardiner et al.	D8/105				
D402,869 S	12/1998	Rivera	D8/57				
D403,944 S	1/1999	Rivera	D8/107				

OTHER PUBLICATIONS

Coast Cutlery Co., Micro-Pliers 12 in 1 Folding Tool MP2075CP, at least as early as Aug. 18, 1998.

Royal International Corp., KC Pro 95120 12 in 1 Pocket Multi-Tool, at least as early as Aug. 18, 1998.

SOG Specialty Knives Inc., "User's Guide for the Power-Lock® Compound Leverage" and photographs.

Folding scissors with chain, on sale at least as early as 1994, photographs.

CHESCO® Fold Up Tool Sets, At least as early as 1998.

* cited by examiner

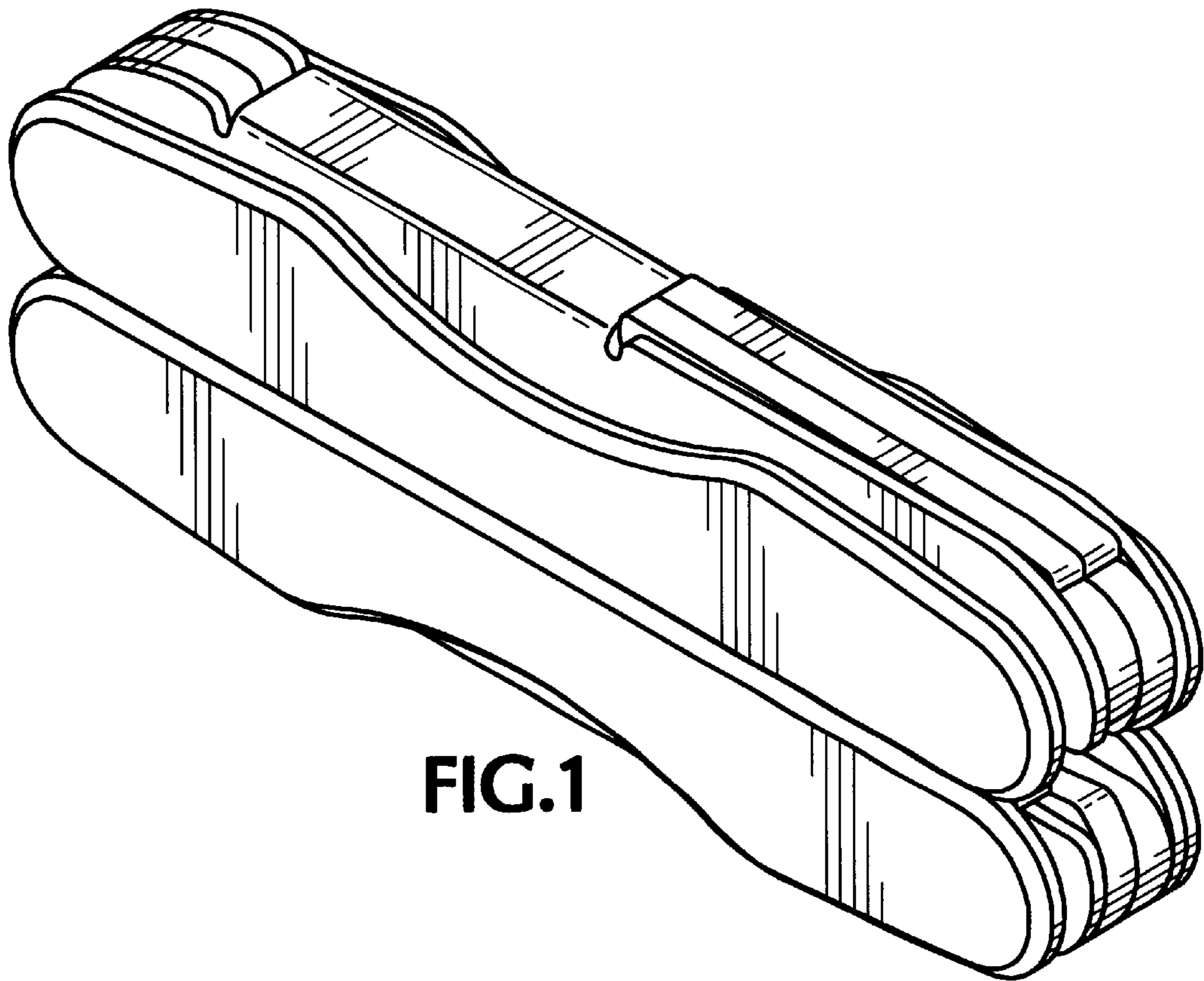


FIG. 1

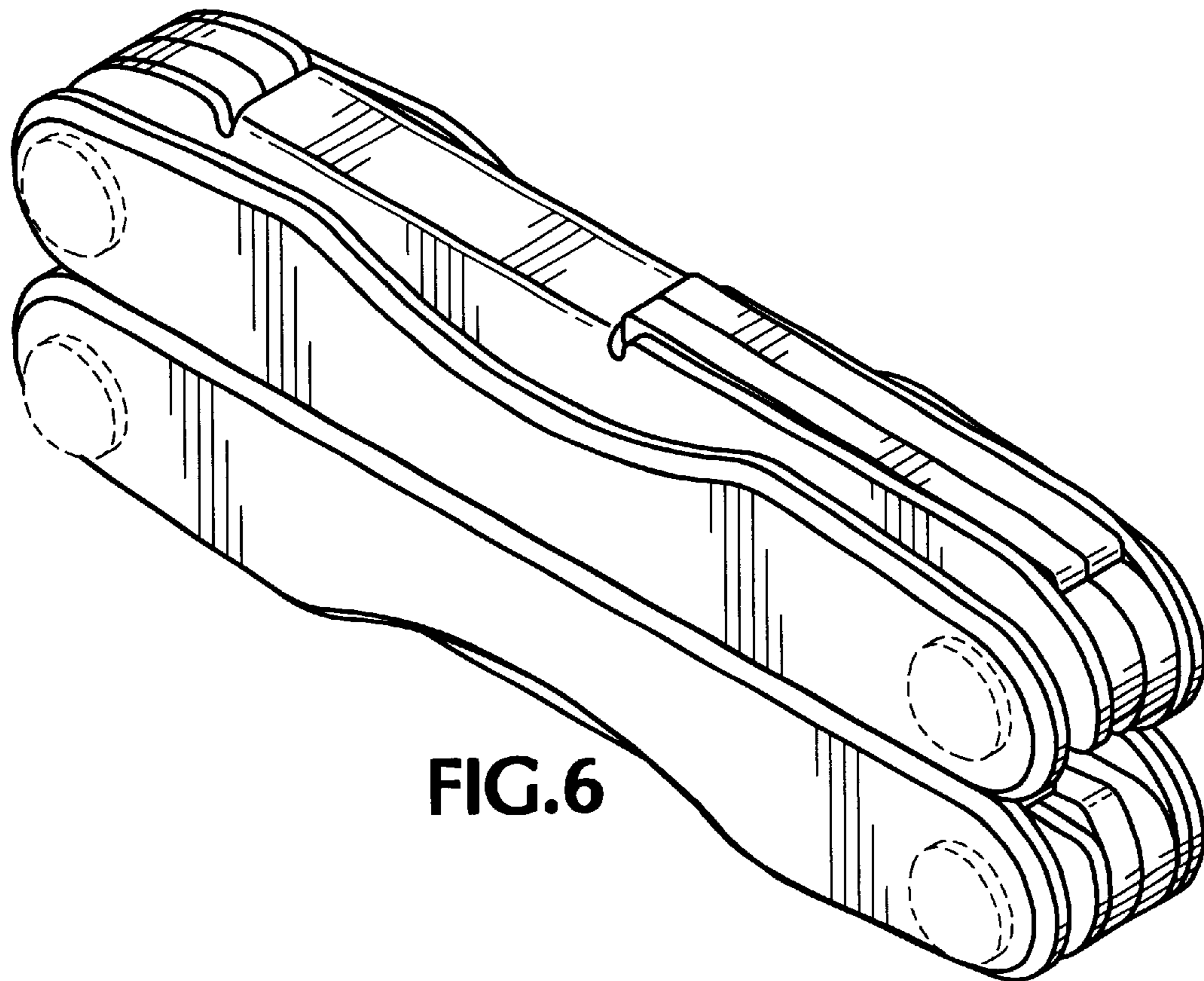


FIG. 6

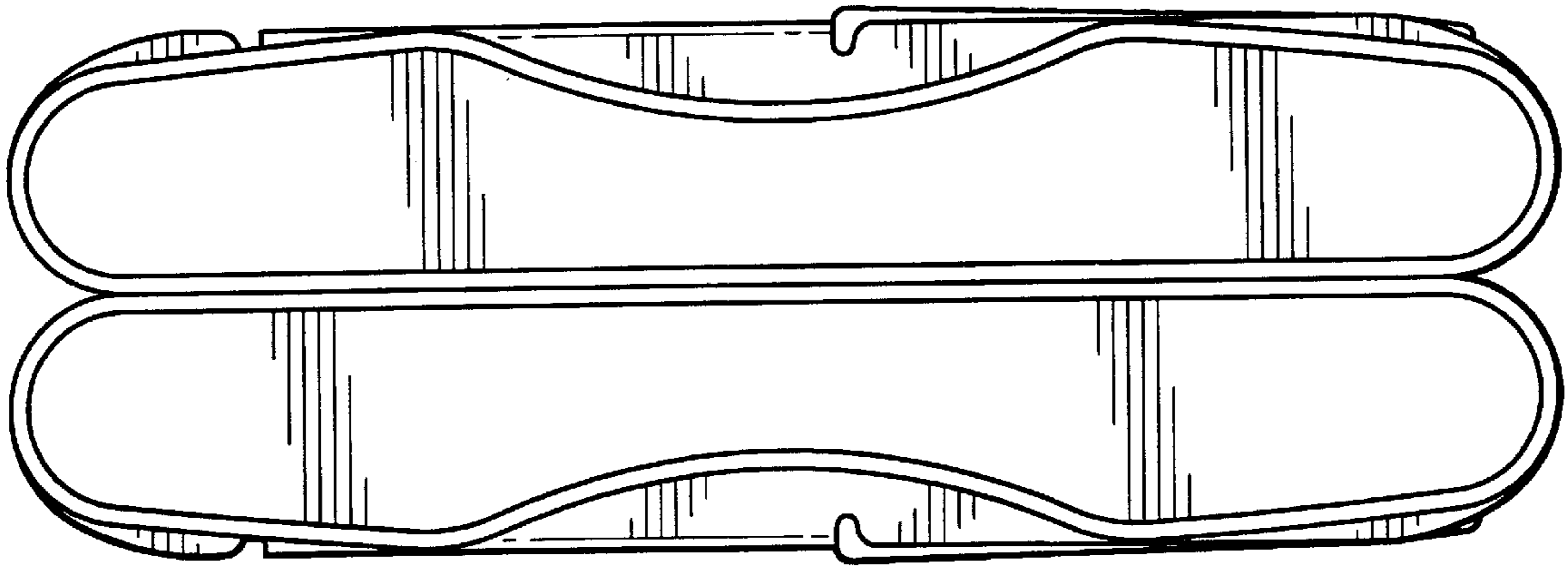


FIG. 2

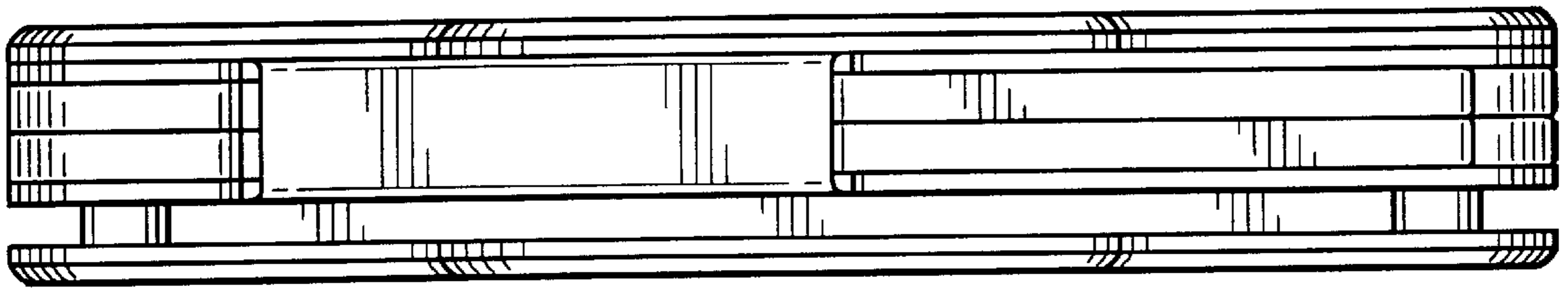


FIG. 3

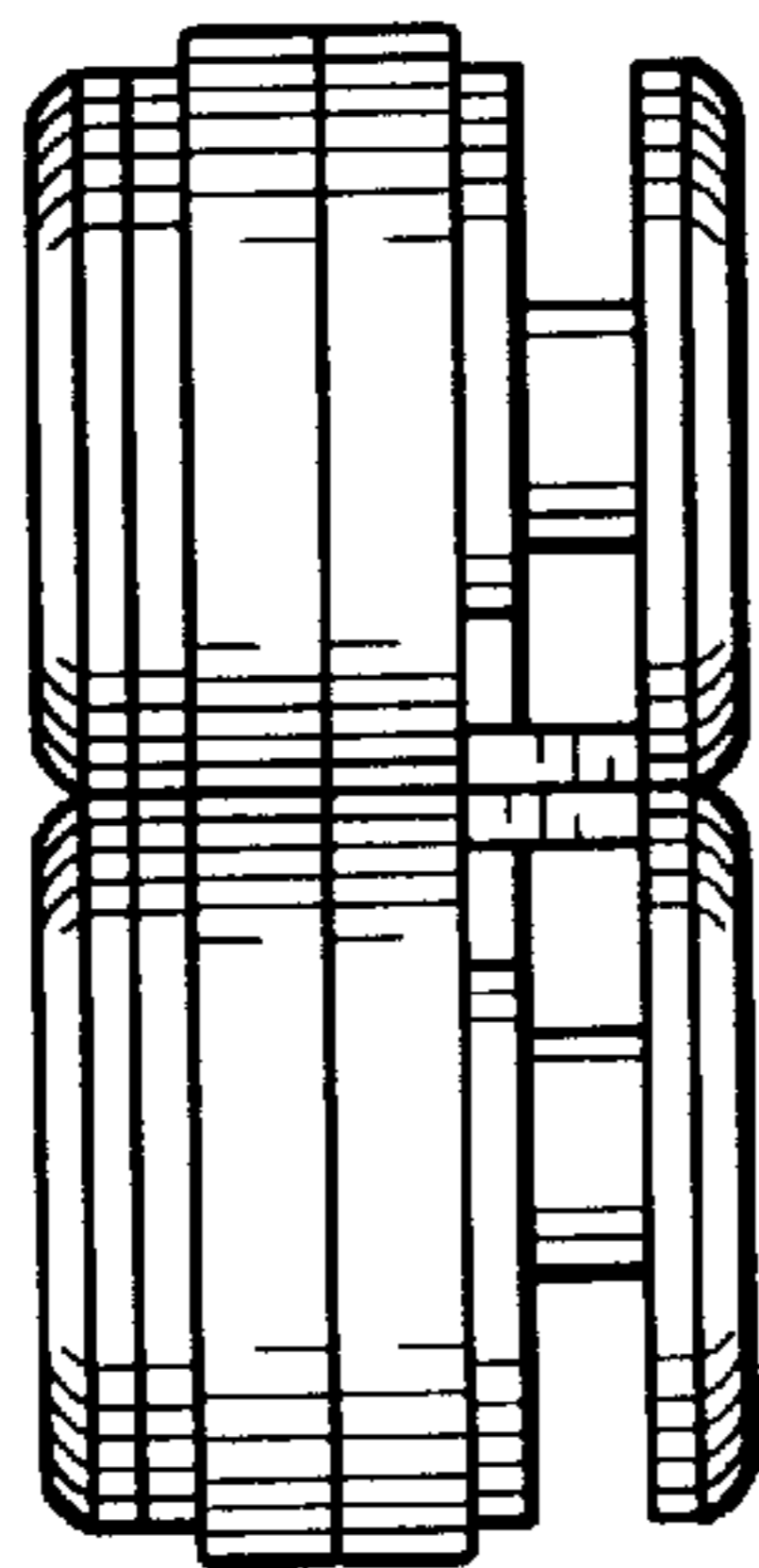


FIG. 4

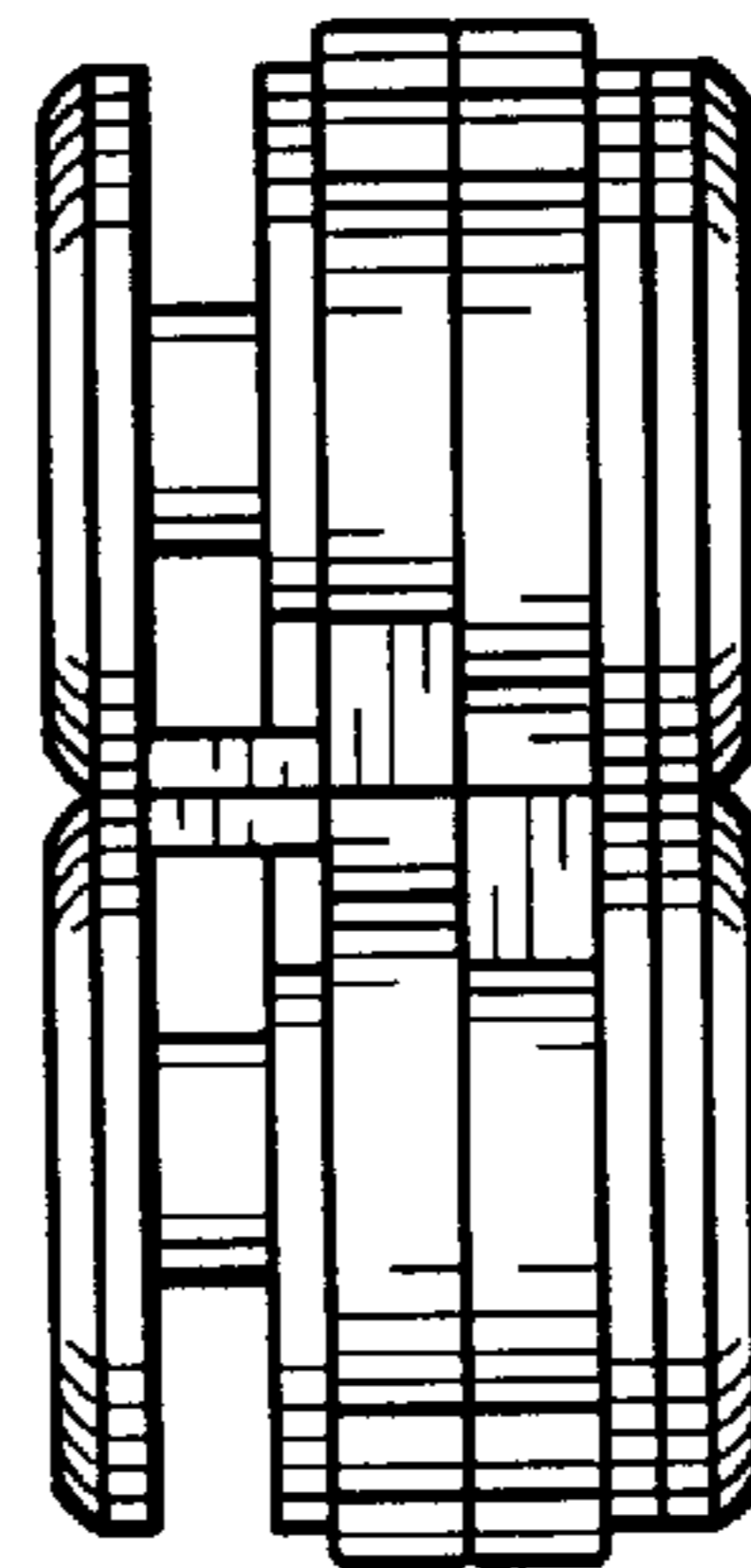


FIG. 5