



US00D470028S

(12) **United States Design Patent**
Cooper

(10) **Patent No.:** **US D470,028 S**

(45) **Date of Patent:** **** Feb. 11, 2003**

(54) **DRILL**

(75) **Inventor:** **Vincent P. Cooper**, Baltimore, MD
(US)

(73) **Assignee:** **Black & Decker Inc.**, Newark, DE
(US)

(**) **Term:** **14 Years**

(21) **Appl. No.:** **29/163,317**

(22) **Filed:** **Jul. 2, 2002**

(51) **LOC (7) Cl.** **08-01**

(52) **U.S. Cl.** **D8/68**

(58) **Field of Search** D8/61, 62, 63,
D8/64, 65, 66, 67, 68, 69, 70; 81/57.11,
429, 464, 465, 466, 469, 489; 173/13, 169,
178, 213, 217; 227/8, 114, 120, 130, 136,
142; 310/50; 408/20, 124, 125, 234, 241 R;
451/358

(56) **References Cited**

U.S. PATENT DOCUMENTS

| | | | | | |
|-------------|---|---------|------------------|-------|--------|
| 4,190,781 A | * | 2/1980 | Sauerwein et al. | | 310/50 |
| D314,698 S | * | 2/1991 | Zurwelle | | D8/68 |
| D326,400 S | | 5/1992 | Fushiya et al. | | |
| D332,208 S | * | 1/1993 | Sakamoto et al. | | D8/68 |
| D333,960 S | * | 3/1993 | Somers | | D8/68 |
| D339,727 S | | 9/1993 | Kikuchi | | |
| D340,393 S | * | 10/1993 | Okumura | | D8/68 |
| D342,878 S | * | 1/1994 | Watanabe | | D8/68 |
| D345,090 S | | 3/1994 | Okumura | | |
| D384,262 S | * | 9/1997 | Hayakawa et al. | | D8/68 |
| D396,395 S | * | 7/1998 | Zurwelle | | D8/68 |
| D400,415 S | * | 11/1998 | Zurwelle | | D8/68 |
| D400,416 S | * | 11/1998 | Zurwelle | | D8/68 |

| | | | | | |
|------------|---|---------|----------------|-------|-------|
| D402,872 S | * | 12/1998 | Clowers et al. | | D8/68 |
| D404,275 S | * | 1/1999 | Bunyea et al. | | D8/68 |
| D406,511 S | * | 3/1999 | Zurwelle | | D8/68 |
| D406,740 S | * | 3/1999 | Zurwelle | | D8/68 |
| D406,741 S | * | 3/1999 | Zurwelle | | D8/68 |
| D418,730 S | * | 1/2000 | Main | | D8/68 |
| D426,126 S | * | 6/2000 | Schultz | | D8/68 |
| D429,134 S | | 8/2000 | Schultz et al. | | |
| D437,759 S | | 2/2001 | Breit et al. | | |
| D440,850 S | | 4/2001 | Ozawa et al. | | |
| D452,639 S | * | 1/2002 | Zurwelle | | D8/68 |

OTHER PUBLICATIONS

Drills, pp. 22-23, DeWalt Tool catalogue, c. 1998.*

* cited by examiner

Primary Examiner—Doris V. Coles

Assistant Examiner—T. Chase Nelson

(74) *Attorney, Agent, or Firm*—Bruce S. Shapiro; John D. DelPonti; Michael P. Leary

(57) **CLAIM**

The ornamental design for a drill, as shown and described.

DESCRIPTION

FIG. 1 is a perspective view of a drill showing my new design.

FIG. 2 is a left side elevational view thereof.

FIG. 3 is a right side elevational view thereof.

FIG. 4 is a front elevational view thereof.

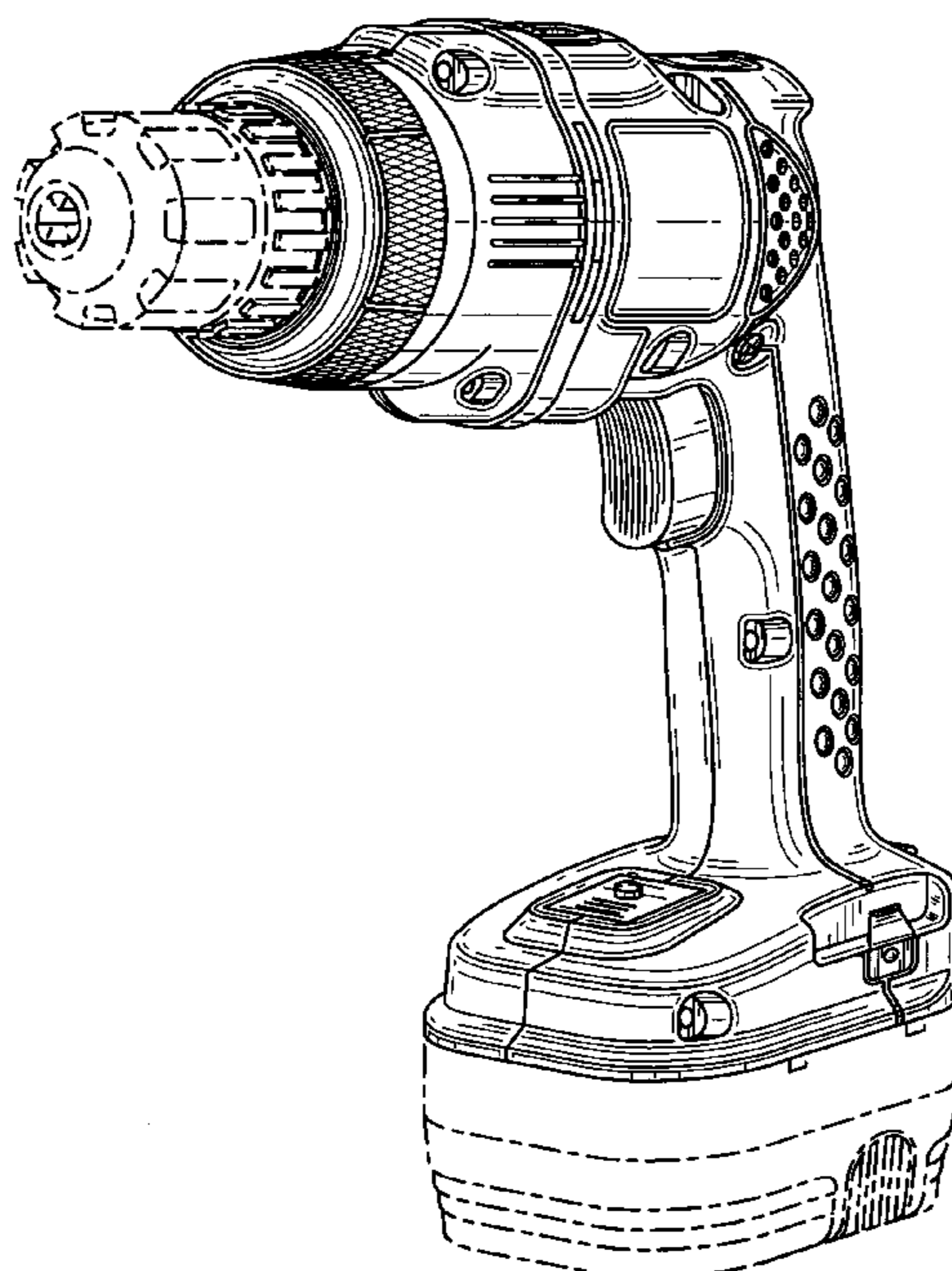
FIG. 5 is a rear elevational view thereof.

FIG. 6 is a top plan view thereof; and,

FIG. 7 is a bottom plan view thereof.

The broken line showing is for illustrative purposes only and forms no part of the claimed design.

1 Claim, 7 Drawing Sheets



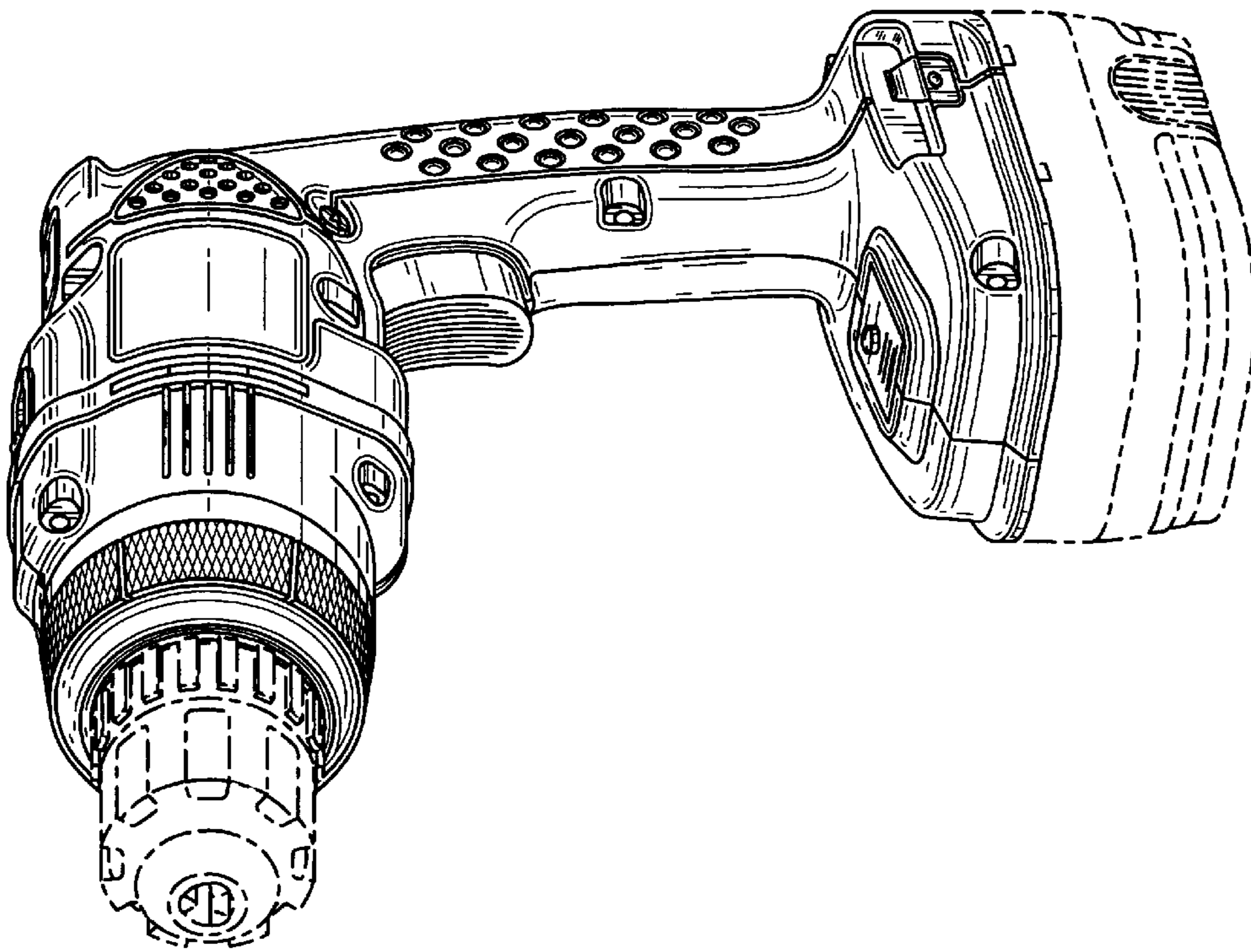


FIG. 1

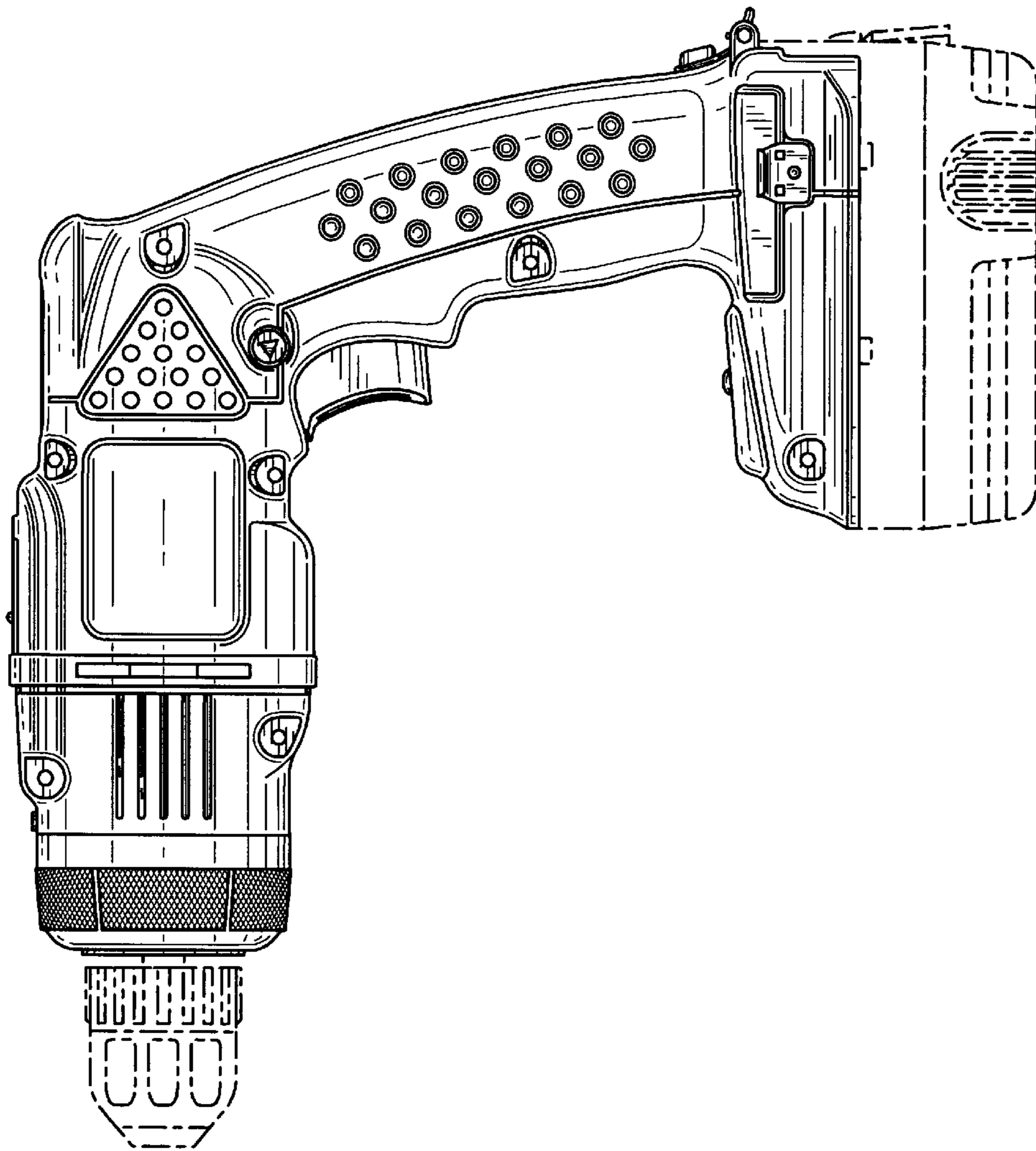


FIG. 2

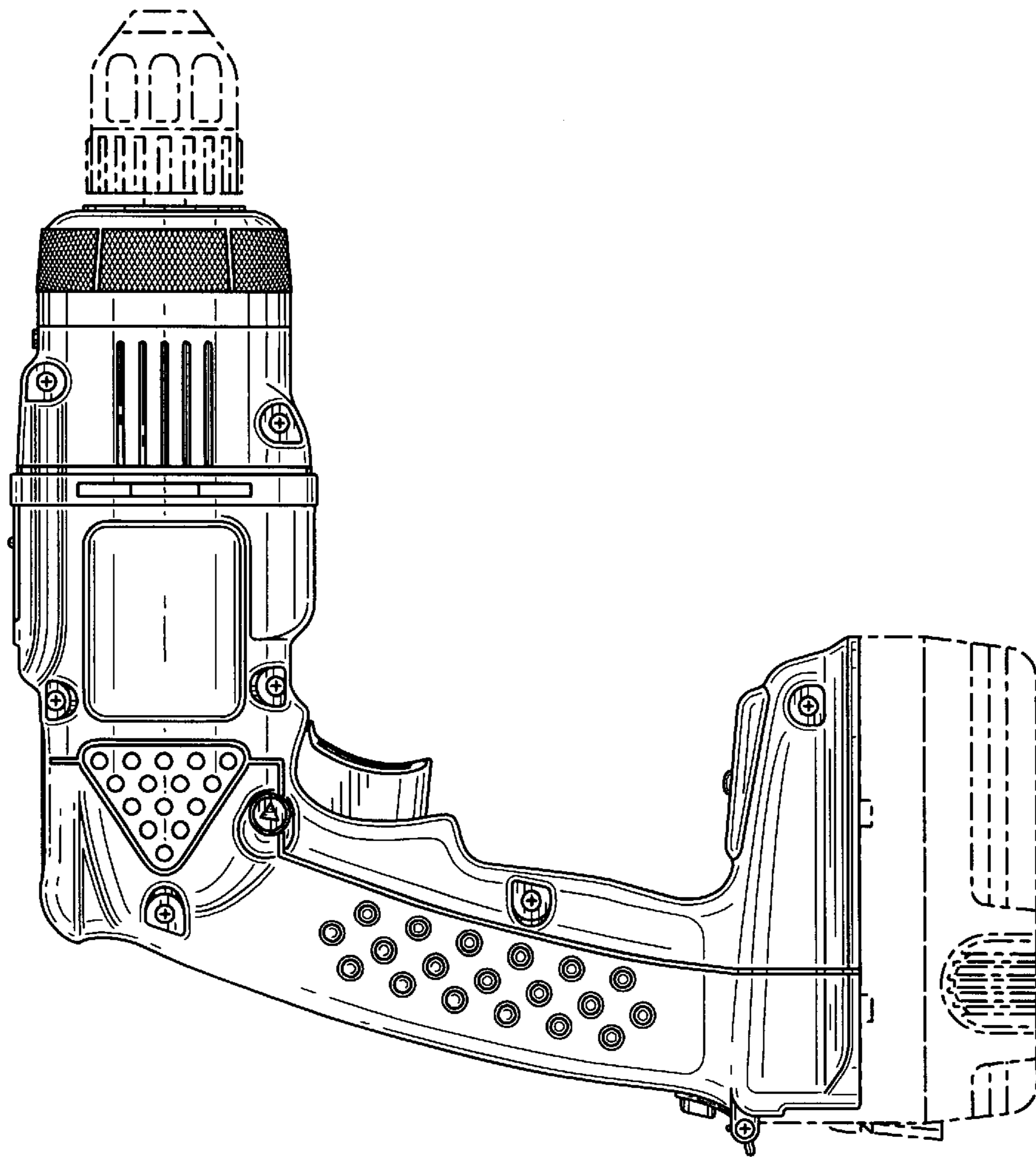


FIG. 3

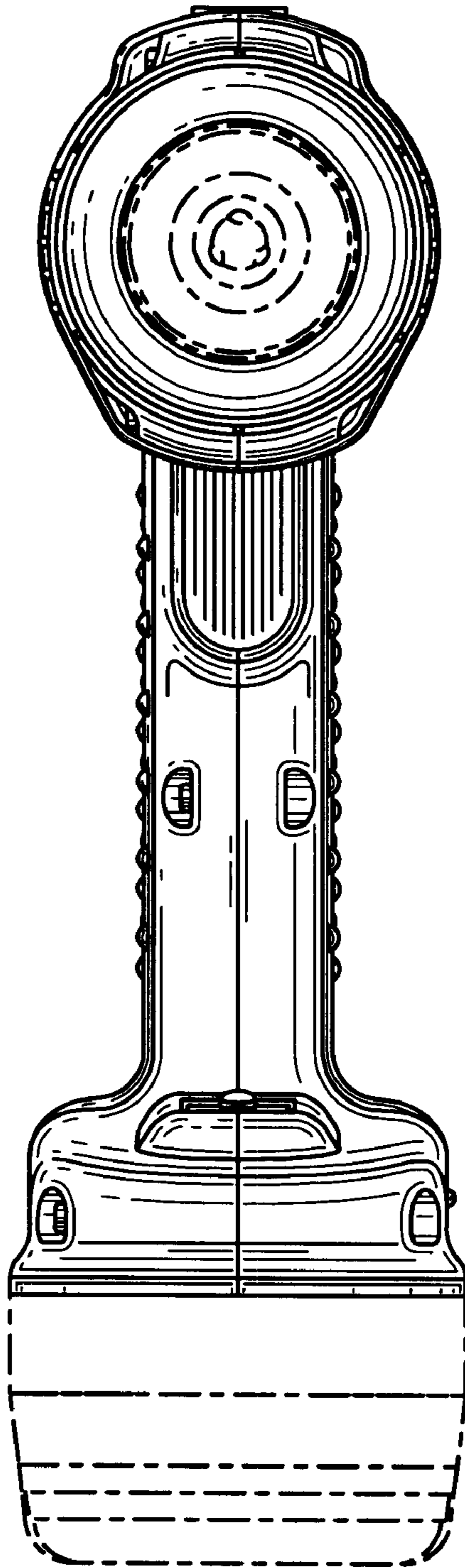


FIG. 4

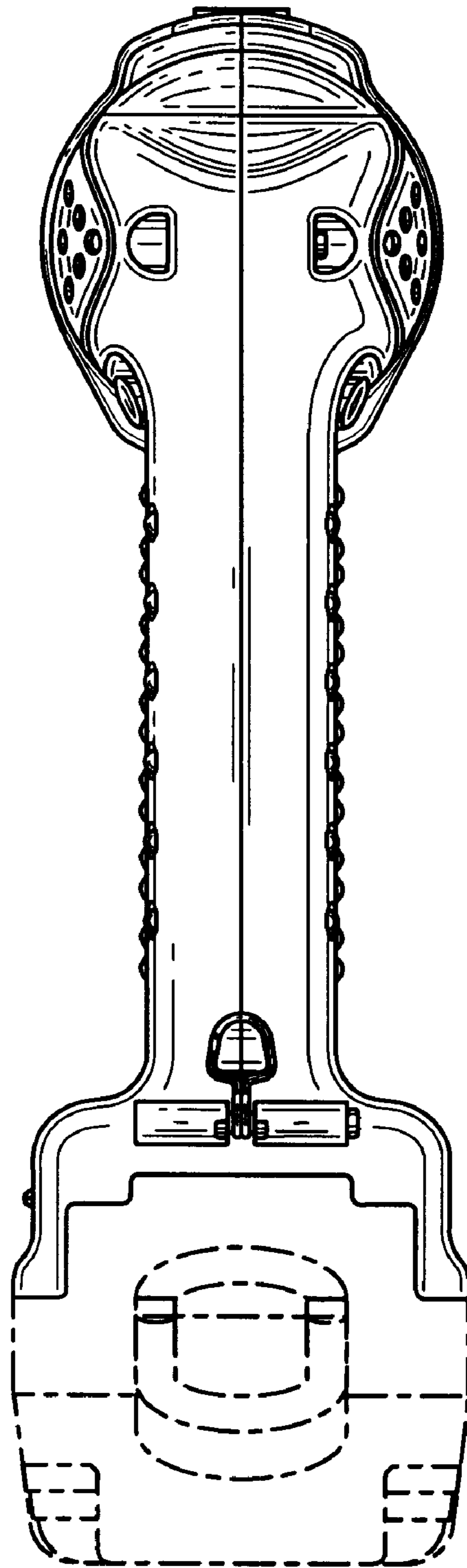


FIG. 5

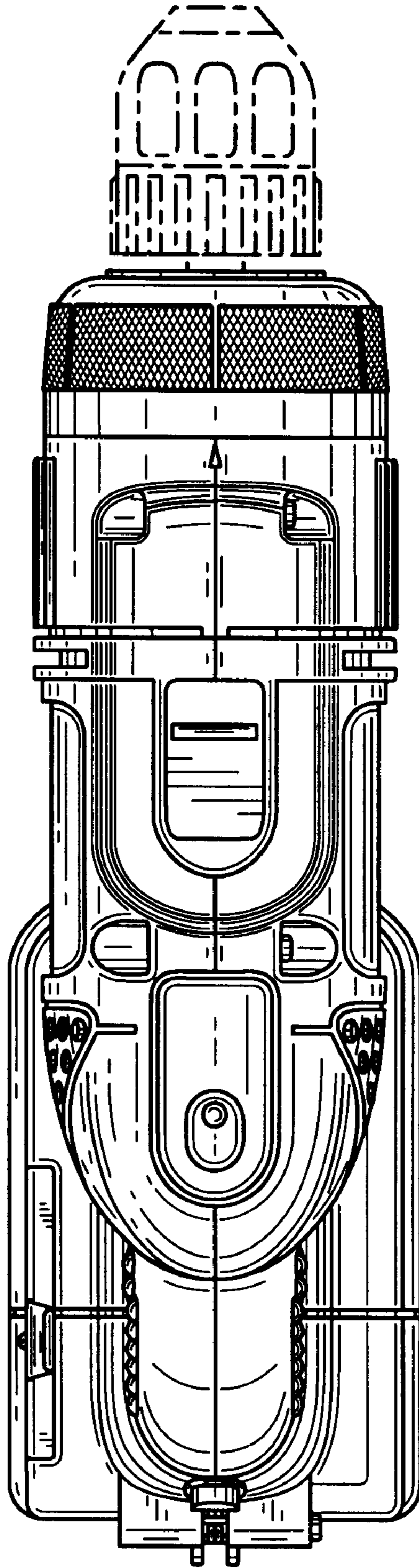


FIG. 6

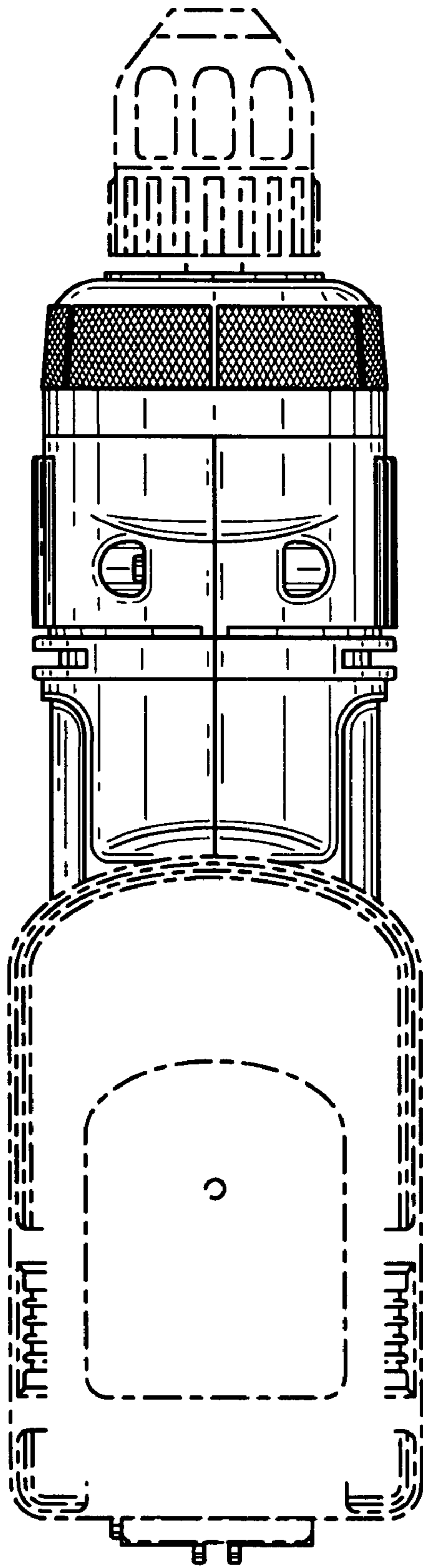


FIG. 7