



US00D470024S

(12) **United States Design Patent**
Robillard

(10) **Patent No.:** **US D470,024 S**

(45) **Date of Patent:** **** Feb. 11, 2003**

(54) **STAPLER**

(75) Inventor: **Laurent Robillard, Choisy (FR)**

(73) Assignee: **Manufacture d'Articles de Precision
et de Dessin - M.A.P.E.D. (FR)**

(**) Term: **14 Years**

(21) Appl. No.: **29/137,047**

(22) Filed: **Feb. 12, 2001**

(30) **Foreign Application Priority Data**

Aug. 10, 2000 (XH) DM/053 865

(51) **LOC (7) Cl.** **19-02**

(52) **U.S. Cl.** **D8/50; D19/72**

(58) **Field of Search** D8/49, 50, 61;
D19/72; 227/120, 126, 127, 128, 132, 134,
156

(56) **References Cited**

U.S. PATENT DOCUMENTS

D213,147 S * 1/1969 Power D8/50

D416,774 S * 11/1999 Huang D8/50
D420,266 S * 2/2000 Berry et al. D8/50
D424,898 S * 5/2000 Wilson et al. D8/50
6,152,347 A * 11/2000 Wilson et al. D8/134
D436,010 S * 1/2001 Nakamura D8/50
D437,754 S * 2/2001 Jacquet D8/50

* cited by examiner

Primary Examiner—Adir Aronovich

(74) *Attorney, Agent, or Firm*—Cantor Colburn LLP

(57) **CLAIM**

The ornamental design for a stapler, as shown and described.

DESCRIPTION

FIG. 1 is a top, front and side perspective view of a stapler, showing my new design;

FIG. 2 is a side elevational view thereof;

FIG. 3 is a front elevational view thereof;

FIG. 4 is a rear elevational view thereof;

FIG. 5 top plan view thereof; and,

FIG. 6 is a bottom plan view thereof.

1 Claim, 4 Drawing Sheets

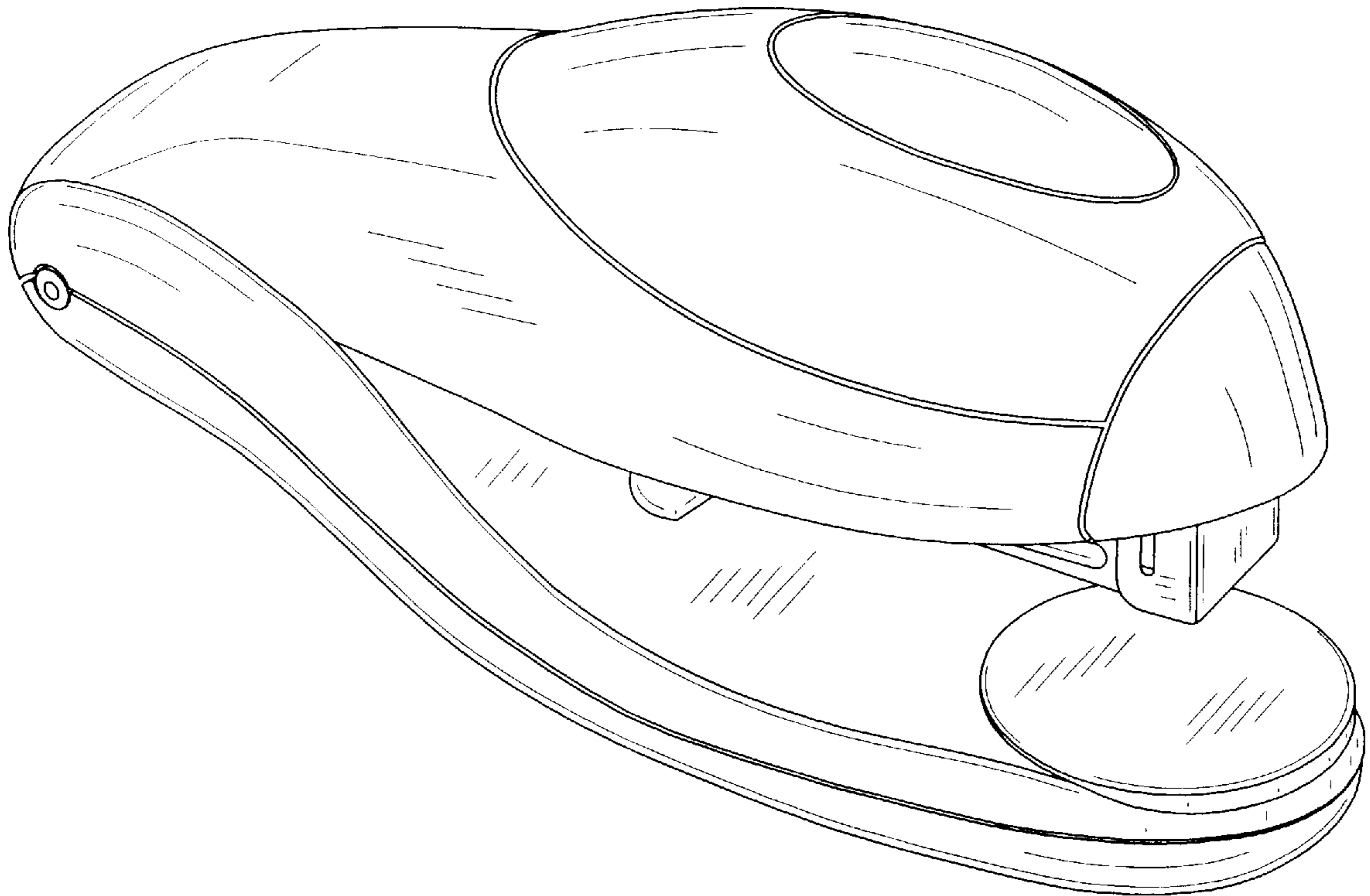


FIG. 1

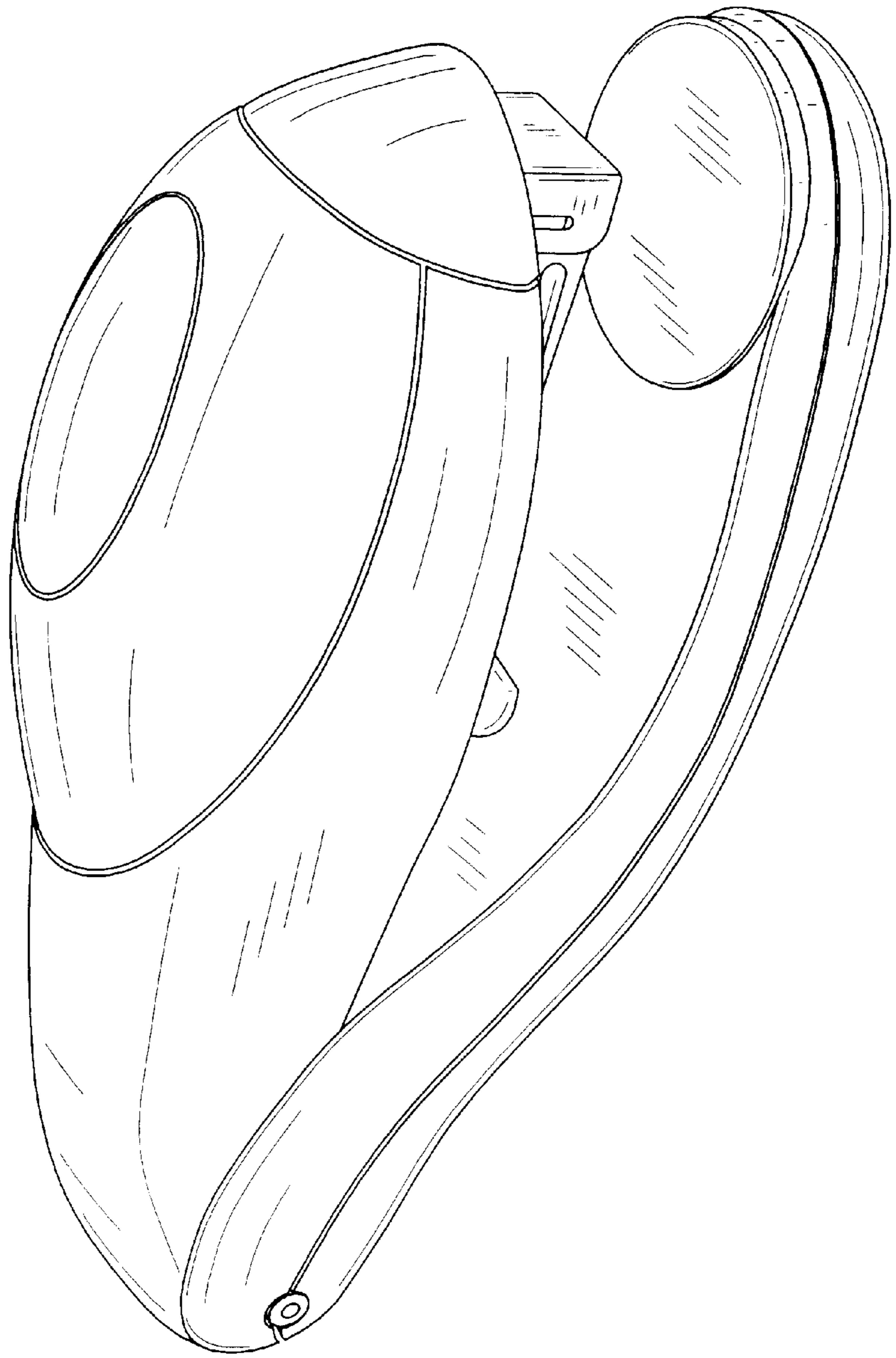


FIG. 2

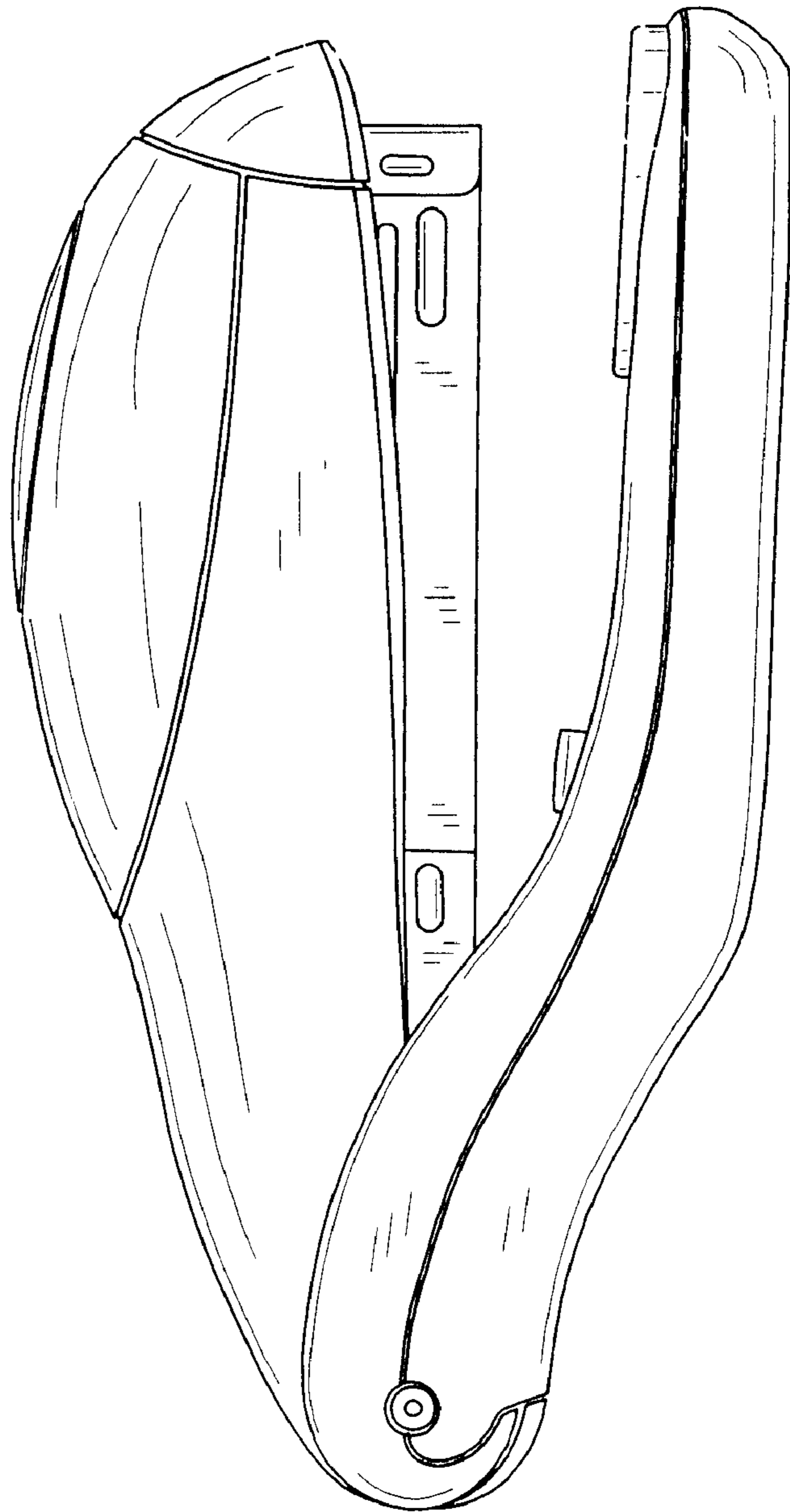


FIG. 4

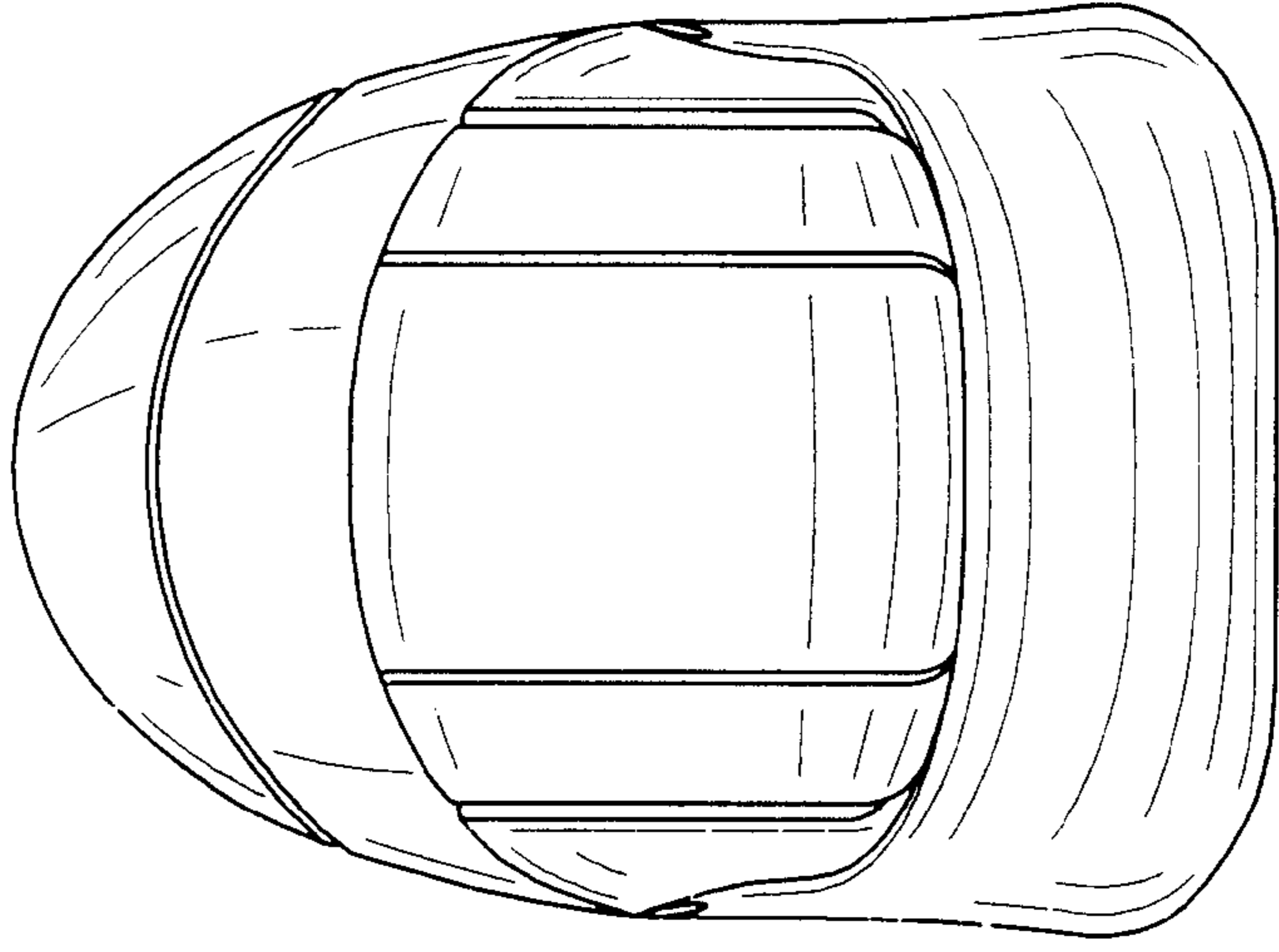


FIG. 3

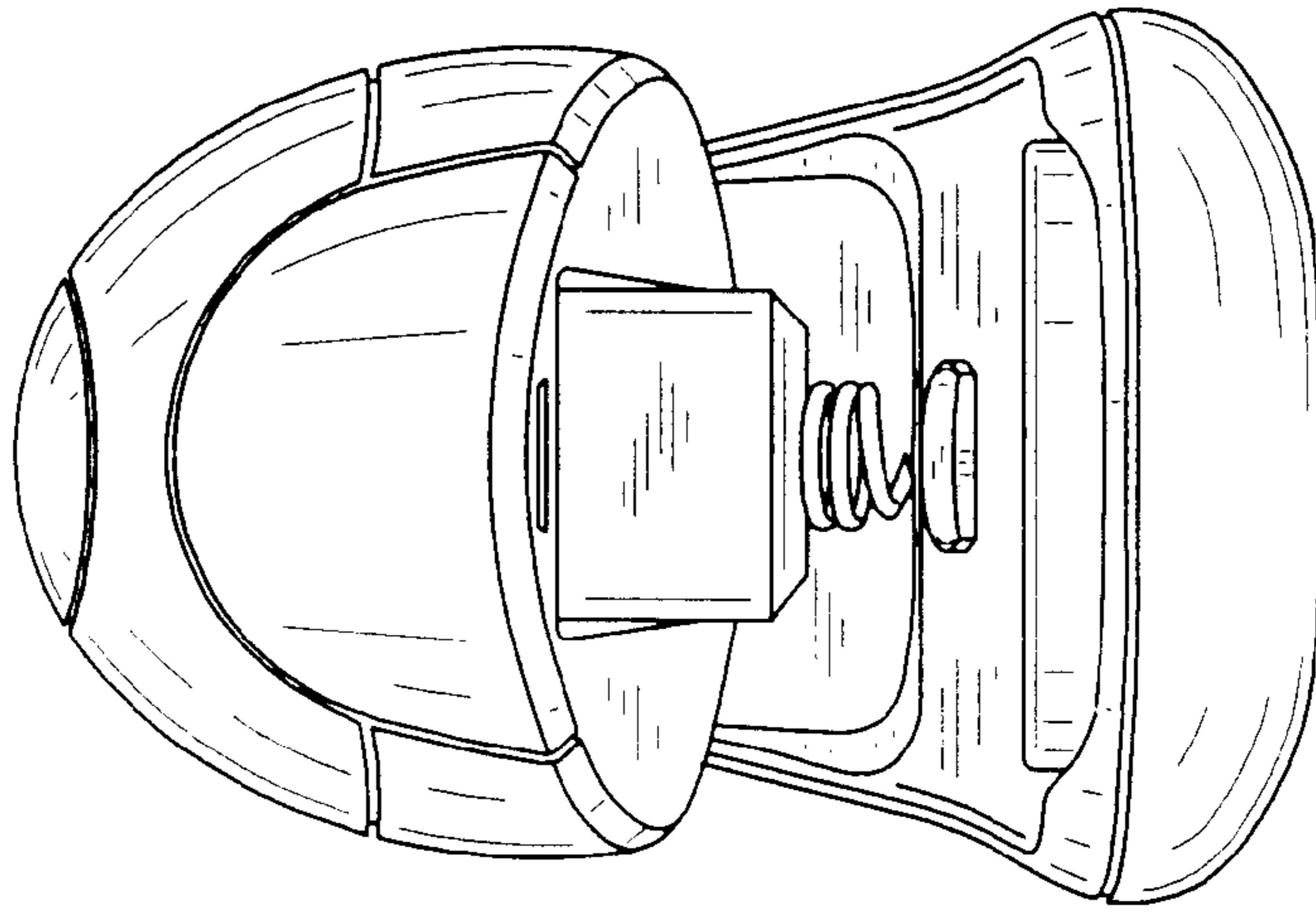


FIG. 5

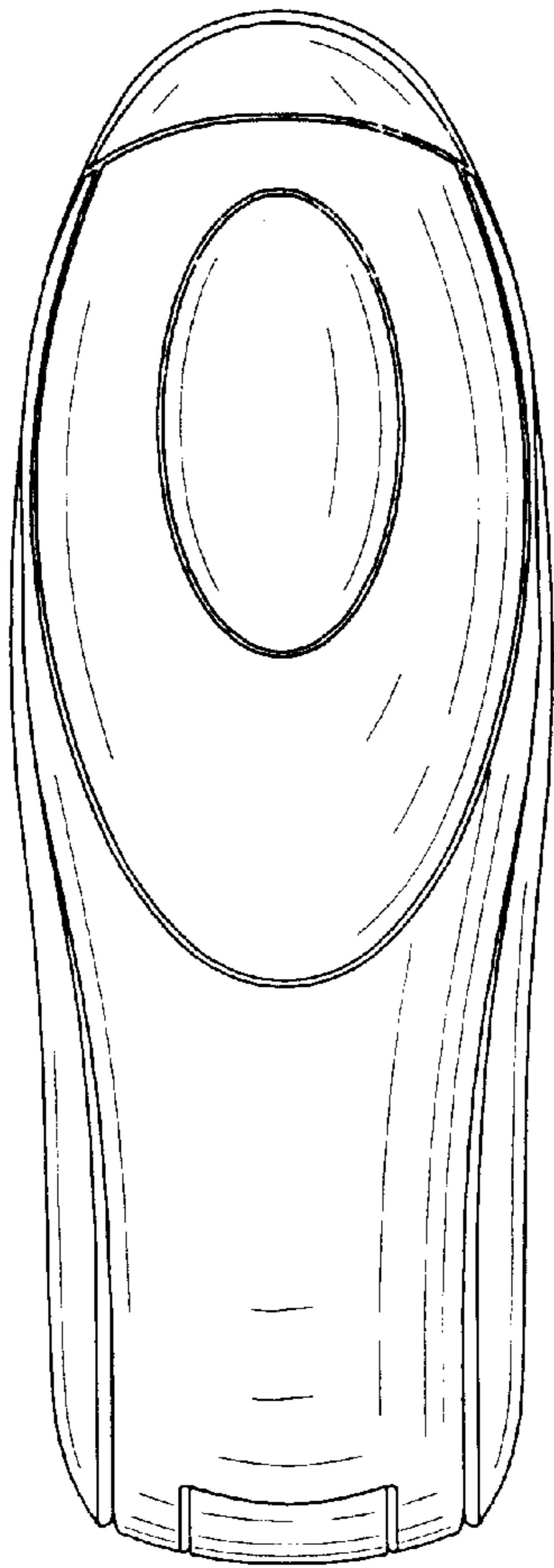


FIG. 6

