



US00D470021S

(12) **United States Design Patent**
Jalet

(10) **Patent No.:** **US D470,021 S**

(45) **Date of Patent:** **** Feb. 11, 2003**

(54) **KNIFE**

FOREIGN PATENT DOCUMENTS

(75) Inventor: **Vincent Jalet**, Brussels (BE)

DE 399520 8/1924
GB 14026 10/1884 30/340

(73) Assignee: **Dart Industries Inc.**, Orlando, FL (US)

OTHER PUBLICATIONS

(**) Term: **14 Years**

Goldschmiede-Zeitung, Aug. 1988, p. 32; Besteck-Modell knife, bottom section of page.*

(21) Appl. No.: **29/163,016**

* cited by examiner

(22) Filed: **Jun. 24, 2002**

Primary Examiner—Caron D. Veynar

(51) **LOC (7) Cl.** **07-03**

(74) *Attorney, Agent, or Firm*—John A. Doninger

(52) **U.S. Cl.** **D7/649**

(57) **CLAIM**

(58) **Field of Search** D7/642, 645, 649,
D7/650, 652, 662-664, 401.2; 30/142, 147-149,
340, 342-346

The ornamental design for a knife, as shown and described.

DESCRIPTION

(56) **References Cited**

FIG. 1 is a top, left side and handle-end perspective view of a knife showing the new design;

U.S. PATENT DOCUMENTS

FIG. 2. is a bottom, right side and handle-end perspective view thereof;

356,453 A	1/1887	Cox	
D131,683 S	*	3/1942	Sakhnoffsky D7/649
D181,942 S	*	1/1958	Olson D7/649
D210,346 S	*	2/1968	Wallance D7/649
D231,071 S	*	4/1974	Hill D7/650
4,317,284 A		3/1982	Prindle 30/340
D346,722 S		5/1994	Burdick et al. D7/645
D433,288 S		11/2000	Chien D7/649
D434,616 S	*	12/2000	Joergensen D7/650

FIG. 3 is a left side elevation view thereof;

FIG. 4 is a right side elevation view thereof;

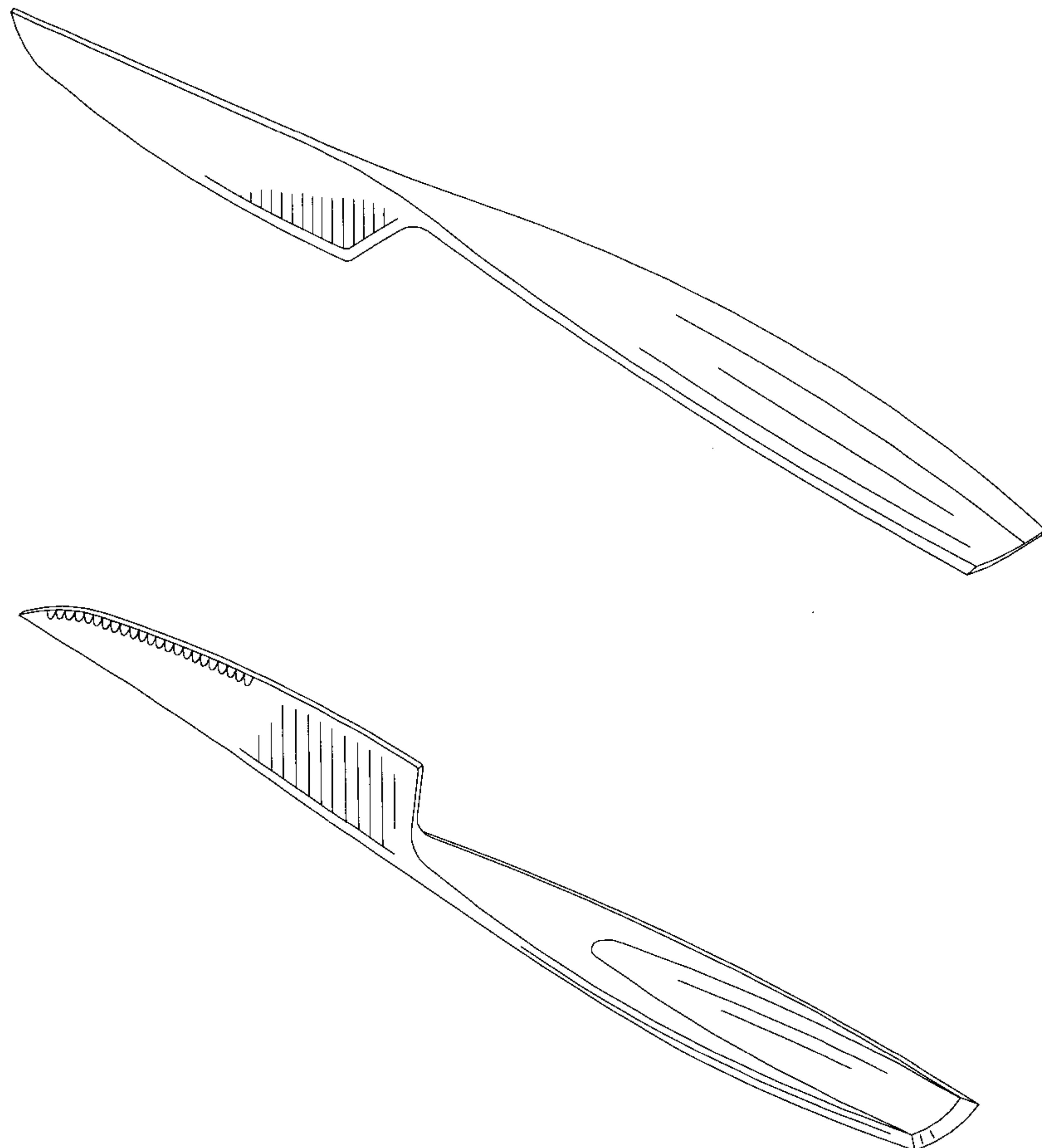
FIG. 5 is a handle-end elevation view thereof;

FIG. 6 is an implement-end elevation view thereof;

FIG. 7 is a top plan view thereof; and,

FIG. 8 is a bottom plan view thereof.

1 Claim, 4 Drawing Sheets



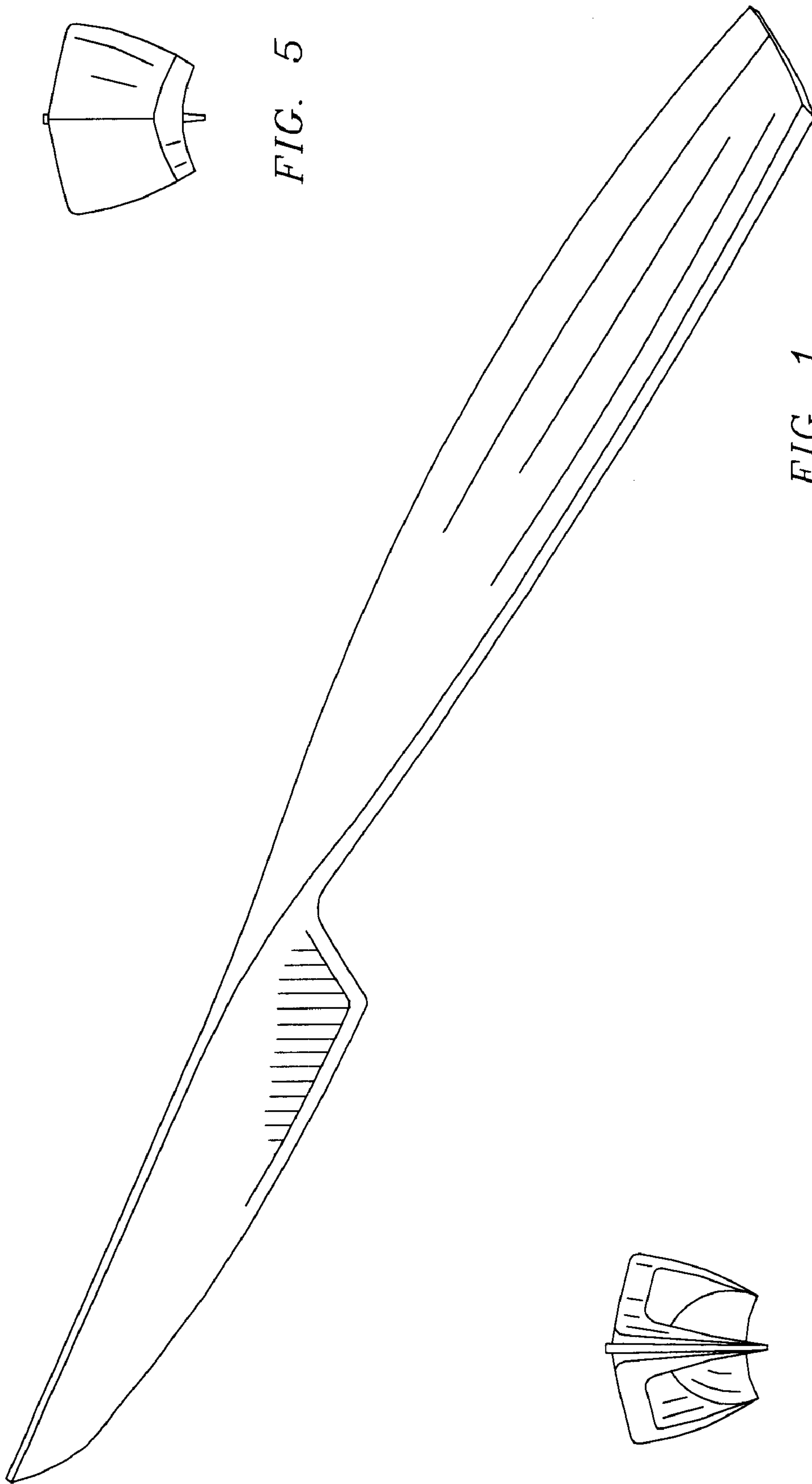


FIG. 1

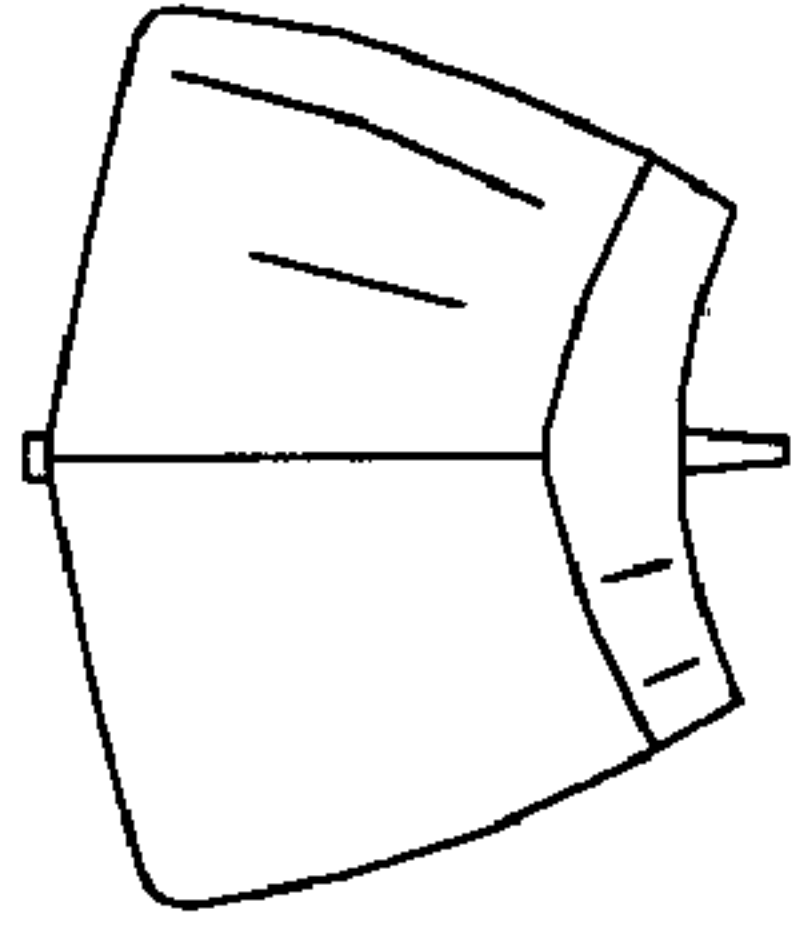


FIG. 5

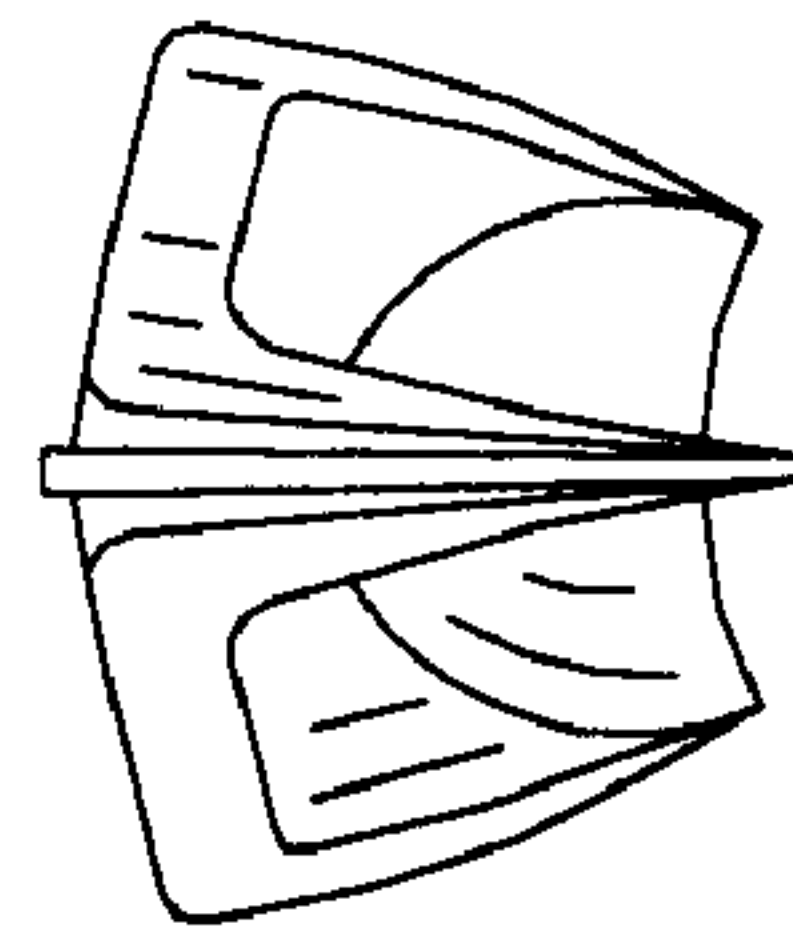


FIG. 6

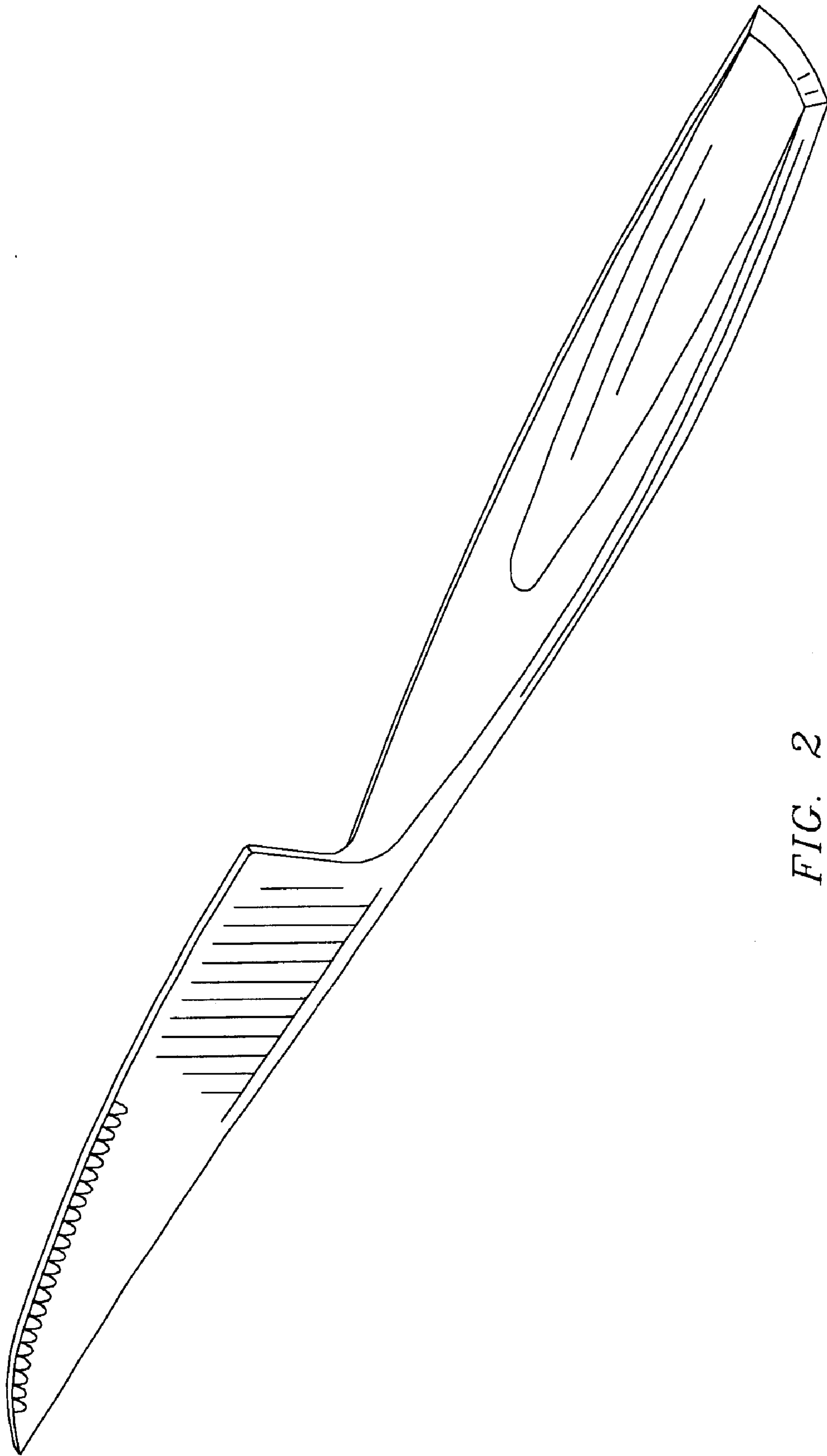


FIG. 2

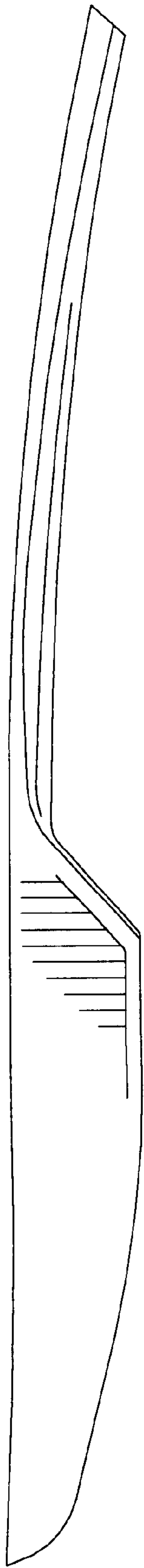


FIG. 3

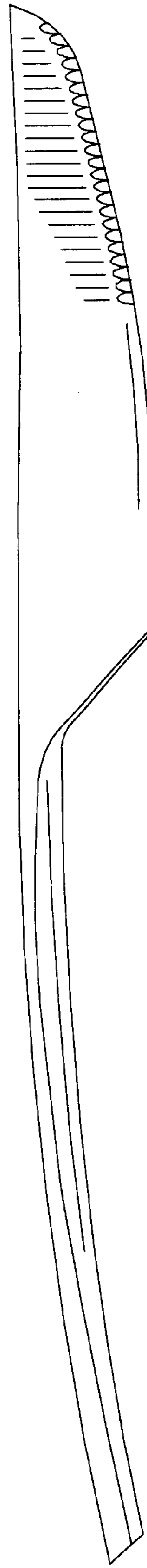


FIG. 4

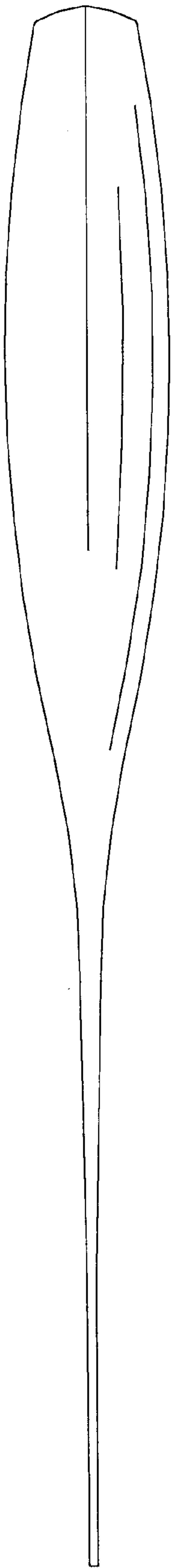


FIG. 7

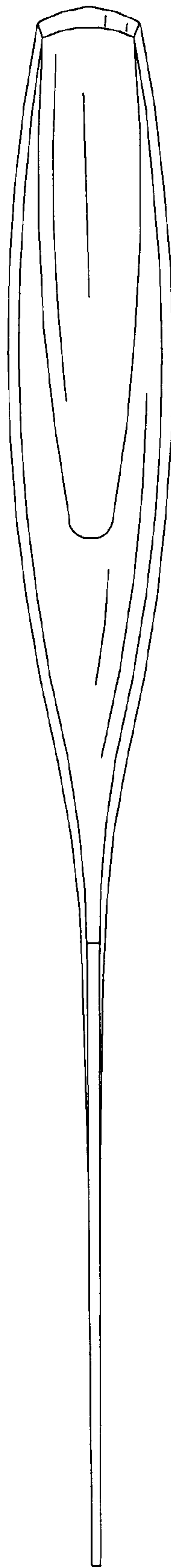


FIG. 8