



US00D470018S

(12) **United States Design Patent**  
**Claypool**

(10) **Patent No.:** **US D470,018 S**

(45) **Date of Patent:** **\*\* Feb. 11, 2003**

(54) **CONTAINER**

(75) **Inventor:** **Christopher J. Claypool**, Orlando, FL (US)

(73) **Assignee:** **Dart Industries Inc.**, Orlando, FL (US)

(\*\*) **Term:** **14 Years**

(21) **Appl. No.:** **29/161,174**

(22) **Filed:** **May 22, 2002**

(51) **LOC (7) Cl.** ..... **07-01**

(52) **U.S. Cl.** ..... **D7/602; D7/545**

(58) **Field of Search** ..... D7/601, 602, 629,  
D7/612-615, 538-542; D9/415, 418, 423-425,  
432; 220/281-662, 675, 780-788, 792-799,  
805

(56) **References Cited**

**U.S. PATENT DOCUMENTS**

D188,553 S	8/1960	Tupper
3,511,288 A	5/1970	Swett
D232,412 S	8/1974	Schmitt
D241,600 S	9/1976	Ashton

D241,703 S	10/1976	Ashton	
4,412,630 A	* 11/1983	Daenen	220/792
4,694,961 A	9/1987	Menendez	
4,976,370 A	* 12/1990	Cassel	220/792
D330,513 S	10/1992	Gilchrist	
D369,282 S	* 4/1996	Arduini	D7/629

\* cited by examiner

*Primary Examiner*—Terry A. Wallace

(74) *Attorney, Agent, or Firm*—John A. Doninger

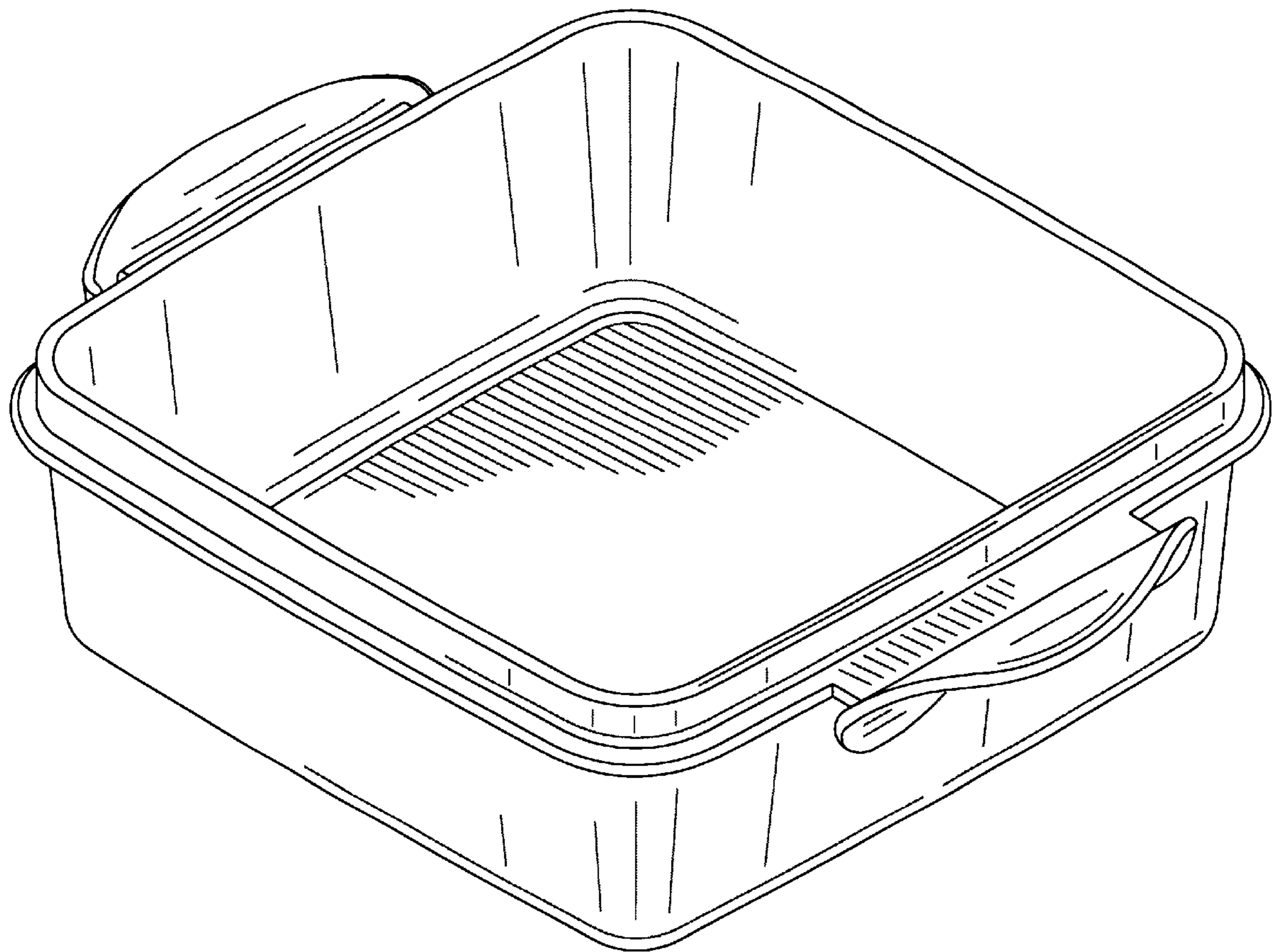
(57) **CLAIM**

The ornamental design for a container, as shown and described.

**DESCRIPTION**

FIG. 1 is a top, side and front perspective view of a container showing the new design;  
FIG. 2 is a front elevation view, the rear elevation view being identical thereto;  
FIG. 3 is a left side elevation view, the right side elevation view being identical thereto;  
FIG. 4 is a top plan view thereof; and,  
FIG. 5 is a bottom plan view thereof.

**1 Claim, 3 Drawing Sheets**



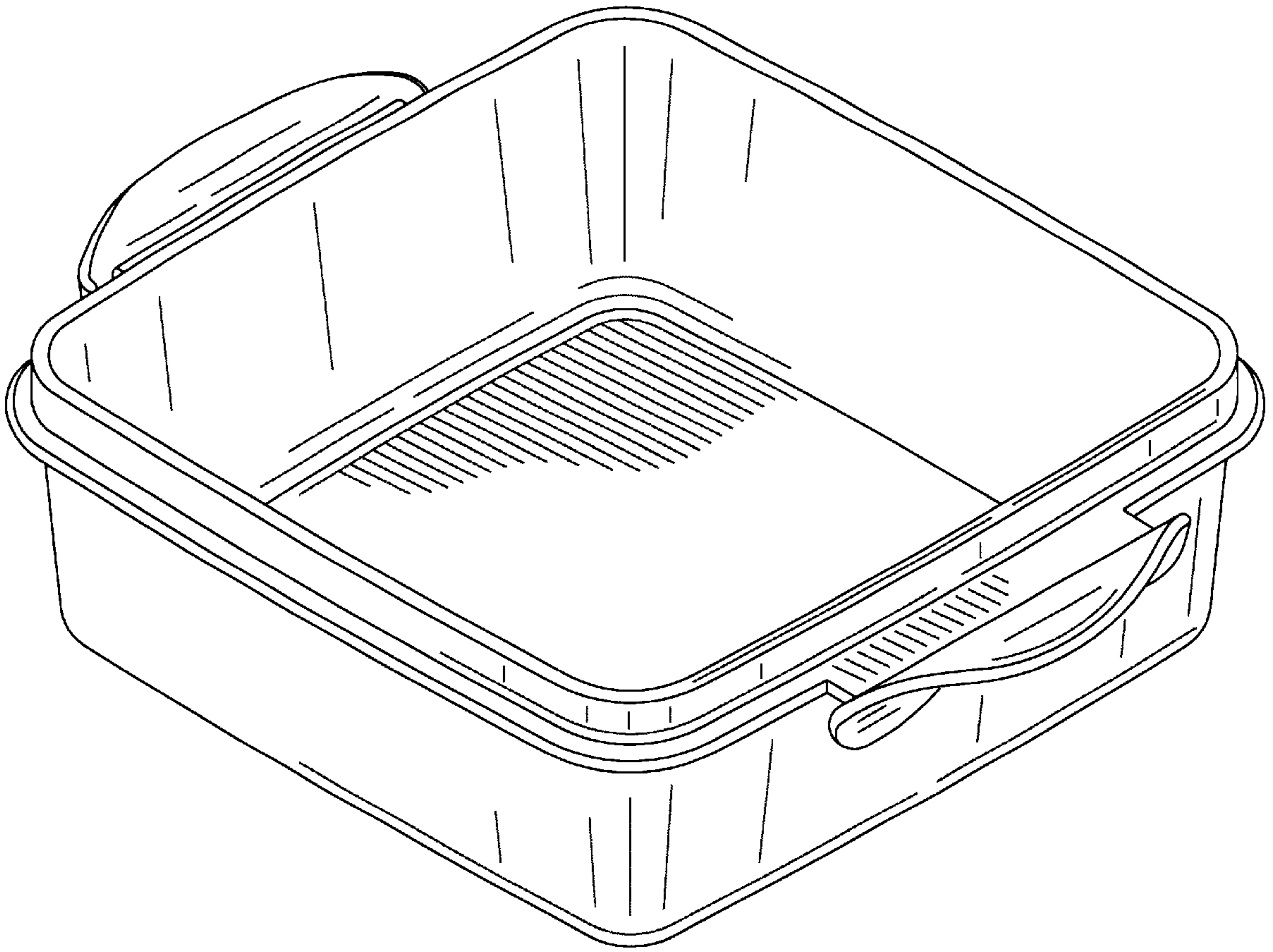


FIG. 1

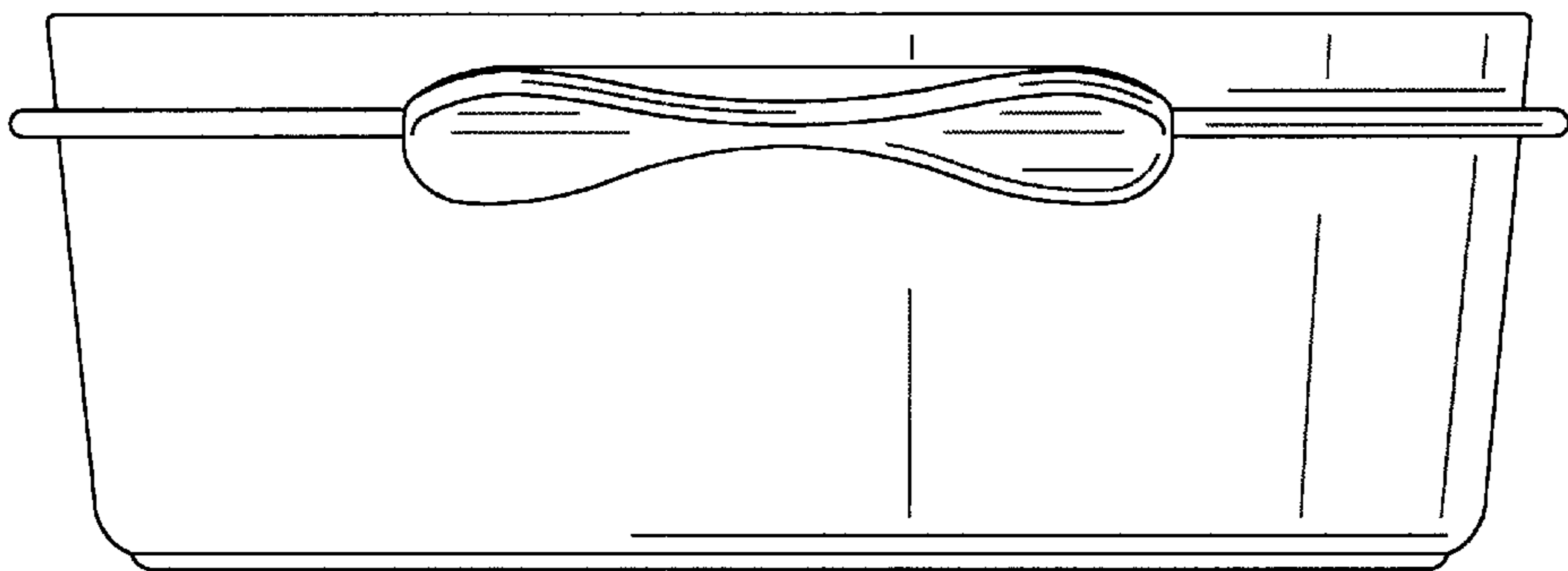


FIG. 2

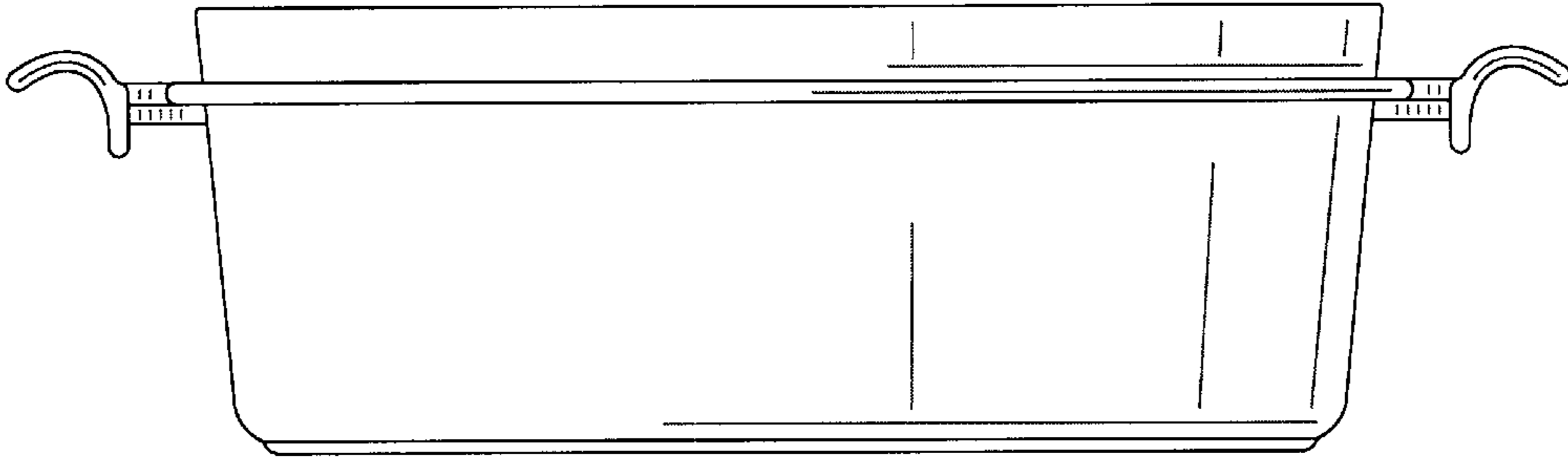


FIG. 3

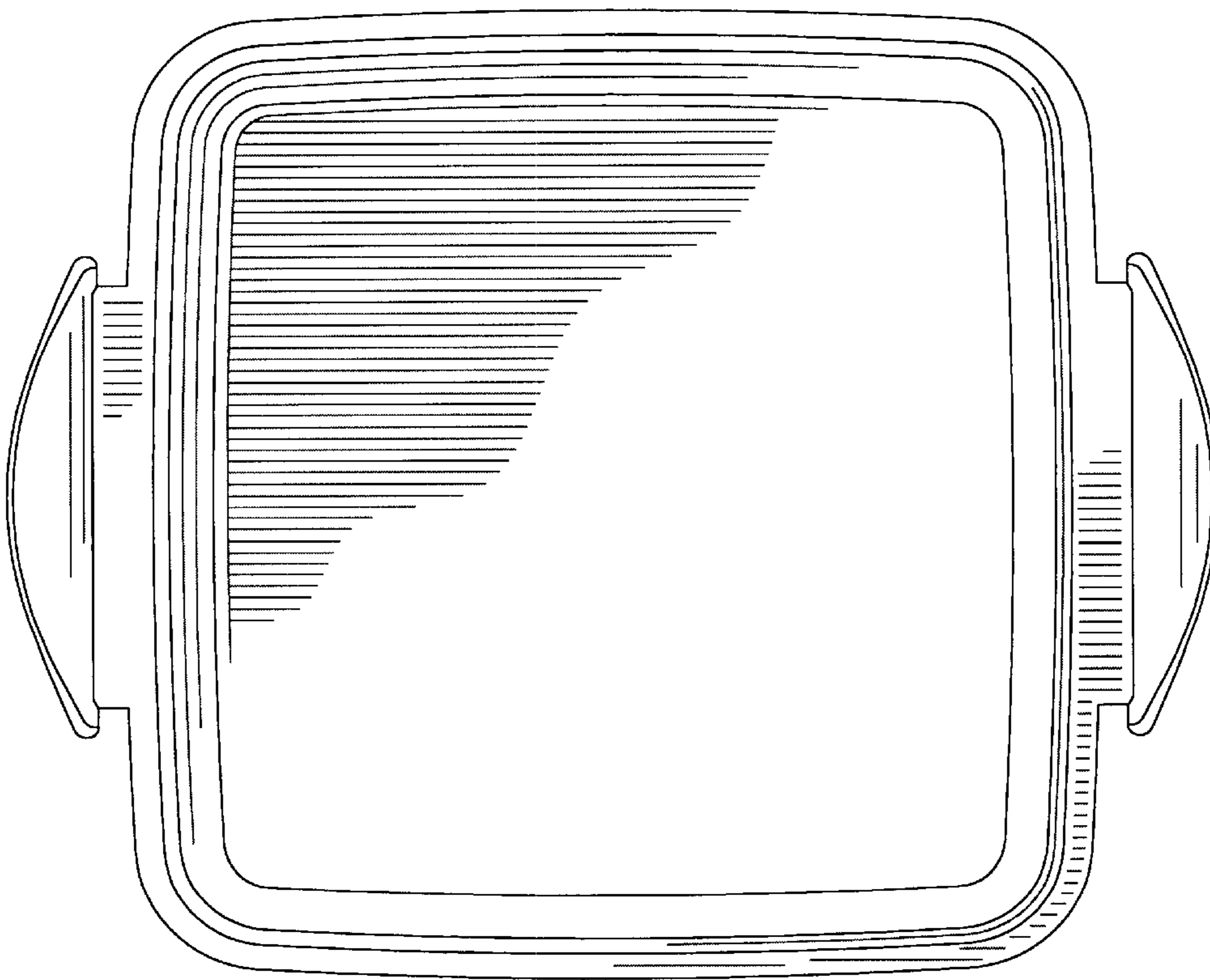


FIG. 4

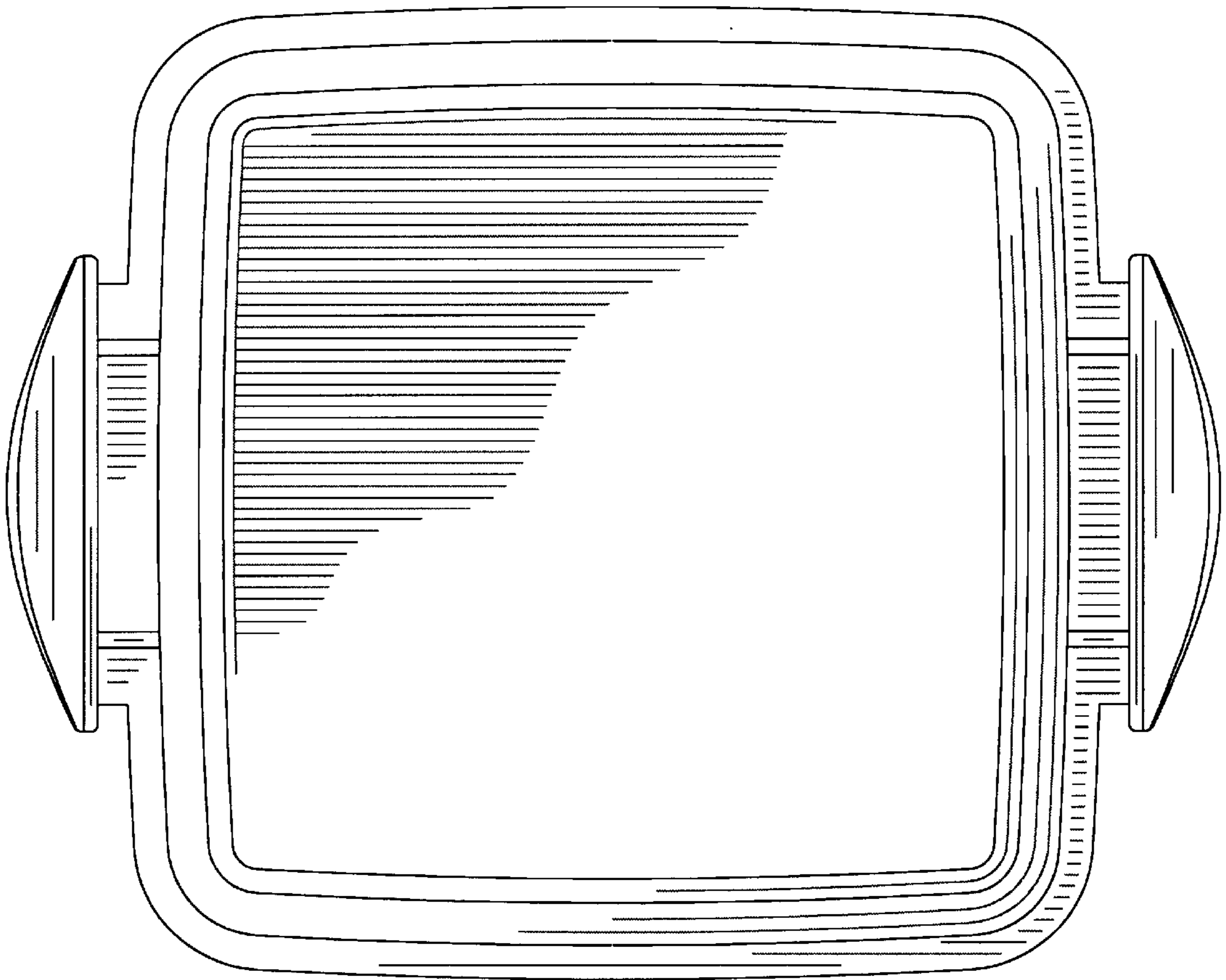


FIG. 5