



US00D470017S

(12) **United States Design Patent**
Chan

(10) **Patent No.:** **US D470,017 S**

(45) **Date of Patent:** **** Feb. 11, 2003**

(54) **SET OF CONDIMENT CONTAINERS**

D321,627 S * 11/1991 Plough D7/596

(75) Inventor: **Chik Sum Chan**, Yuen Long (HK)

* cited by examiner

(73) Assignee: **Kado Industrial Co., Ltd.**, Shatin (HK)

Primary Examiner—Terry A. Wallace

(74) *Attorney, Agent, or Firm*—Hall Priddy Myers & Vande Sande

(**) Term: **14 Years**

(57) **CLAIM**

(21) Appl. No.: **29/150,264**

The ornamental design for a set of condiment containers, as shown and described.

(22) Filed: **Nov. 19, 2001**

(30) **Foreign Application Priority Data**

DESCRIPTION

Aug. 20, 2001 (GB) 2104216

FIG. 1 is a top perspective view of the article in an engaged position.

(51) **LOC (7) Cl.** **07-06**

FIG. 2 is a side view of the article in the engaged position.

(52) **U.S. Cl.** **D7/596**

FIG. 3 is a front view of the article in the engaged position.

(58) **Field of Search** D7/591-597, 679; D9/500, 515, 549, 559, 574, 575; 222/142.1, 142.9, 480; 241/168, 169, 169.1, 262, 286

FIG. 4 is a top view of the article in the engaged position.

FIG. 5 is a bottom view of the article in the engaged position; and,

(56) **References Cited**

FIG. 6 is a top perspective view of the article in disengaged position.

U.S. PATENT DOCUMENTS

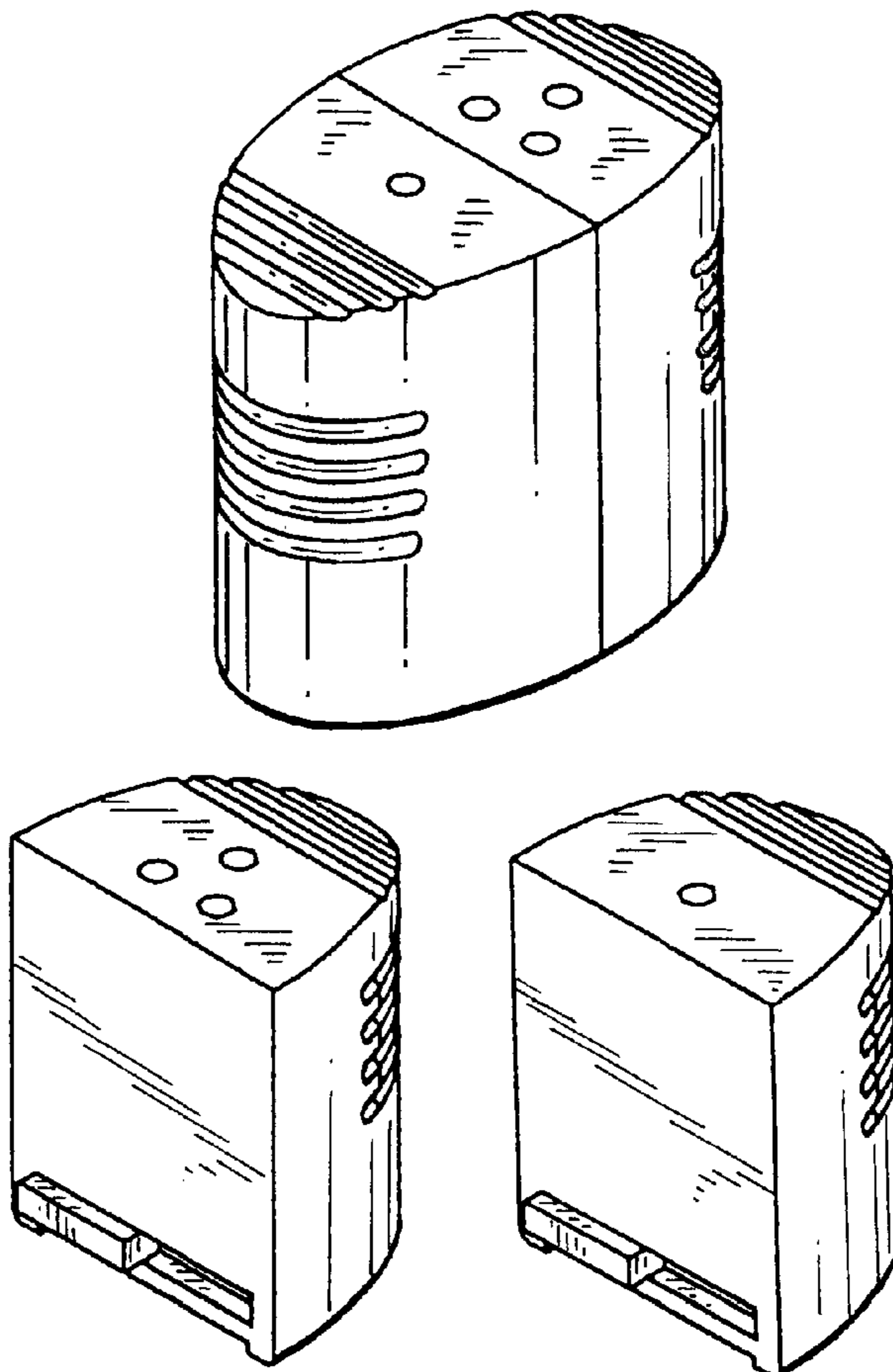
If portions of the structures shown in the drawings include broken lines, such portions represent environment(s) in which the claimed design may be used.

2,376,855 A * 5/1945 Hanley 222/142.3 X

2,812,115 A * 11/1957 Pehr 222/142.6

D306,388 S * 3/1990 Pozzi D7/591

1 Claim, 2 Drawing Sheets



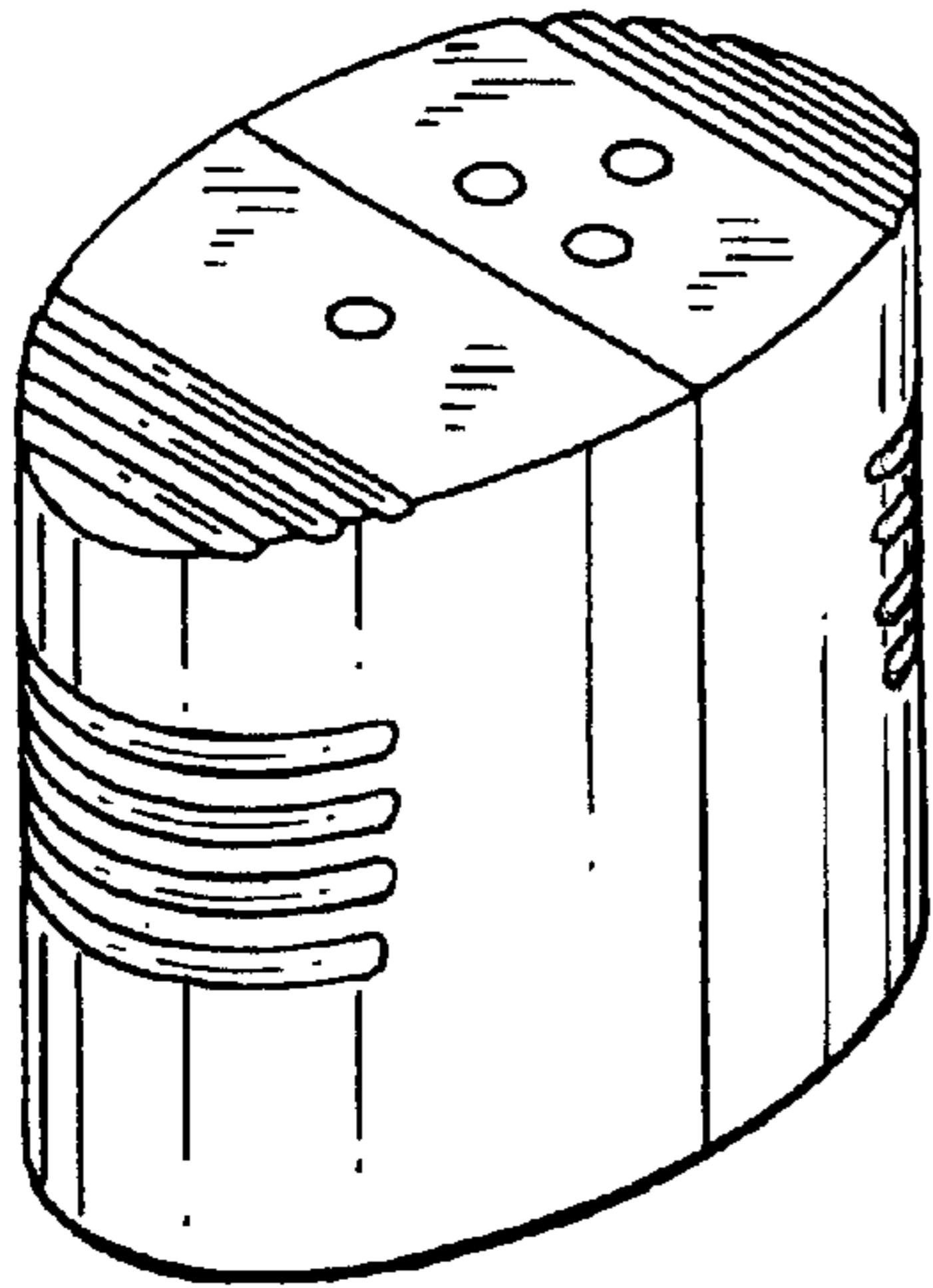


FIG. 1

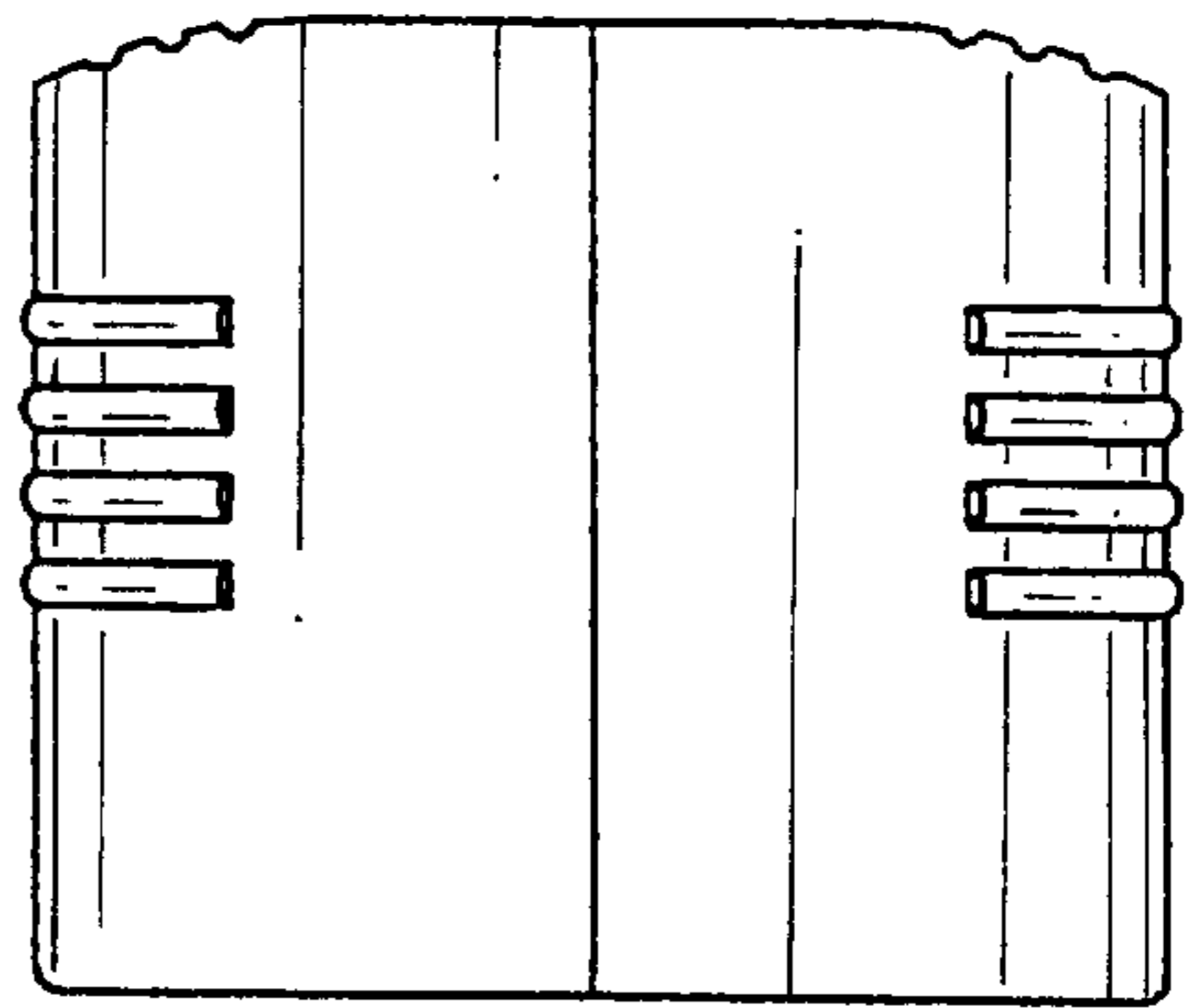


FIG. 2

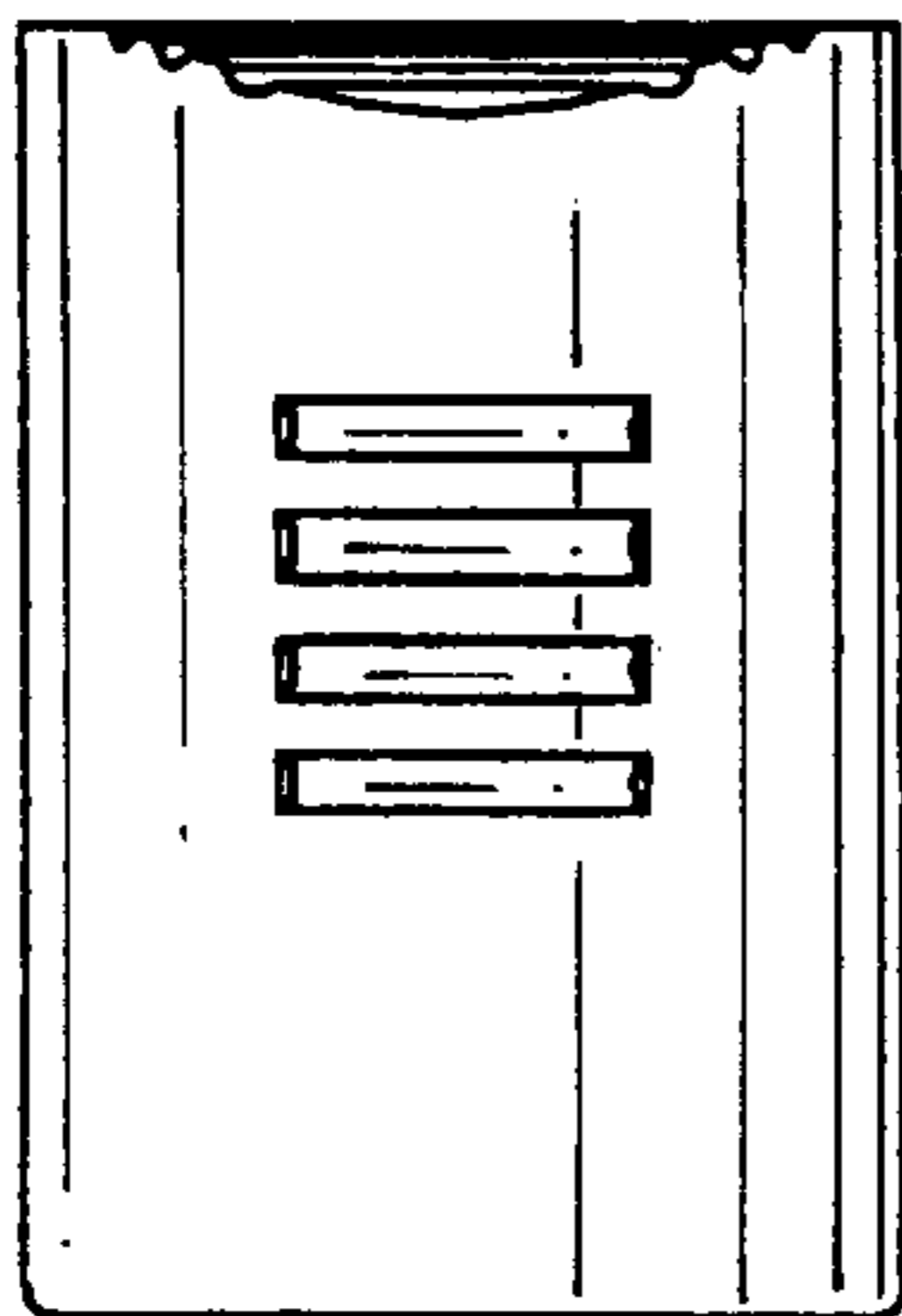


FIG. 3

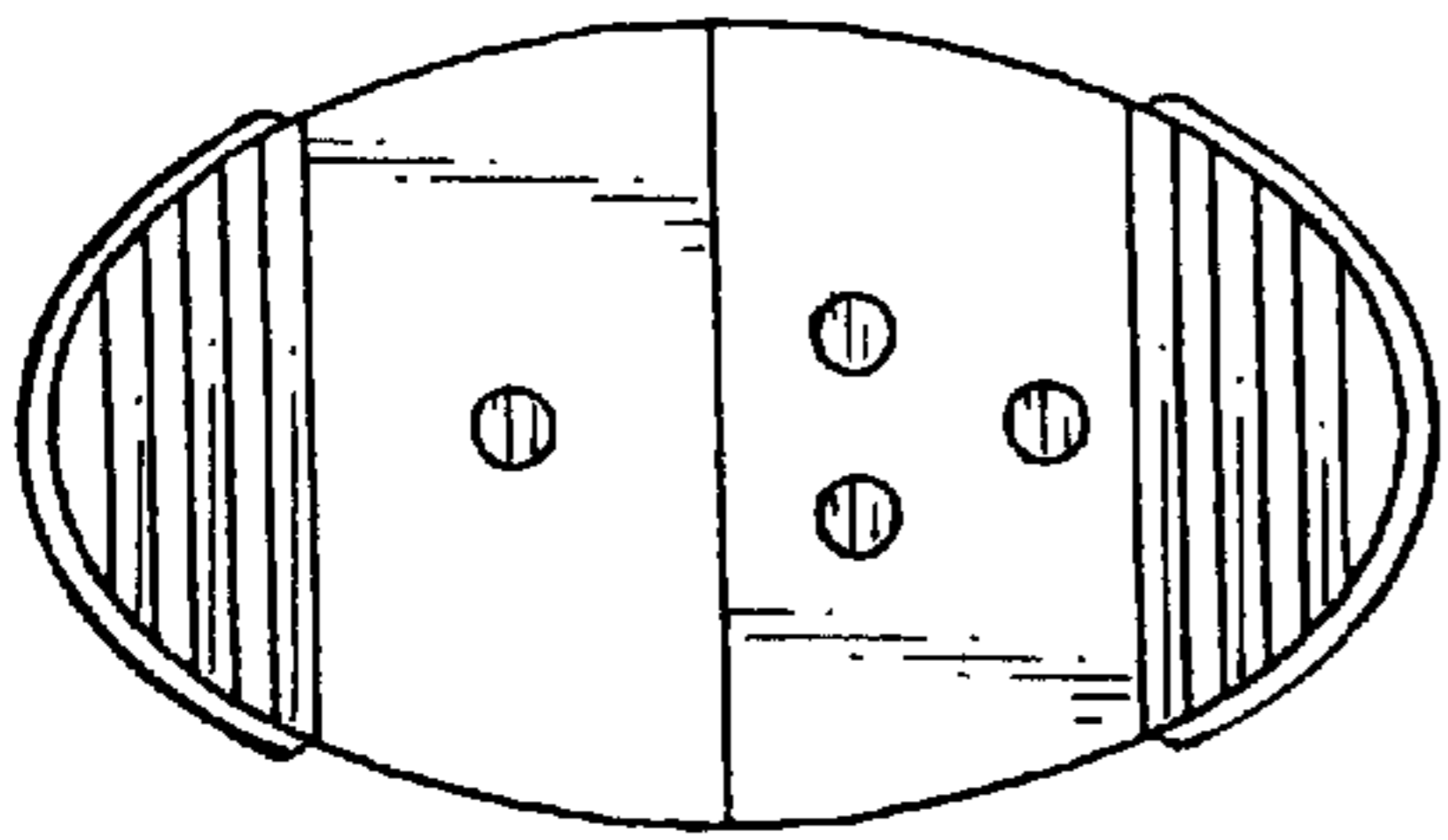


FIG. 4

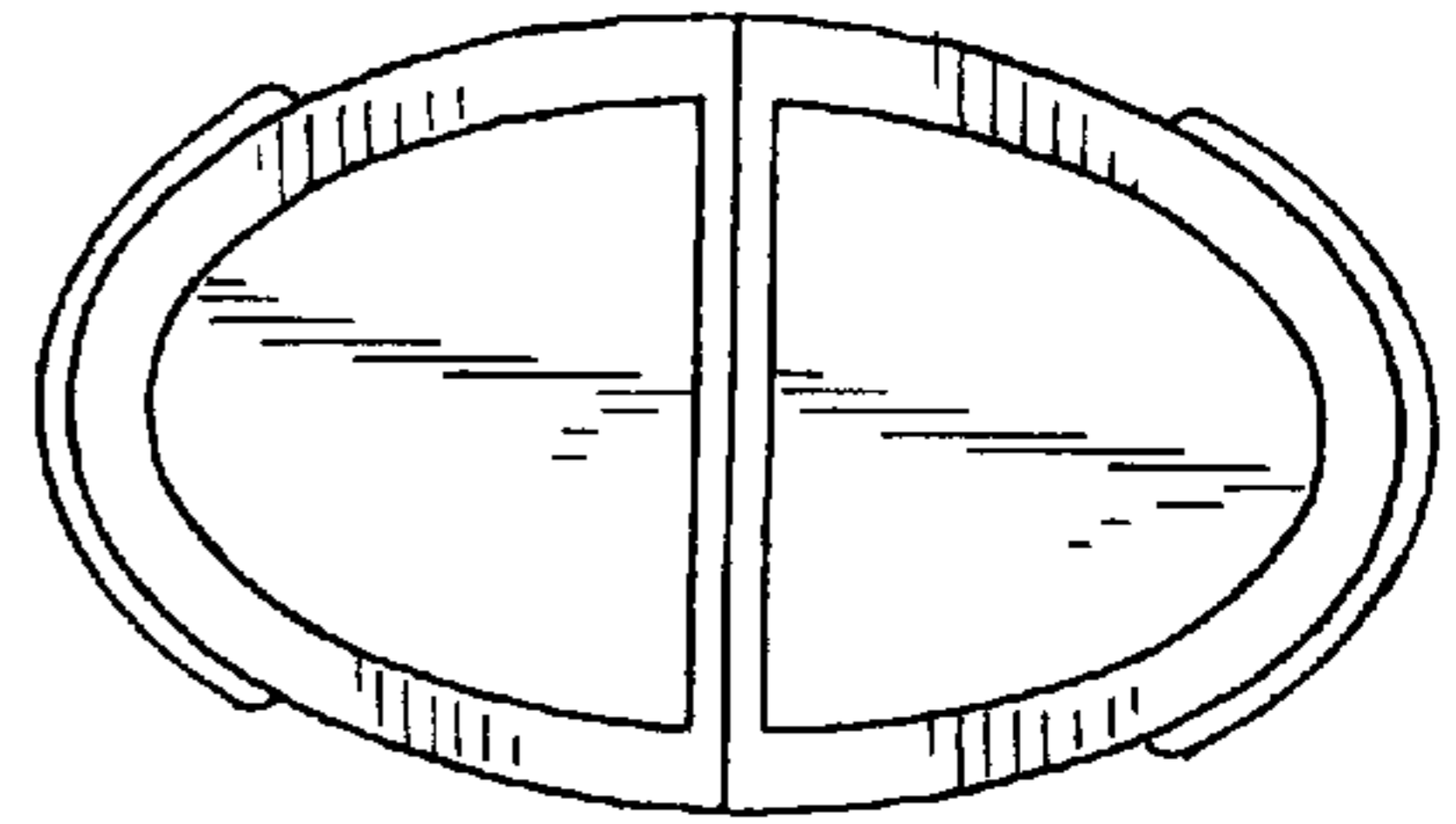


FIG. 5

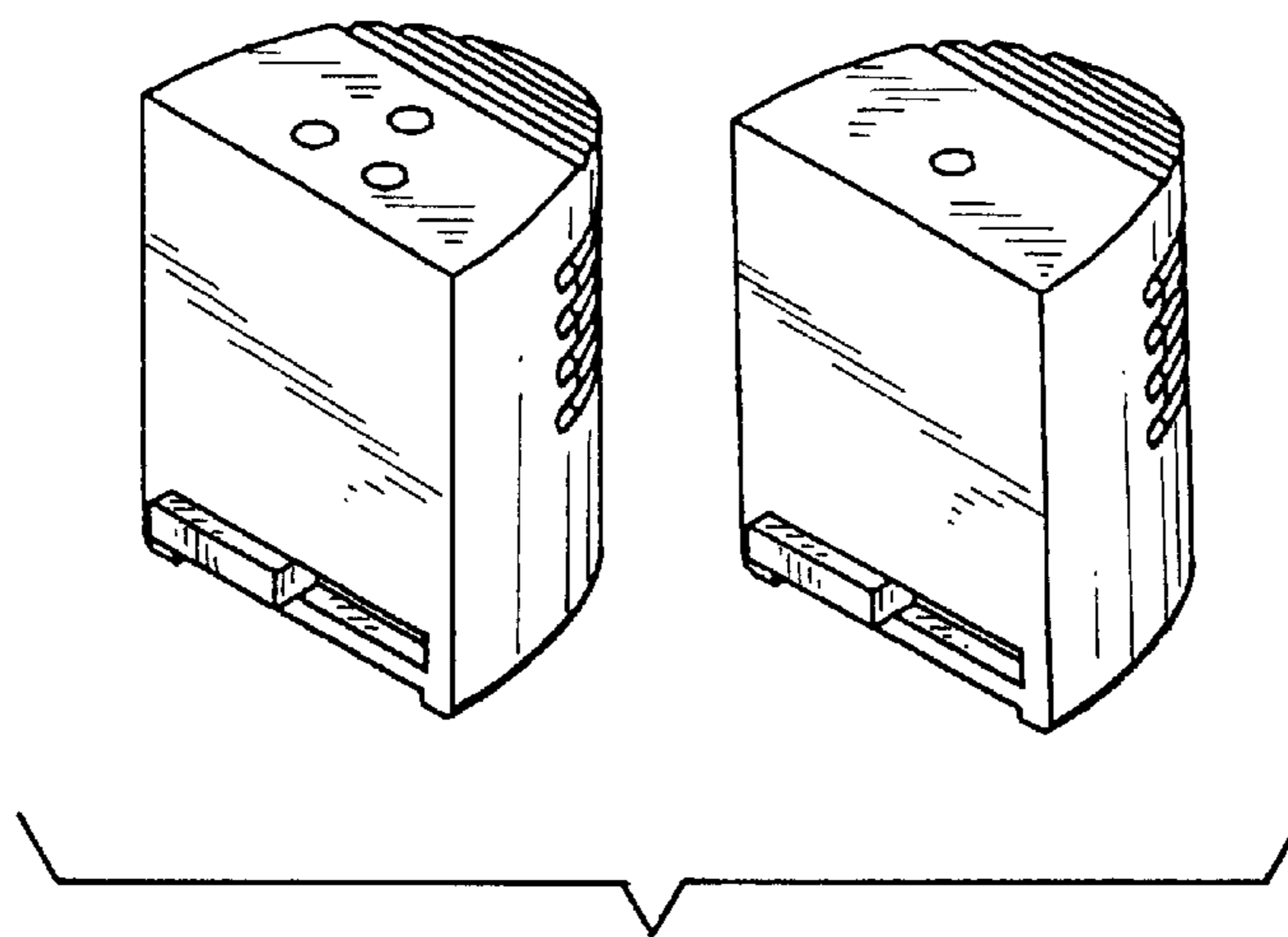


FIG. 6