



US00D470015S

(12) **United States Design Patent**
Kortleven et al.

(10) **Patent No.:** **US D470,015 S**

(45) **Date of Patent:** **** Feb. 11, 2003**

(54) **COFFEE CUP WITH RAISED HANDLE AREA**

(75) Inventors: **Hanno Kortleven**, Hofstade (BE);
Victor J. J. Cautereels, Ranst (BE)

(73) Assignee: **Dart Industries Inc.**, Orlando, FL (US)

(**) Term: **14 Years**

(21) Appl. No.: **29/146,723**

(22) Filed: **Aug. 14, 2001**

(51) **LOC (7) Cl.** **07-02**

(52) **U.S. Cl.** **D7/536; D7/519**

(58) **Field of Search** D21/609; D7/543,
D7/533, 545, 547, 509, 516, 523, 532;
229/400; 206/519, 520

(56) **References Cited**

U.S. PATENT DOCUMENTS

1,985,375	A	*	12/1934	Krueger	229/400
D106,437	S		10/1937	Guild	D7/584
D144,223	S	*	3/1946	Stumph	D7/533
D169,483	S	*	5/1953	Herdecker	D7/533
2,728,515	A	*	12/1955	Rodman	229/71
D205,534	S		8/1966	Gulotta	D7/584
3,971,471	A	*	7/1976	Ludder	206/519
4,197,948	A	*	4/1980	Amberg et al.	206/520
D313,535	S		1/1991	Unger	D7/584
D318,980	S		8/1991	Unger	D7/584
D423,292	S		4/2000	Horvat	D7/584

FOREIGN PATENT DOCUMENTS

GB 2103689 * 8/2001

* cited by examiner

Primary Examiner—Doris V. Coles

(74) *Attorney, Agent, or Firm*—Taylor J. Ross

(57) **CLAIM**

The ornamental design for a coffee cup with raised handle area, as shown and described.

DESCRIPTION

FIG. 1 is at top, side and front perspective view of a first embodiment of a coffee cup with raised handle area showing the new design;

FIG. 2 is a front elevation view thereof;

FIG. 3 is a rear elevation view thereof;

FIG. 4 is a left side elevation view thereof;

FIG. 5 is a right side elevation view thereof;

FIG. 6 is a top plan view thereof;

FIG. 7 is a bottom plan view thereof;

FIG. 8 is a top, side and front perspective view of a second embodiment of a coffee cup with a raised handle area showing the new design;

FIG. 9 is a front elevation view thereof;

FIG. 10 is a rear elevation view thereof;

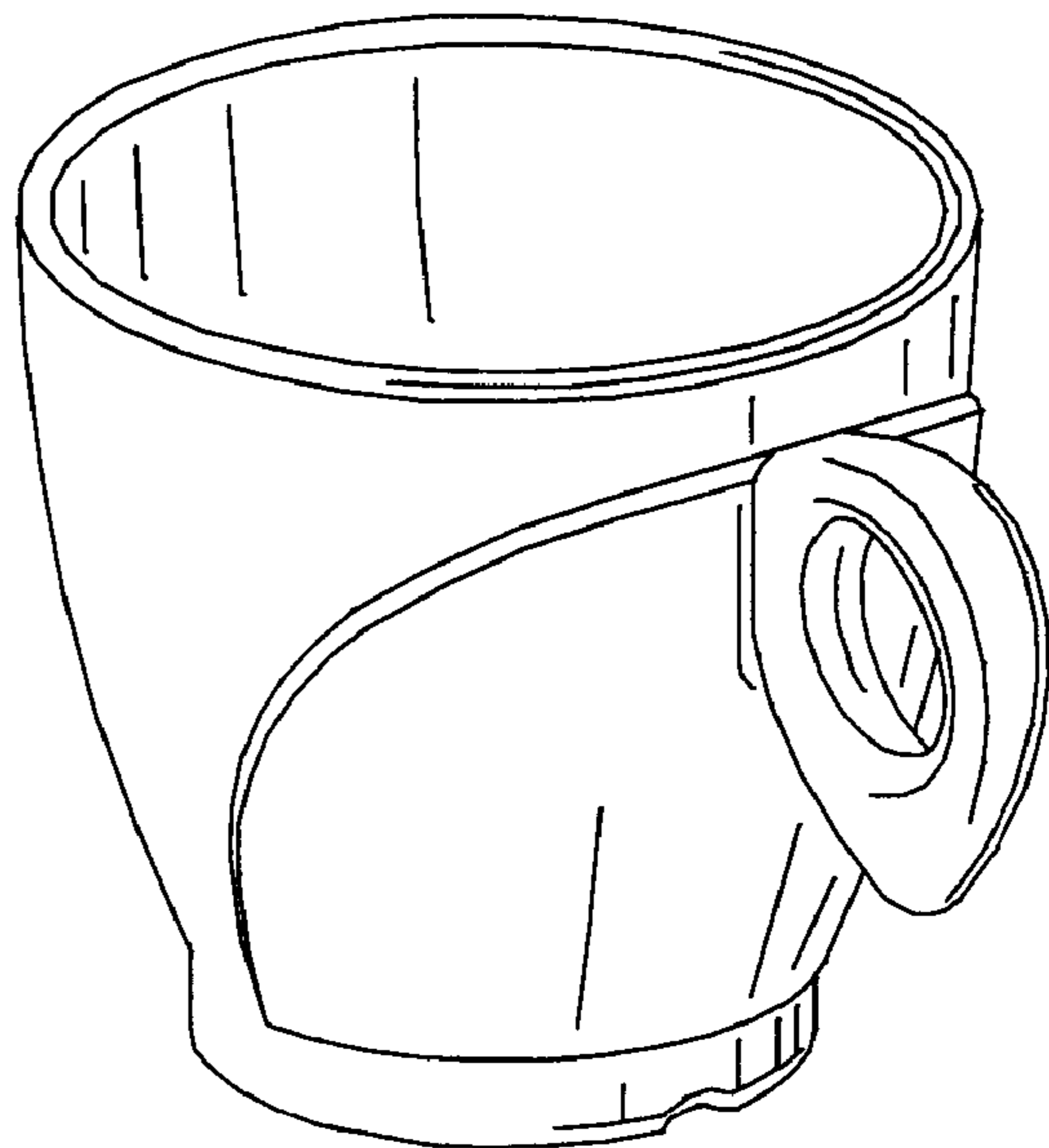
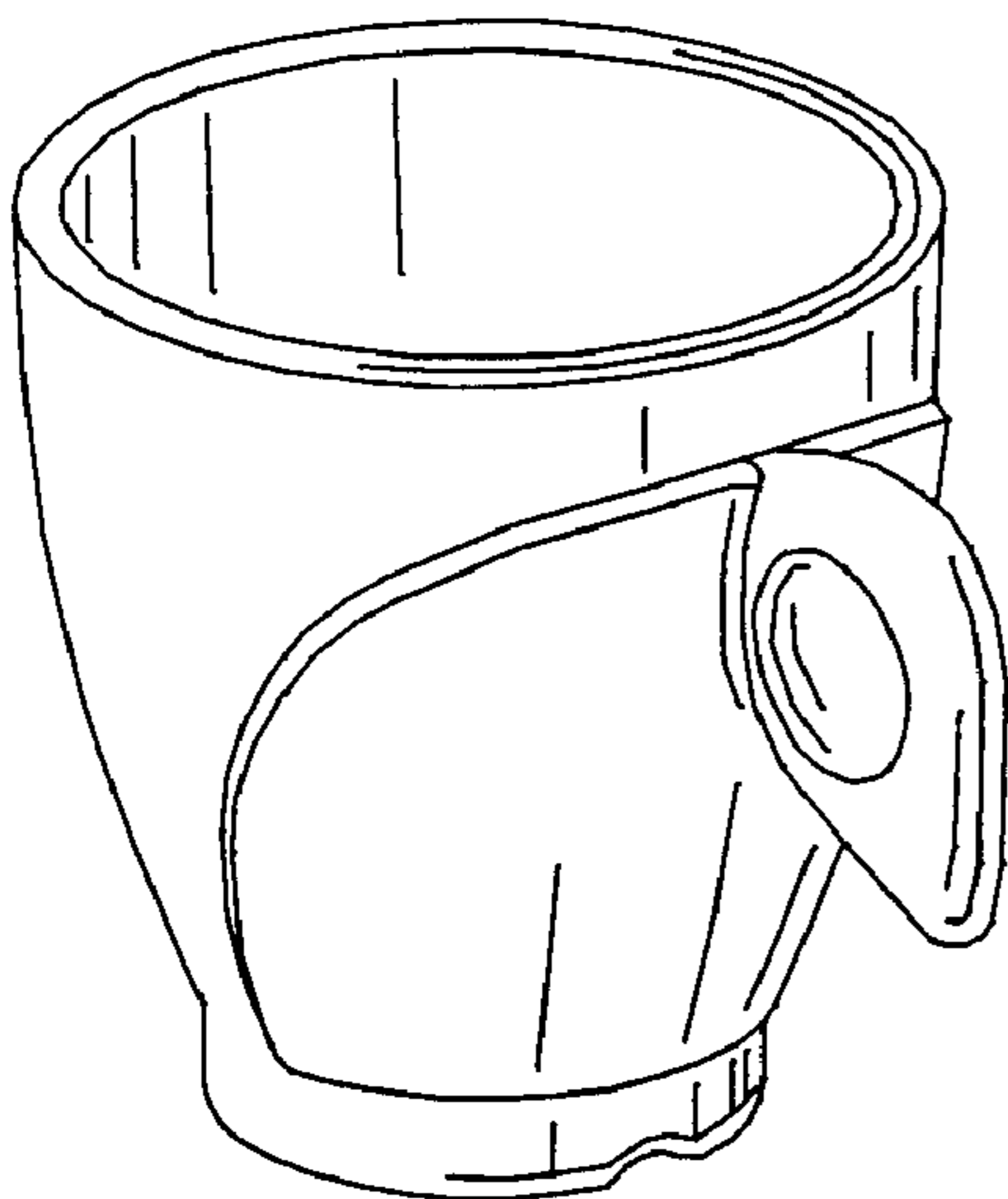
FIG. 11 is a left side elevation view thereof;

FIG. 12 is a right side elevation view thereof;

FIG. 13 is a top plan view thereof; and,

FIG. 14 is a bottom plan view thereof.

1 Claim, 5 Drawing Sheets



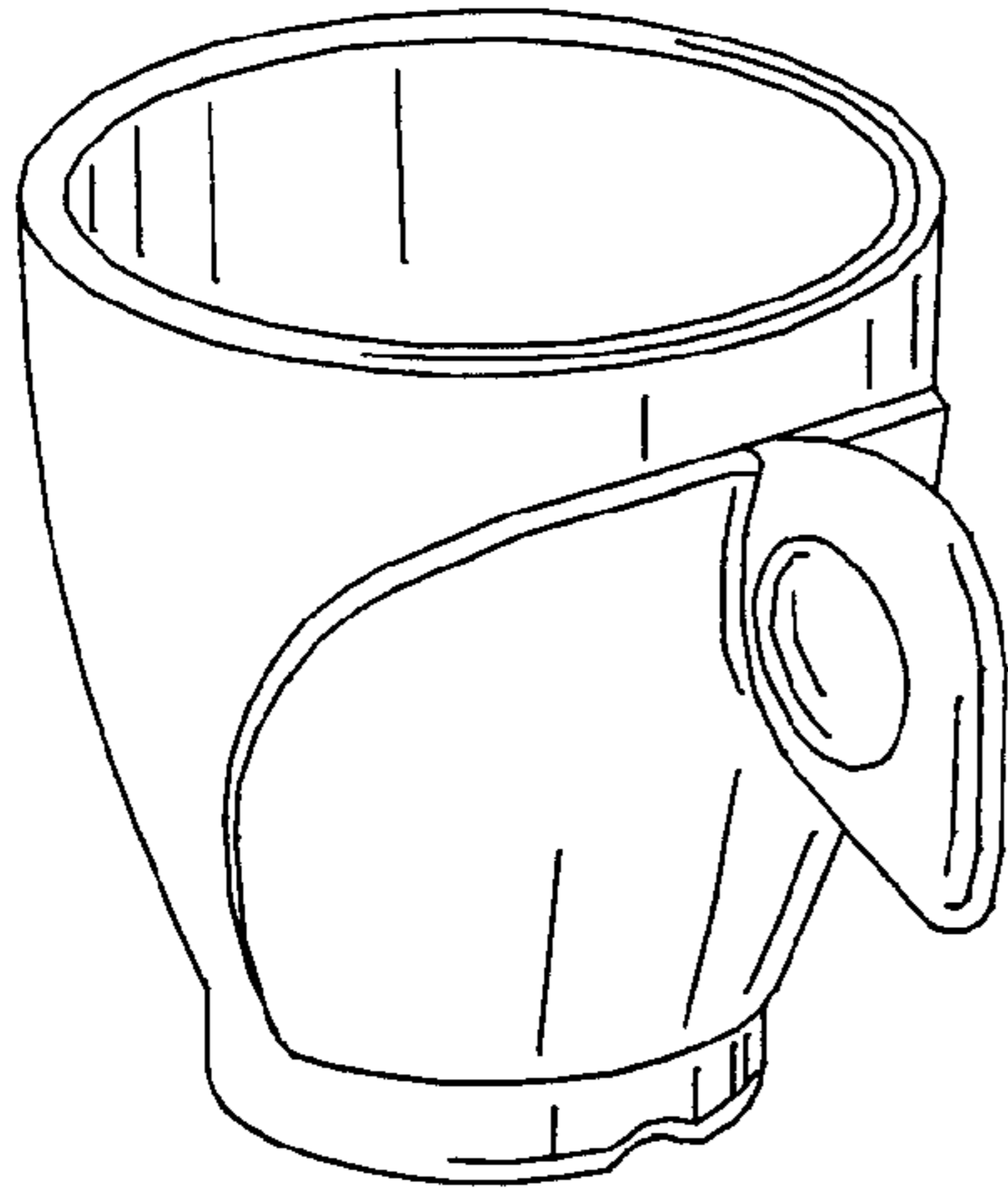


FIG. 1

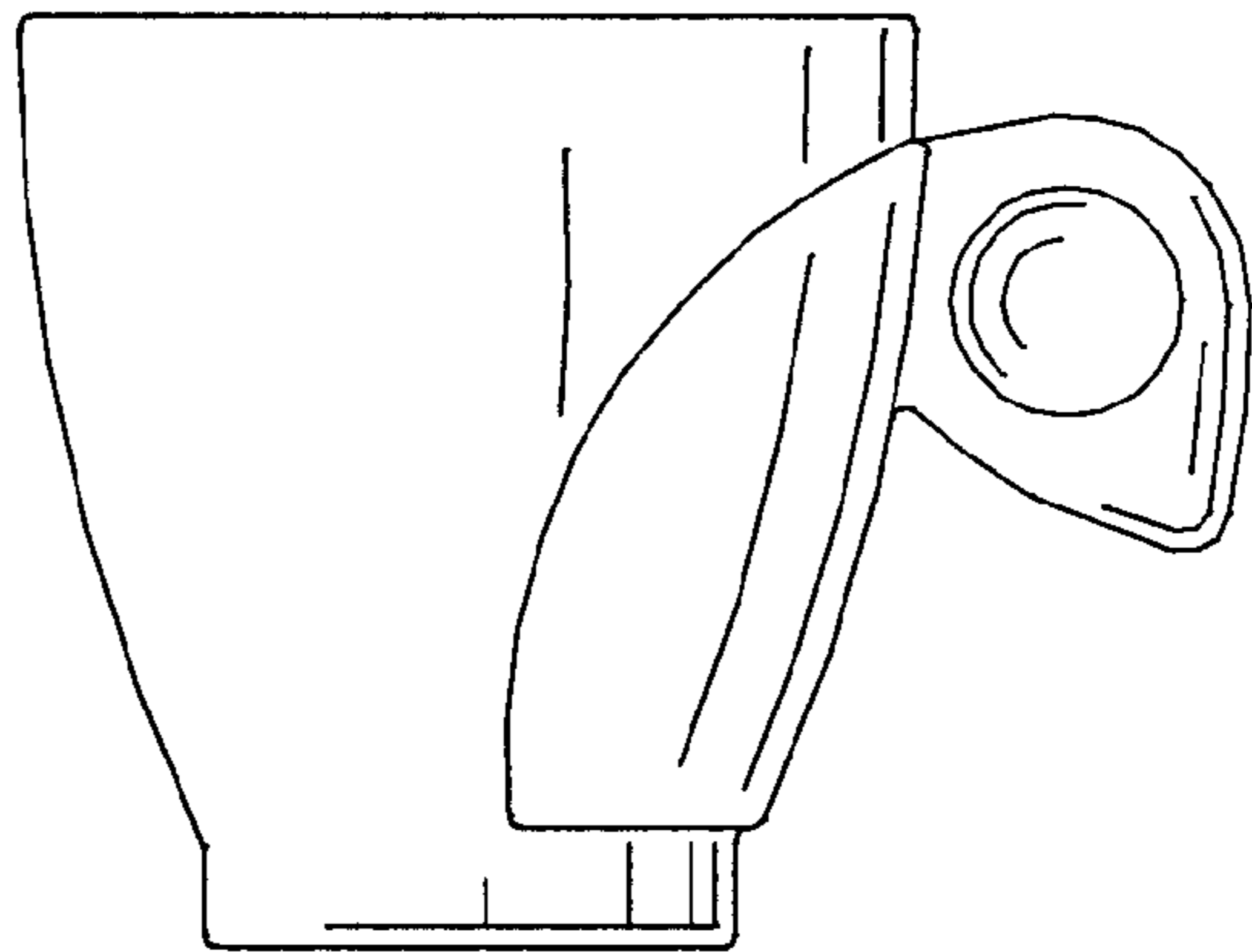


FIG. 2

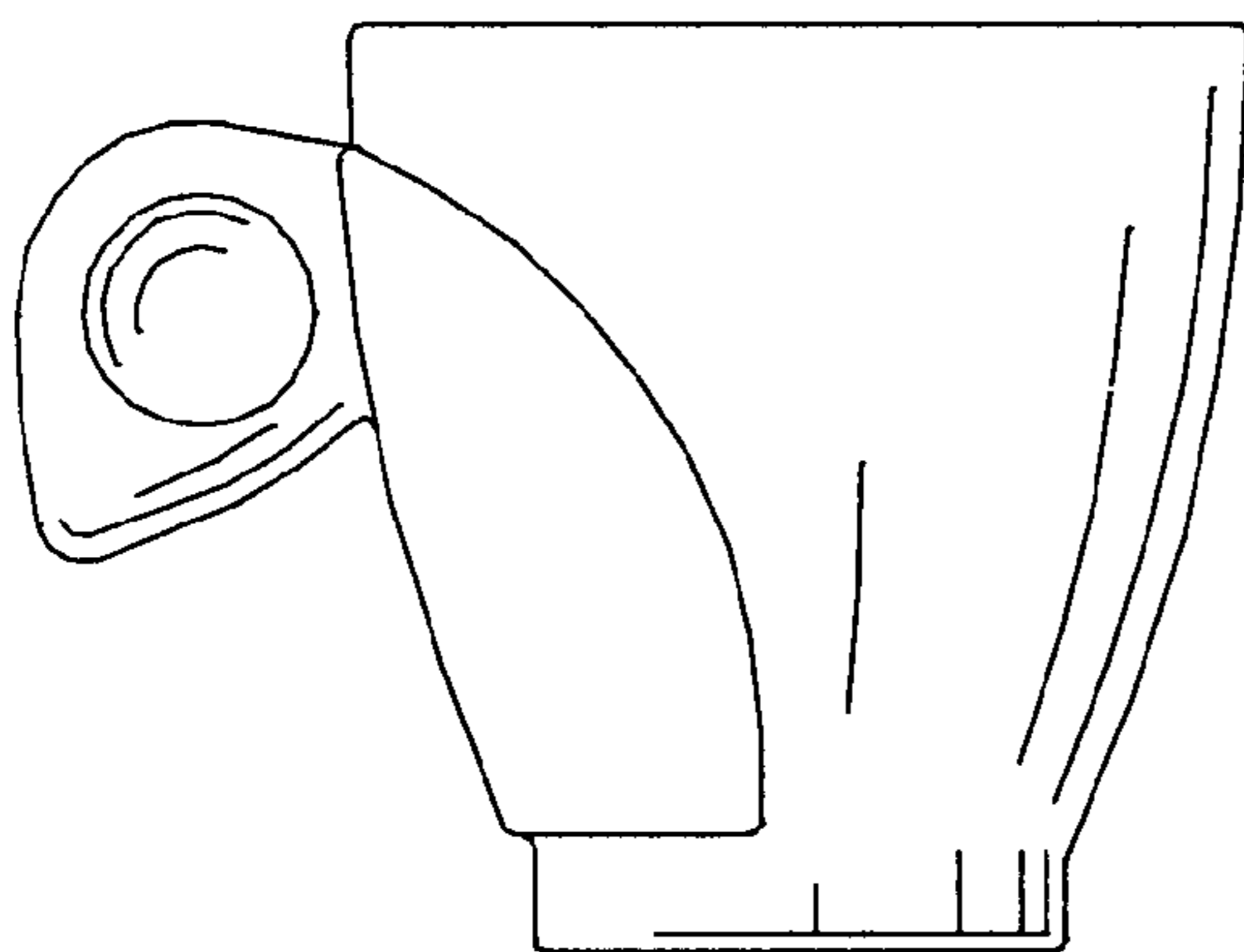


FIG. 3

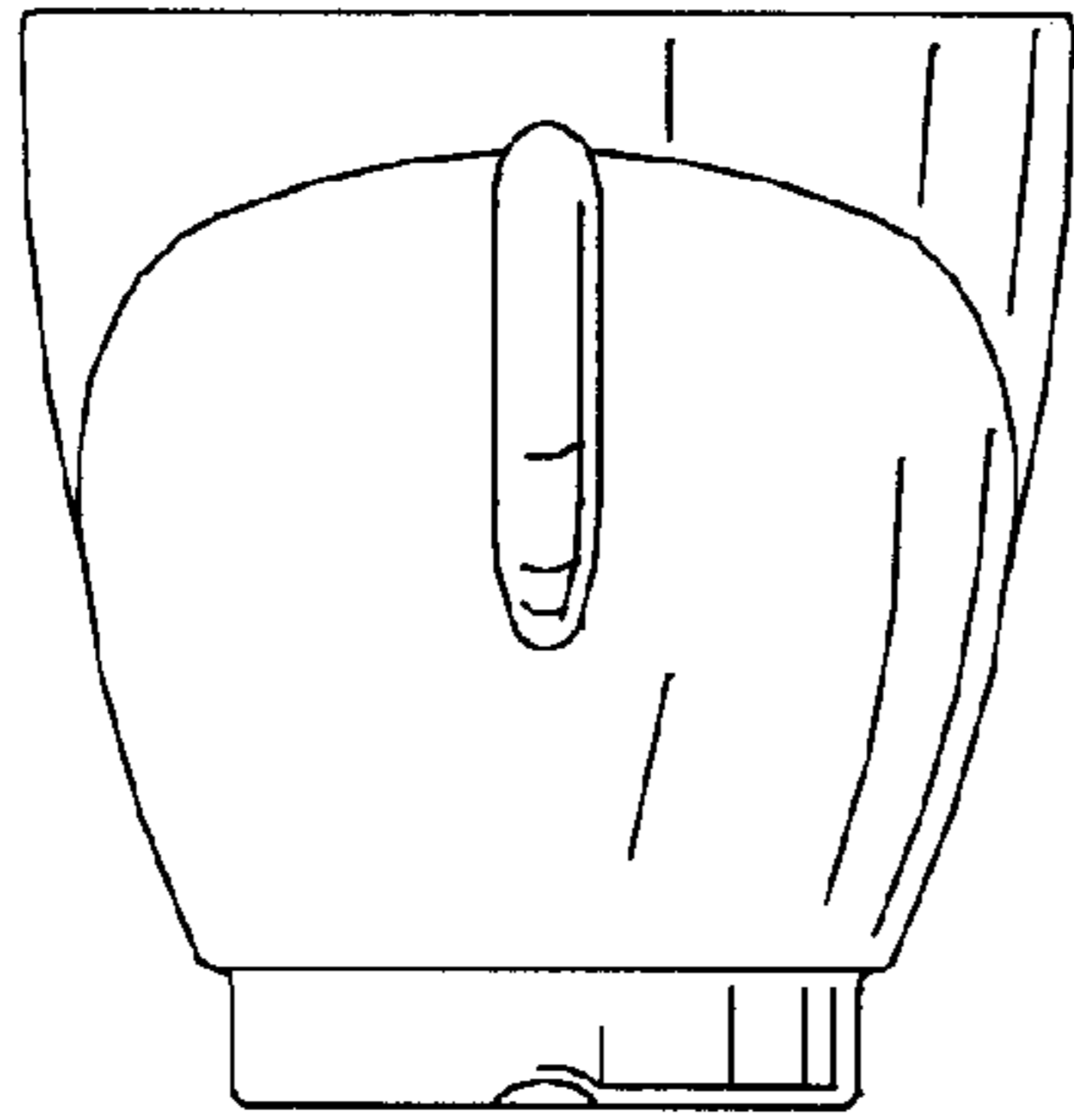


FIG. 4

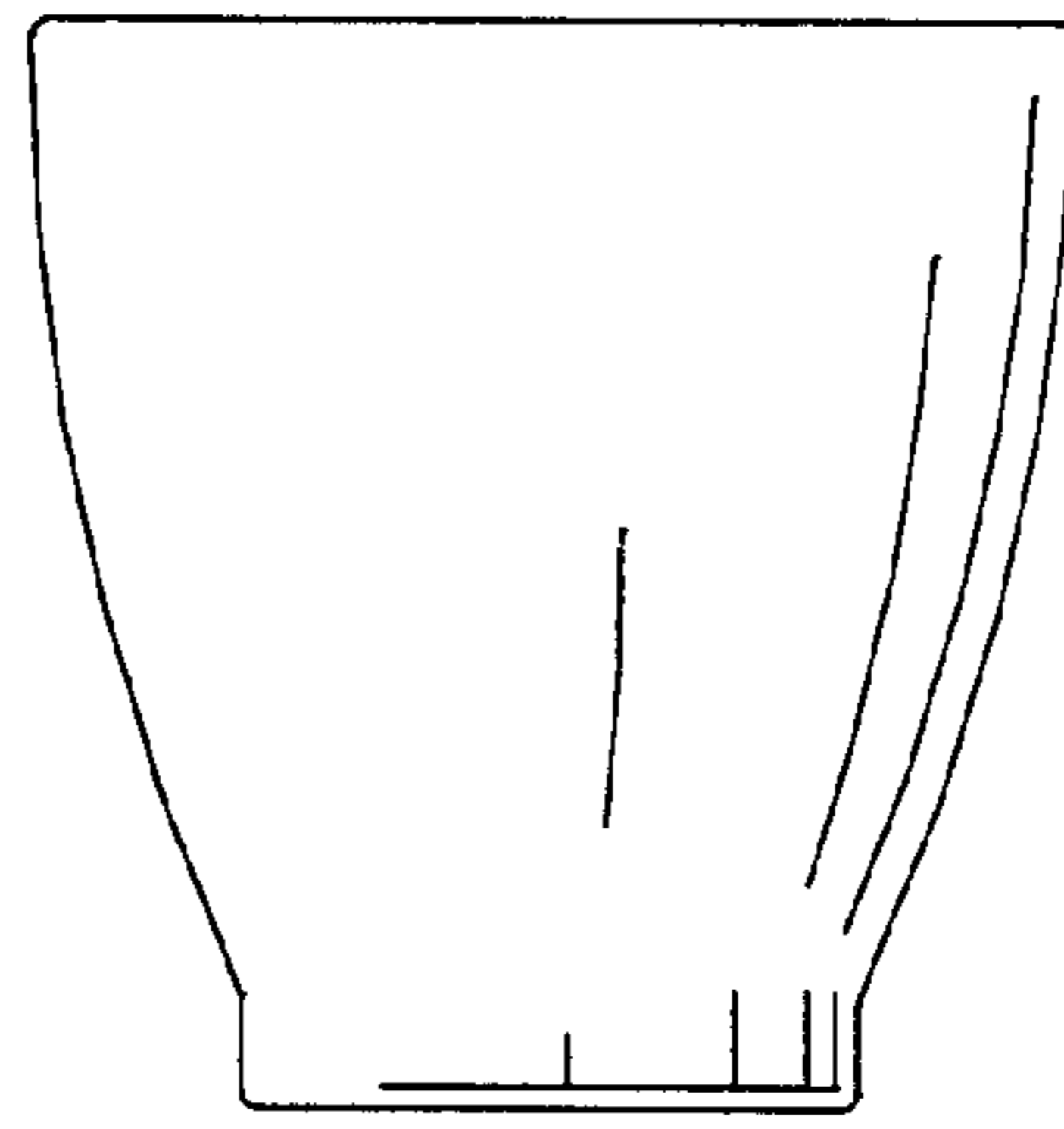


FIG. 5

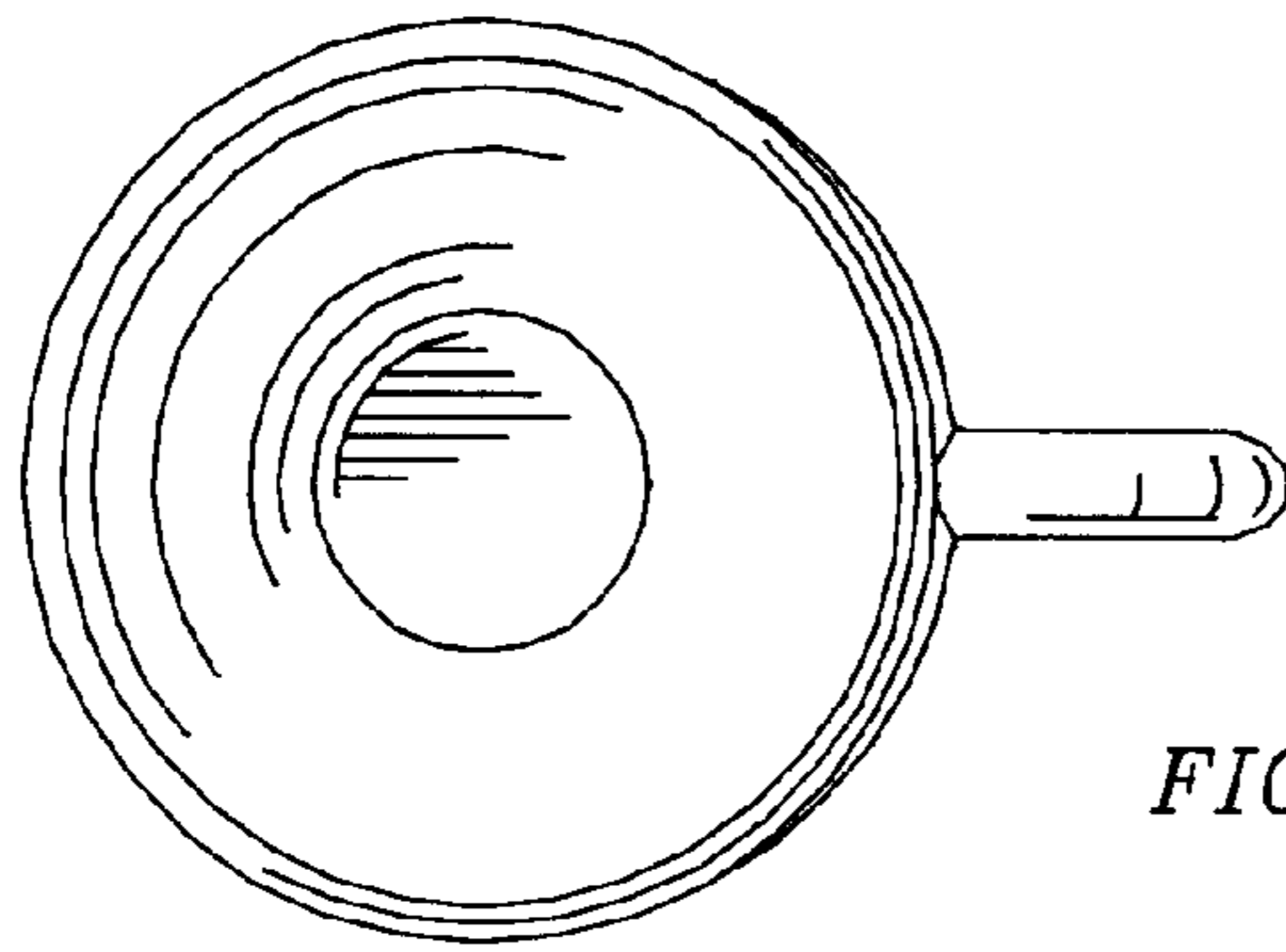


FIG. 6

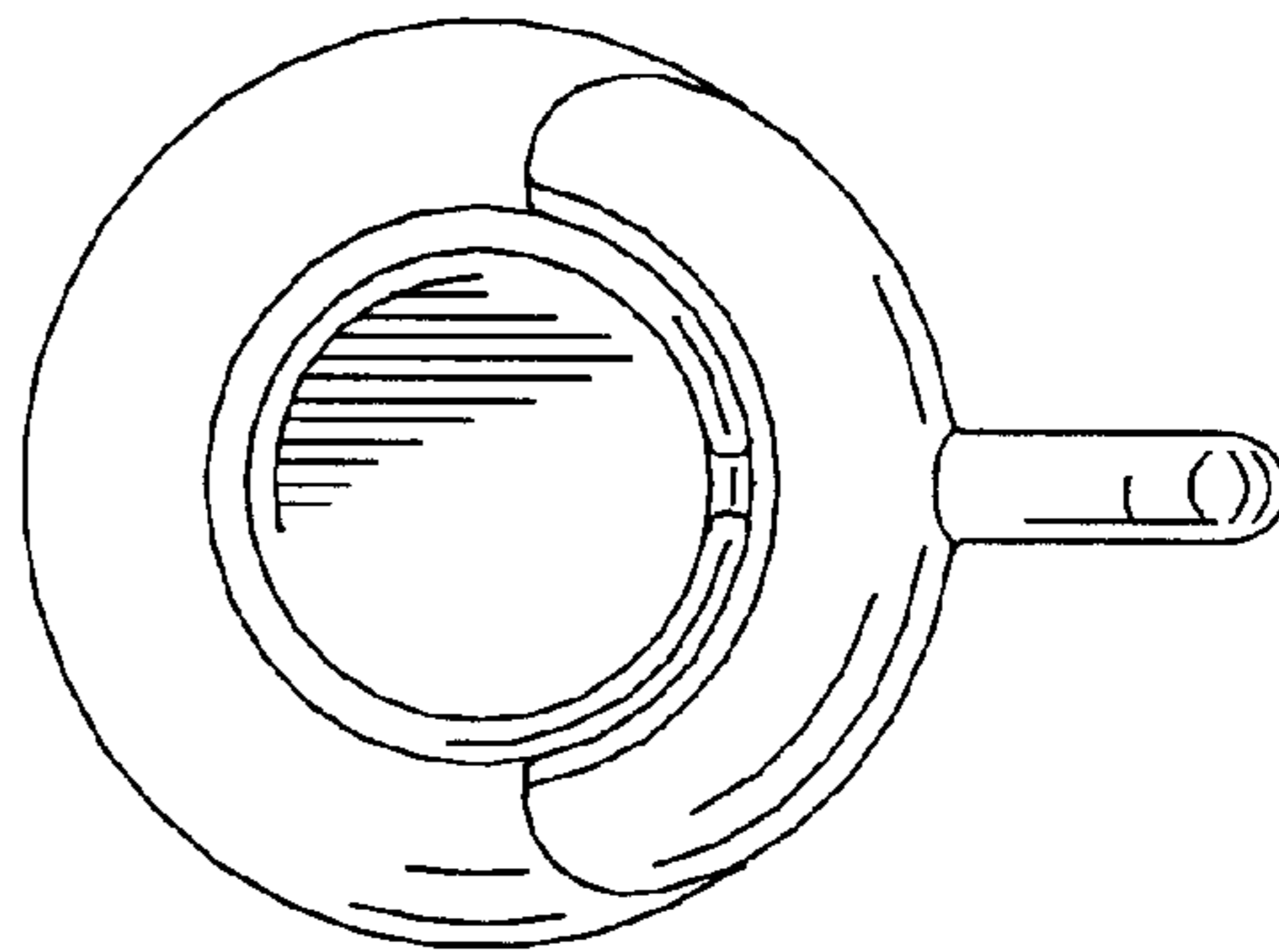


FIG. 7

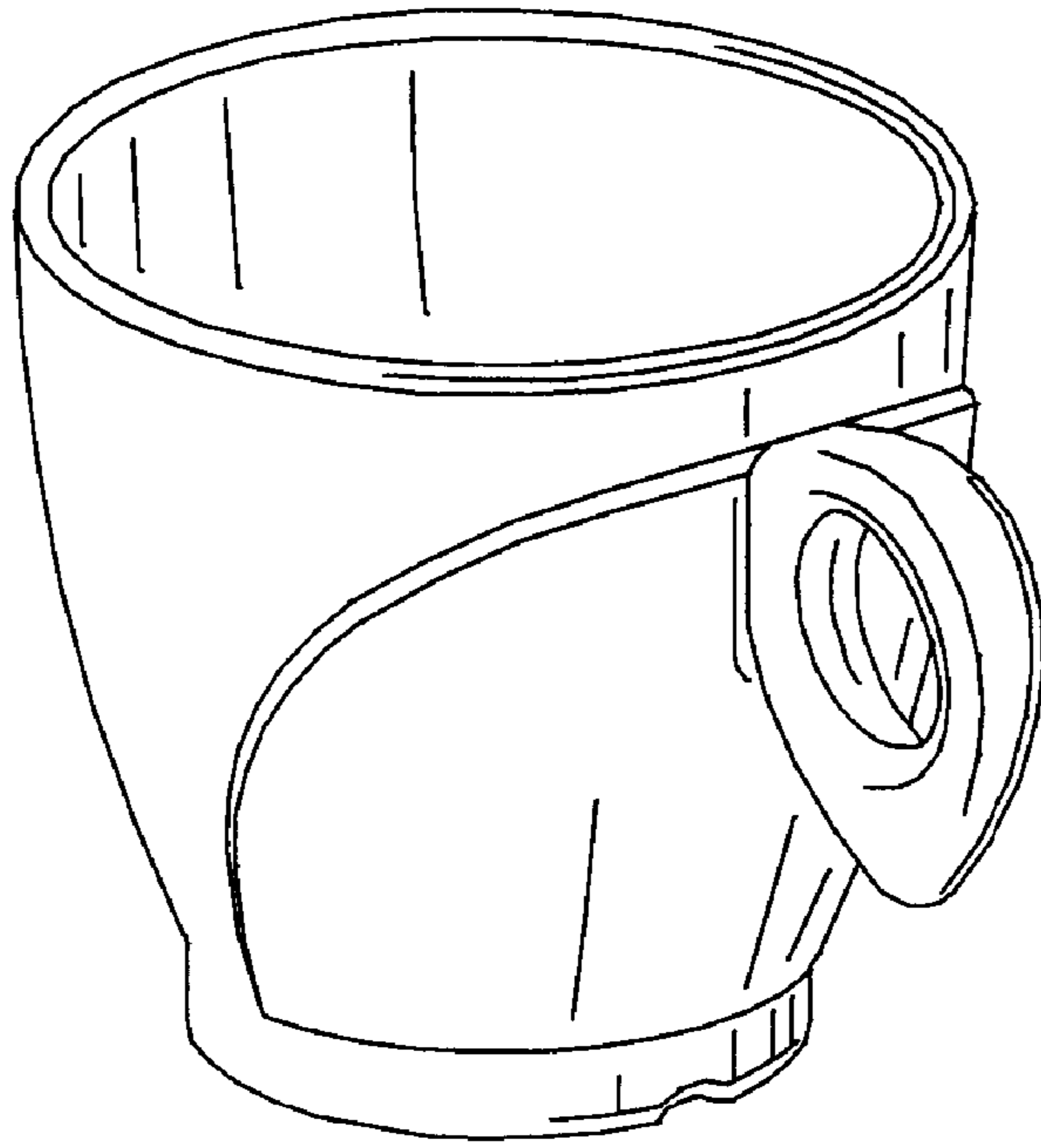


FIG. 8

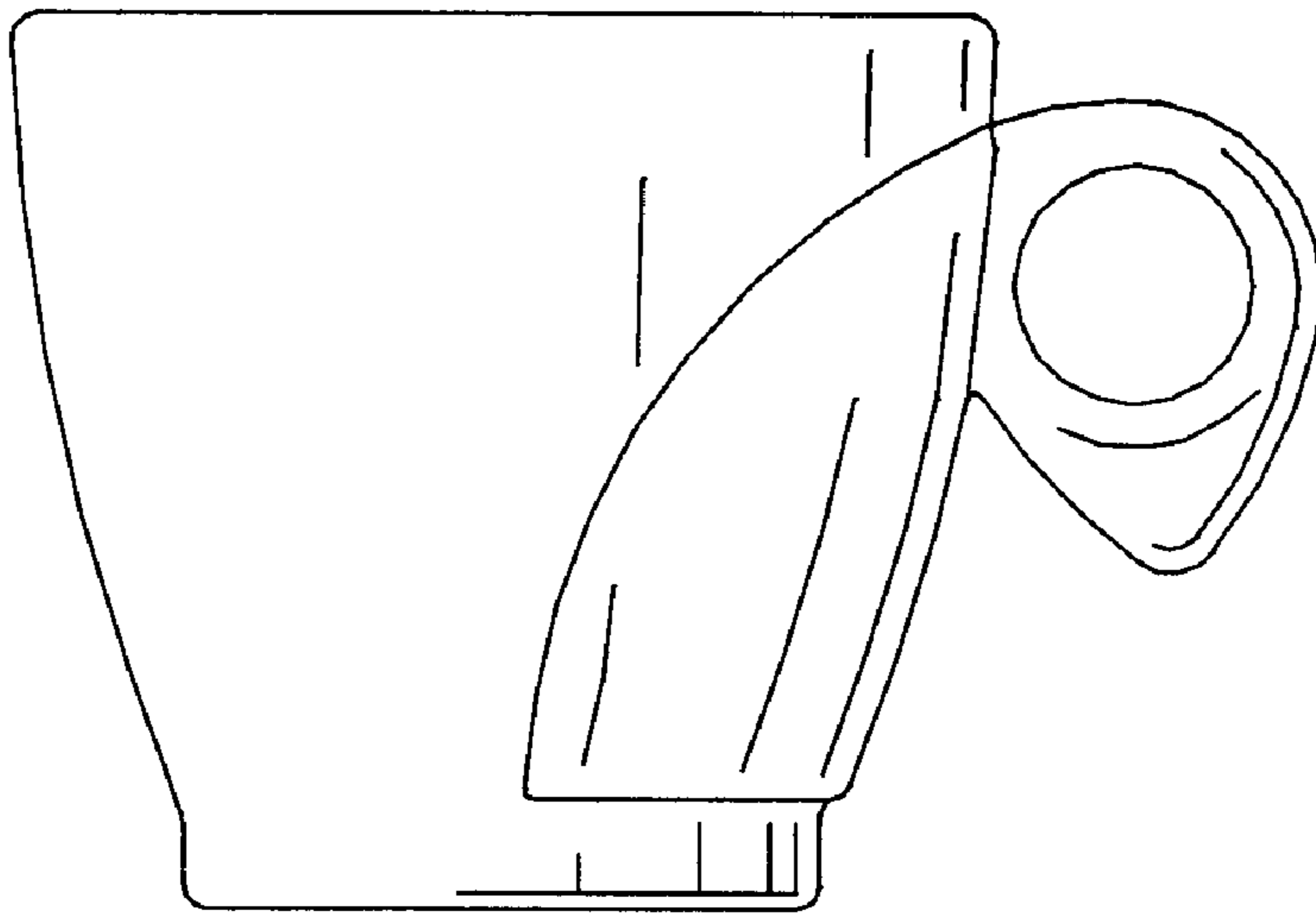


FIG. 9

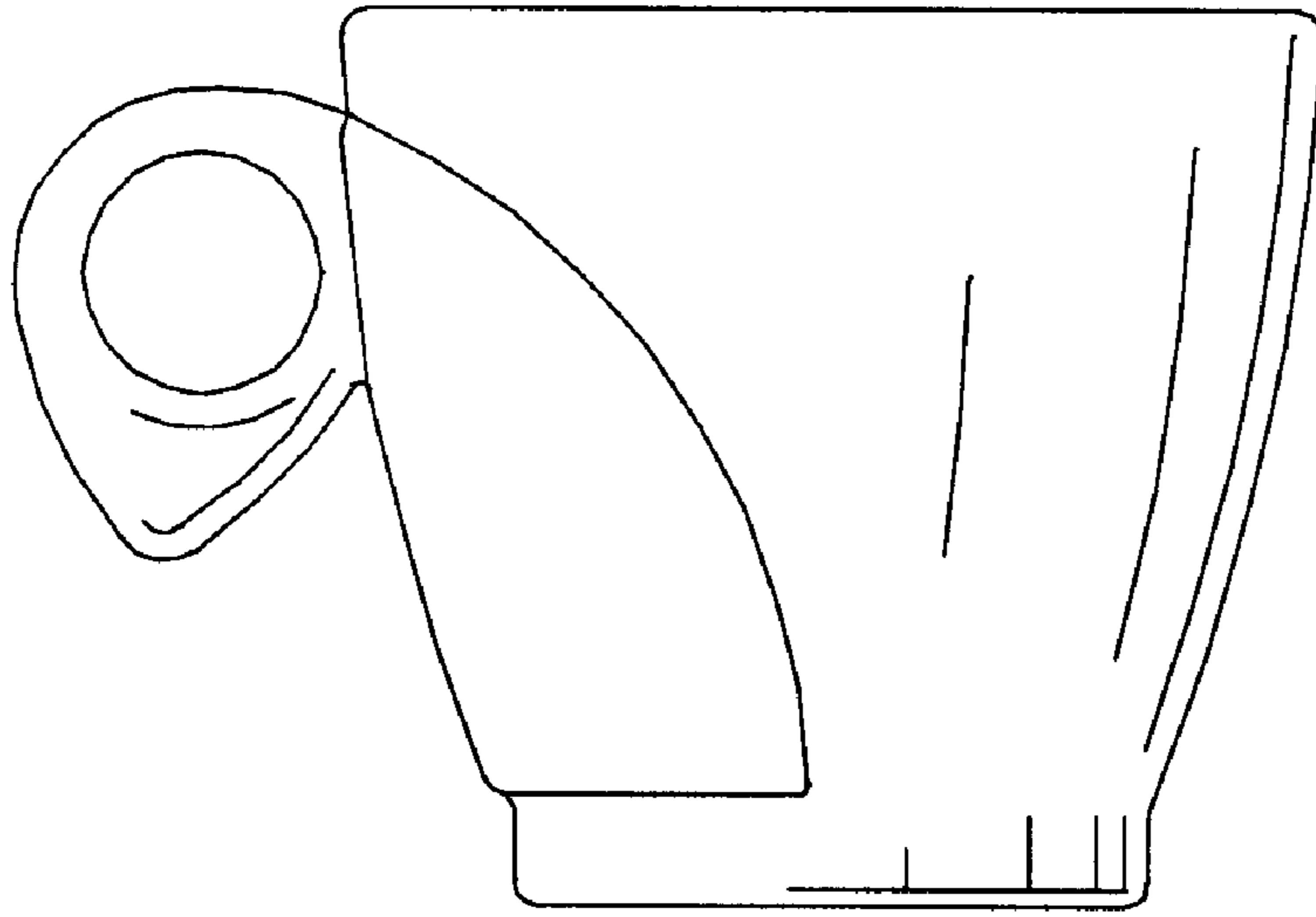


FIG. 10

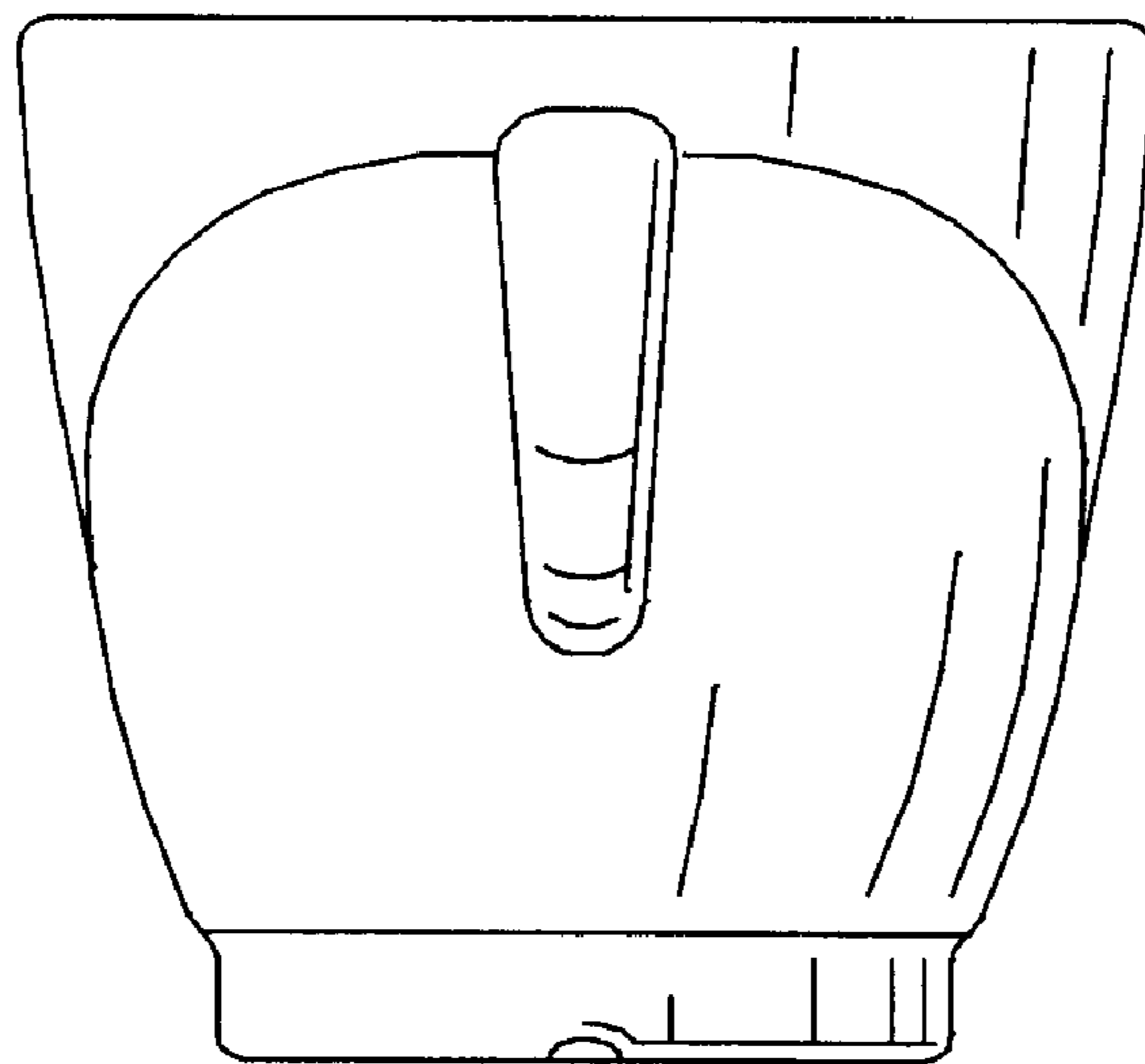


FIG. 11

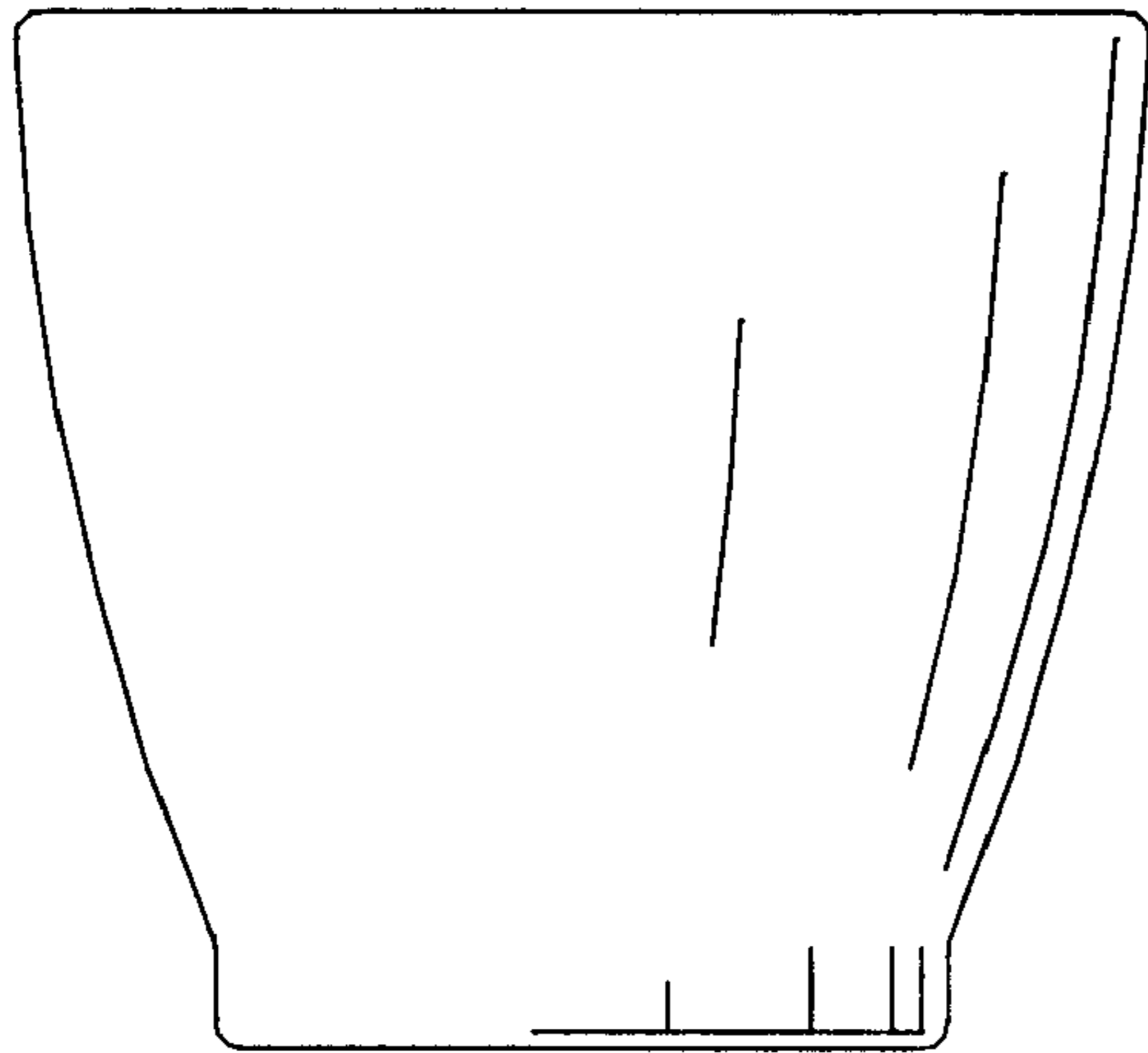


FIG. 12

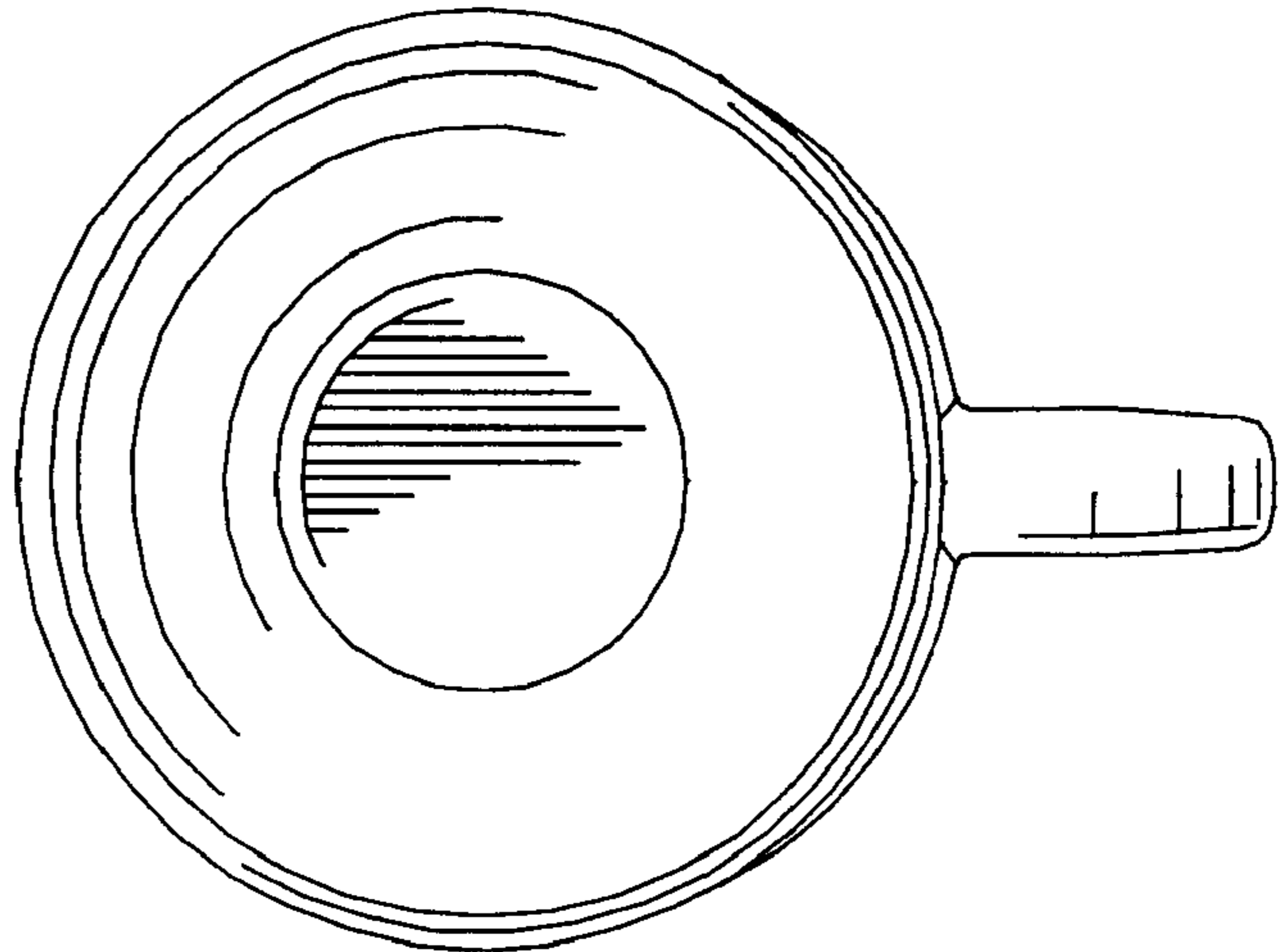


FIG. 13

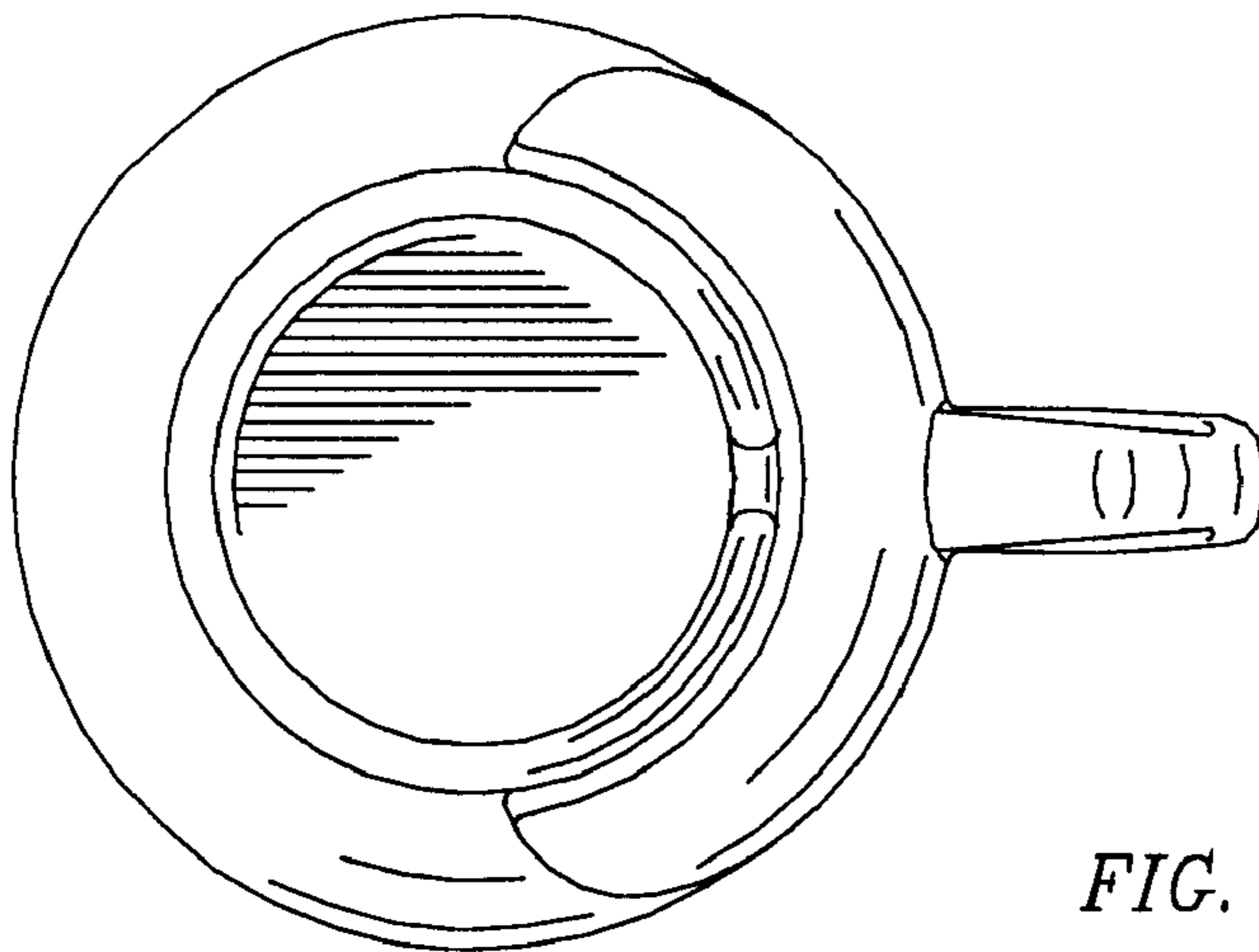


FIG. 14