



US00D470011S

(12) **United States Design Patent**
Munari

(10) **Patent No.:** **US D470,011 S**

(45) **Date of Patent:** **** Feb. 11, 2003**

(54) **HANDLE FOR A COOKING VESSEL, IN PARTICULAR FOR A POT**

D348,178 S * 6/1994 Munari D7/394
D384,551 S * 10/1997 Baumgarten D7/393
D391,444 S * 3/1998 Munari D7/394

(75) Inventor: **Marco Munari**, Cardano Al Campo (IT)

* cited by examiner

(73) Assignee: **La Termoplastico F.B.M.S.R.L.**, Arsago Seprio (IT)

Primary Examiner—Terry A. Wallace

(74) *Attorney, Agent, or Firm*—Ladas & Parry

(**) Term: **14 Years**

(57) **CLAIM**

(21) Appl. No.: **29/154,637**

The ornamental design of a handle for a cooking vessel, in particular for a pot, as shown and described.

(22) Filed: **Jan. 24, 2002**

DESCRIPTION

(30) **Foreign Application Priority Data**

Jul. 27, 2001 (XH) DM/056 799

(51) **LOC (7) Cl.** **07-02**

(52) **U.S. Cl.** **D7/394**

(58) **Field of Search** D7/393, 394, 401.2, D7/354-361; 16/110.1, 430, 431, 436, 441, 444, DIG. 12, DIG. 18, DIG. 19; 220/573.1, 752, 753, 759, 770, 771, 912

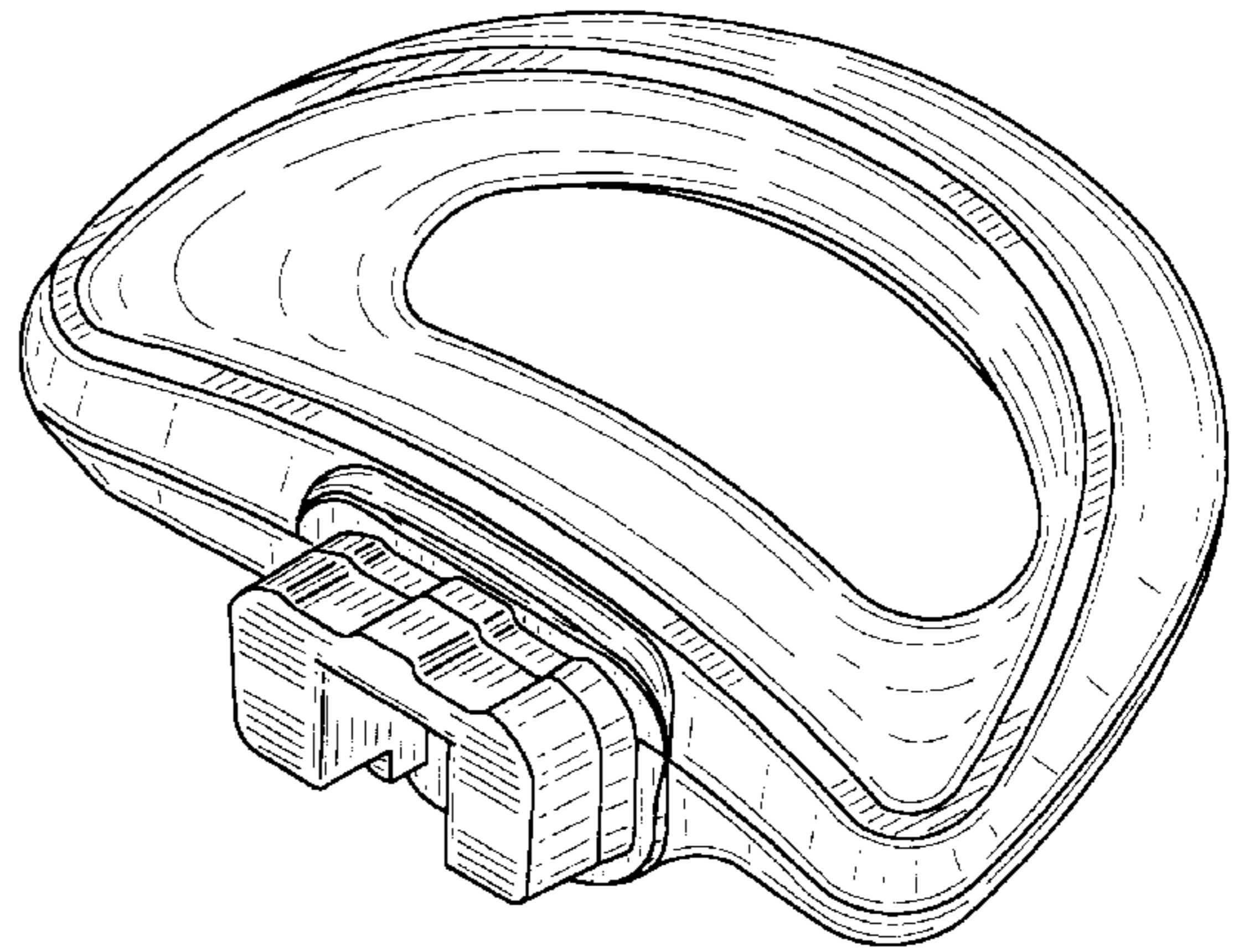
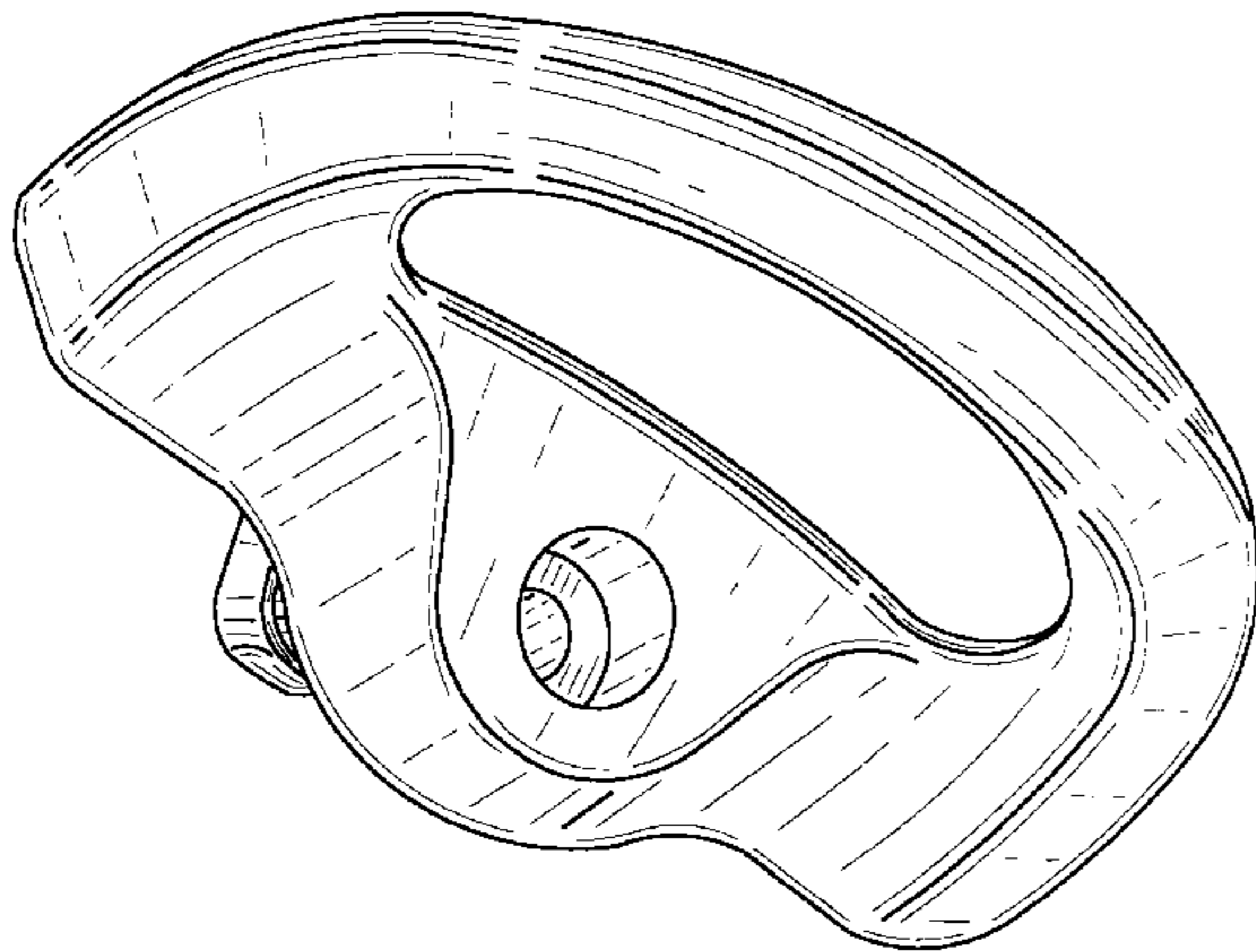
FIG. 1 is a top/side perspective view of my new design relating to a handle for a cooking vessel, in particular for a pot;
FIG. 2 is a bottom/side perspective view of my new design;
FIG. 3 is a top plan view of my new design;
FIG. 4 is a bottom plan view of my new design;
FIG. 5 is a left side elevation view of my new design, the opposite side being the mirror image thereof;
FIG. 6 is a front elevation view of my new design;
FIG. 7 is a rear elevation view of my new design; and,
FIG. 8 is a perspective view thereof, the broken lines of the portion of the pot are for illustrative purposes only and form no part of the claimed design.

(56) **References Cited**

U.S. PATENT DOCUMENTS

D344,430 S * 2/1994 Raoult D7/394

1 Claim, 3 Drawing Sheets



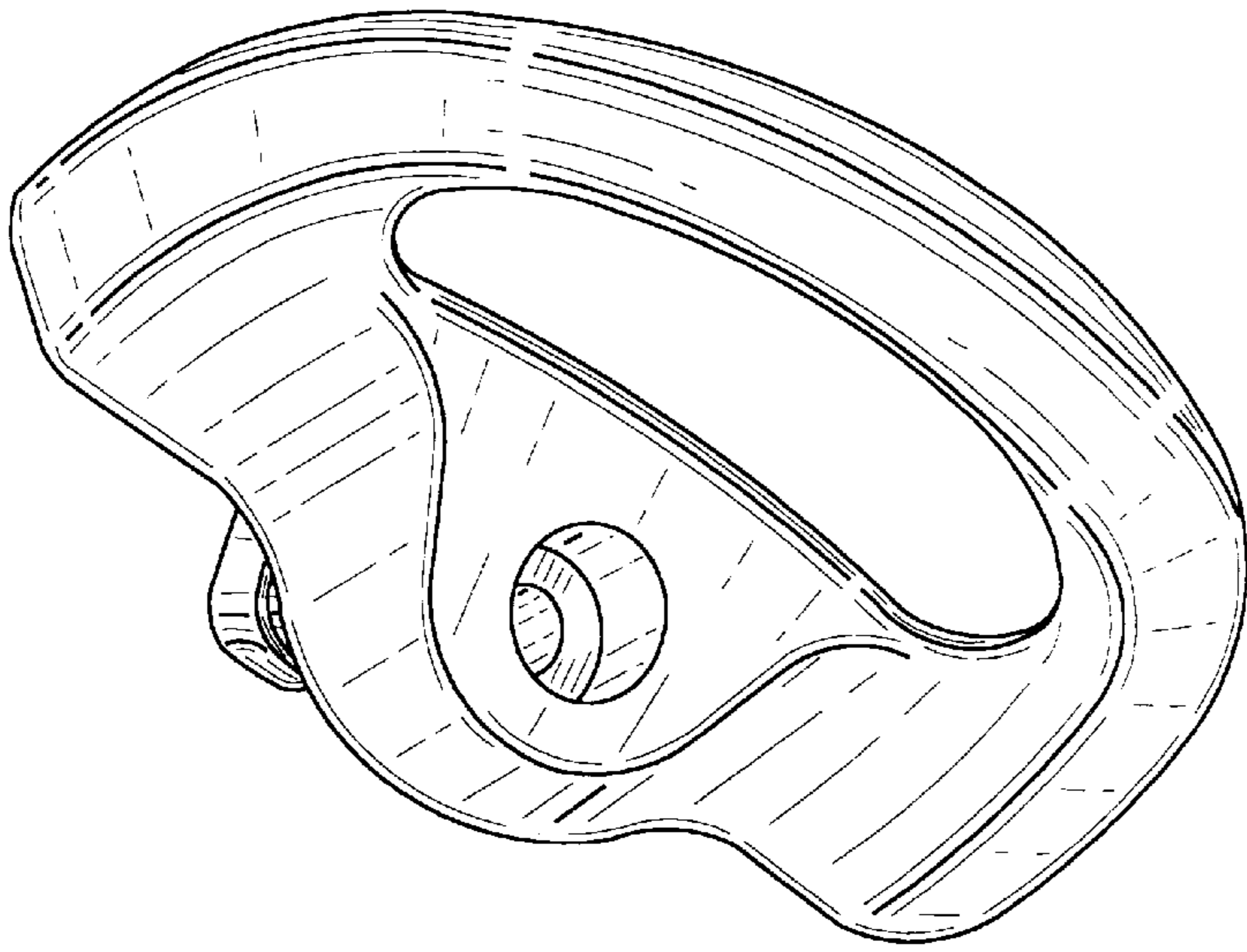


FIG. 1

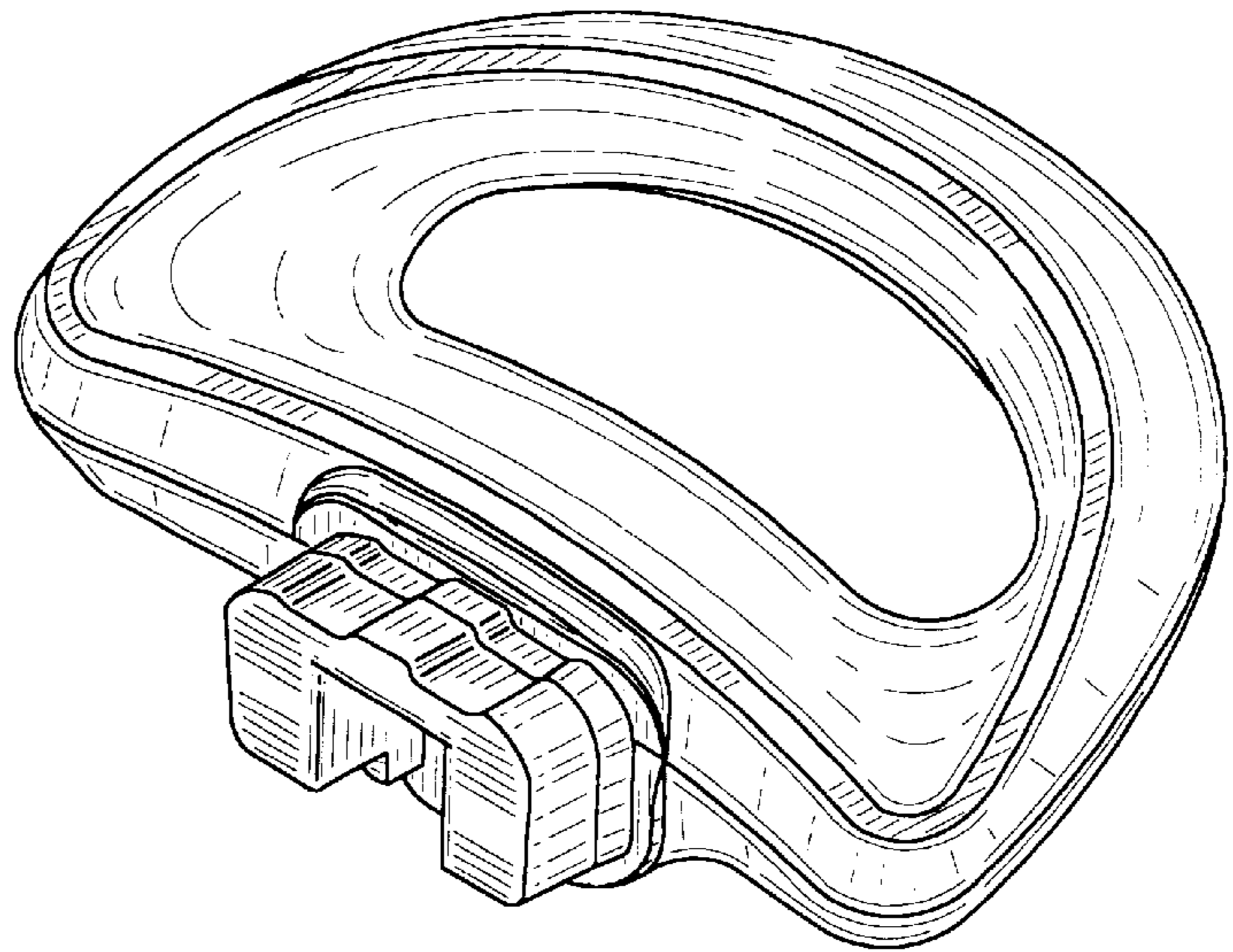


FIG. 2

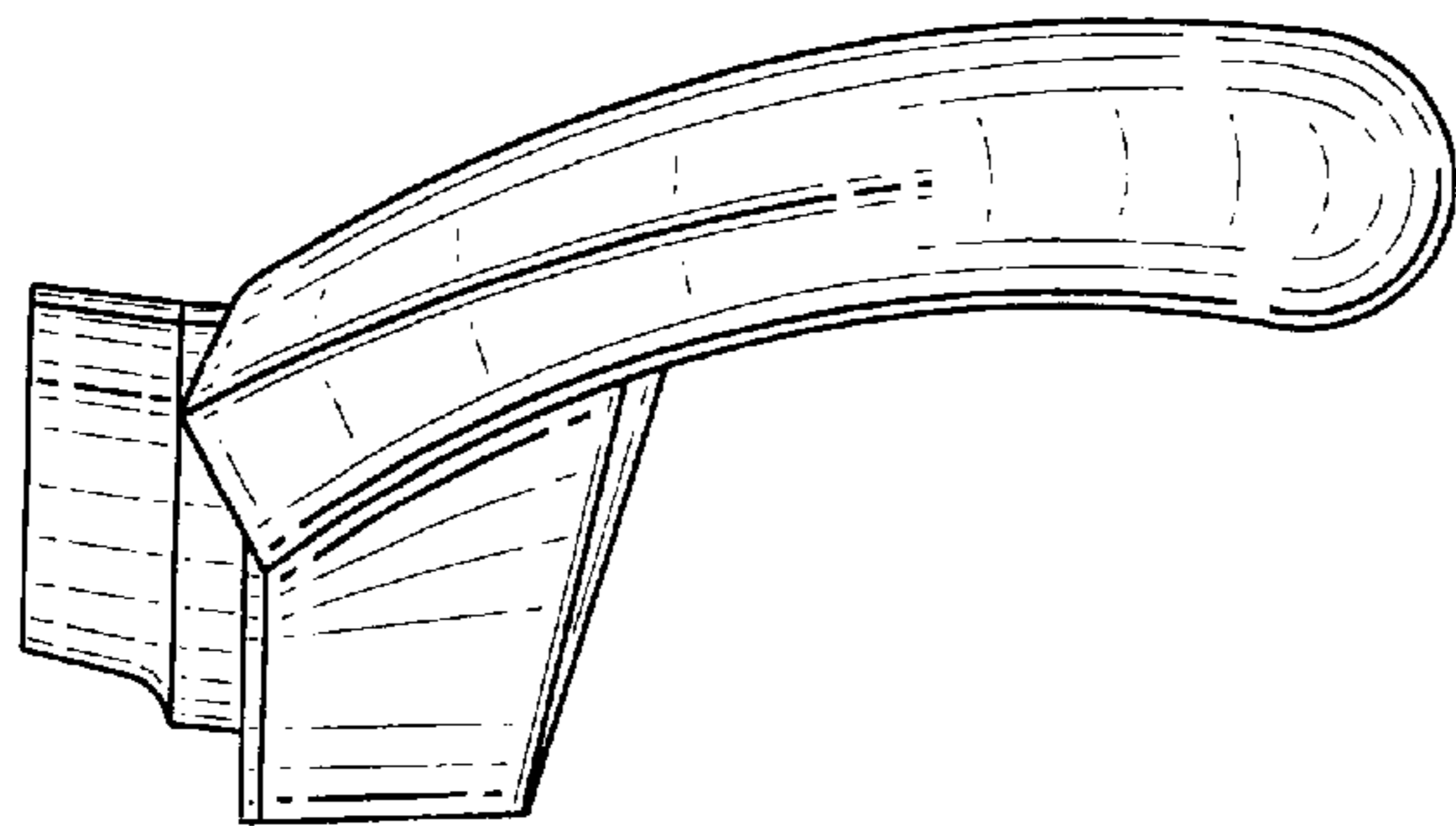


FIG. 5

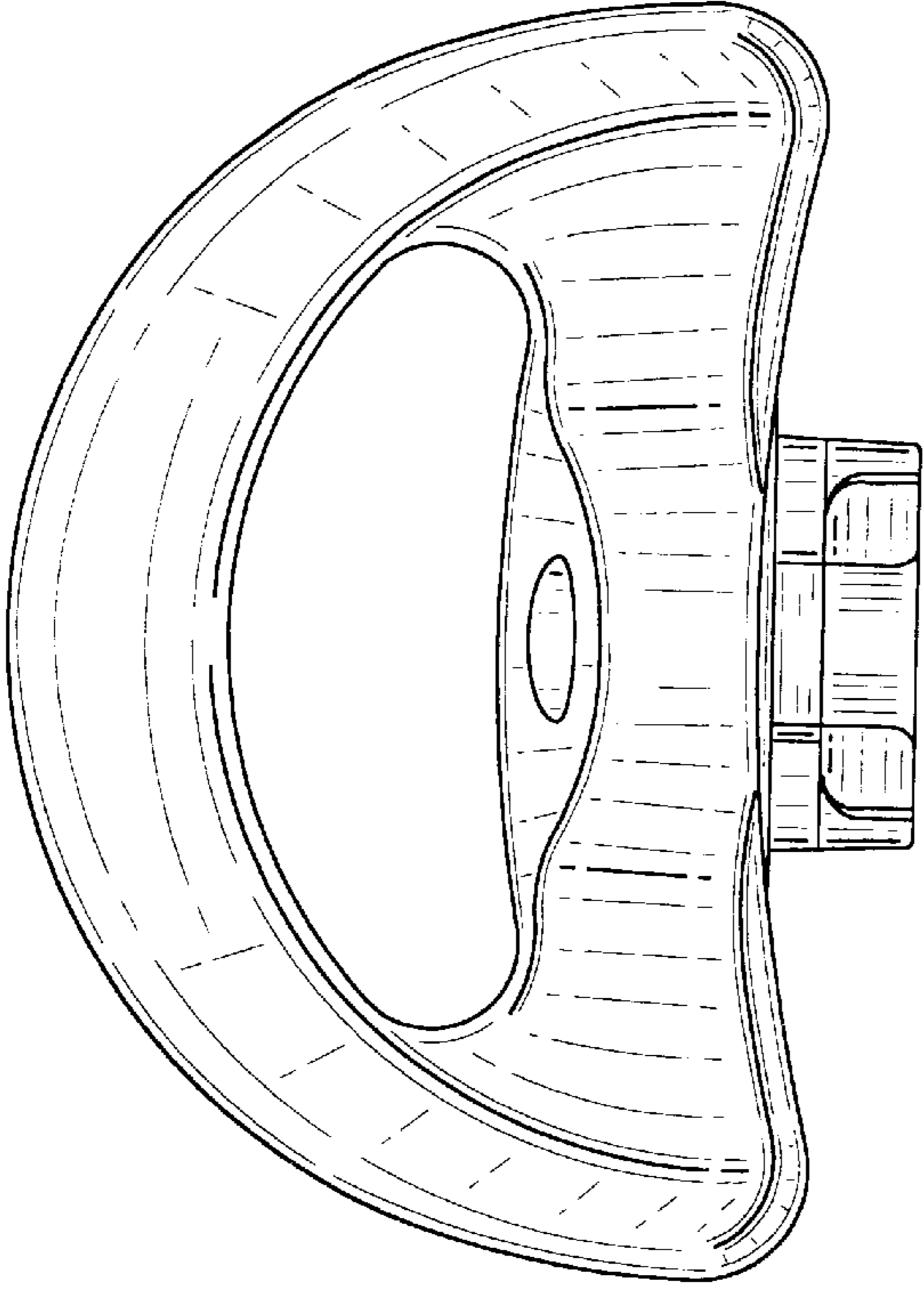


FIG. 4

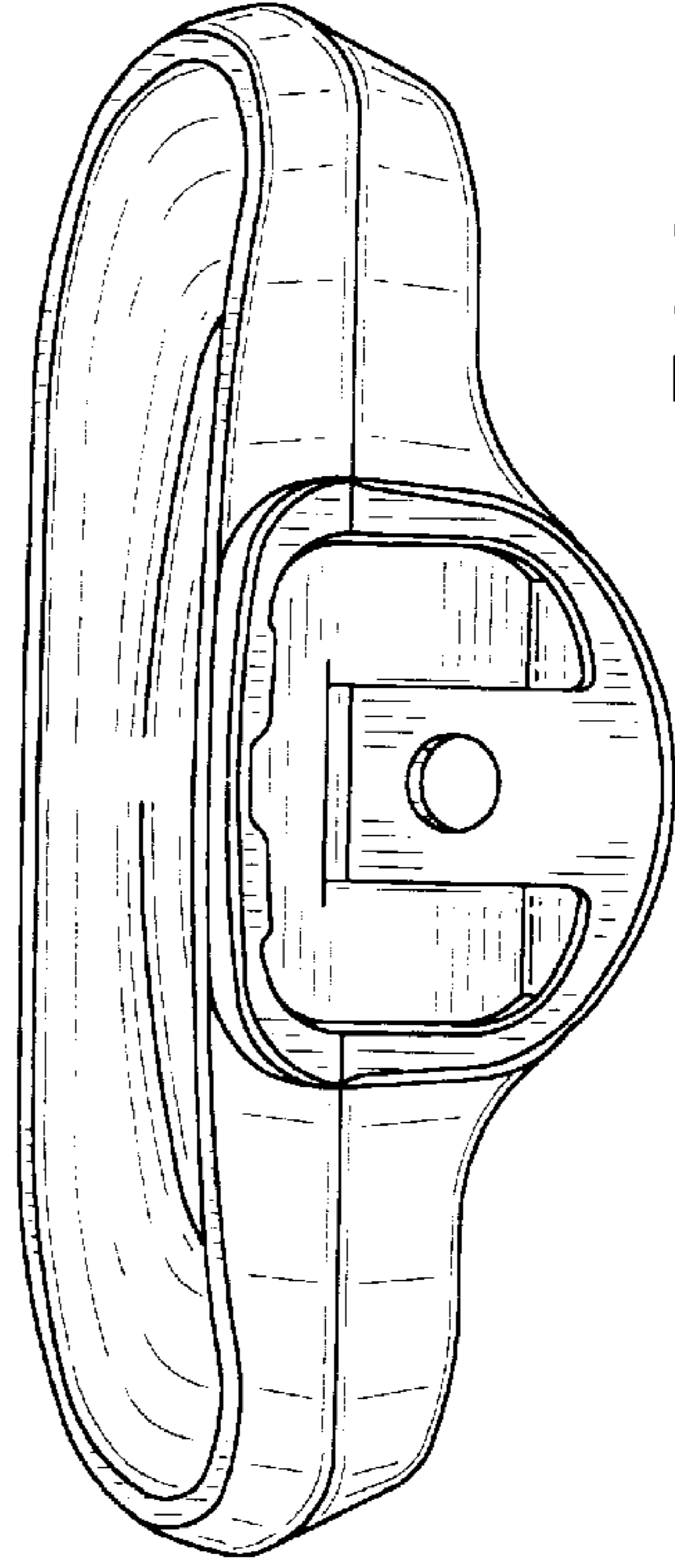


FIG. 7

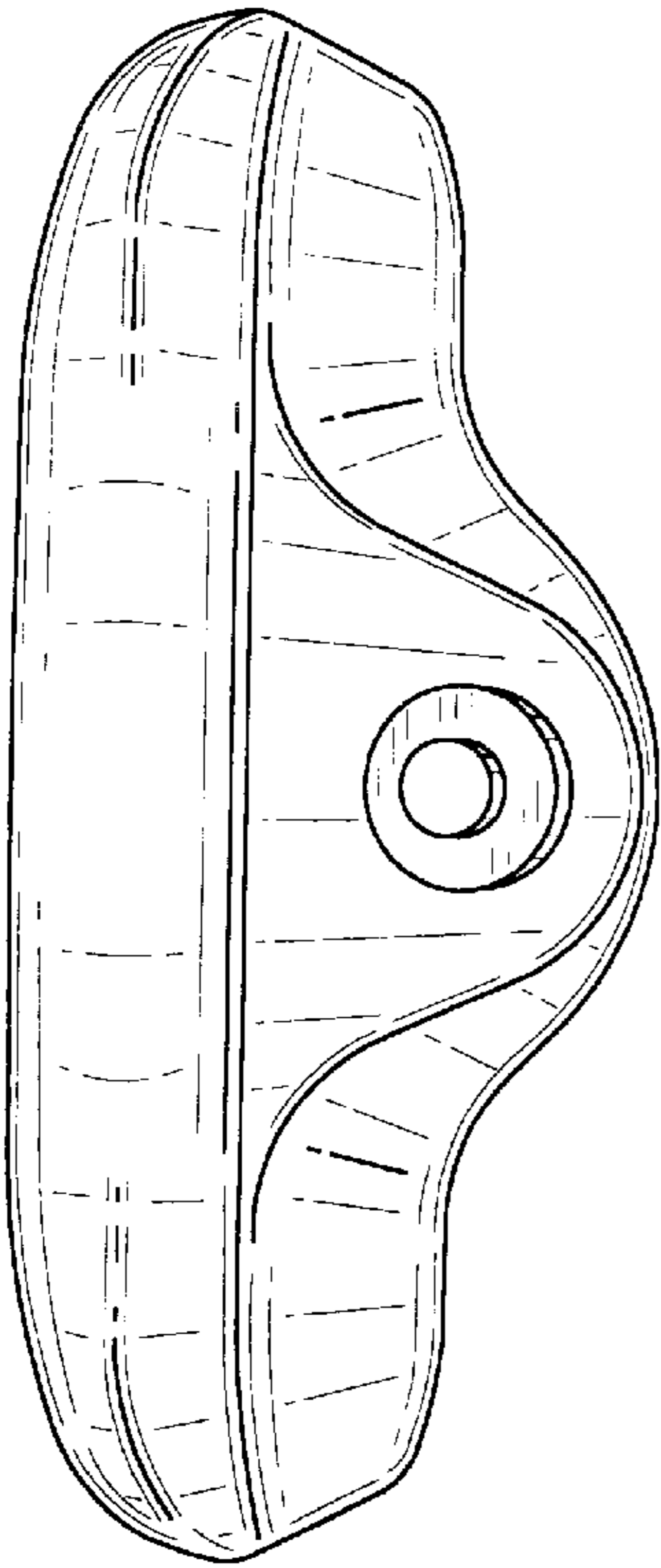


FIG. 6

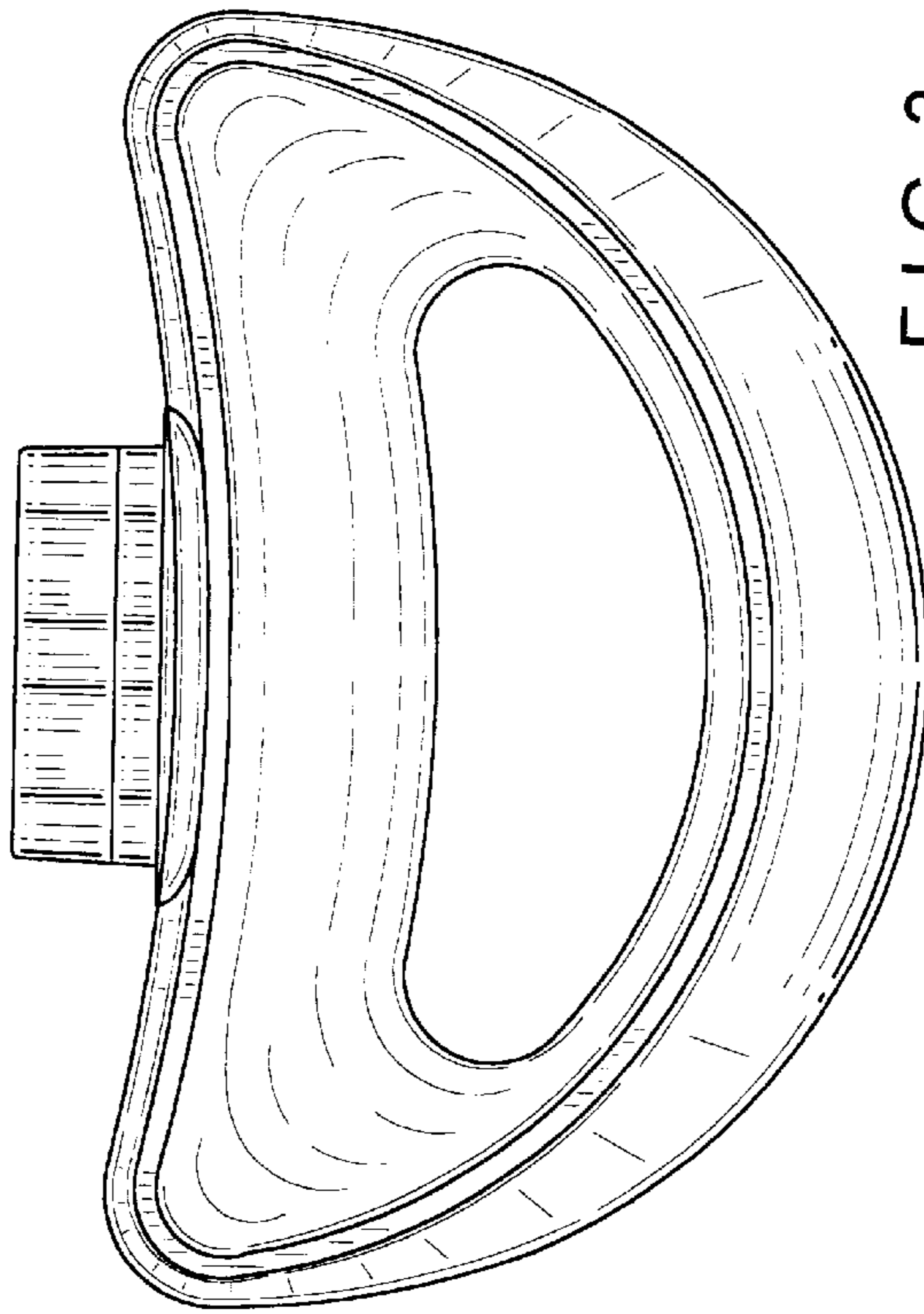


FIG. 3

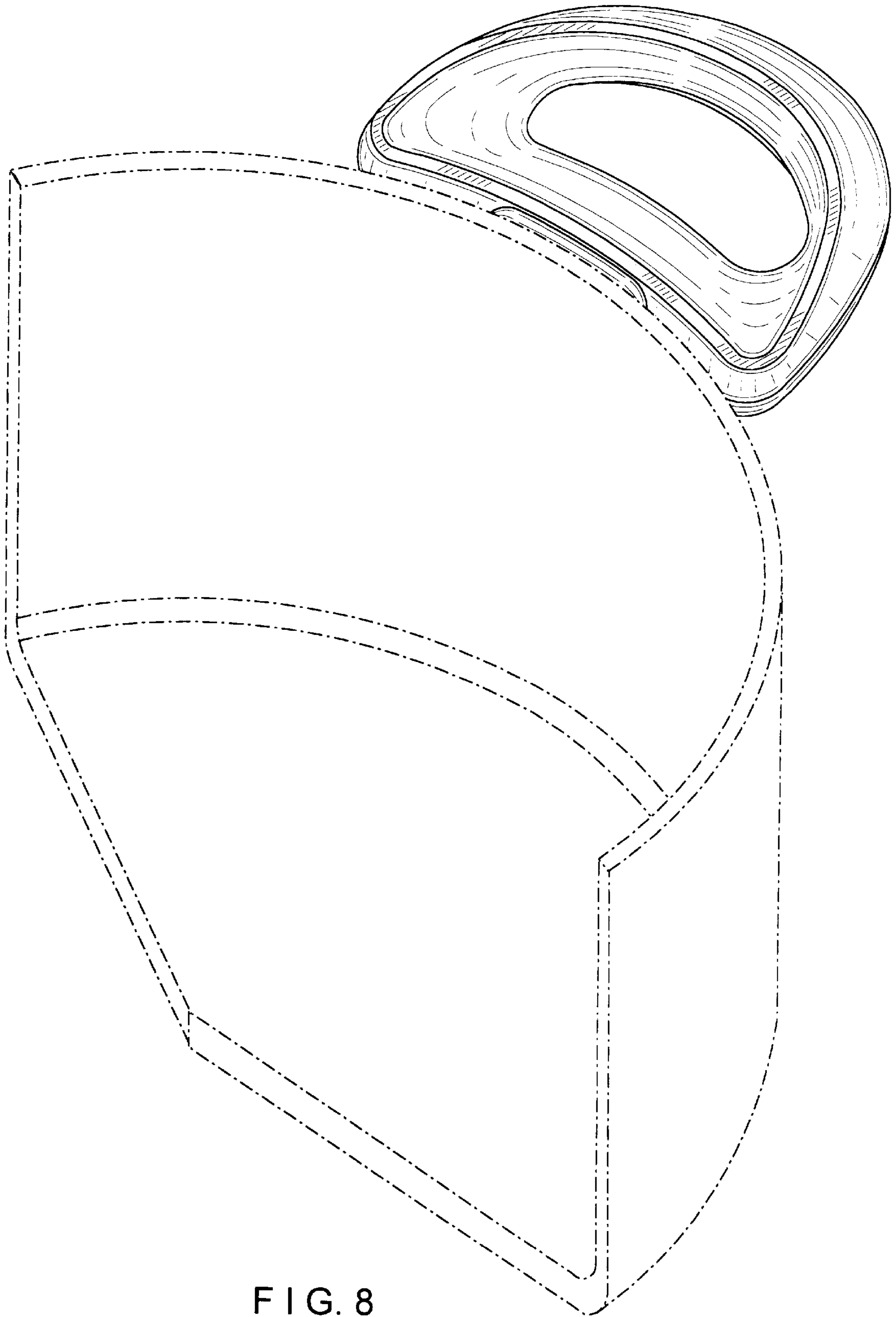


FIG. 8