



US00D470008S

(12) **United States Design Patent**
Trombly

(10) **Patent No.:** **US D470,008 S**

(45) **Date of Patent:** **** Feb. 11, 2003**

(54) **BEVERAGE CONTAINER LID**

(75) Inventor: **Edgar F. Trombly**, Grosse Pointe Farms, MI (US)

(73) Assignee: **Punch Products USA, Inc.**, Rahway, NJ (US)

(**) Term: **14 Years**

(21) Appl. No.: **29/154,879**

(22) Filed: **Jan. 30, 2002**

(51) **LOC (7) Cl.** **07-01**

(52) **U.S. Cl.** **D7/392.1**

(58) **Field of Search** D7/300, 317, 321,
D7/387, 397, 392.1; 220/200, 260, 231,
780

(56) **References Cited**

U.S. PATENT DOCUMENTS

2,913,140	A	*	11/1959	Vuilleminot	220/212.5
D199,041	S	*	9/1964	Kitterman	D7/317
D220,773	S	*	5/1971	Dilyard	D7/317
D229,012	S	*	11/1973	Wooters	D7/317
D360,556	S	*	7/1995	DeCoster	D7/317
D383,351	S	*	9/1997	DeMore	D7/317
D407,597	S	*	4/1999	Diehl	D7/317
D461,676	S	*	8/2002	Daenen et al.	D7/317

OTHER PUBLICATIONS

Photocopies of mug lid distributed by Punch Products USA, Inc. of Rahway, New Jersey (8 photos provided).*

Photocopies of mug lid distributed by Punch Products USA, Inc. of Rahway, New Jersey (8 photos provided).*

Photocopies of mug lid distributed by Betras Plastics, Inc. of Spartanburg, South Carolina (8 photos provided).*

Photocopies of mug lid distributed by Williams Industries Inc. of Shelbyville, Indiana (8 photos provided).*

* cited by examiner

Primary Examiner—Dominic Simone

(74) *Attorney, Agent, or Firm*—Pennie & Edmonds LLP

(57) **CLAIM**

The ornamental design for a beverage container lid, as shown and described.

DESCRIPTION

FIG. 1 is a perspective view of a beverage container lid in an open position according to the present invention, with portions shown in broken lines, and therefore, not constituting part of the claimed design;

FIG. 2 is a front view thereof, with a pull tab shown in broken lines, and therefore, not constituting part of the claimed design;

FIG. 3 is a rear view thereof;

FIG. 4 is a right side view thereof, with the pull tab shown in broken lines, and therefore, not constituting part of the claimed design;

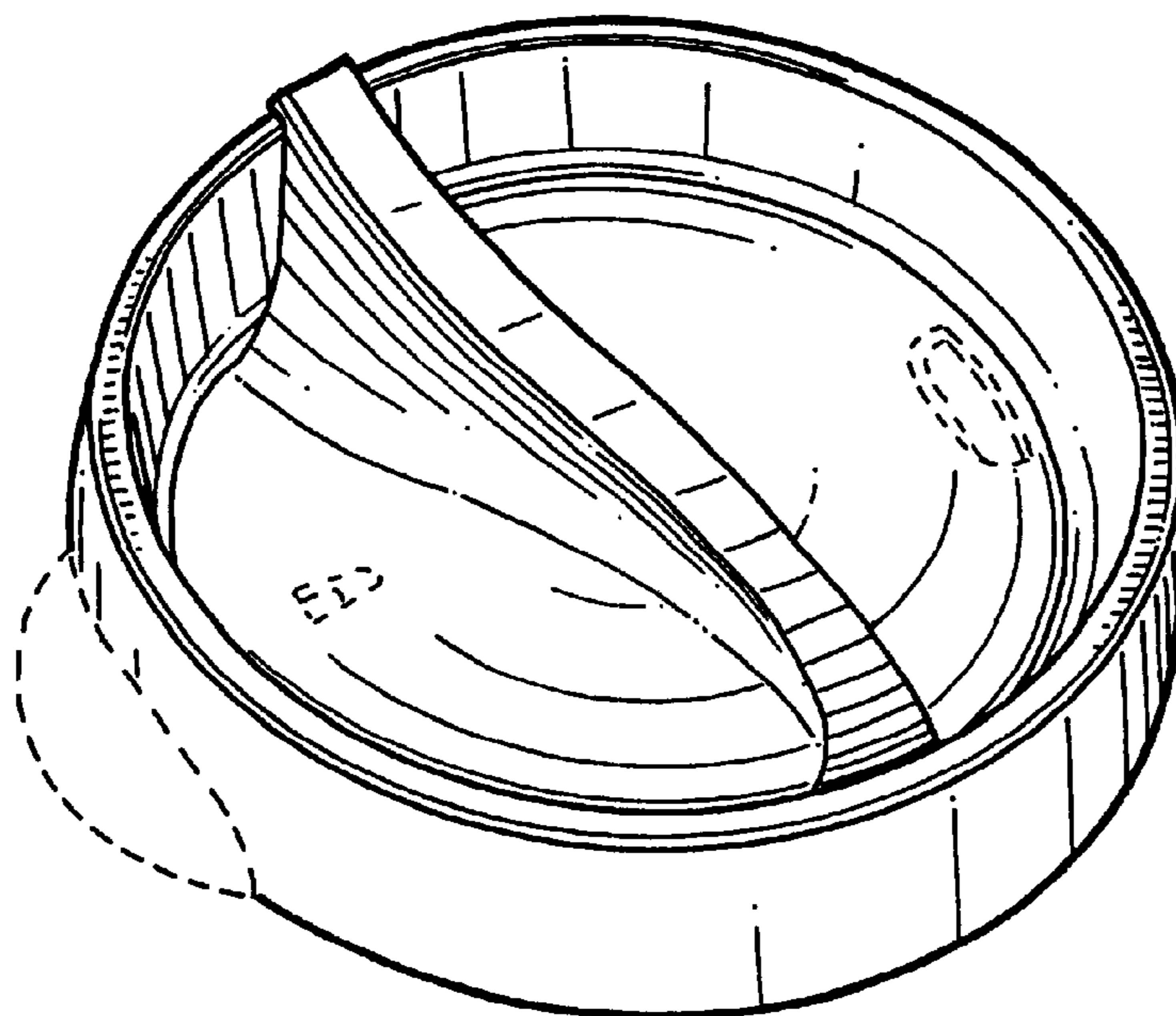
FIG. 5 is a left side view thereof, with the pull tab shown in broken lines, and therefore, not constituting part of the claimed design;

FIG. 6 is a top view thereof, with portions shown in broken lines, and therefore, not constituting part of the claimed design; and,

FIG. 7 is a top view of an alternative embodiment of a beverage container lid in a closed position according to the present invention, with portions shown in broken lines, and therefore, not constituting part of the claimed design.

All broken lines in the above figures are for illustrative purposes only and form no part of the claimed design.

1 Claim, 7 Drawing Sheets



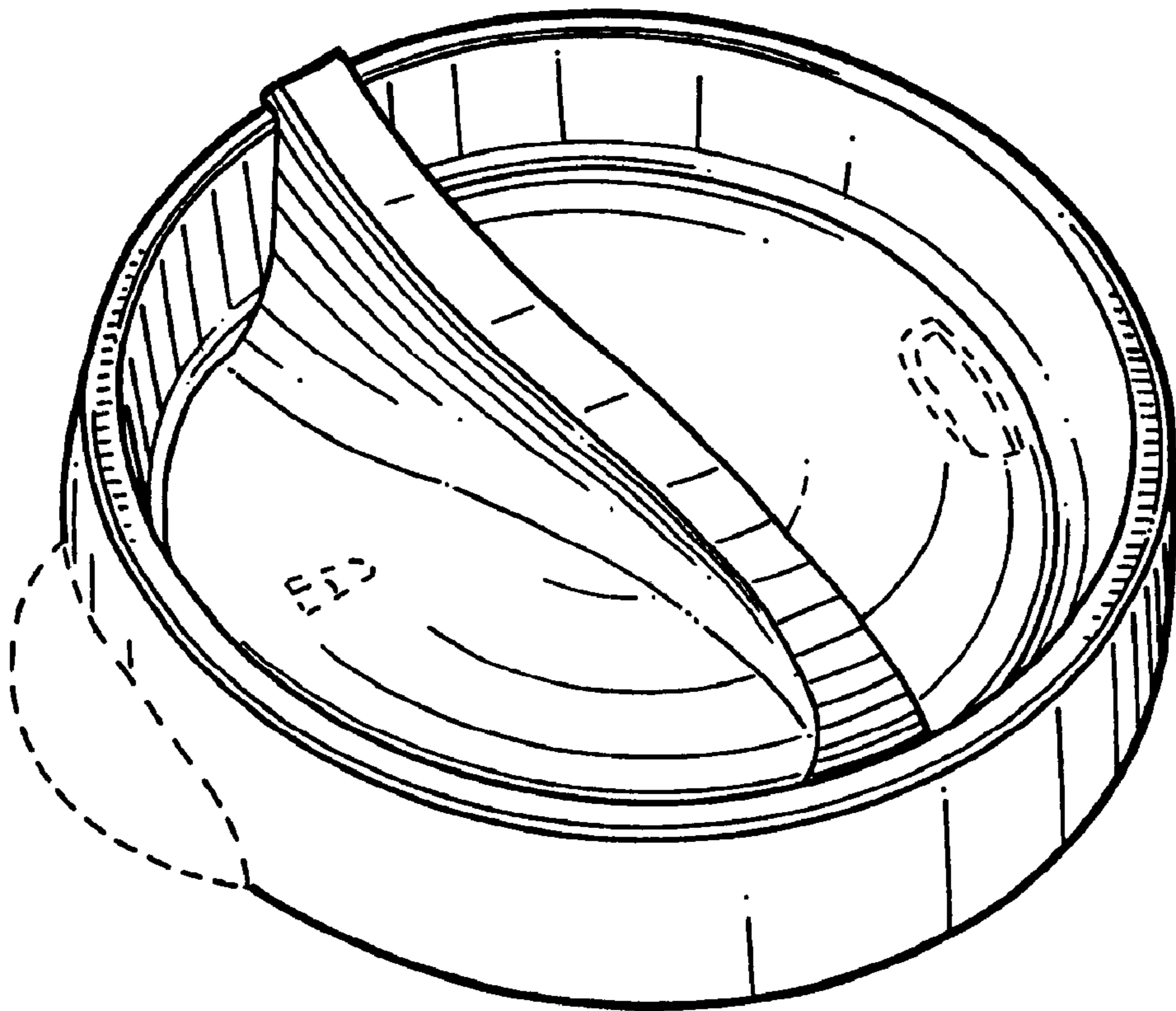


FIG. 1

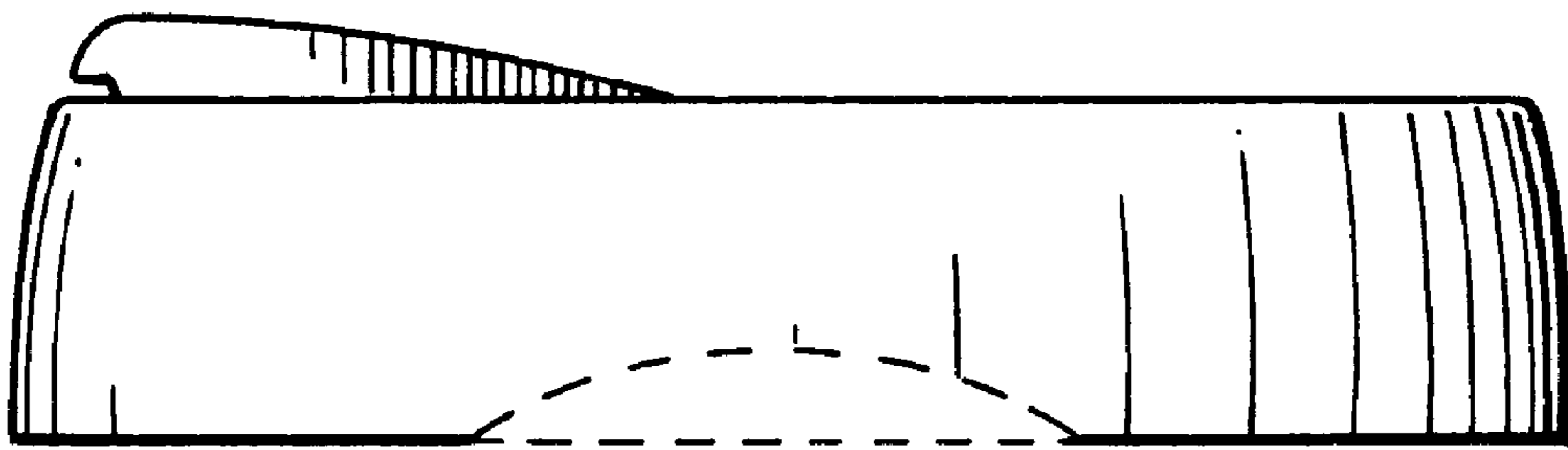


FIG. 2



FIG. 3

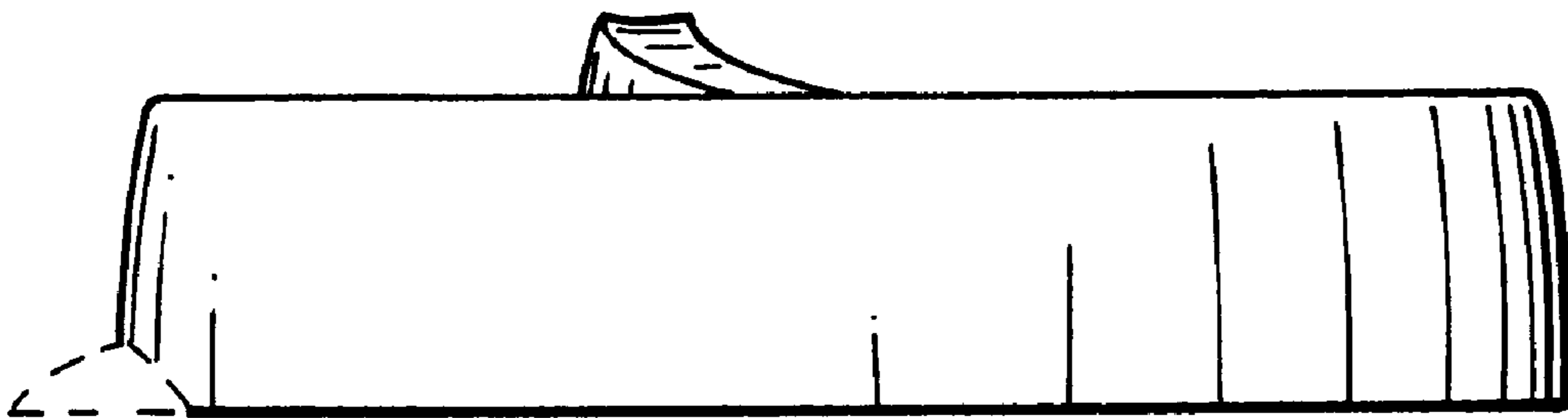


FIG. 4

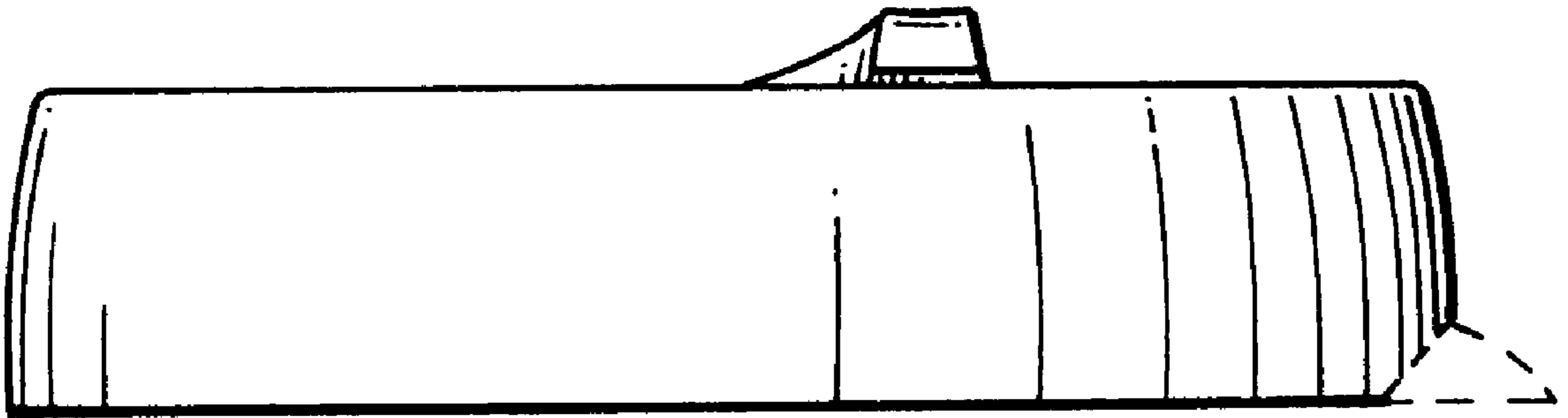


FIG. 5

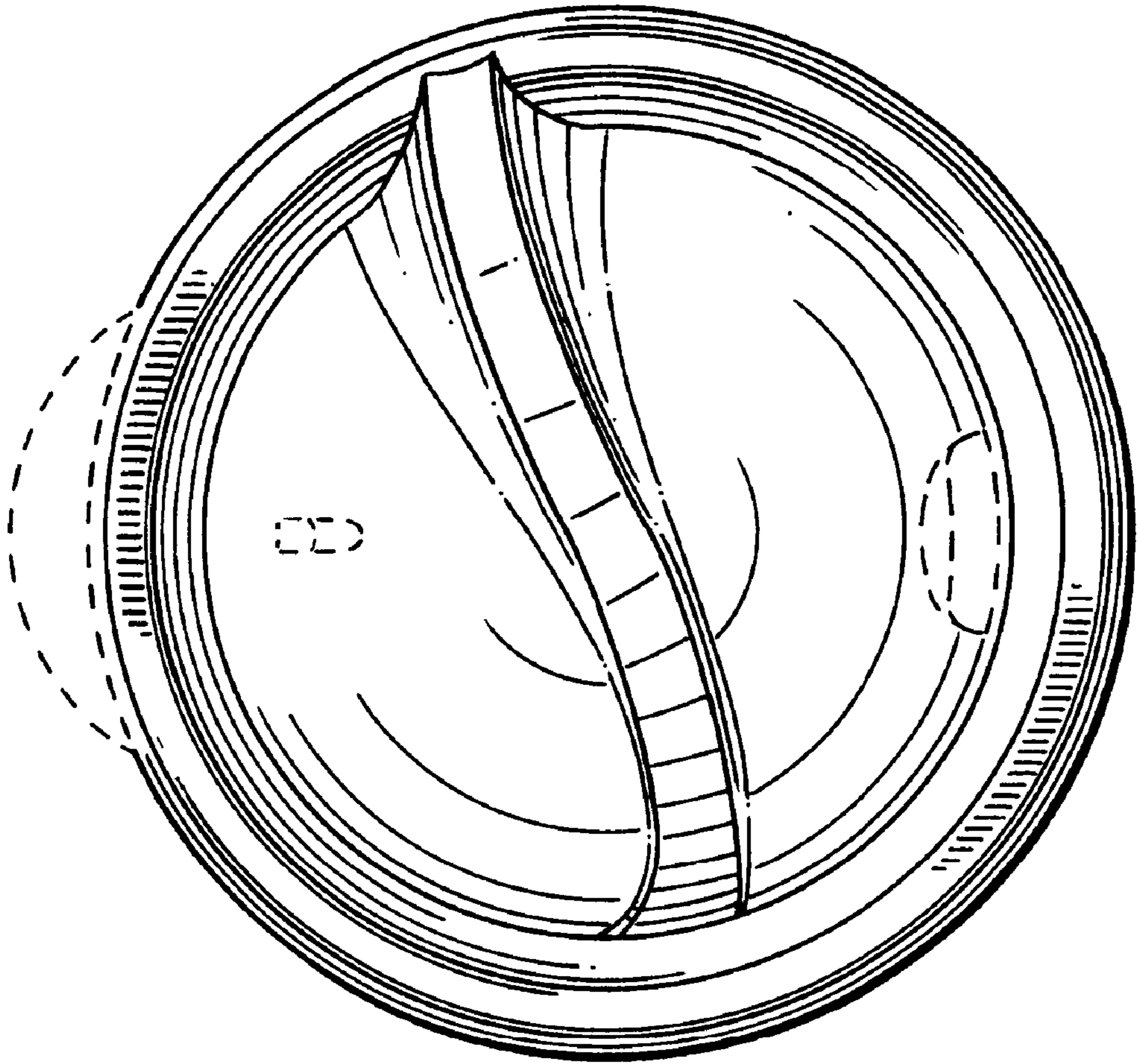


FIG. 6

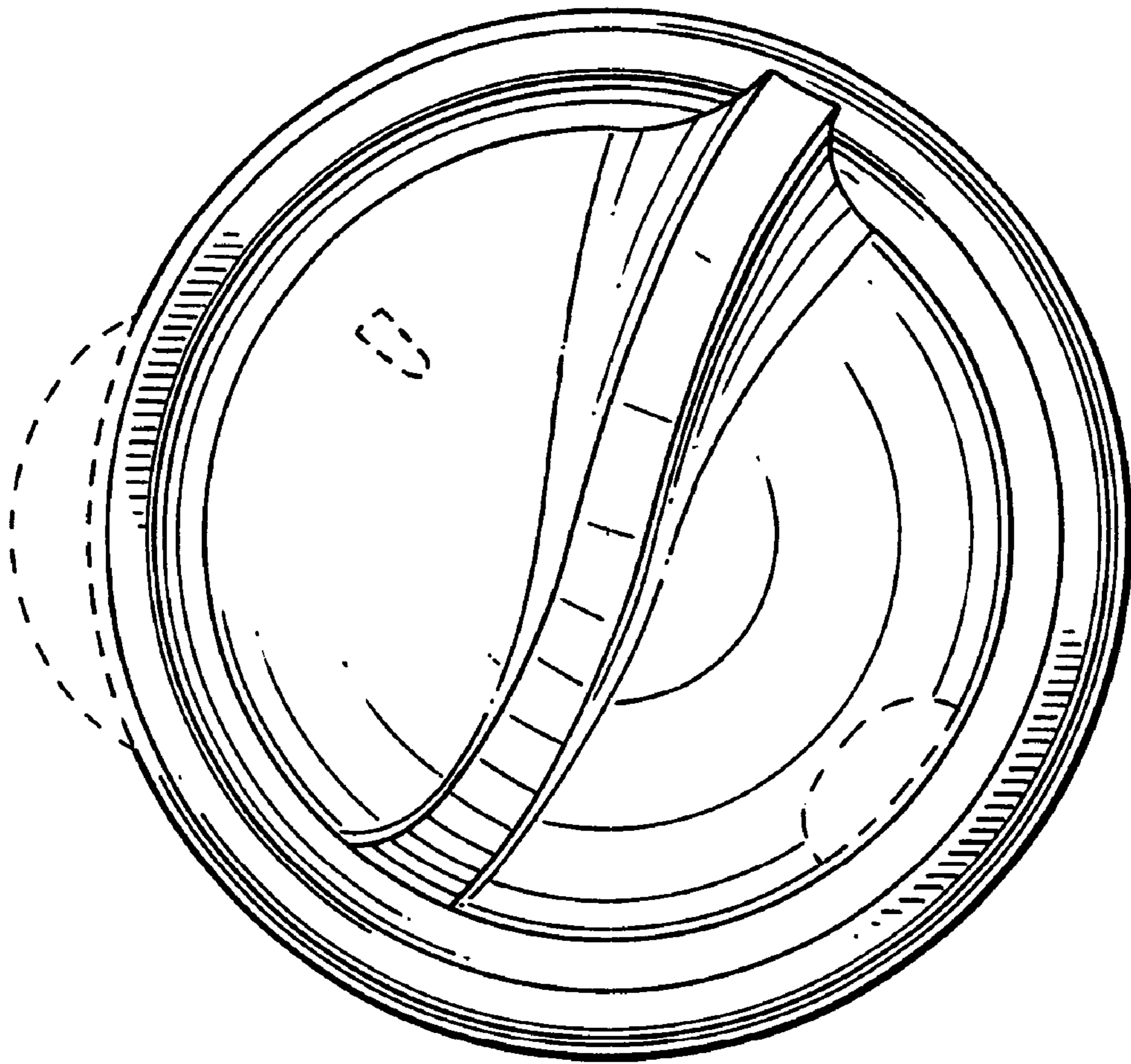


FIG. 7