



US00D47000S

(12) **United States Design Patent**  
**Hillman**

(10) **Patent No.: US D470,000 S**

(45) **Date of Patent: \*\* Feb. 11, 2003**

(54) **CD DISPLAY RACK**

(76) Inventor: **Glenn Hillman**, 31 Elm St., Apt. D,  
Westfield, NJ (US) 07090

(\*\*) Term: **14 Years**

(21) Appl. No.: **29/159,462**

(22) Filed: **Apr. 22, 2002**

(51) **LOC (7) Cl. .... 06-04**

(52) **U.S. Cl. .... D6/629; D6/630**

(58) **Field of Search** ..... D6/407, 628-630,  
D6/467-469, 450, 453, 462, 465, 466;  
206/307, 307.1, 308.1; 211/40, 41.1, 41.2,  
41.12; 312/9.1, 9.9, 9.47, 9.48, 9.51-9.56,  
9.64

(56) **References Cited**

**U.S. PATENT DOCUMENTS**

5,172,817	A	*	12/1992	Gross	.....	211/40
5,351,835	A	*	10/1994	Hallgren	.....	211/40
5,462,177	A	*	10/1995	O'Donnell	.....	211/40
5,603,415	A	*	2/1997	Balnis, Jr.	.....	211/40
5,769,244	A	*	6/1998	Wyatt	.....	211/40
D427,000	S	*	6/2000	Brown	.....	D6/629
6,209,730	B1	*	4/2001	Ewing	.....	211/40

**OTHER PUBLICATIONS**

[http://www.bludot.com/productpics/pib\\_2D3DWMCD\\_blue.gif](http://www.bludot.com/productpics/pib_2D3DWMCD_blue.gif); Wall Mount CD Rack; Design & Manufacturing Inc., 3306 5th Street, N.E., Minneapolis, MN 55418; Apr. 21, 2002.

[http://www.bludot.com/productpics/pib\\_2D3D4SCD\\_green.gif](http://www.bludot.com/productpics/pib_2D3D4SCD_green.gif); 4 Squared CD Rack; Design & Manufacturing Inc., 3306 5th Street, N.E., Minneapolis, MN 55418; Apr. 21, 2002.

<http://www.offi.com/prods/pix/3/2/05.jpg>; CD Tower; Offi & Company, 5850 Hollis Street, Emeryville, PA 94608; Apr. 21, 2002.

\* cited by examiner

*Primary Examiner*—Cathron C. Brooks

(74) *Attorney, Agent, or Firm*—Lerner, David, Littenberg, Krumholz & Mentlik, LLP

(57) **CLAIM**

The ornamental design for a CD display rack, as shown and described.

**DESCRIPTION**

FIG. 1 is a perspective view looking from above of a CD display rack showing my new design;  
FIG. 2 is a front elevational view thereof;  
FIG. 3 is a rear elevational view thereof;  
FIG. 4 is a left side elevational view thereof;  
FIG. 5 is a right side elevational view thereof;  
FIG. 6 is a top plan view thereof; and,  
FIG. 7 is a bottom plan view thereof.

**1 Claim, 5 Drawing Sheets**

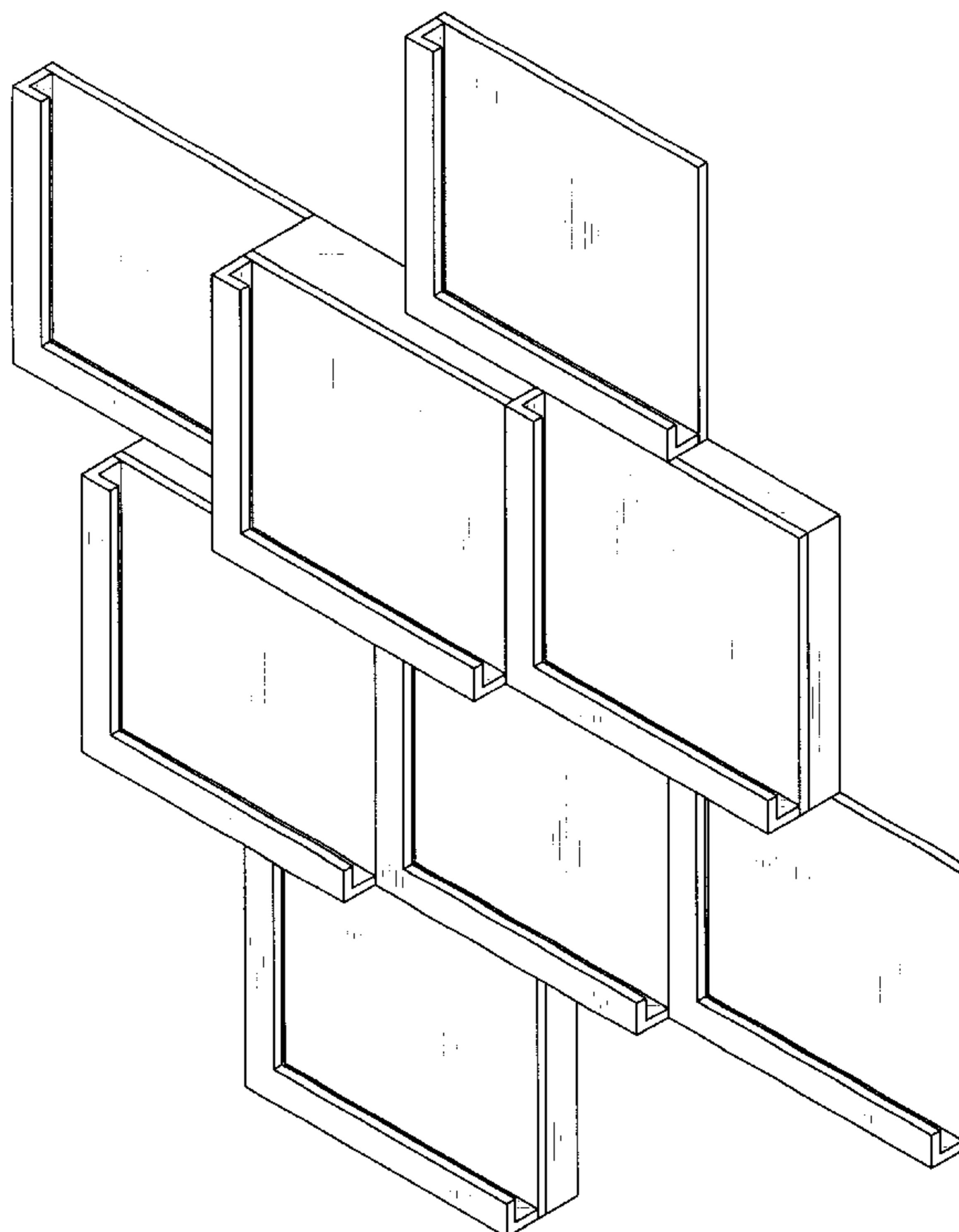


FIG. 1

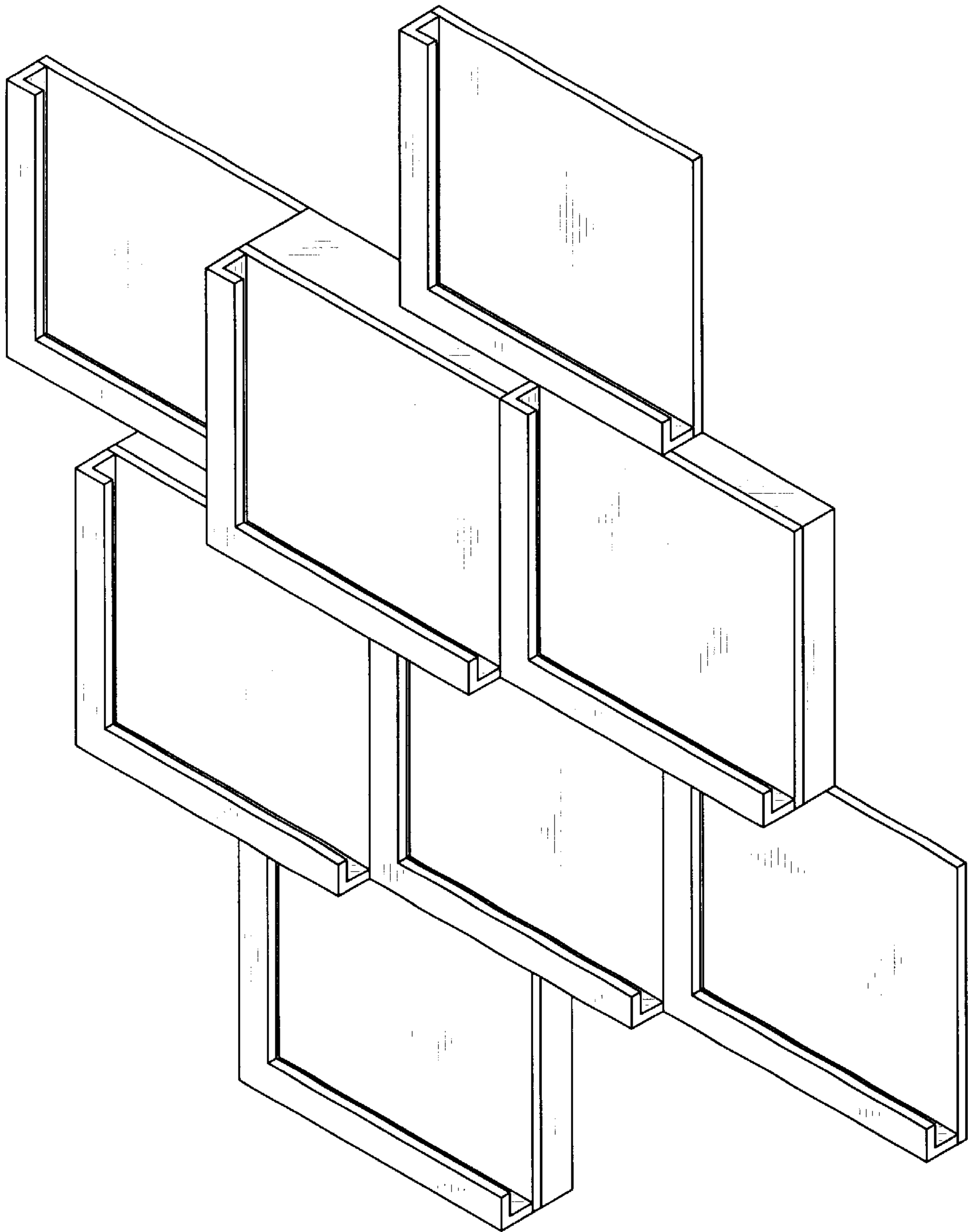


FIG. 2

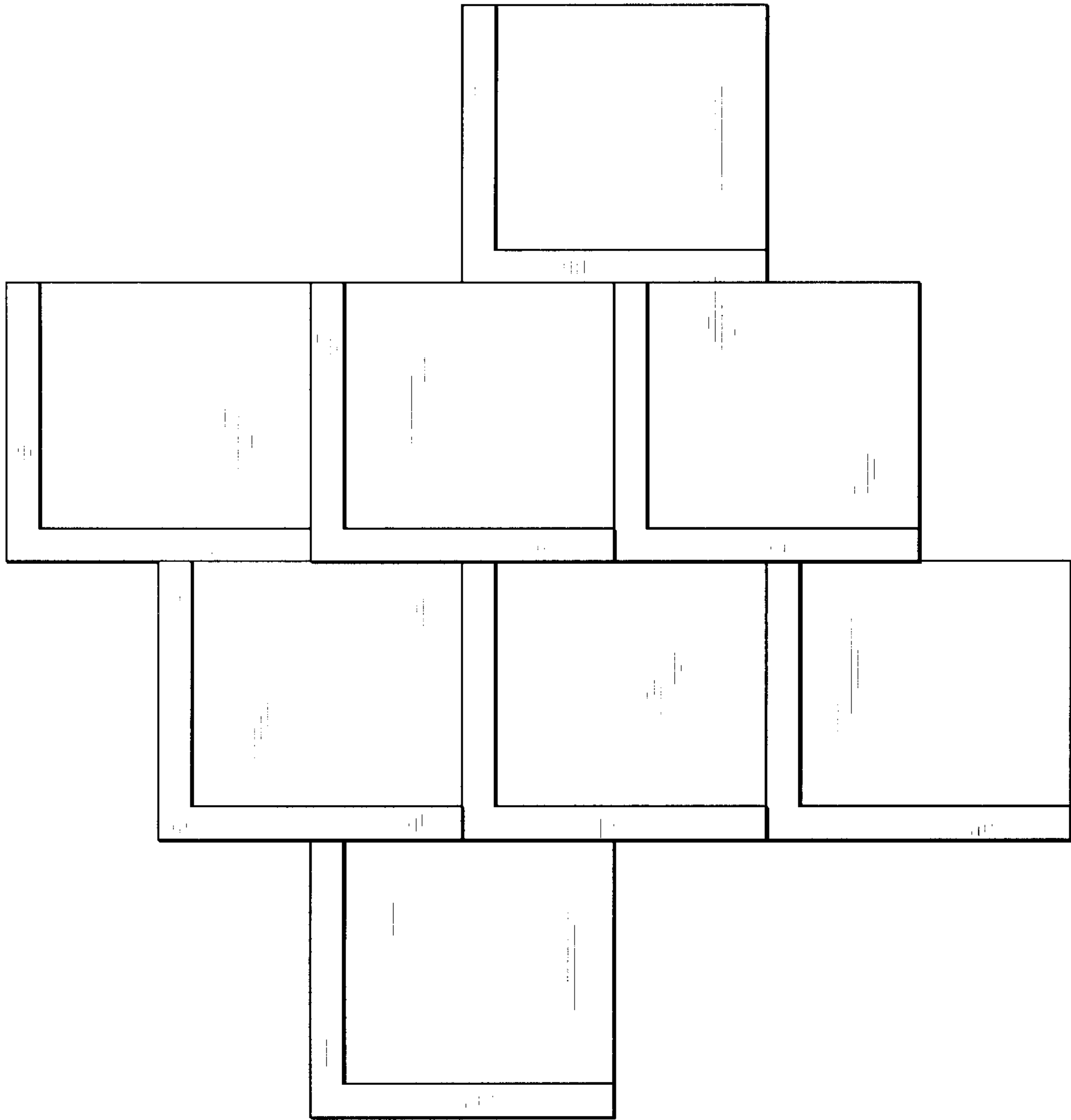
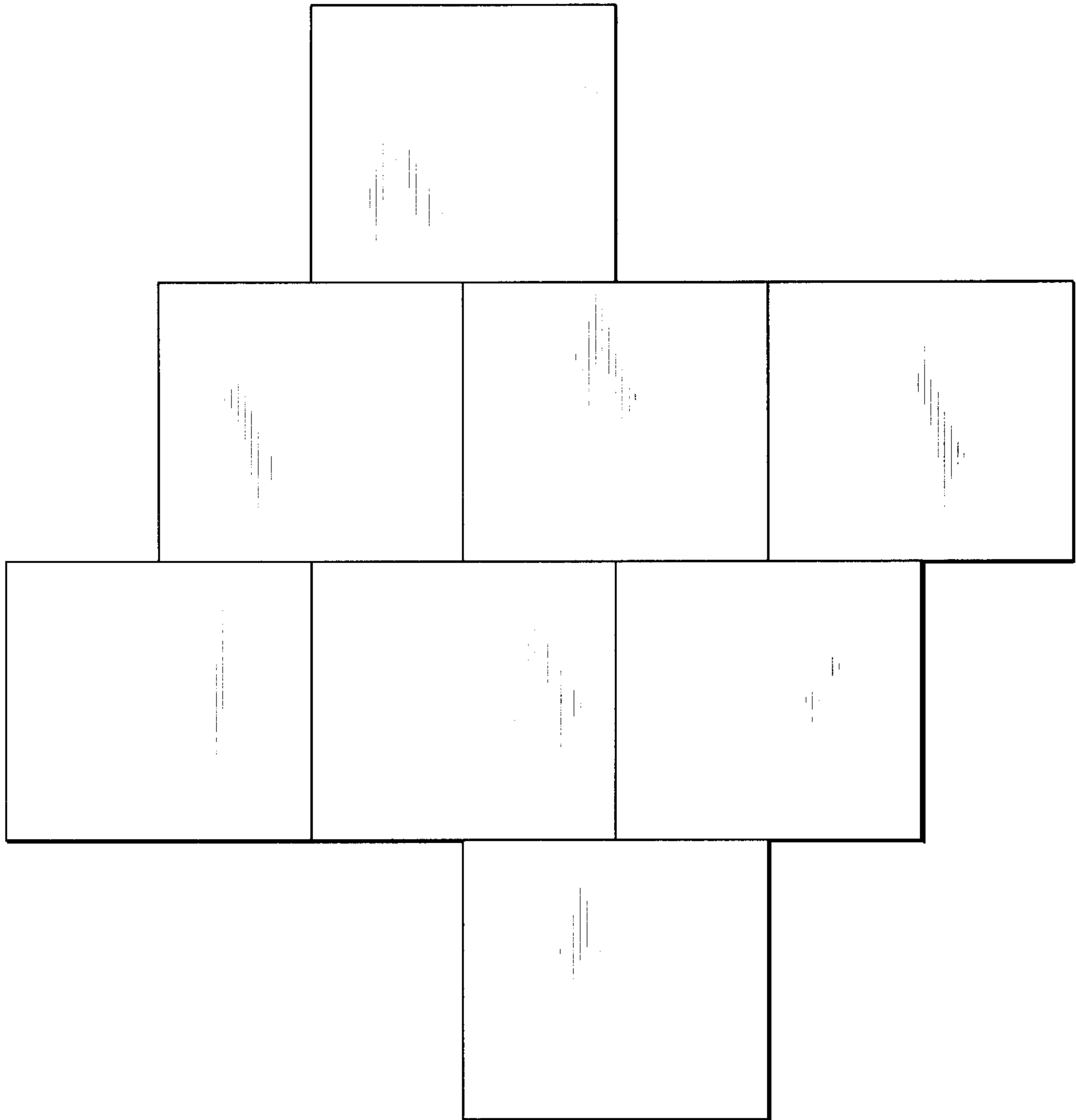
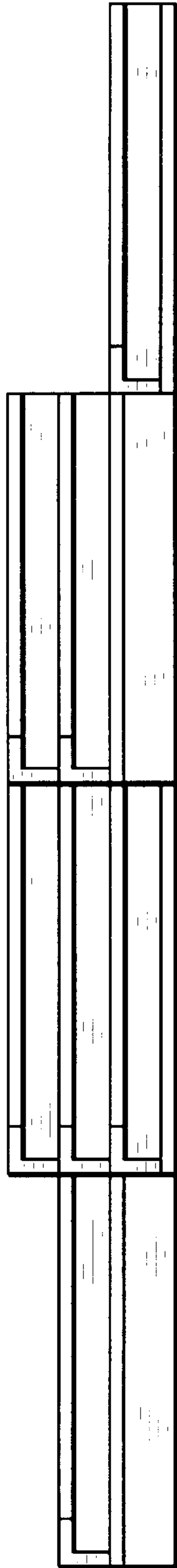


FIG. 3



*FIG. 4*



*FIG. 5*

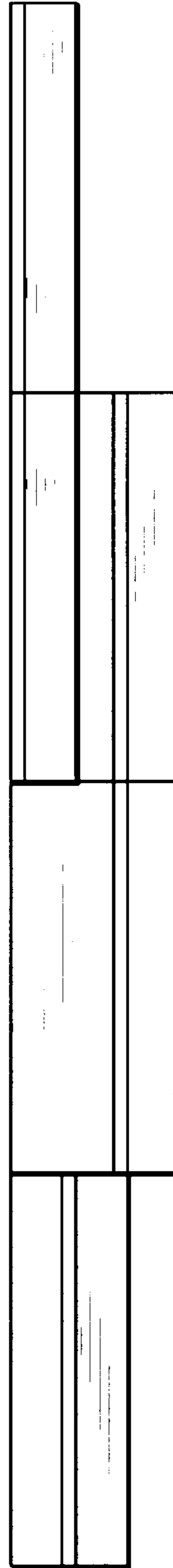


FIG. 6

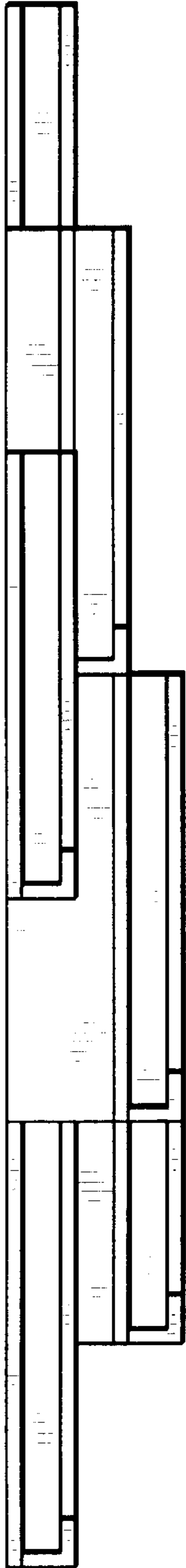


FIG. 7

