

US00D46996S

(12) **United States Design Patent**  
**Ashby**

(10) **Patent No.:** **US D469,996 S**

(45) **Date of Patent:** **\*\* Feb. 11, 2003**

(54) **TABLE TOP**

(75) **Inventor:** **Kent Ashby**, Logan, UT (US)

(73) **Assignee:** **Lifetime Products, Inc.**, Clearfield, UT (US)

(\*\*) **Term:** **14 Years**

(21) **Appl. No.:** **29/167,628**

(22) **Filed:** **Sep. 18, 2002**

(51) **LOC (7) Cl.** ..... **06-06**

(52) **U.S. Cl.** ..... **D6/511**

(58) **Field of Search** ..... D6/480-489, 511,  
D6/429, 422; 108/150, 153.1, 155, 156,  
157.1, 157.15, 159.12, 161, 27; 312/140.3,  
140.2

(56) **References Cited**

**U.S. PATENT DOCUMENTS**

2,857,228 A	10/1958	Koett	
2,879,118 A	3/1959	Kolb	
3,108,550 A	10/1963	Knoblock	
3,247,811 A	4/1966	Bauder	
3,906,848 A	9/1975	Gow	99/339
3,954,068 A	5/1976	Roberts et al.	108/124
4,099,469 A	7/1978	Sahli	108/1
4,105,271 A	8/1978	Sebel et al.	312/253
4,196,675 A	4/1980	Cook	108/6
4,248,161 A	2/1981	Adair et al.	108/6
D353,286 S	* 12/1994	Hand	D6/480
D355,091 S	* 2/1995	Green et al.	D6/511
D358,954 S	* 6/1995	Leduc	D6/480
D366,781 S	2/1996	Cartwright	D6/422
5,603,267 A	2/1997	Soper	108/124
5,644,994 A	7/1997	Liang et al.	108/116

6,019,050 A	2/2000	Ranta	108/6
D452,626 S	* 1/2002	Petri	D6/511
D452,787 S	* 1/2002	Petri	D6/511

**OTHER PUBLICATIONS**

Mosaic, Gunlock Co., c2000, p. 3, profile edge in center.\*

\* cited by examiner

*Primary Examiner*—Janice E. Seeger

(74) *Attorney, Agent, or Firm*—Workman, Nydeggar & Seeley

(57) **CLAIM**

The ornamental design for a table top, as shown and described.

**DESCRIPTION**

FIG. 1 is a perspective view of a table top in accordance with a preferred embodiment of the present invention, the perspective view being from an upper, front, left view of the table top;

FIG. 2 is another perspective view of the table top shown in FIG. 1, the perspective view being from an upper, rear, right view of the table top;

FIG. 3 is another perspective view of the table top shown in FIG. 1, the perspective view being from a lower, front view of the table top;

FIG. 4 is a right side view of the table top shown in FIG. 1;

FIG. 5 is a left side view of the table top shown in FIG. 1;

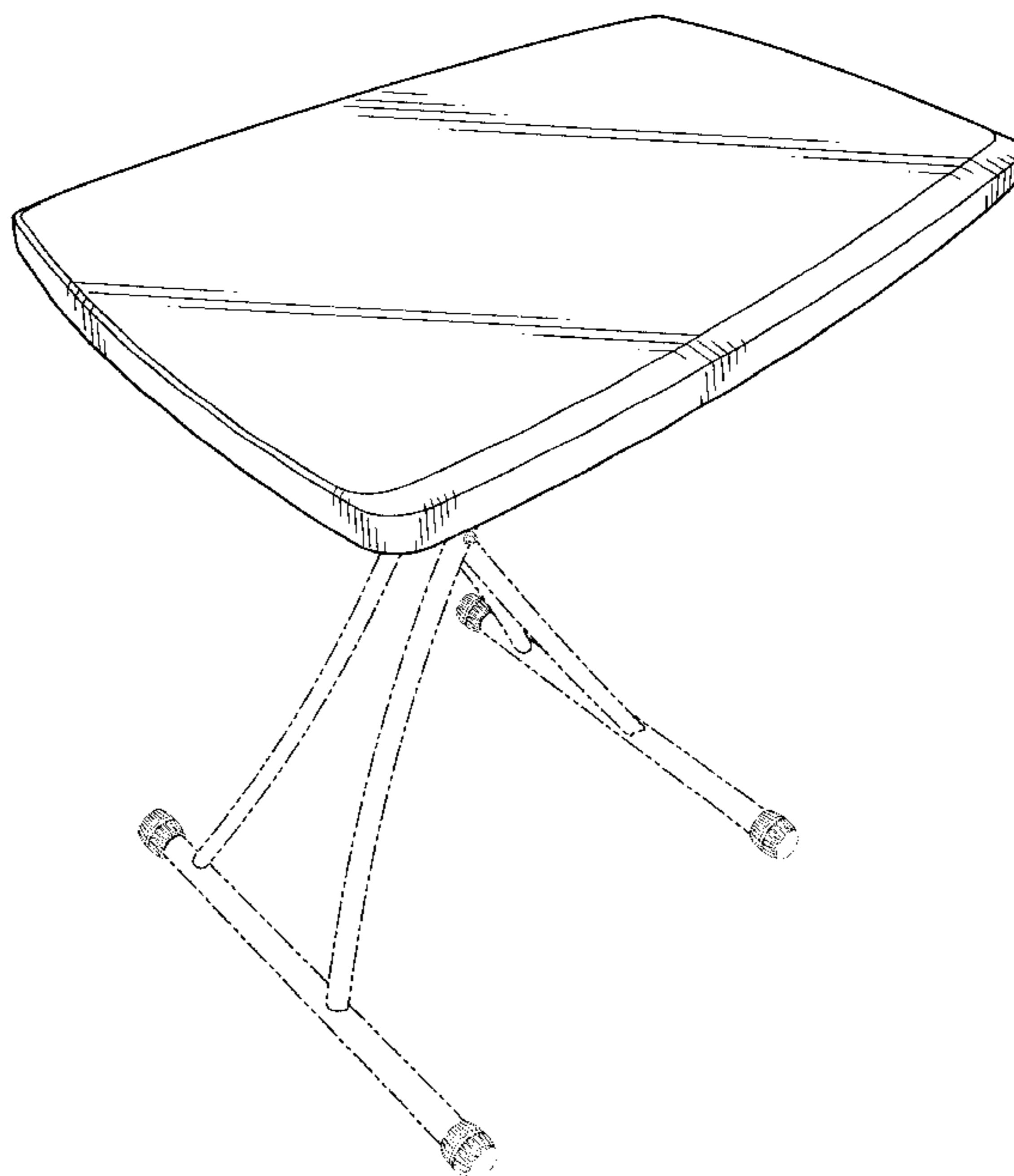
FIG. 6 is a top view of the table top shown in FIG. 1;

FIG. 7 is a front view of the table top shown in FIG. 1; and,

FIG. 8 is a rear view of the table top shown in FIG. 1.

The broken lines are for environmental purposes only and form no part of the claimed design.

**1 Claim, 4 Drawing Sheets**



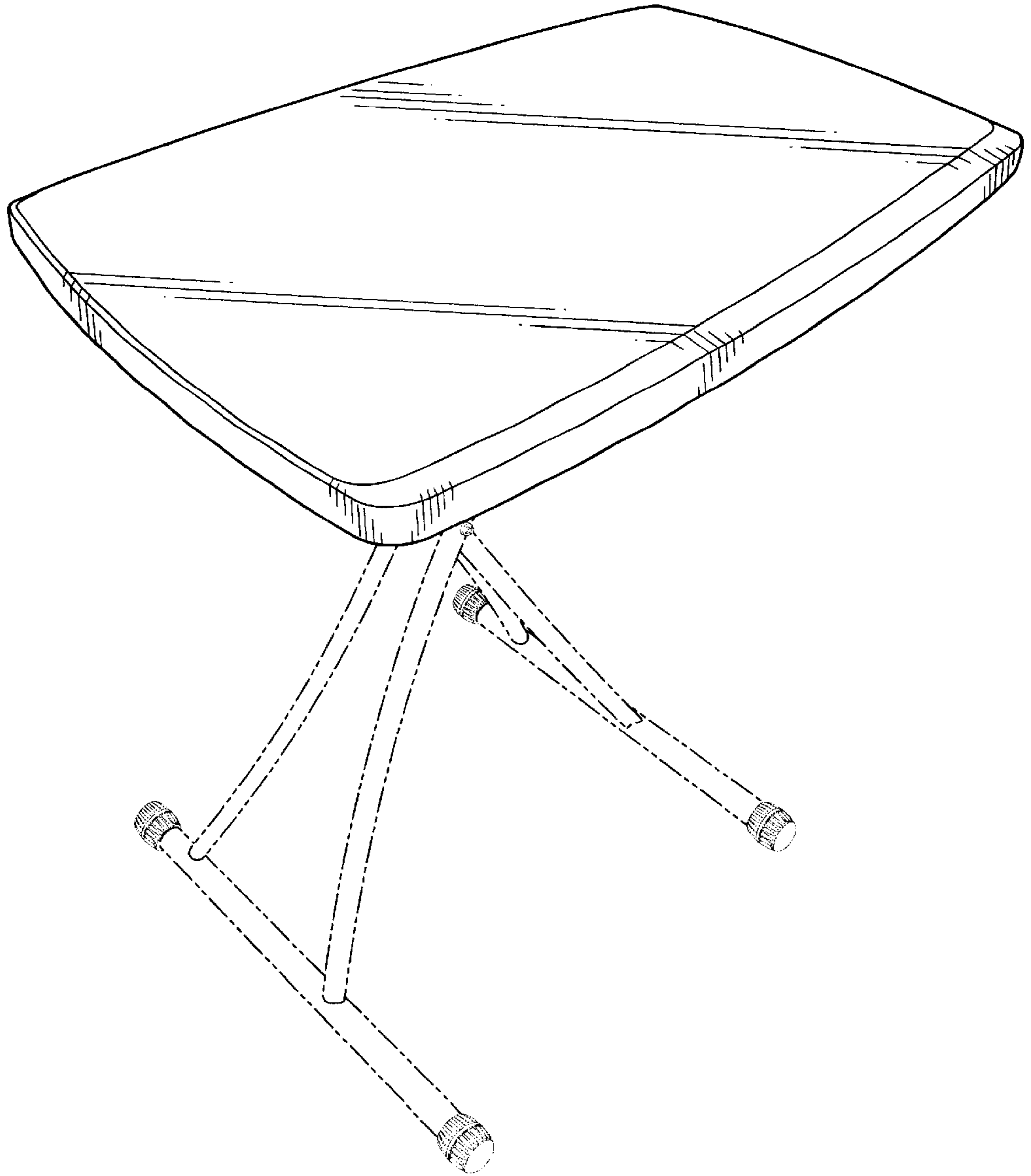


Fig. 1

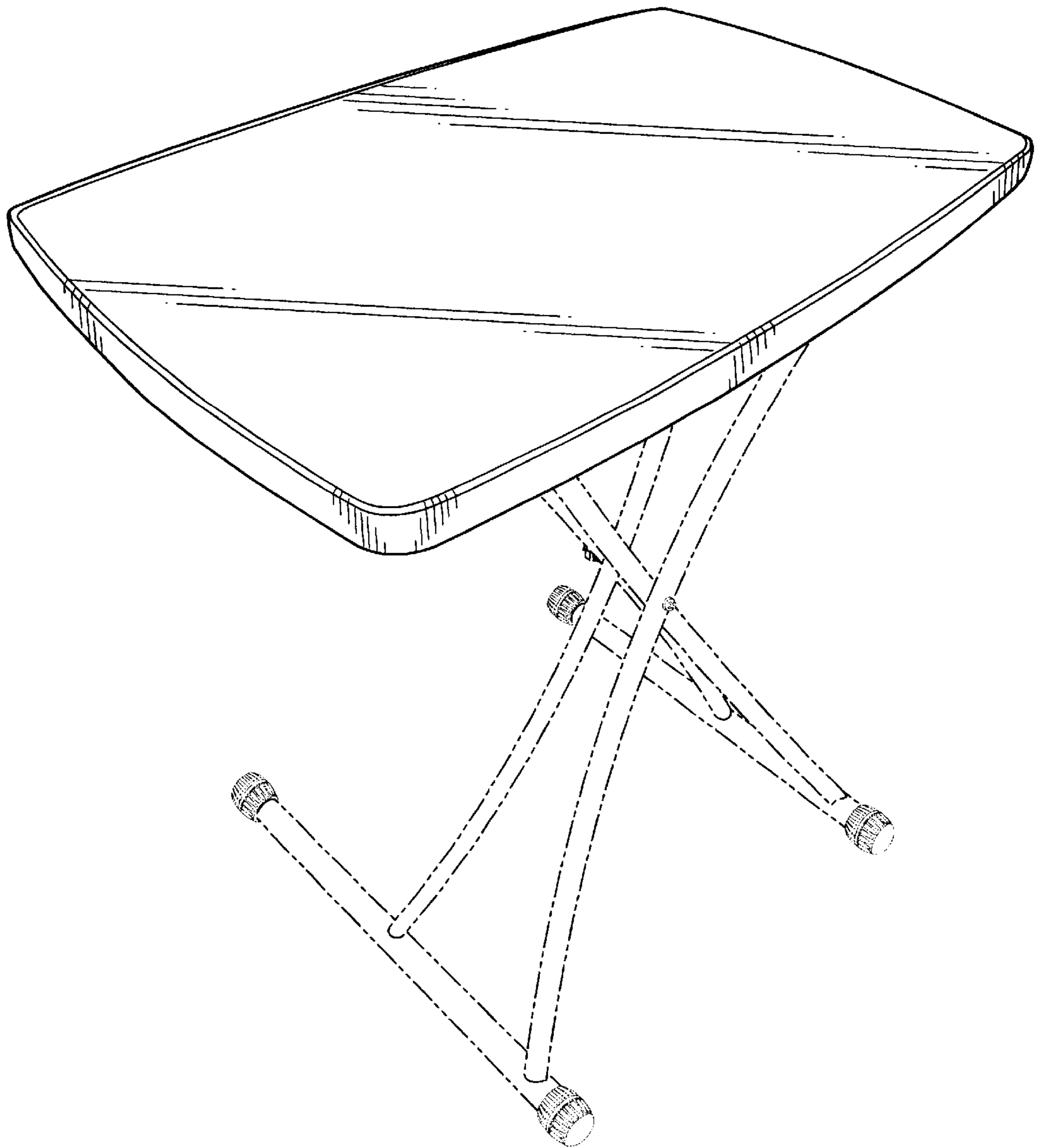


Fig. 2

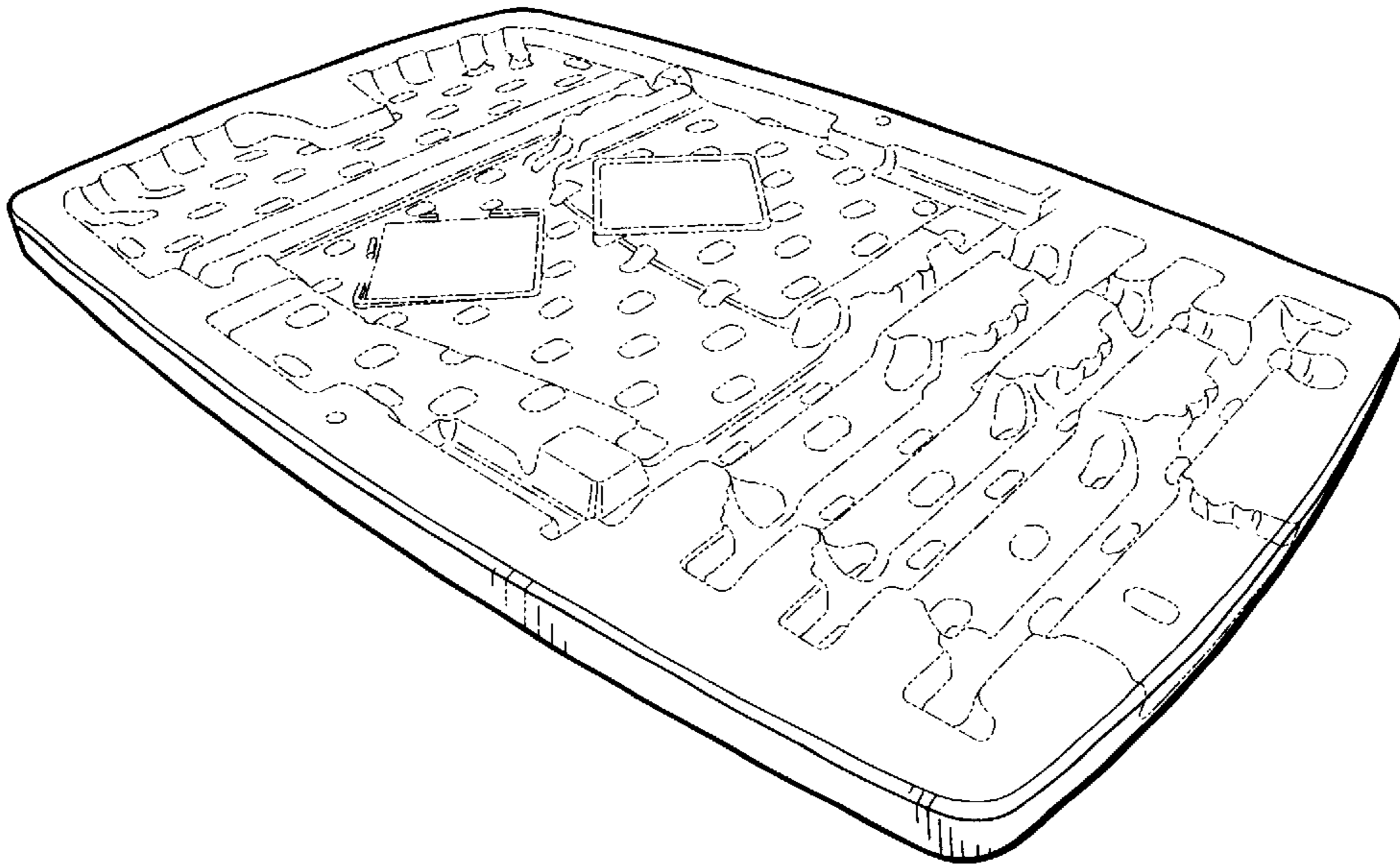


Fig. 3



Fig. 4

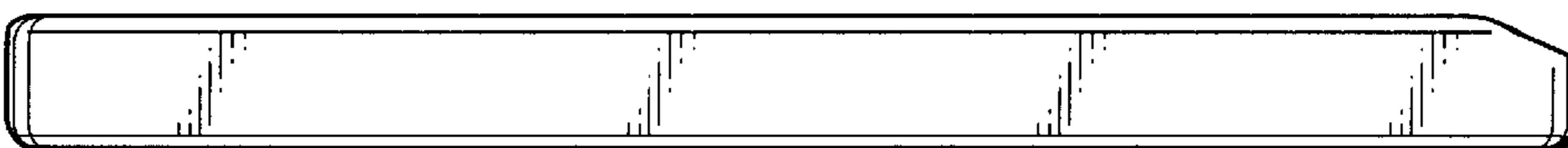


Fig. 5



Fig. 7

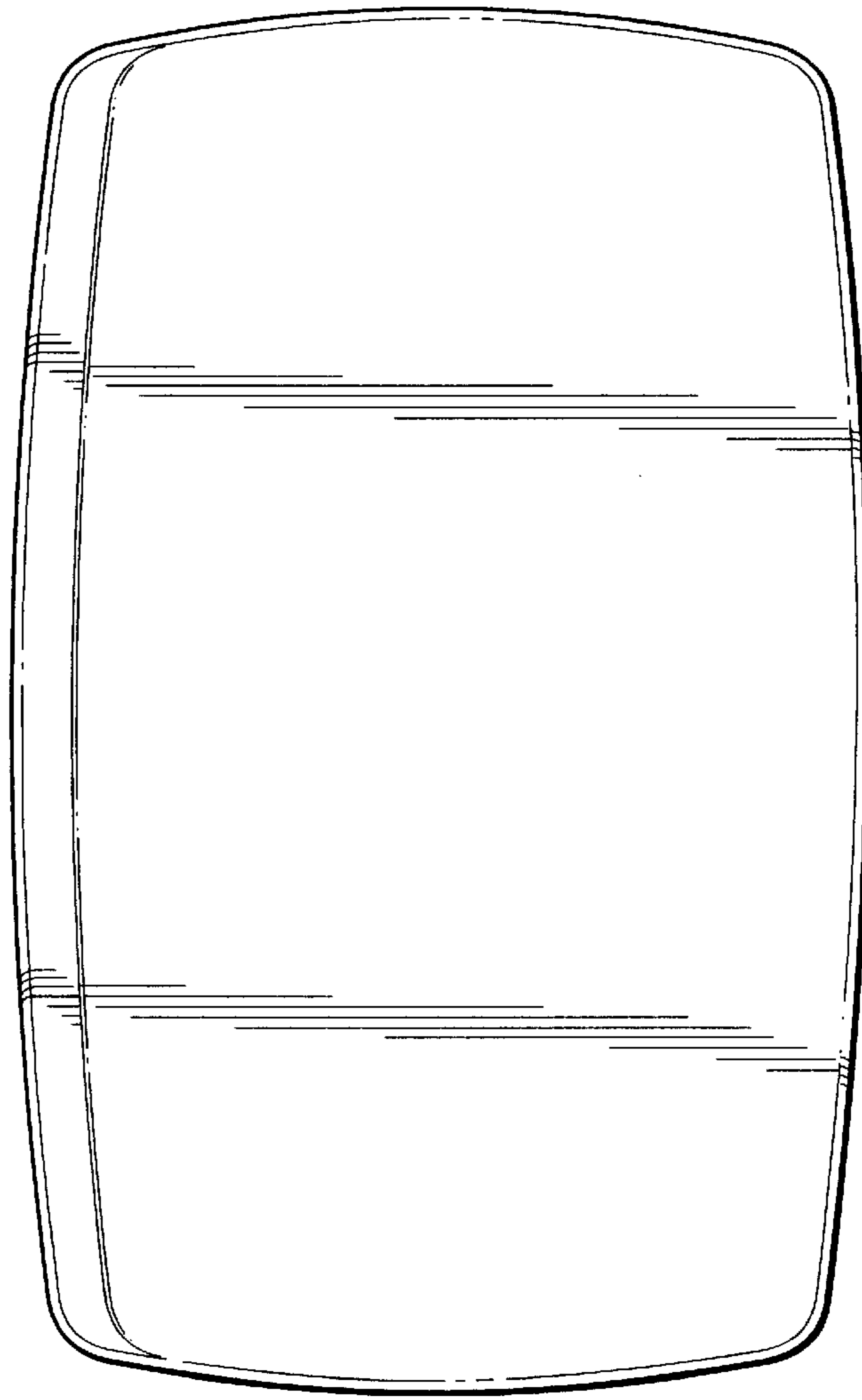


Fig. 6



Fig. 8

UNITED STATES PATENT AND TRADEMARK OFFICE  
**CERTIFICATE OF CORRECTION**

PATENT NO. : Des. 469,996 S  
DATED : February 11, 2003  
INVENTOR(S) : L. Curtis Strong

Page 1 of 1

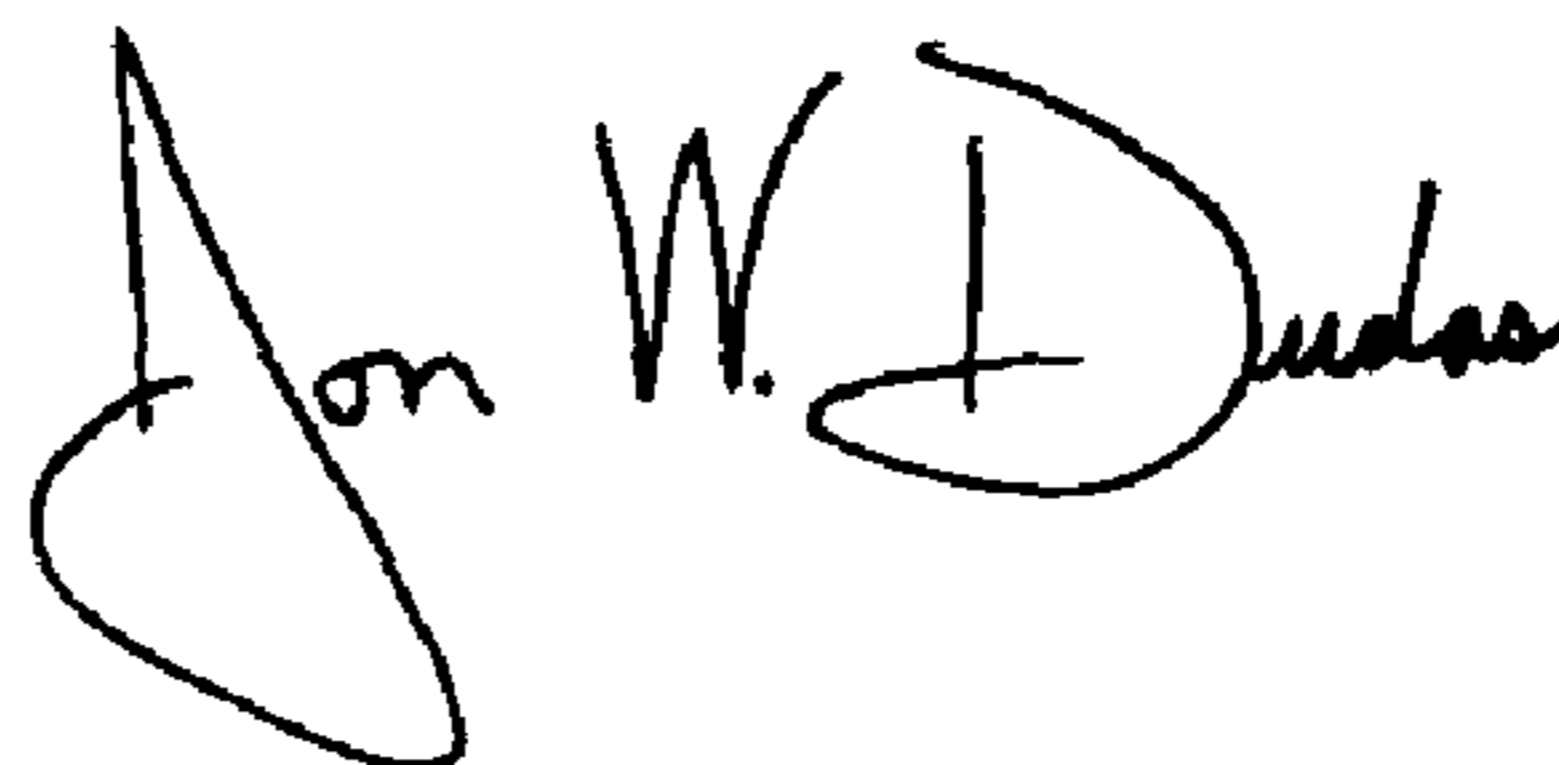
It is certified that error appears in the above-identified patent and that said Letters Patent is hereby corrected as shown below:

Title page,

Item [75], Inventor, change "**Kent Ashby**" to -- **L. Curtis Strong** --

Signed and Sealed this

Thirteenth Day of April, 2004

A handwritten signature in black ink that reads "Jon W. Dudas". The signature is written in a cursive style with a large, looped initial "J".

---

JON W. DUDAS  
*Acting Director of the United States Patent and Trademark Office*