



US00D469994S

(12) **United States Design Patent**
Smith

(10) **Patent No.:** **US D469,994 S**

(45) **Date of Patent:** **** Feb. 11, 2003**

(54) **TABLE LEG**

(75) **Inventor:** **Brandon Smith, Ogden, UT (US)**

(73) **Assignee:** **Lifetime Products, Inc., Clearfield, UT (US)**

(**) **Term:** **14 Years**

(21) **Appl. No.:** **29/167,624**

(22) **Filed:** **Sep. 18, 2002**

(51) **LOC (7) Cl.** **06-06**

(52) **U.S. Cl.** **D6/499**

(58) **Field of Search** D6/480-489, 495-499,
D6/429; 108/153.1, 155, 156, 157.1, 161,
159.15, 157.12, 115, 118, 130; 248/188,
188.1, 188.8, 432, 164

(56) **References Cited**

U.S. PATENT DOCUMENTS

2,471,564	A	*	5/1949	Gaudette	108/118
2,857,228	A		10/1958	Koett		
2,879,118	A		3/1959	Kolb		
3,108,550	A		10/1963	Knoblock		
3,247,811	A		4/1966	Bauder		
D233,392	S	*	10/1974	Hutchinson	D6/429
3,906,848	A		9/1975	Gow	99/339
3,954,068	A		5/1976	Roberts et al.	108/124
4,099,469	A		7/1978	Sahli	108/1
4,105,271	A		8/1978	Sebel et al.	312/253

4,196,675	A		4/1980	Cook	108/6
4,248,161	A		2/1981	Adair et al.	108/6
D366,781	S		2/1996	Cartwright	D6/422
5,603,267	A		2/1997	Soper	108/124
5,644,994	A		7/1997	Liang et al.	108/116
D408,167	S	*	4/1999	Cloud	D6/397
5,893,604	A	*	4/1999	Yao	297/16.1
D416,148	S	*	11/1999	Pagnon et al.	D6/487
6,019,050	A		2/2000	Ranta	108/6

* cited by examiner

Primary Examiner—Janice E. Seeger

(74) *Attorney, Agent, or Firm*—Workman, Nydegger & Seeley

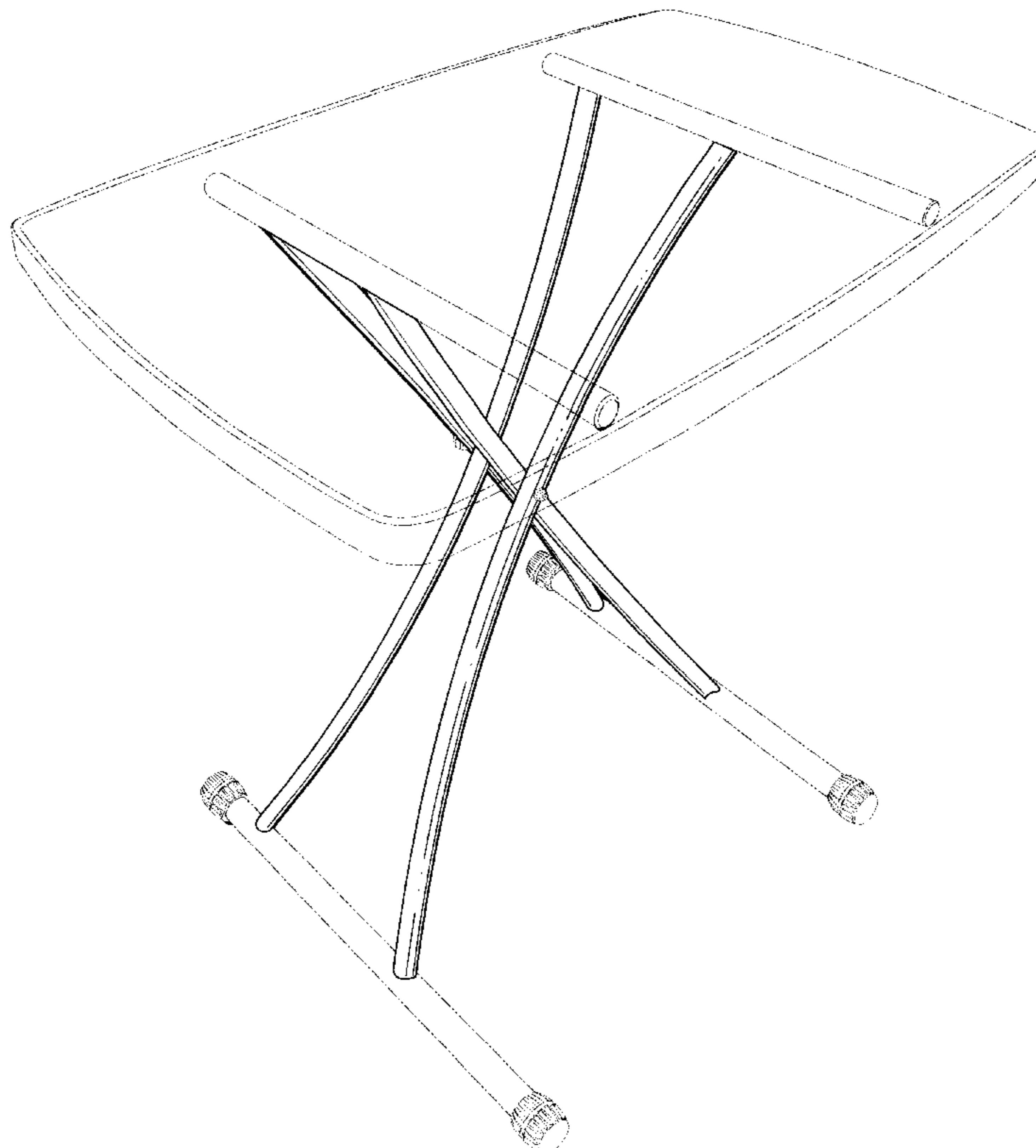
(57) **CLAIM**

The ornamental design for a table leg, as shown and described.

DESCRIPTION

FIG. 1 is a perspective view of a table leg in accordance with a preferred embodiment of the present invention; FIG. 2 is a front view of the table leg shown in FIG. 1; FIG. 3 is a top view of the table leg shown in FIG. 1; FIG. 4 is a right side view of the table leg shown in FIG. 1; FIG. 5 is a bottom view of the table leg shown in FIG. 1; FIG. 6 is a back view of the table leg shown in FIG. 1; and, FIG. 7 is a left side view of the table leg shown in FIG. 1. The broken lines are for environmental purposes only and form no part of the claimed design.

1 Claim, 4 Drawing Sheets



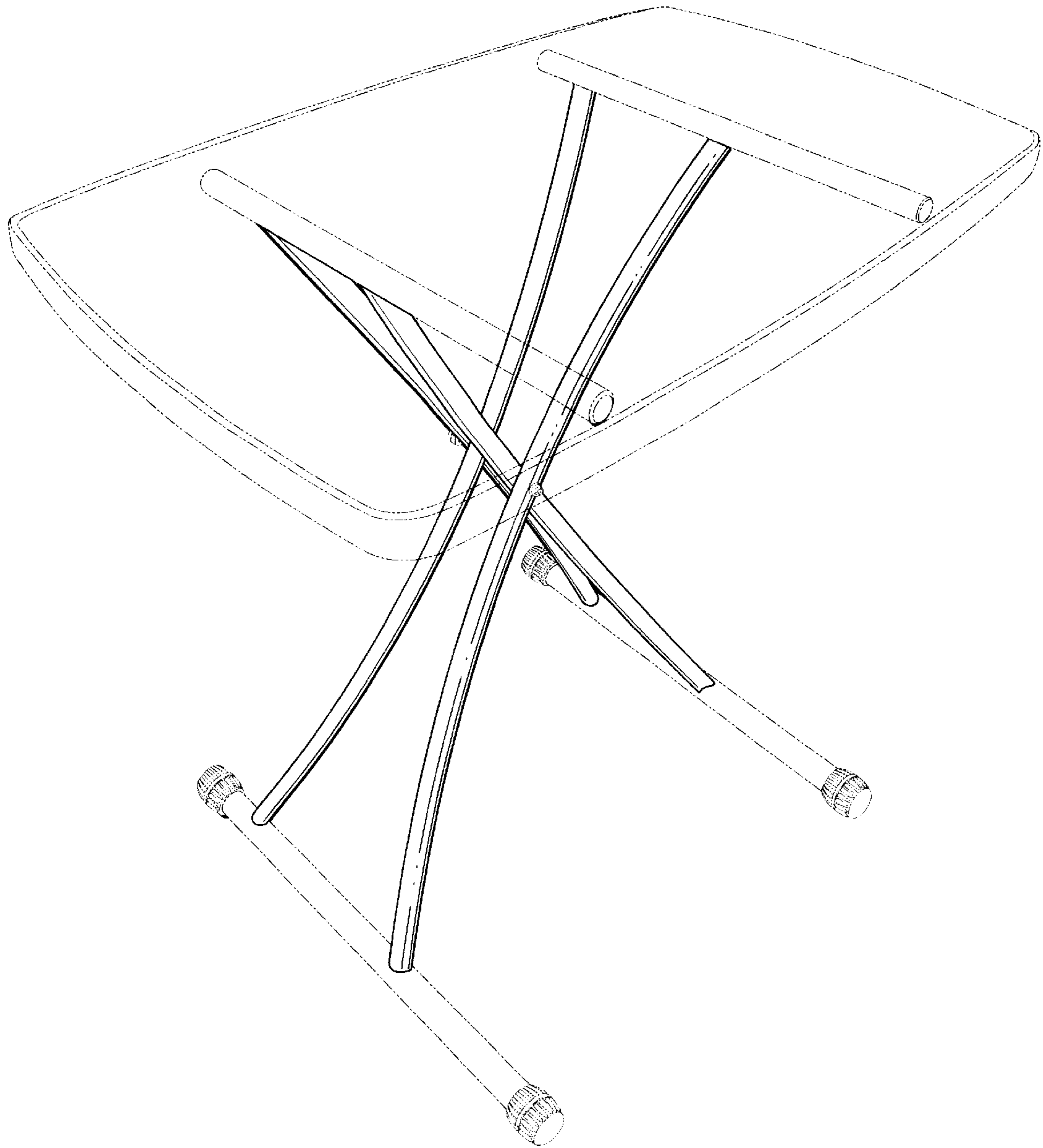


Fig. 1

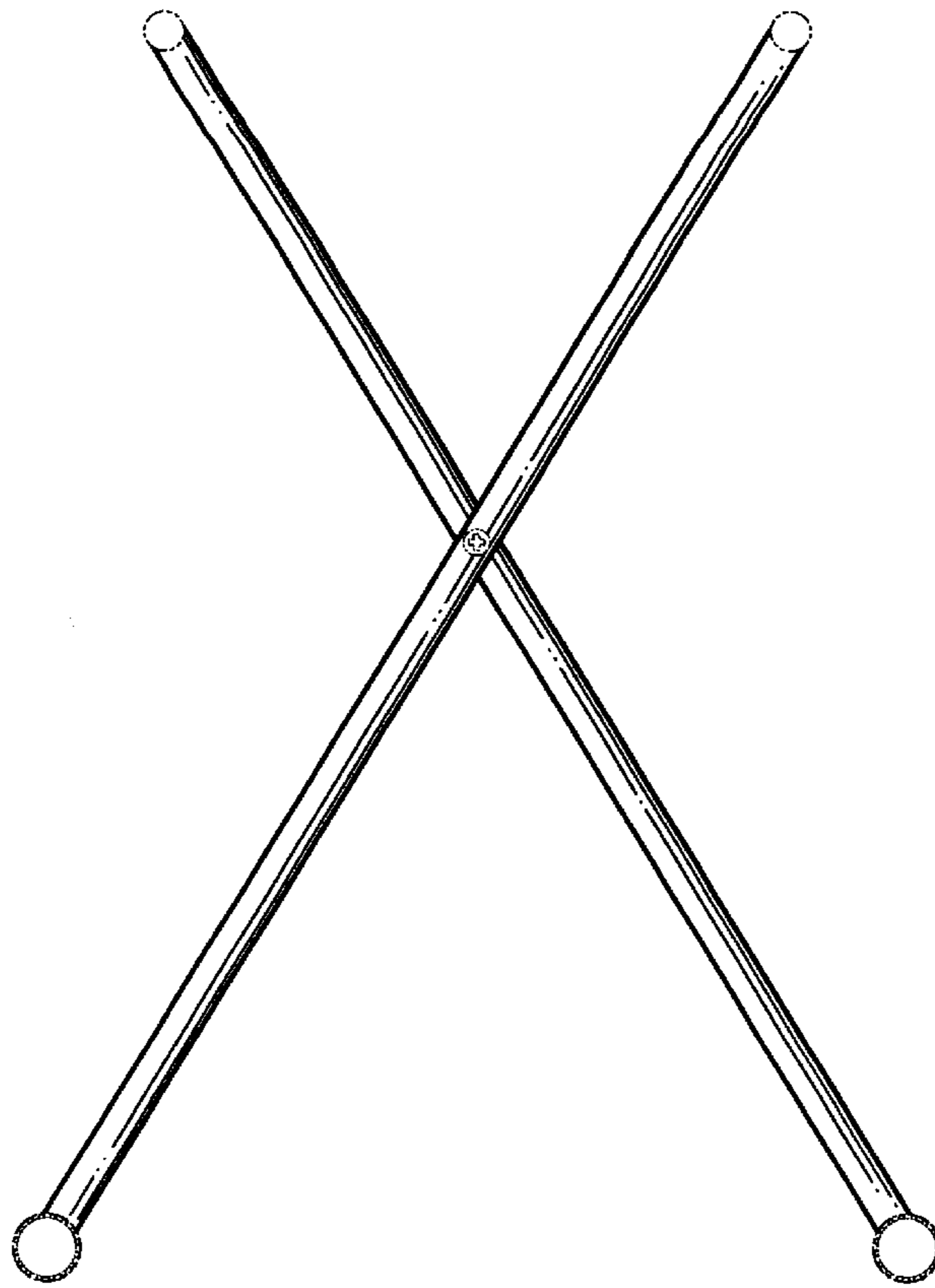


Fig. 2

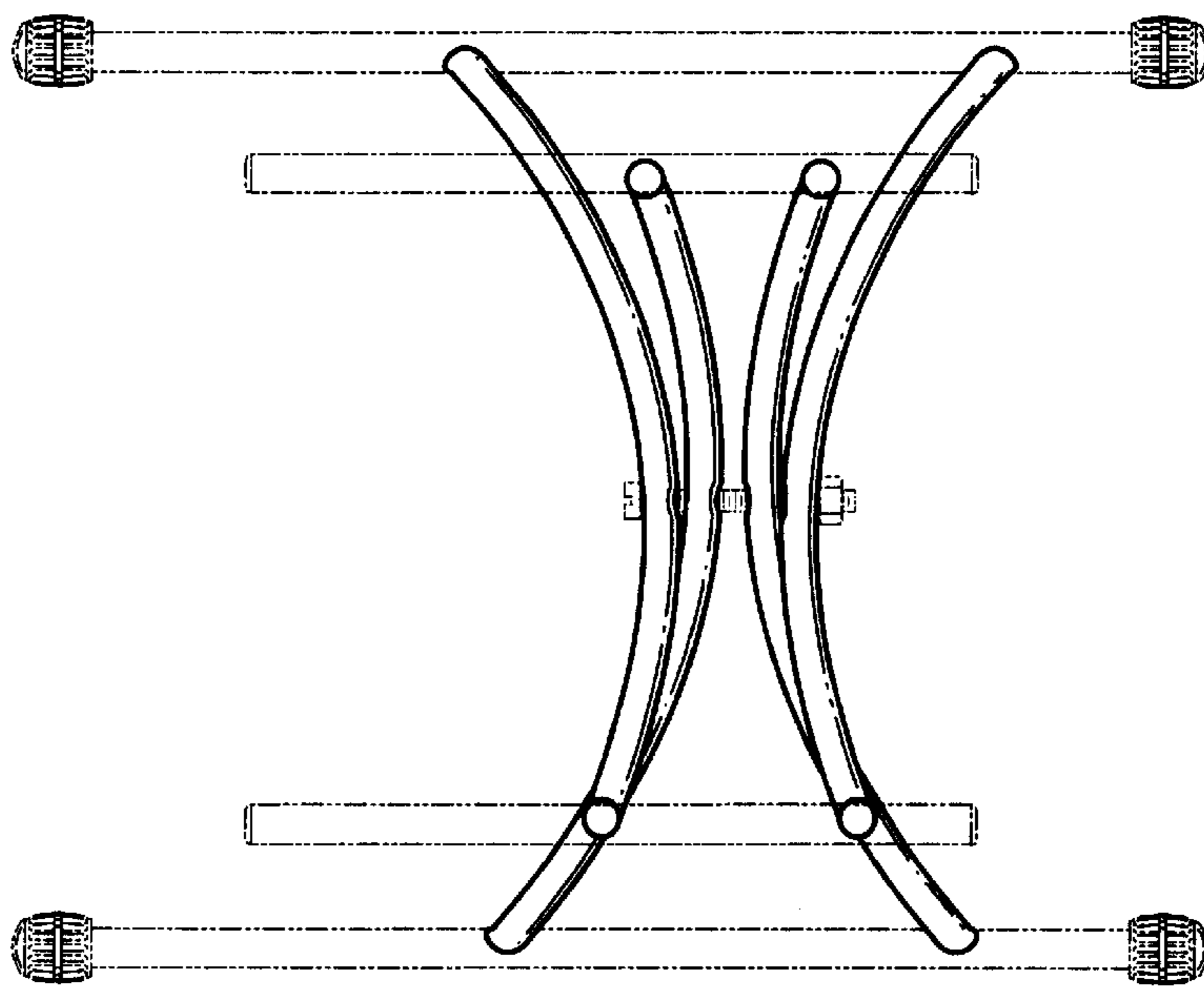


Fig. 3

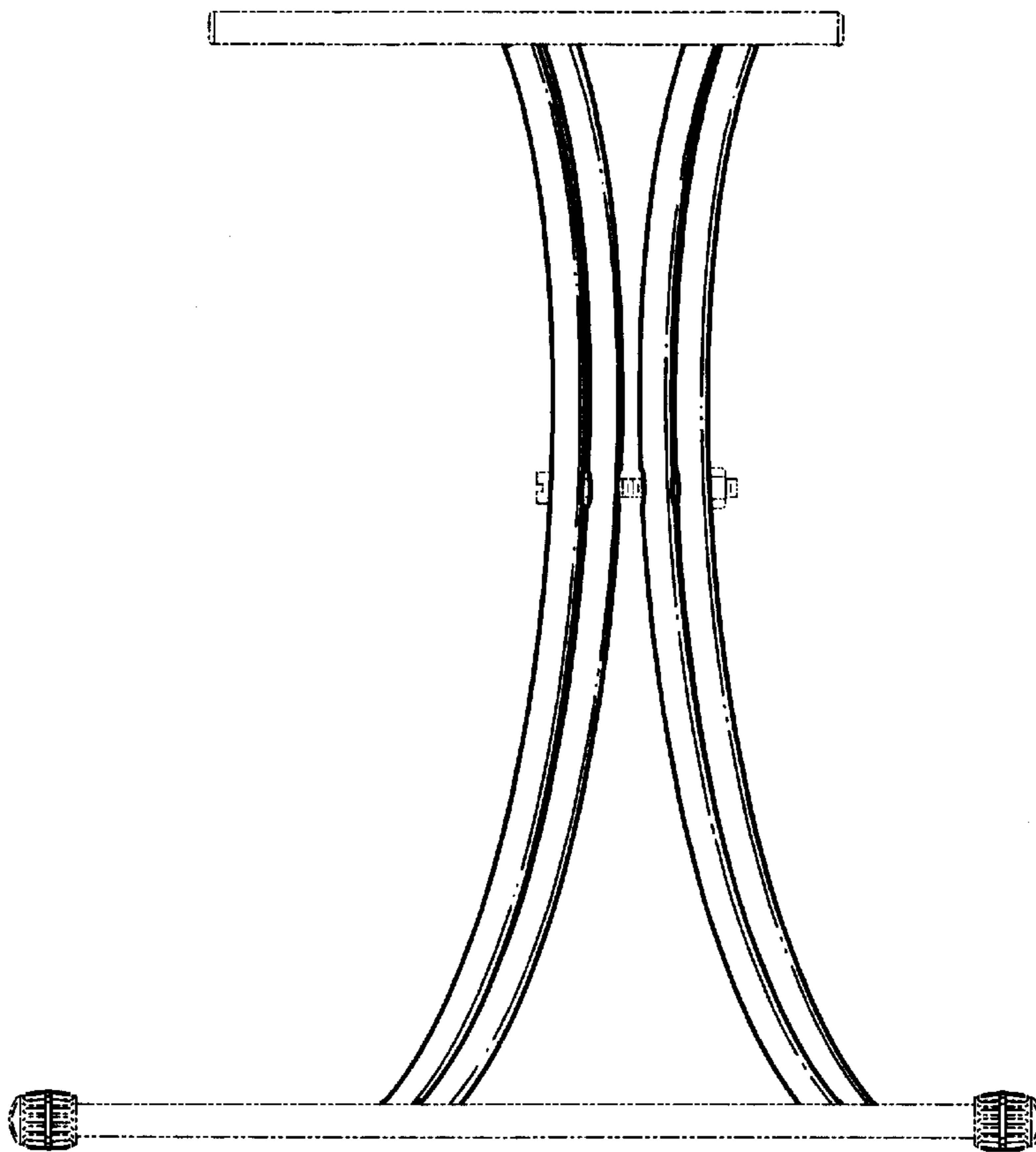


Fig. 4

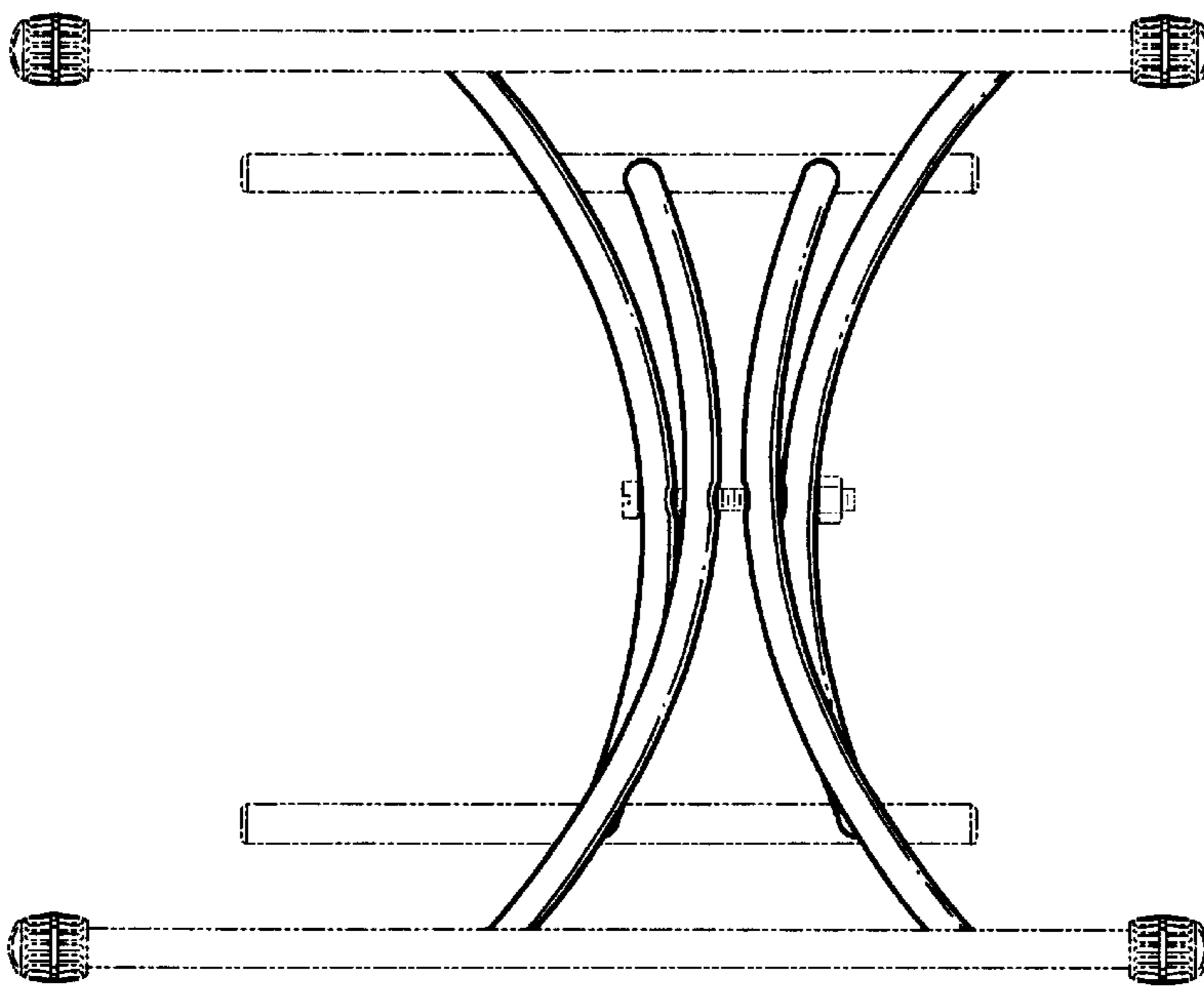


Fig. 5

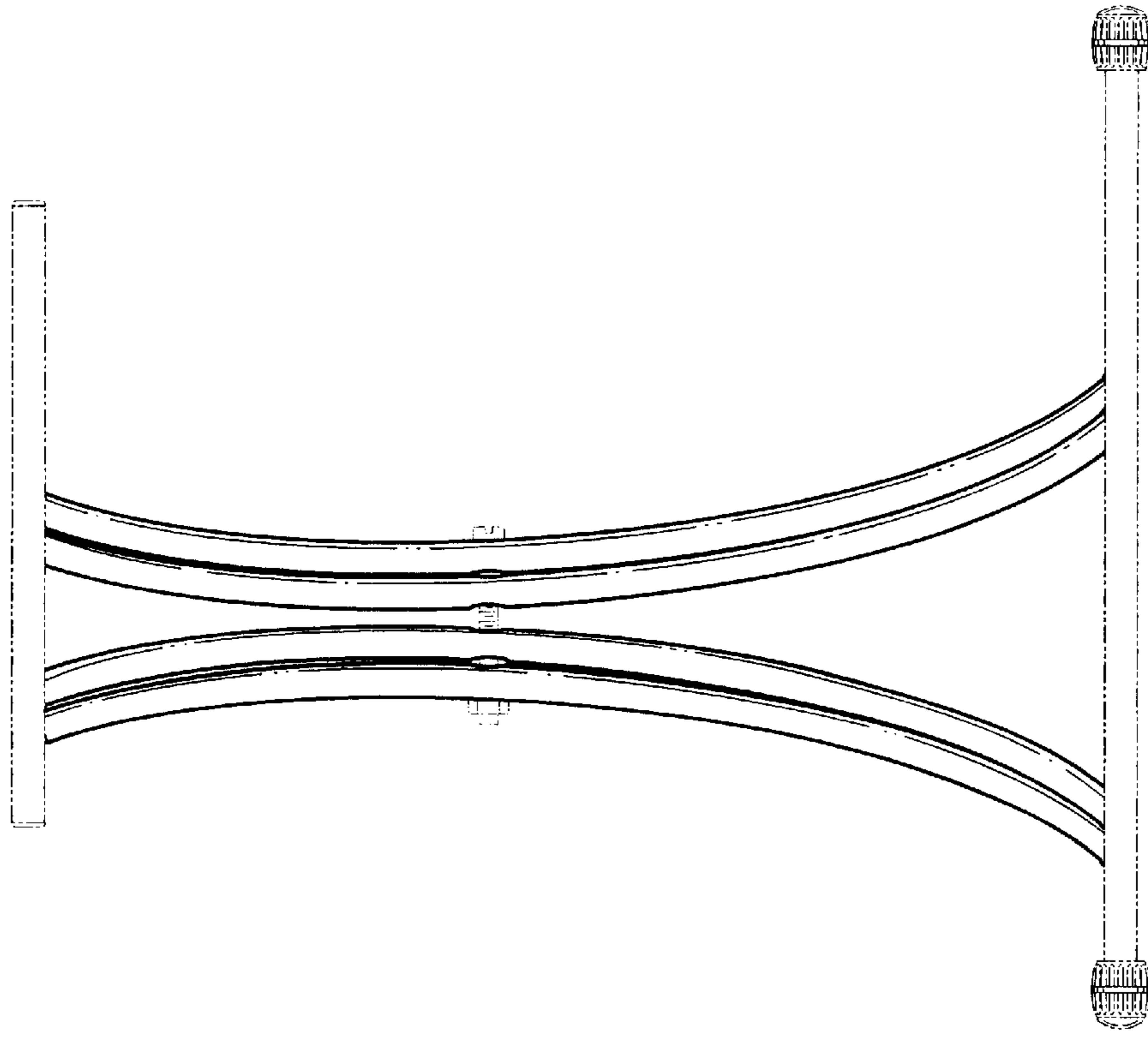


Fig. 7

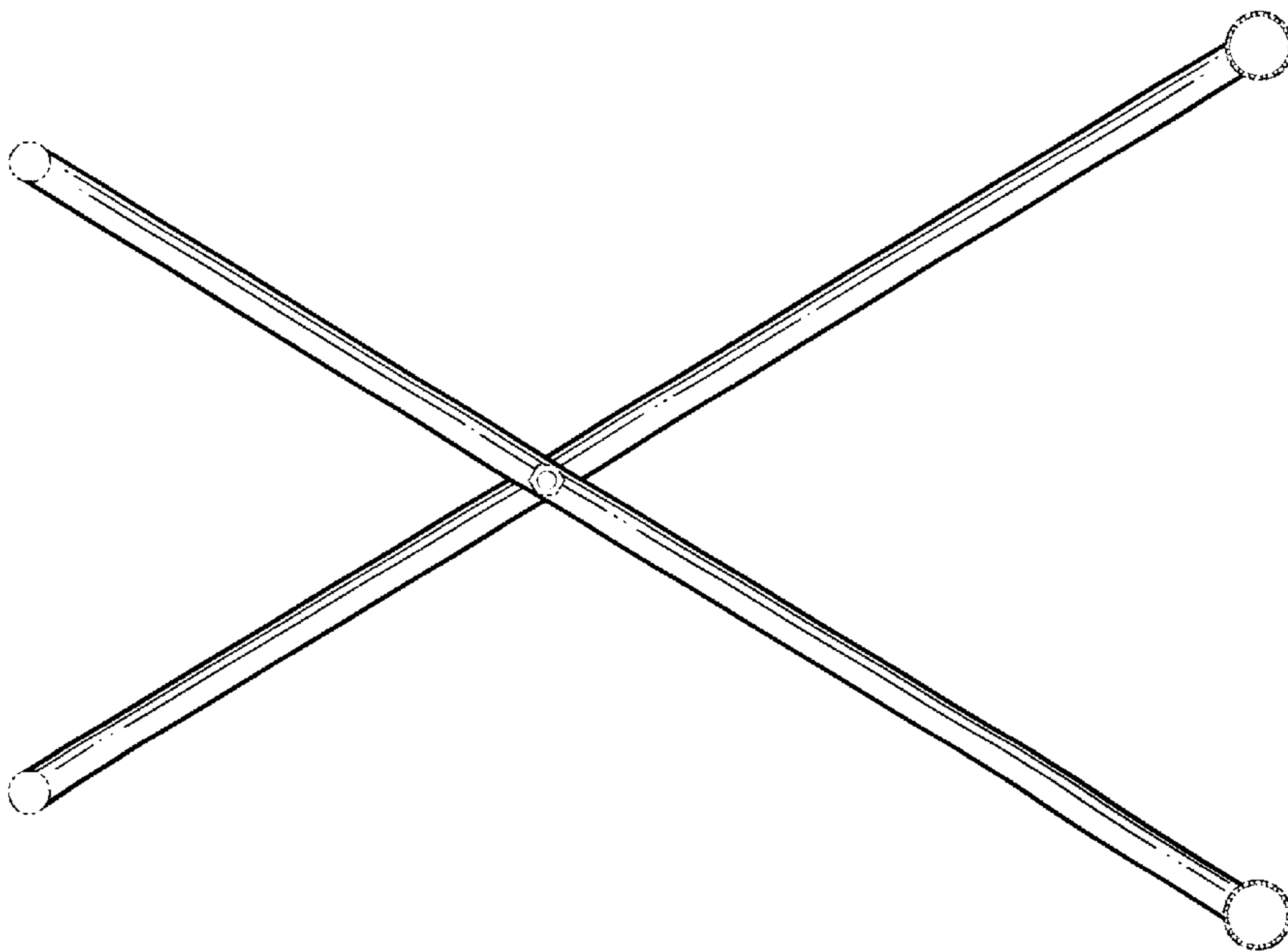


Fig. 6