



US00D46992S

(12) **United States Design Patent**  
**Lasota**

(10) **Patent No.:** **US D469,992 S**

(45) **Date of Patent:** **\*\* Feb. 11, 2003**

(54) **FOOT FOR A WORK STATION**

(75) **Inventor:** **Radoslaw Lasota**, Lilyfield (AU)

(73) **Assignee:** **RJ Concept Group PTY, Ltd.**,  
Lilyfield (AU)

(\*\*) **Term:** **14 Years**

(21) **Appl. No.:** **29/152,134**

(22) **Filed:** **Dec. 14, 2001**

(51) **LOC (7) Cl.** ..... **06-06**

(52) **U.S. Cl.** ..... **D6/495; D8/374**

(58) **Field of Search** ..... D6/480-489, 495-499,  
D6/429-431; 108/150, 153.1, 156, 157.1,  
161; 248/188, 188.1, 188.7, 188.8, 188.9;  
D8/374, 375

(56) **References Cited**

**U.S. PATENT DOCUMENTS**

D26,733 S \* 3/1897 Nickel ..... D8/375

D30,425 S \* 3/1899 Watt ..... D8/374  
1,734,727 A \* 11/1929 Herold ..... 248/188.9  
5,573,212 A \* 11/1996 Palazzolo ..... 248/188.9  
D392,875 S \* 3/1998 Scott ..... D8/375

\* cited by examiner

*Primary Examiner*—Janice E. Seeger

(74) *Attorney, Agent, or Firm*—Welsh & Katz, Ltd.

(57) **CLAIM**

The ornamental design for a foot for a work station, as shown and described.

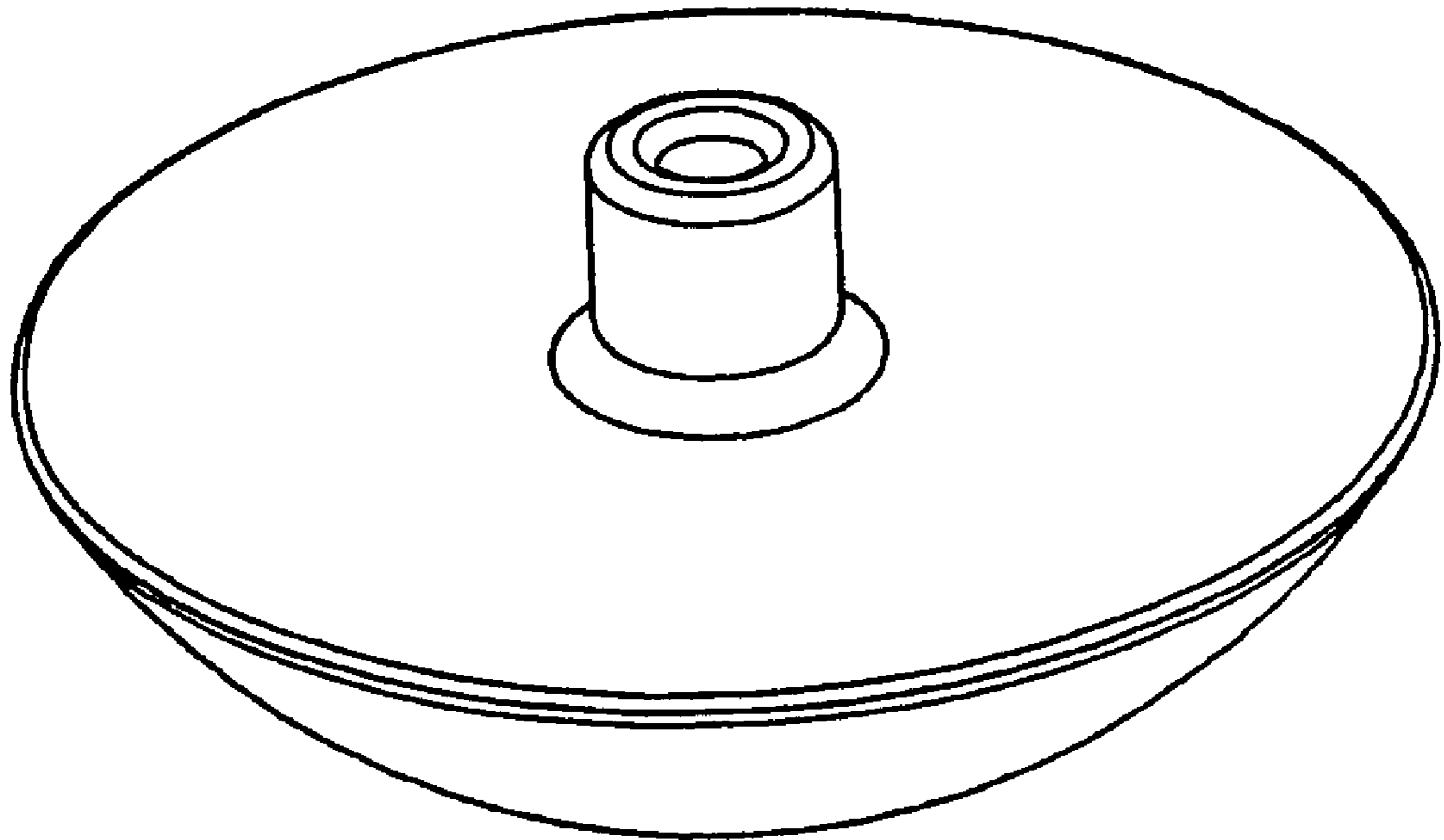
**DESCRIPTION**

FIG. 1 is a top plan view of the foot for a work station of the subject invention;

FIG. 2 is a side view of the foot of the subject invention, the opposite side being a mirror image thereof; and,

FIG. 3 is a perspective view of the foot of the subject invention.

**1 Claim, 1 Drawing Sheet**



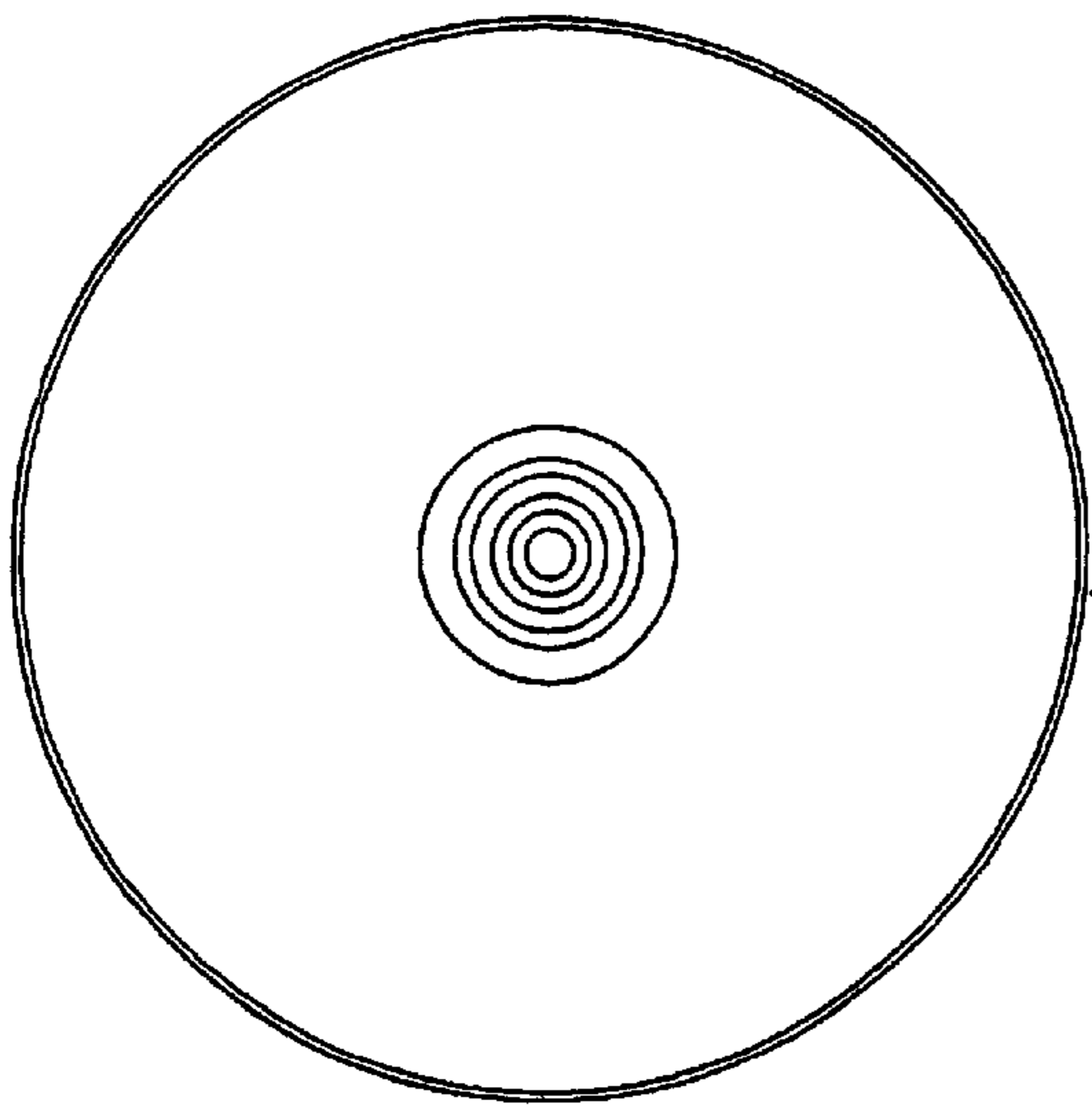


FIGURE 1

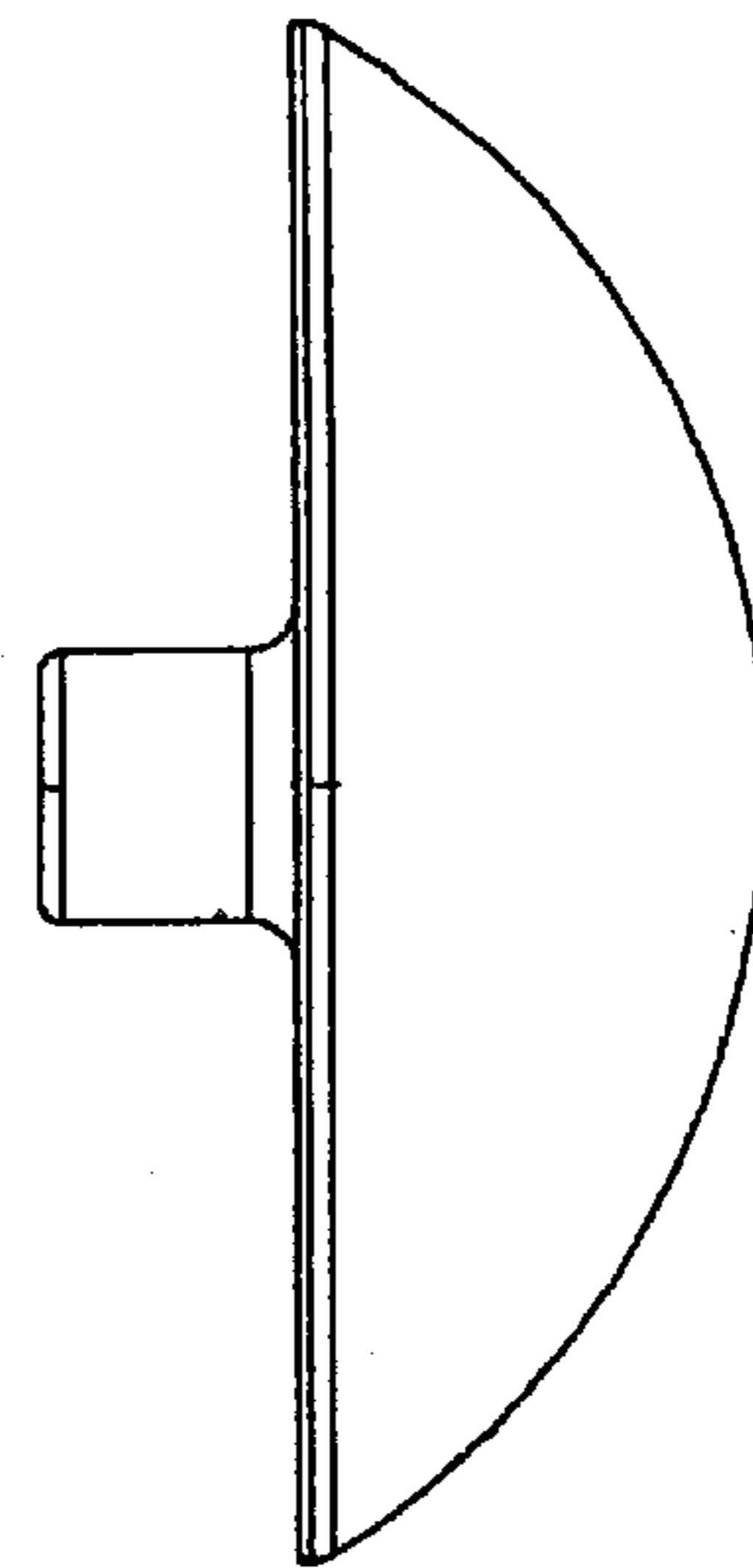


FIGURE 2

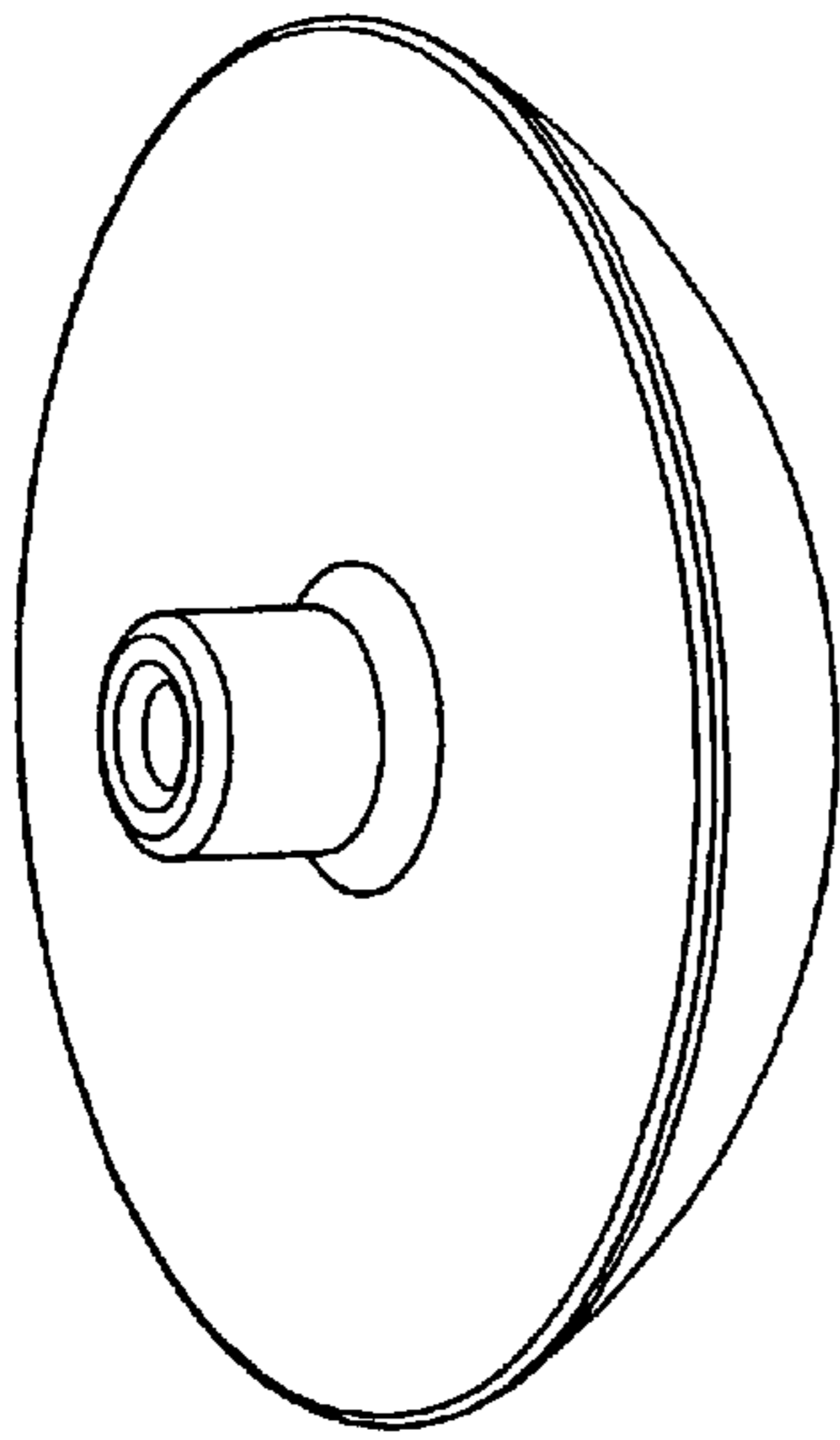


FIGURE 3