



US00D469991S

(12) **United States Design Patent**
Stanton

(10) **Patent No.:** **US D469,991 S**

(45) **Date of Patent:** **** Feb. 11, 2003**

(54) **TABLE**

(75) Inventor: **Shawn C. Stanton**, High Point, NC (US)

(73) Assignee: **Thomasville Furniture Industries, Inc.**, Thomasville, NC (US)

(**) Term: **14 Years**

(21) Appl. No.: **29/159,230**

(22) Filed: **Apr. 17, 2002**

(51) **LOC (7) Cl.** **06-03**

(52) **U.S. Cl.** **D6/486**

(58) **Field of Search** D6/480-489, 495, D6/496, 511; 108/150, 153.1, 155, 156, 157.1, 161; 248/188, 188.1, 188.8

(56) **References Cited**

U.S. PATENT DOCUMENTS

| | | | | | |
|------------|---|---------|-------------|-------|----------|
| 842,528 A | * | 1/1907 | Danver | | 108/150 |
| D241,387 S | * | 9/1976 | Perl et al. | | D6/486 |
| D330,943 S | * | 11/1992 | Masch | | D6/486 X |
| D441,225 S | * | 5/2001 | Vaaler | | D6/486 |
| D461,656 S | * | 8/2002 | Stanton | | D6/488 |

OTHER PUBLICATIONS

American of Martinsville, table.*
Photo of Antique Table, taken in New York, source and date unknown, available as of filing date.

A George IV Mahogany Wine Cooler, p. 50 of unknown source, date unknown, available as of filing date.

Photo of Table, taken in Boyles Showroom, date unknown, available as of filing date.

Photo of Table, taken in Boyles Showroom, taken Feb. 1, 2001.

Oval End Table, British Gentry Collection brochure, Thomasville Furniture Industries, Inc., p. 18, 2000.

Pie Crust Table, Collector's Cherry Collection brochure, Thomasville Furniture Industries, Inc., p. 40, available as of filing date..

* cited by examiner

Primary Examiner—Janice E. Seeger

(74) *Attorney, Agent, or Firm*—Womble Carlyle Sandridge & Rice, PLLC

(57) **CLAIM**

The ornamental design for a table, as shown and described.

DESCRIPTION

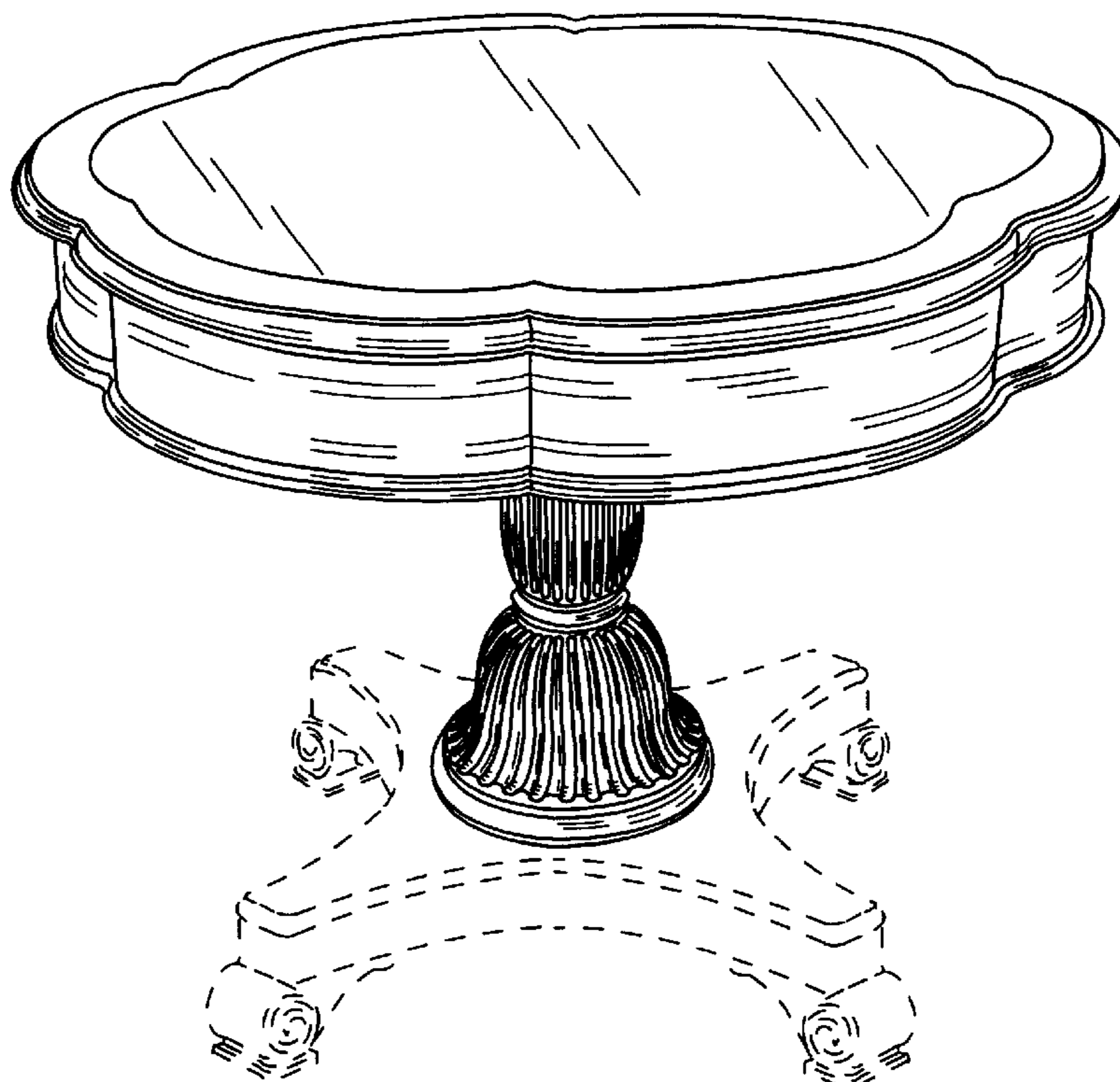
FIG. 1 is a perspective view of a table showing my new design;

FIG. 2 is a side elevational view, the opposite side being a mirror image thereof; and,

FIG. 3 is a top view thereof.

The views of the table not shown form no part of the claimed design. The dashed lines depicting feet and pedestal base represent environmental elements only and form no part of the claimed design.

1 Claim, 2 Drawing Sheets



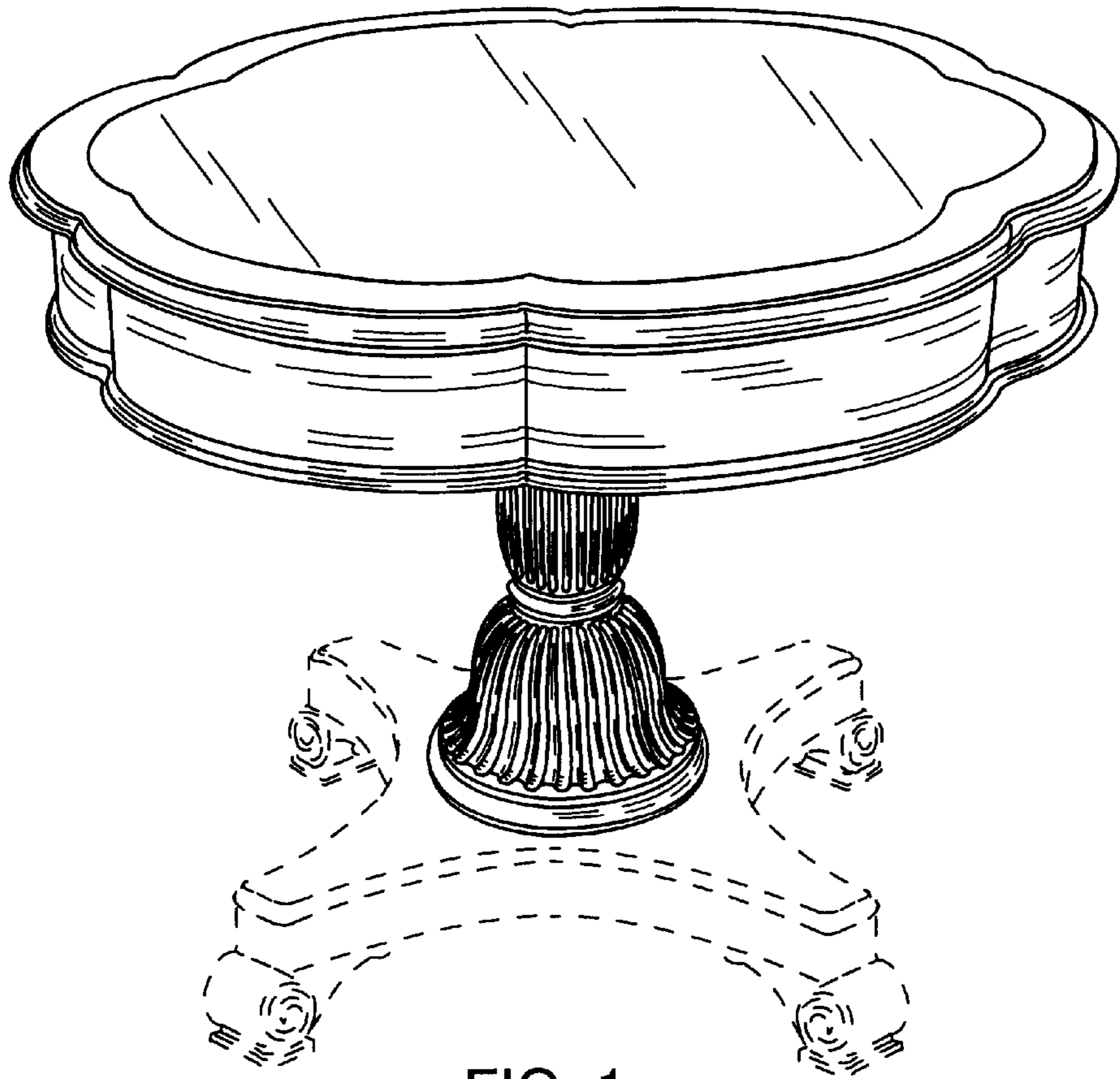


FIG. 1

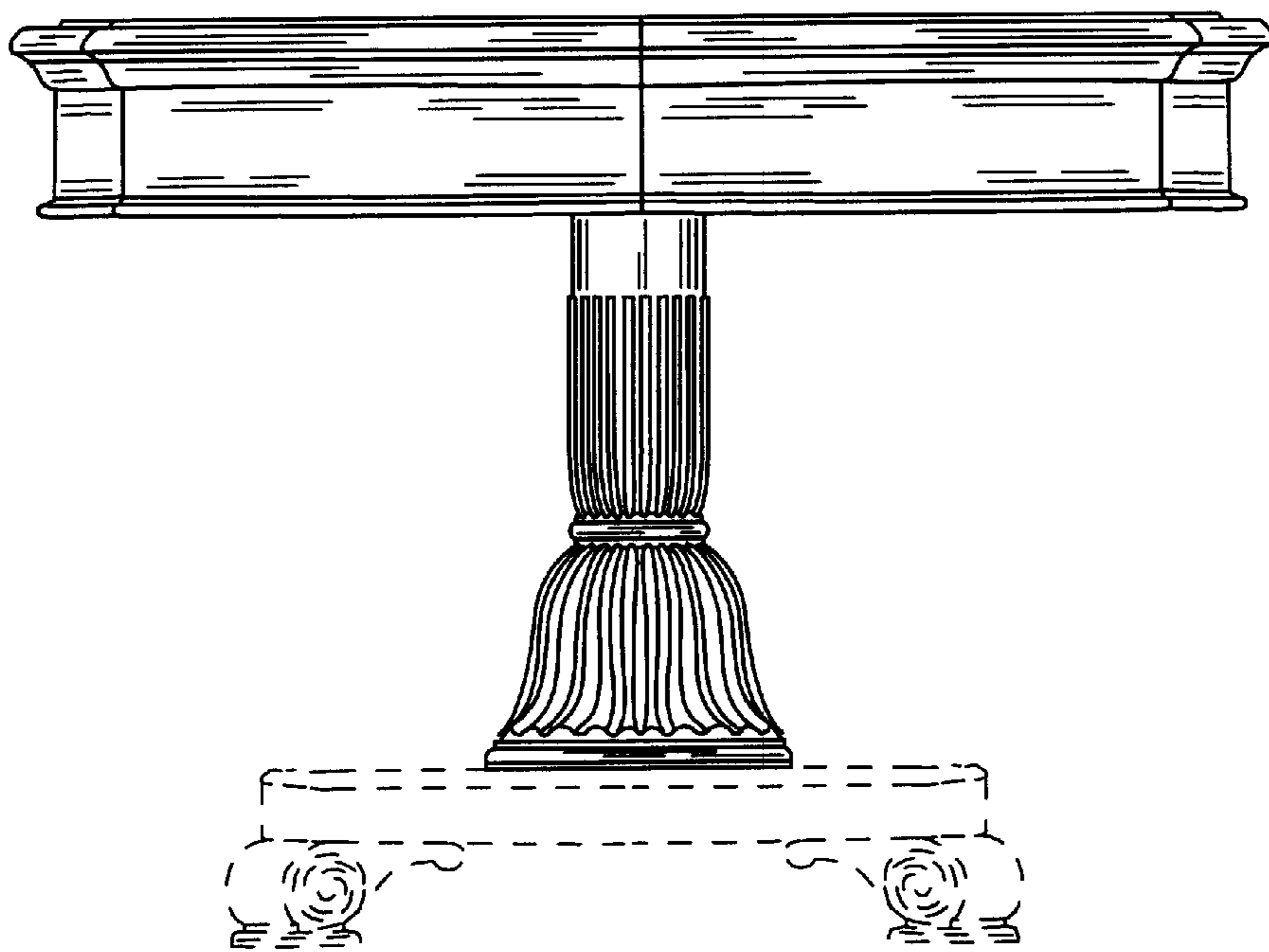


FIG. 2

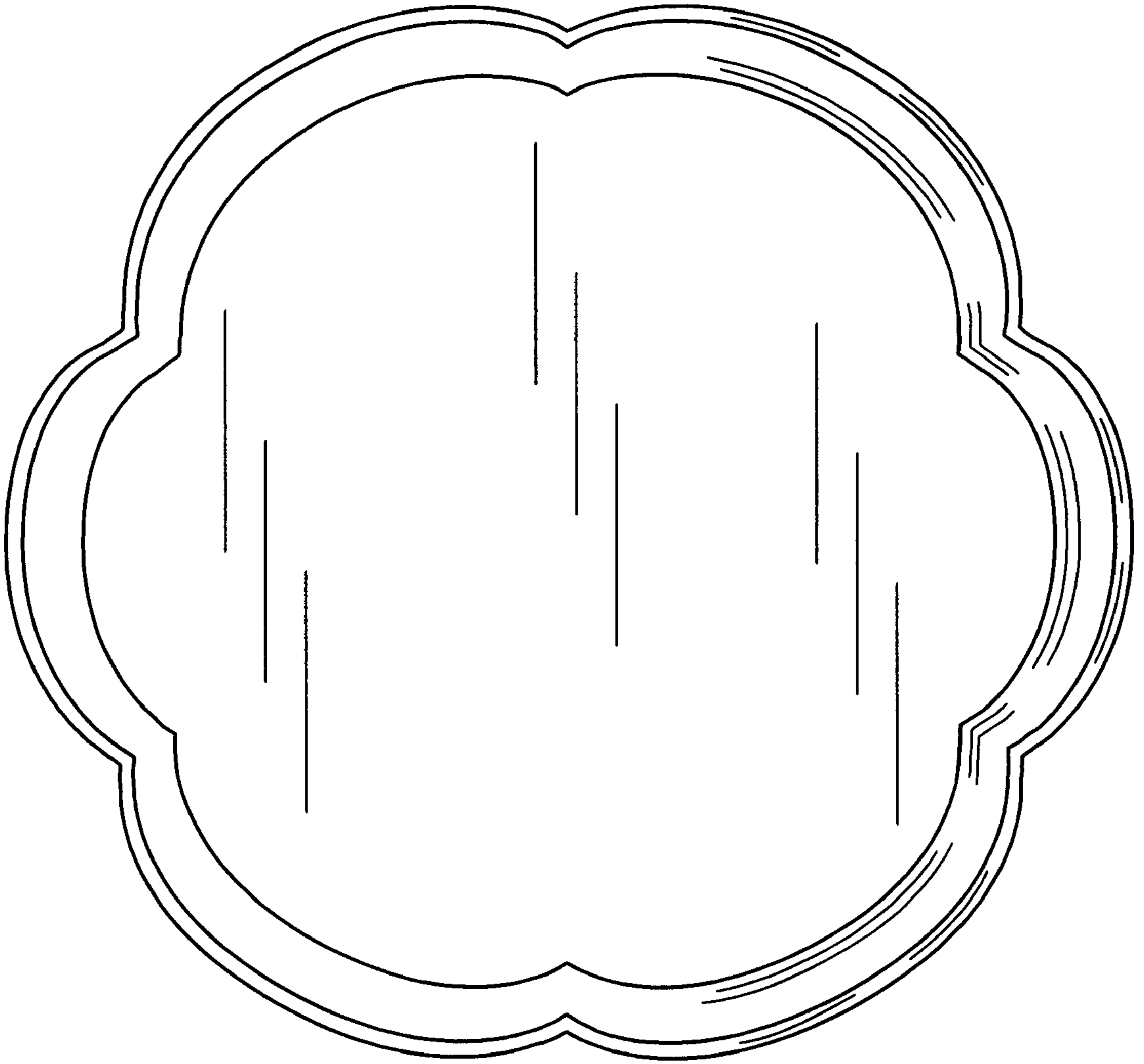


FIG. 3