



US00D46990S

(12) **United States Design Patent**
Muller

(10) **Patent No.:** **US D469,990 S**

(45) **Date of Patent:** **** Feb. 11, 2003**

(54) **DINING TABLE**

(75) **Inventor:** **Carl Muller**, Huntington Beach, CA
(US)

(73) **Assignee:** **Elite Manufacturing Corporation**,
Santa Fe Springs, CA (US)

(**) **Term:** **14 Years**

(21) **Appl. No.:** **29/159,004**

(22) **Filed:** **Apr. 13, 2002**

(51) **LOC (7) Cl.** **06-03**

(52) **U.S. Cl.** **D6/486**

(58) **Field of Search** D6/480-489, 495,
D6/511, 436; 108/150, 153.1, 155, 156,
157.1, 161; 248/188, 188.1, 188.8

(56) **References Cited**

U.S. PATENT DOCUMENTS

D222,589 S * 11/1971 Leaver D6/486

D225,598 S * 12/1972 Leaver D6/486

D338,359 S * 8/1993 Sorenson D6/486

D408,177 S * 4/1999 Stout D6/480

* cited by examiner

Primary Examiner—Janice E. Seeger

(74) *Attorney, Agent, or Firm*—George W. Finch

(57) **CLAIM**

The ornamental design for a dining table, as shown and described.

DESCRIPTION

FIG. 1 is a perspective view showing the front side, left side, and top of the ornamental design;

FIG. 2 is a front elevational view of the same, which is identical to the back view thereof;

FIG. 3 is a right side view of the same, which is identical to left side view of the same;

FIG. 4 is a top plan view of the same; and,

FIG. 5 is an underside view of the same.

1 Claim, 4 Drawing Sheets

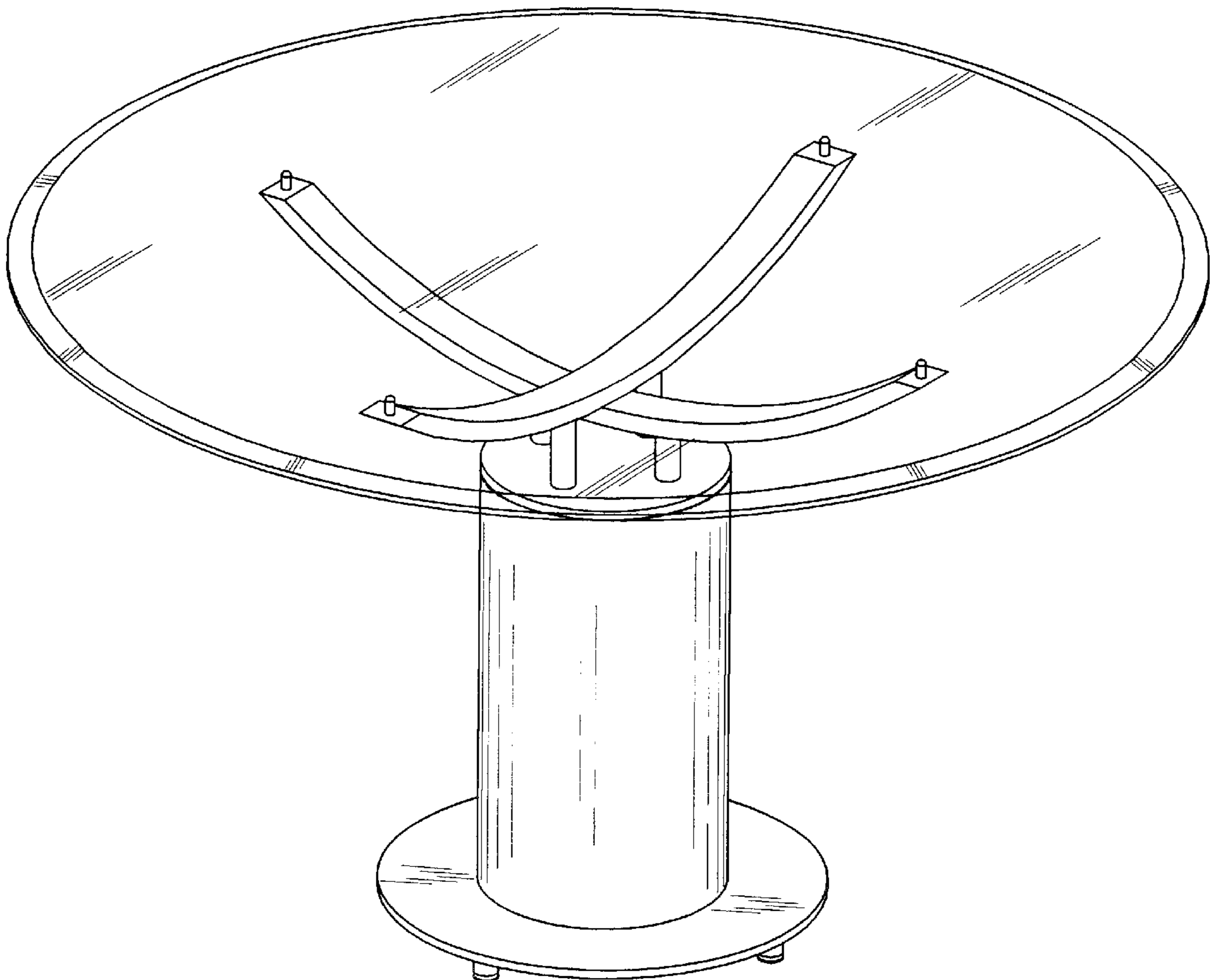


Fig. 1

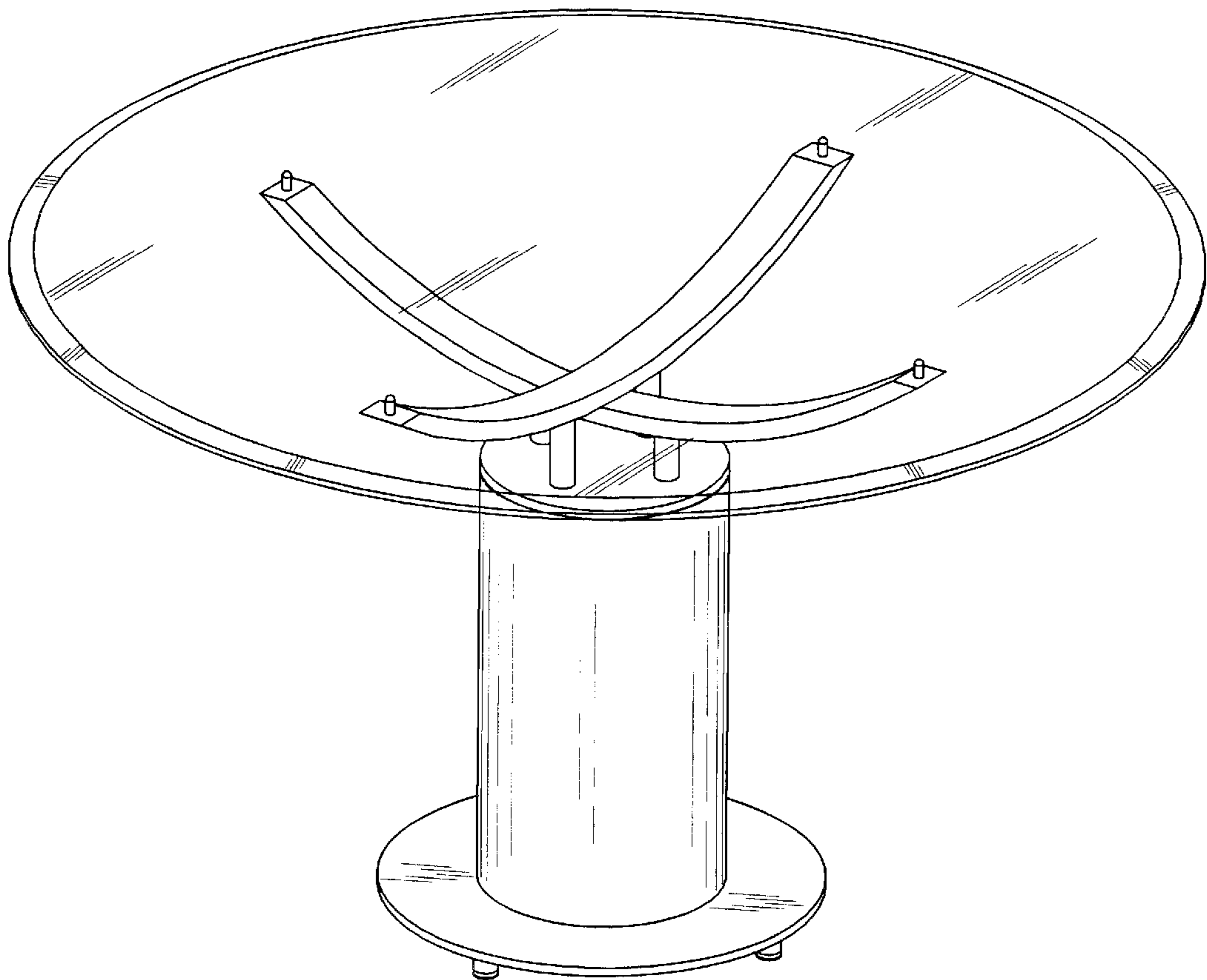


Fig. 2

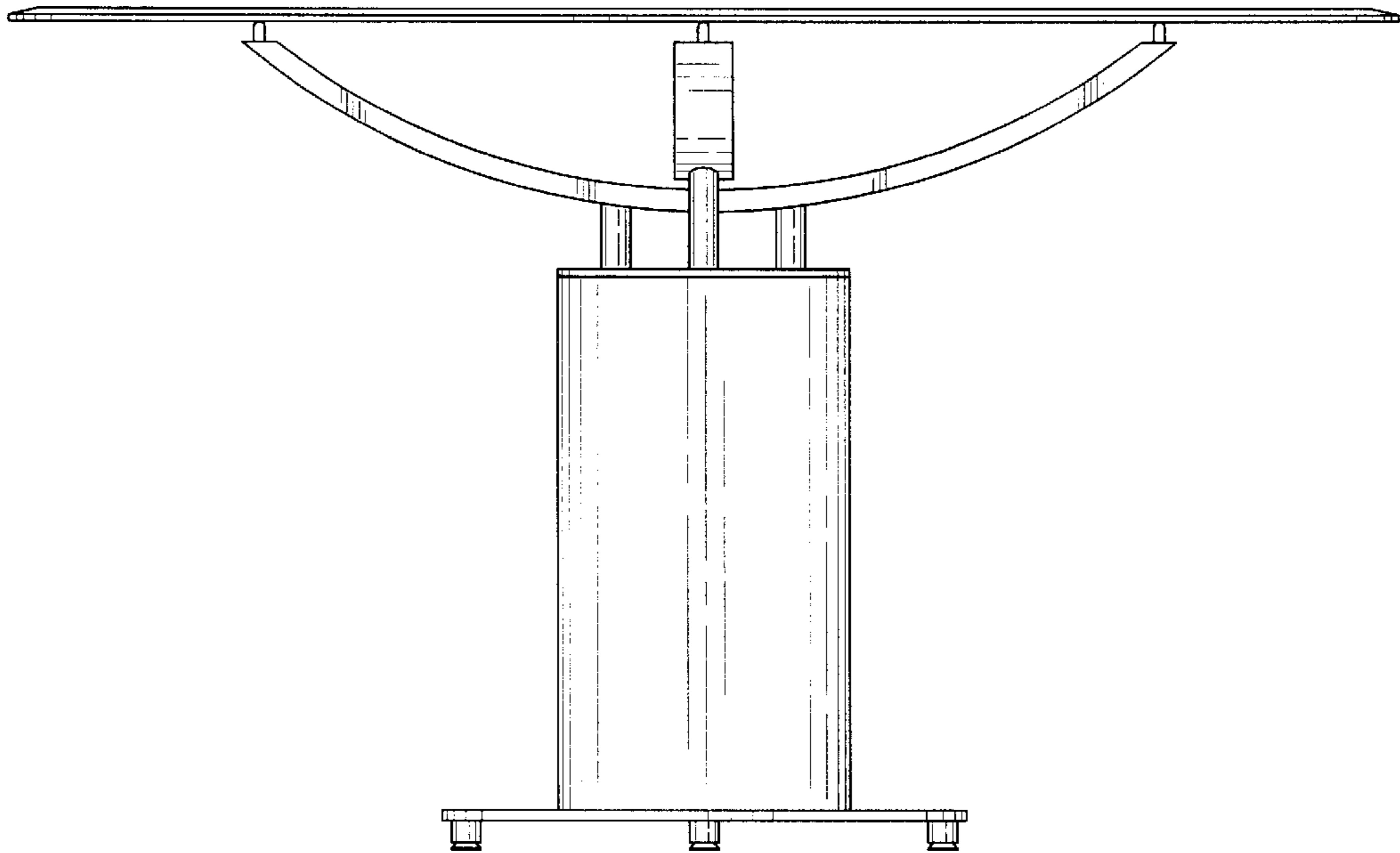


Fig. 3

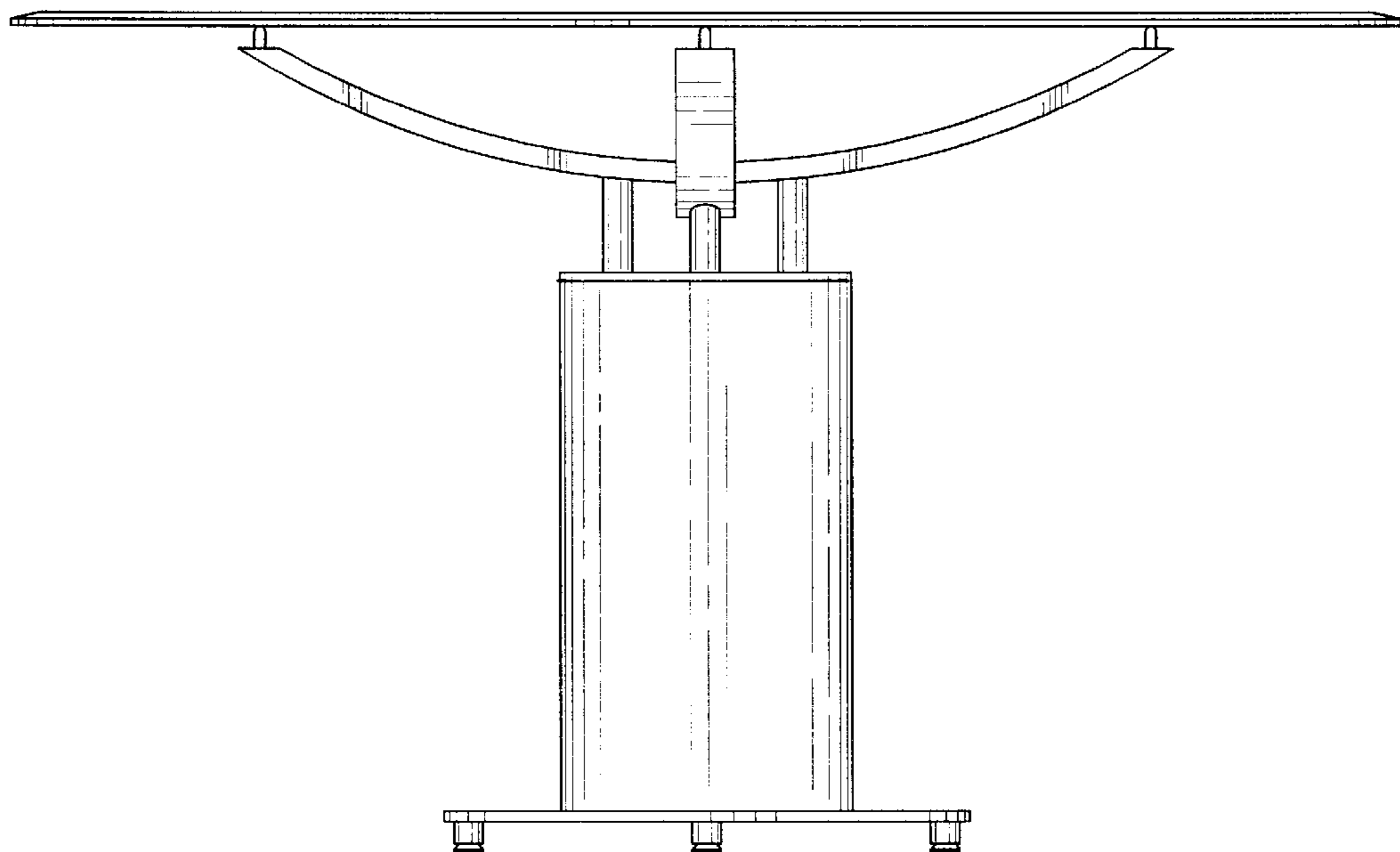


Fig. 4

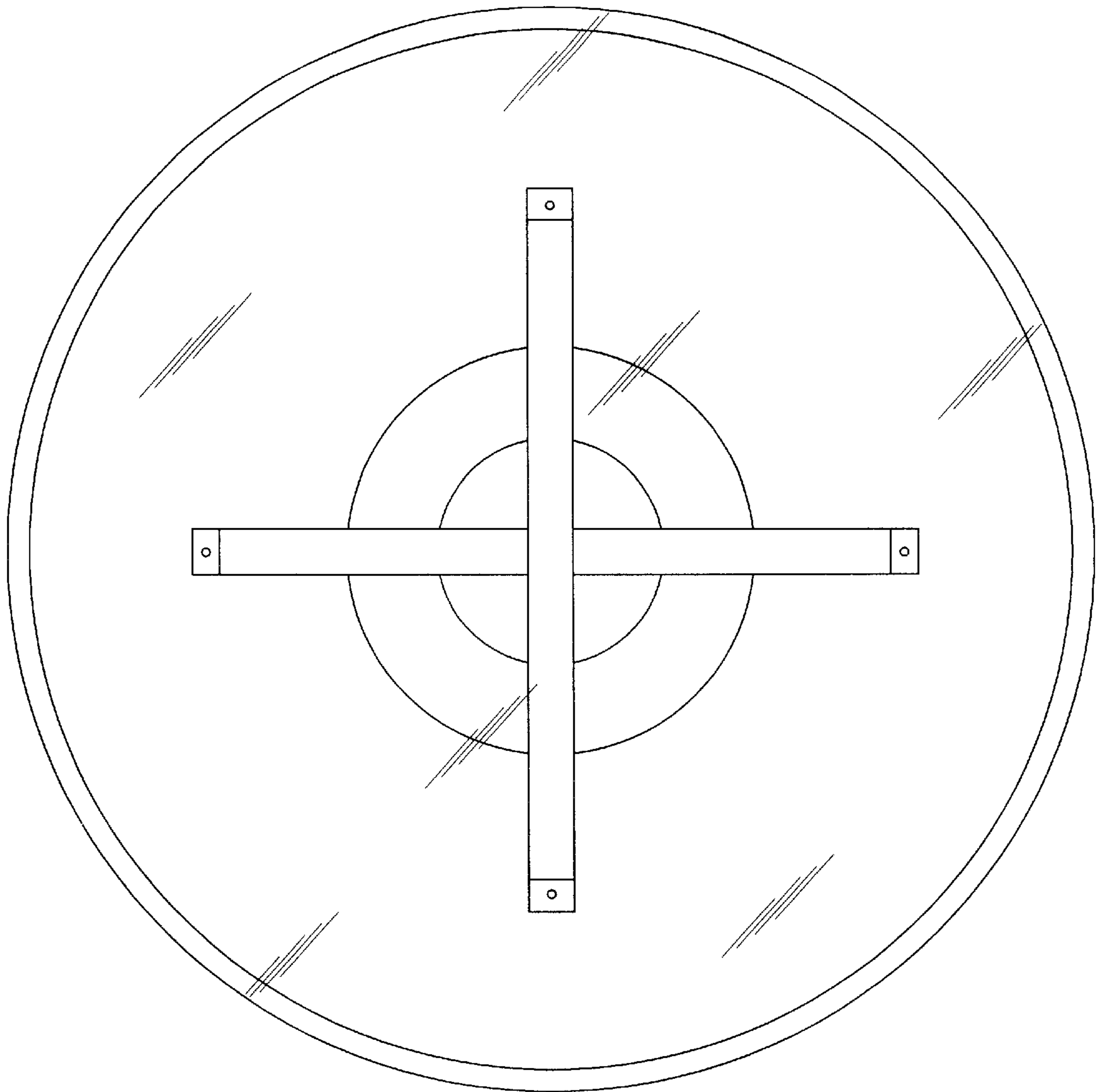


Fig. 5

