



US00D469988S

(12) **United States Design Patent**
Stanton

(10) **Patent No.:** **US D469,988 S**

(45) **Date of Patent:** **** Feb. 11, 2003**

(54) **TABLE**

(75) Inventor: **Shawn C. Stanton**, High Point, NC (US)

(73) Assignee: **Thomasville Furniture Industries, Inc.**, Thomasville, NC (US)

(**) Term: **14 Years**

(21) Appl. No.: **29/159,227**

(22) Filed: **Apr. 17, 2002**

(51) **LOC (7) Cl.** **06-06**

(52) **U.S. Cl.** **D6/480; D6/432; D6/441**

(58) **Field of Search** D6/480-489, 511, D6/491, 432, 436, 441; 108/150, 153.1, 155, 156, 157.1, 161; 248/188, 188.1, 188.8

(56) **References Cited**

U.S. PATENT DOCUMENTS

D326,575 S * 6/1992 Grosfillex D6/484
D460,292 S * 7/2002 Keller D6/441

OTHER PUBLICATIONS

Imperial Tables, 1957-58, p. 22, #11310 table at top right.*
End Table, Bridgehampton Collection brochure, Thomasville Furniture Industries, Inc., p. 10, 2001.

End Table, Villa Capri Collection brochure, Thomasville Furniture Industries, Inc., p. 17, date unknown, available as of filing date.

Rectangular End Table, Mahogany Collection brochure, Thomasville Furniture Industries, Inc., p. 13, 1999.

* cited by examiner

Primary Examiner—Janice E. Seeger

(74) *Attorney, Agent, or Firm*—Womble Carlyle Sandridge & Rice, PLLC

(57) **CLAIM**

The ornamental design for a table, as shown and described.

DESCRIPTION

FIG. 1 is a left front perspective view of a table showing my new design;

FIG. 2 is a side elevational view, the opposite side being a mirror image thereof;

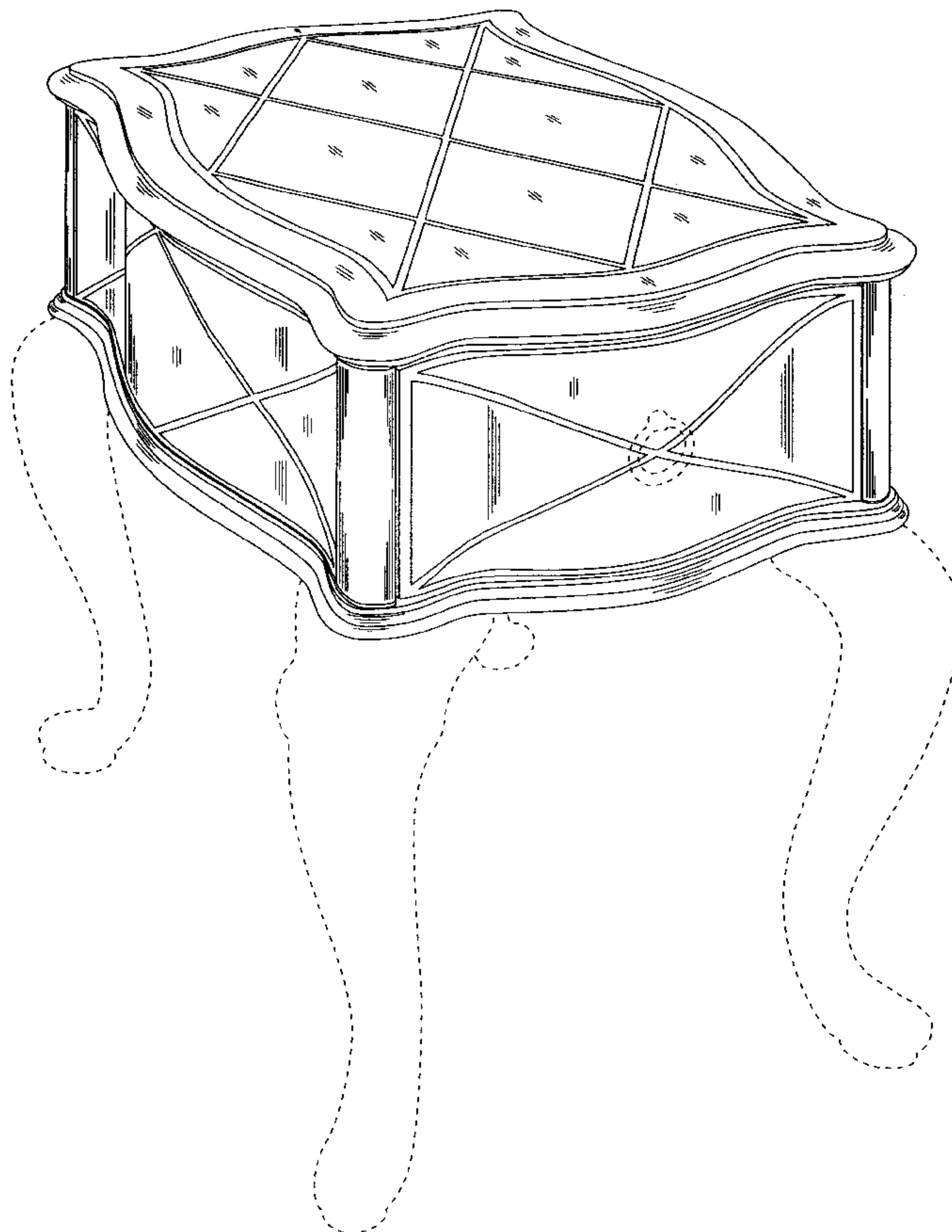
FIG. 3 is a front elevational view thereof;

FIG. 4 is a rear elevational view thereof; and,

FIG. 5 is a top view thereof.

The views of the table not shown form no part of the claimed design. The dashed lines depicting furniture legs and hardware represent environmental elements only and form no part of the claimed design.

1 Claim, 5 Drawing Sheets



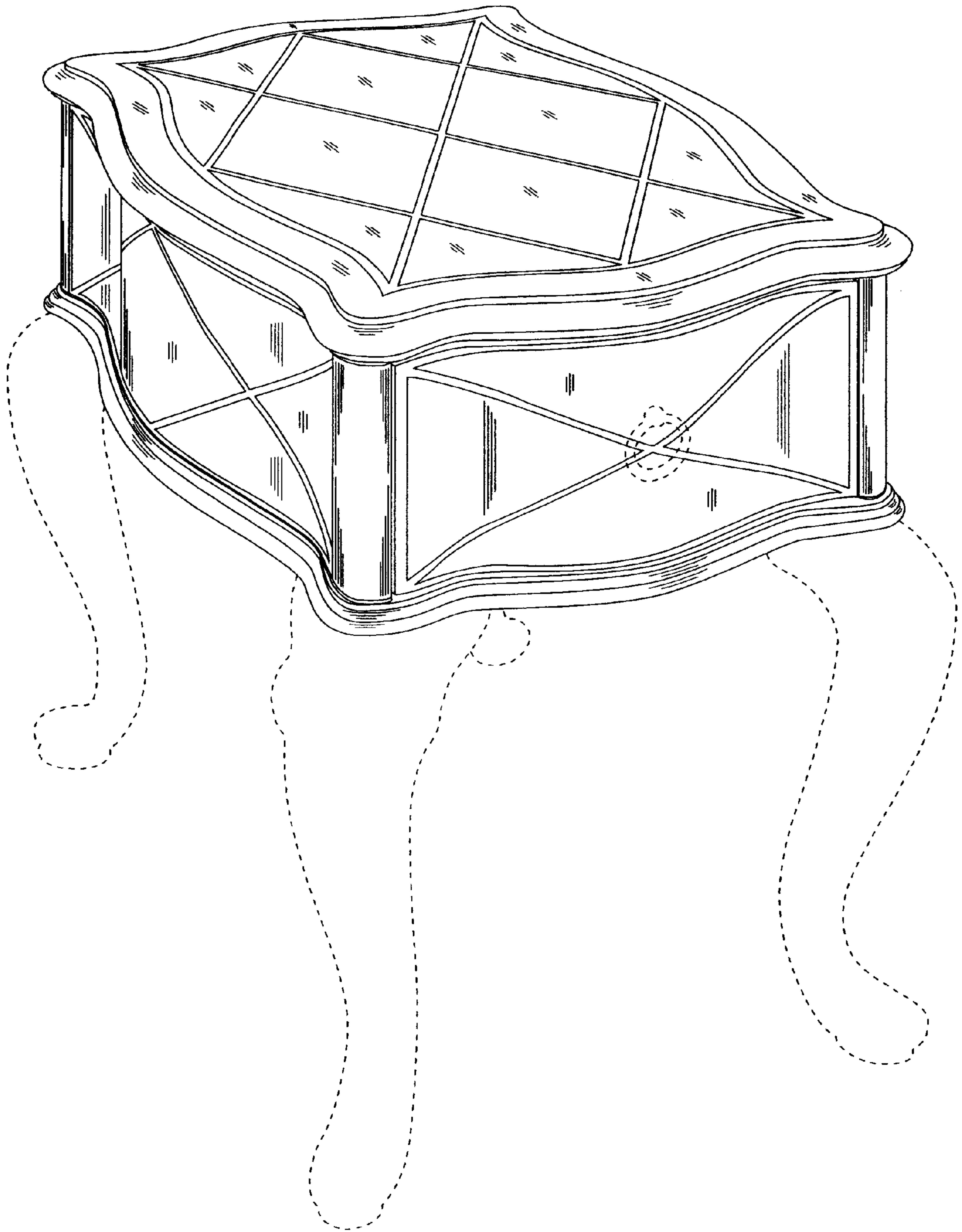


FIG. 1

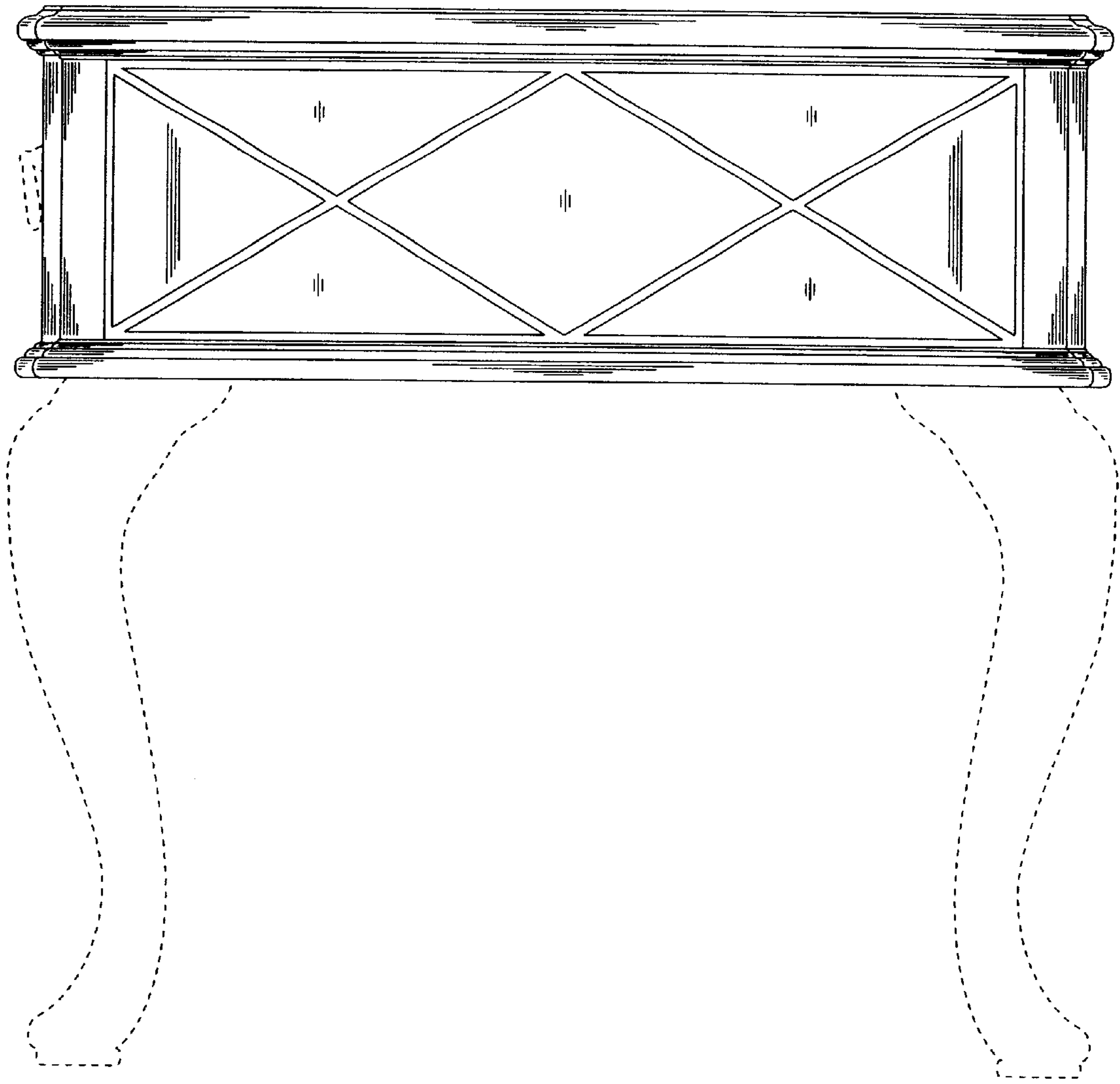


FIG. 2

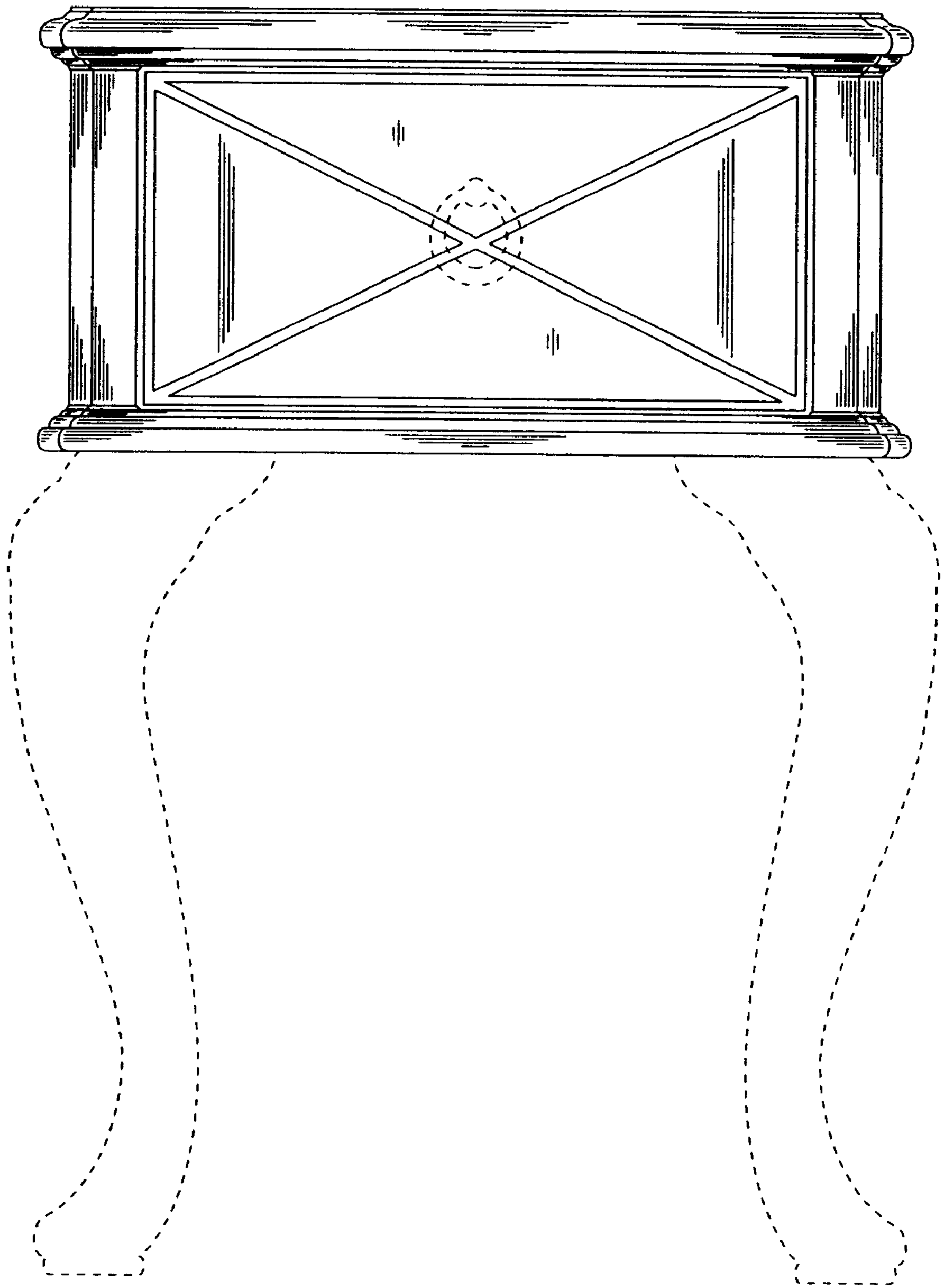


FIG. 3

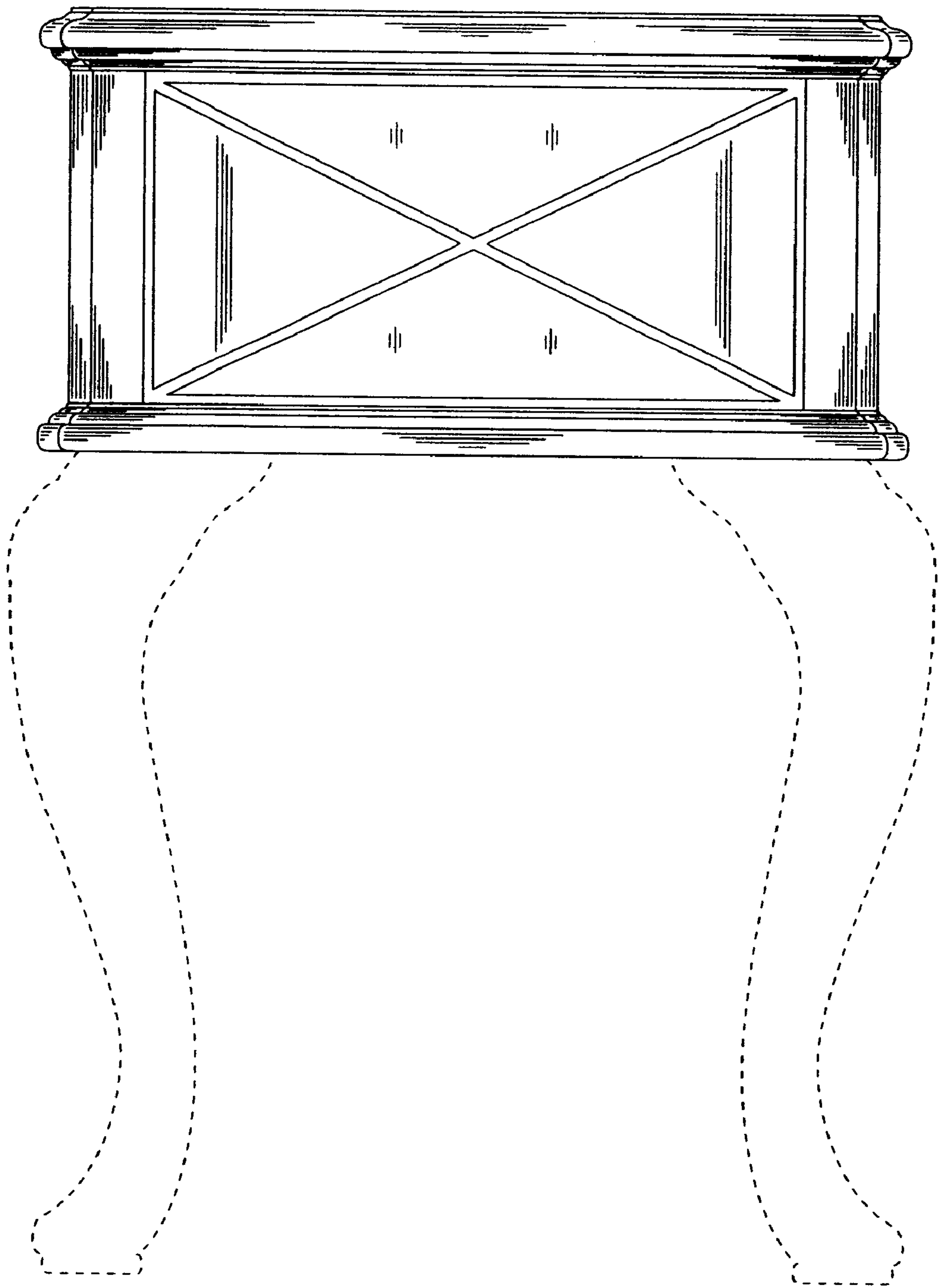


FIG. 4

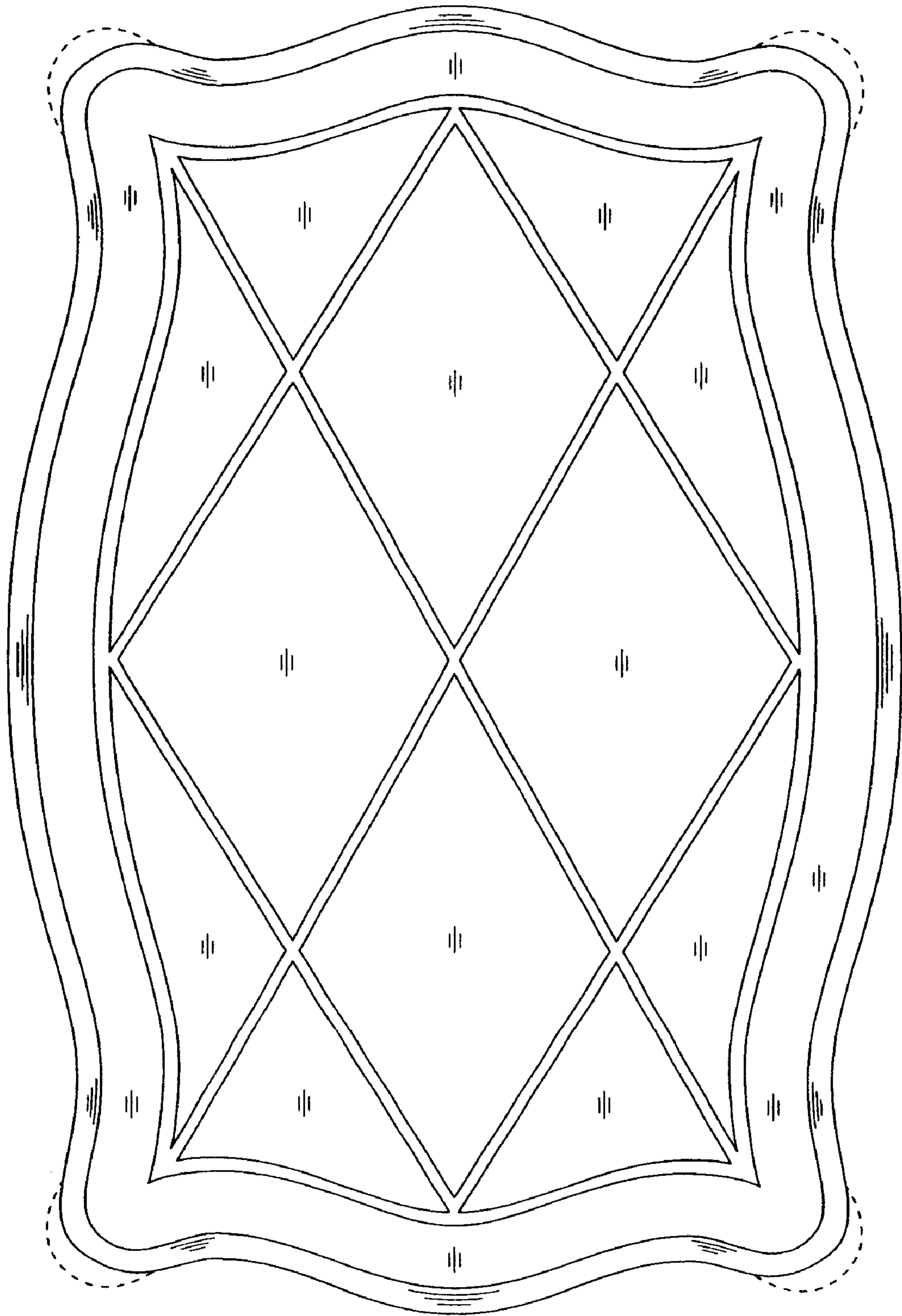


FIG. 5