



US00D469985S

(12) **United States Design Patent**
Pryor

(10) **Patent No.:** **US D469,985 S**

(45) **Date of Patent:** **** Feb. 11, 2003**

(54) **STORAGE RACK**

(76) Inventor: **Nicholas Pryor**, P.O. Box 849,
Hampstead, NC (US) 28443-0849

(**) Term: **14 Years**

(21) Appl. No.: **29/155,881**

(22) Filed: **Feb. 21, 2002**

(51) **LOC (7) Cl.** **06-04**

(52) **U.S. Cl.** **D6/464**

(58) **Field of Search** D6/436, 437, 411,
D6/455, 457-469; 108/59, 91, 92, 149,
107, 181; 211/13.1, 85.2, 78, 85.26, 205,
181.1, 182, 189, 34, 37, 186, 187, 133.2

(56) **References Cited**

U.S. PATENT DOCUMENTS

2,743,020	A	*	4/1956	Rubenstein	211/181.1	X
4,177,903	A	*	12/1979	Edelson et al.	211/89.01	X
D283,570	S	*	4/1986	Penner	D6/464	
4,697,713	A	*	10/1987	Pryor	211/189	
D324,139	S	*	2/1992	Frazier	D6/411	
D343,075	S	*	1/1994	Cappel, III	D6/462	
5,435,295	A	*	7/1995	Gerrard	211/181.1	X
D446,968	S	*	8/2001	Spencer	D6/462	

* cited by examiner

Primary Examiner—Cathron C. Brooks

(74) *Attorney, Agent, or Firm*—Burns Doane Swecker &
Mathis L.L.P.

(57) **CLAIM**

The ornamental design for a storage rack, as shown and described.

DESCRIPTION

FIG. 1 is a front, top perspective view of a storage rack showing a first embodiment of my new design.

FIG. 2 is a top plan view thereof.

FIG. 3 is a bottom plan view thereof.

FIG. 4 is a front elevational view thereof.

FIG. 5 is a rear elevational view thereof.

FIG. 6 is a right side elevational view thereof.

FIG. 7 is a left side elevational view thereof.

FIG. 8 is a front, top perspective view of a storage rack showing a second embodiment of my new design.

FIG. 9 is a top plan view thereof.

FIG. 10 is a bottom plan view thereof.

FIG. 11 is a front elevational view thereof.

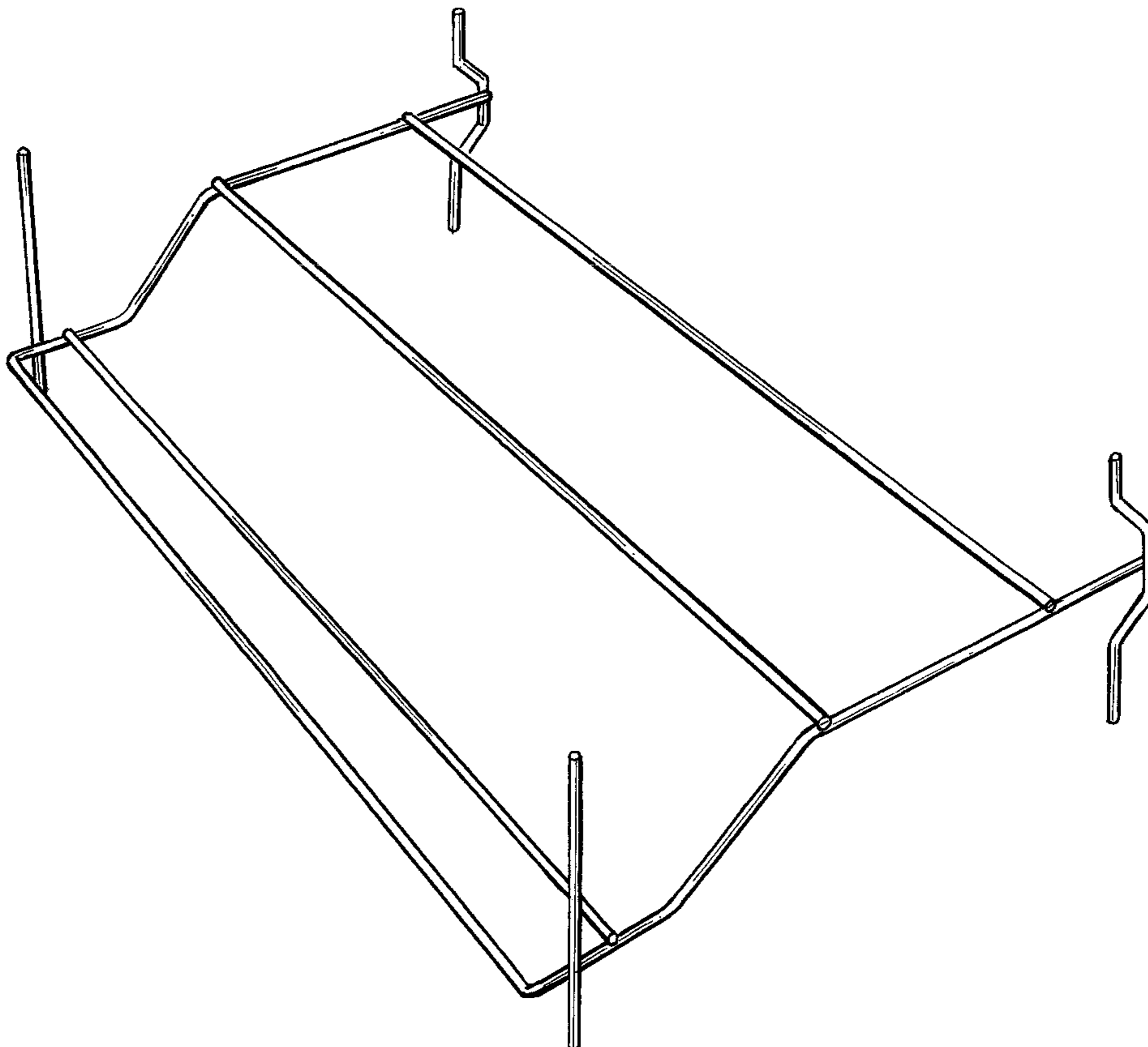
FIG. 12 is a rear elevational view thereof.

FIG. 13 is a right side elevational view thereof; and,

FIG. 14 is a left side elevational view thereof.

The broken line showing of a rod on the rear portion of the storage rack is for illustrative purposes only and forms no part of the claimed design in FIGS. 1-7.

1 Claim, 10 Drawing Sheets



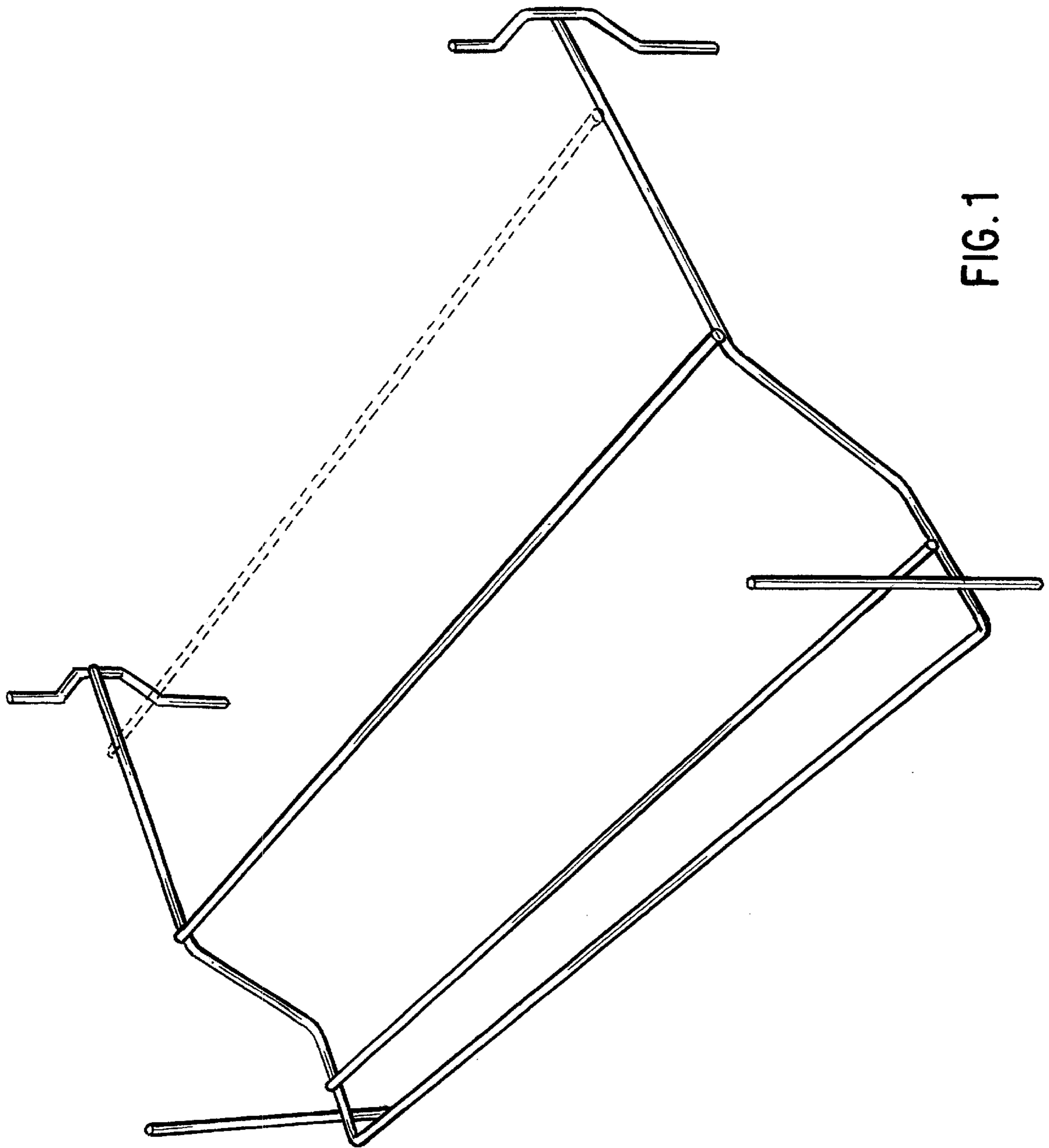


FIG. 1

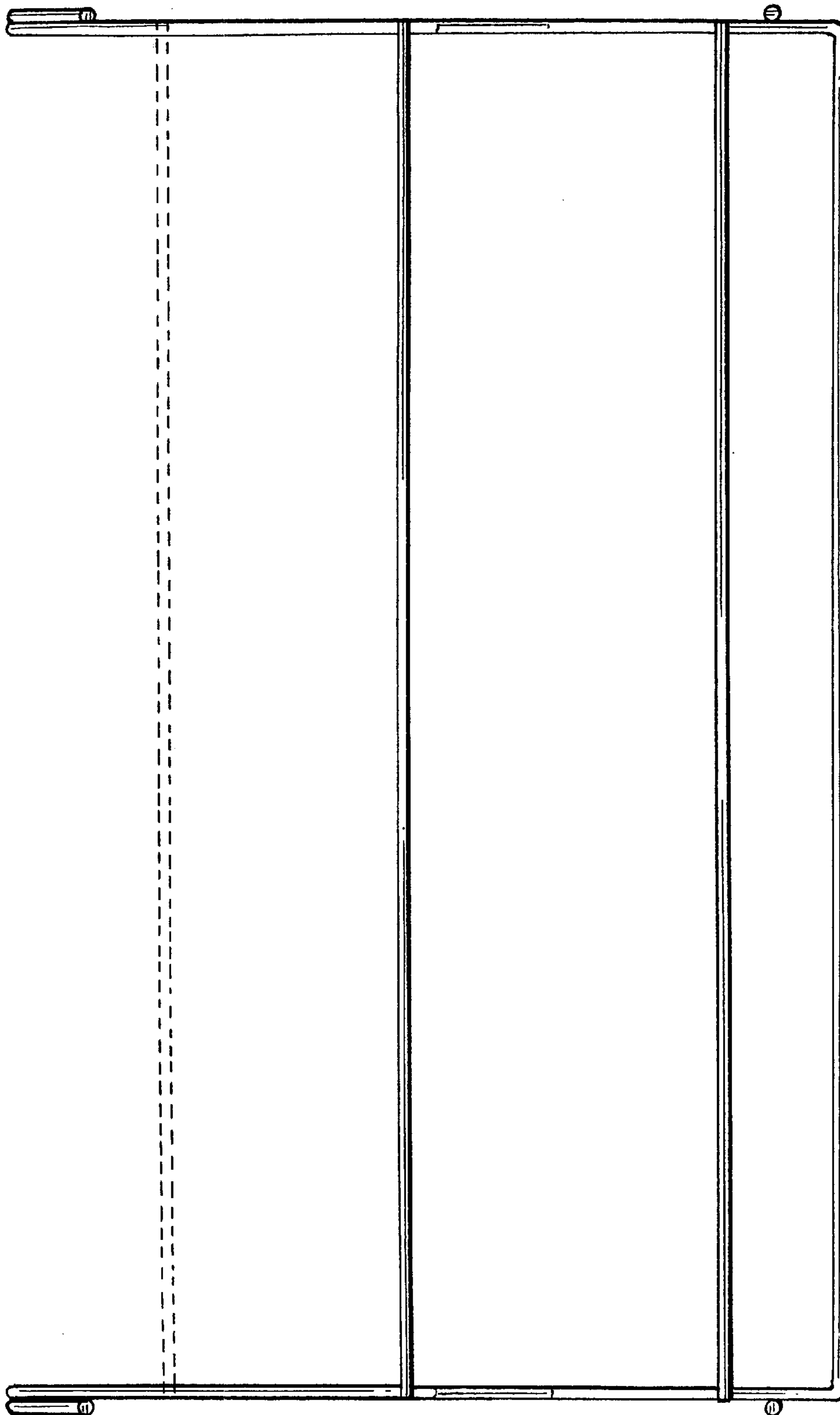


FIG. 2

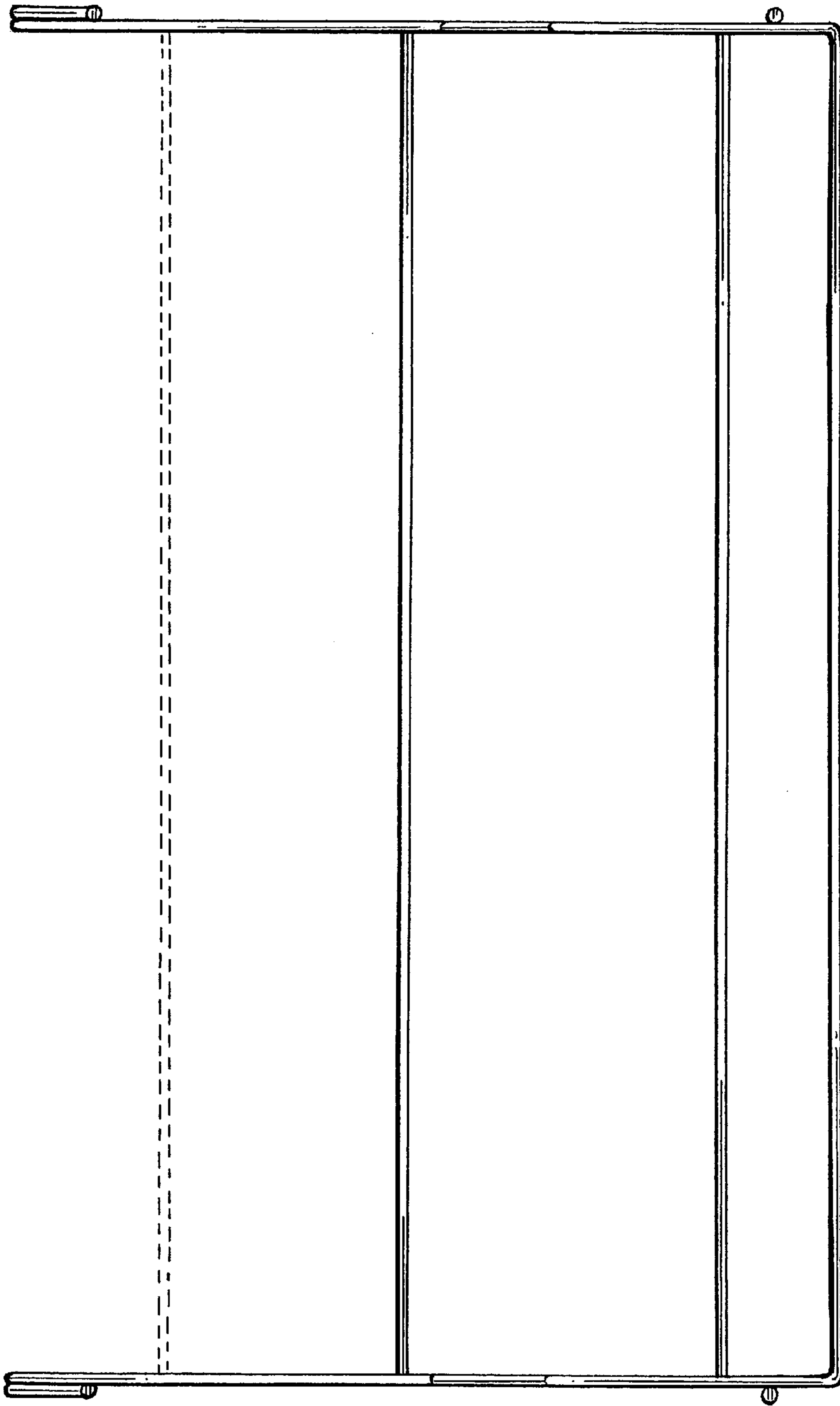


FIG. 3

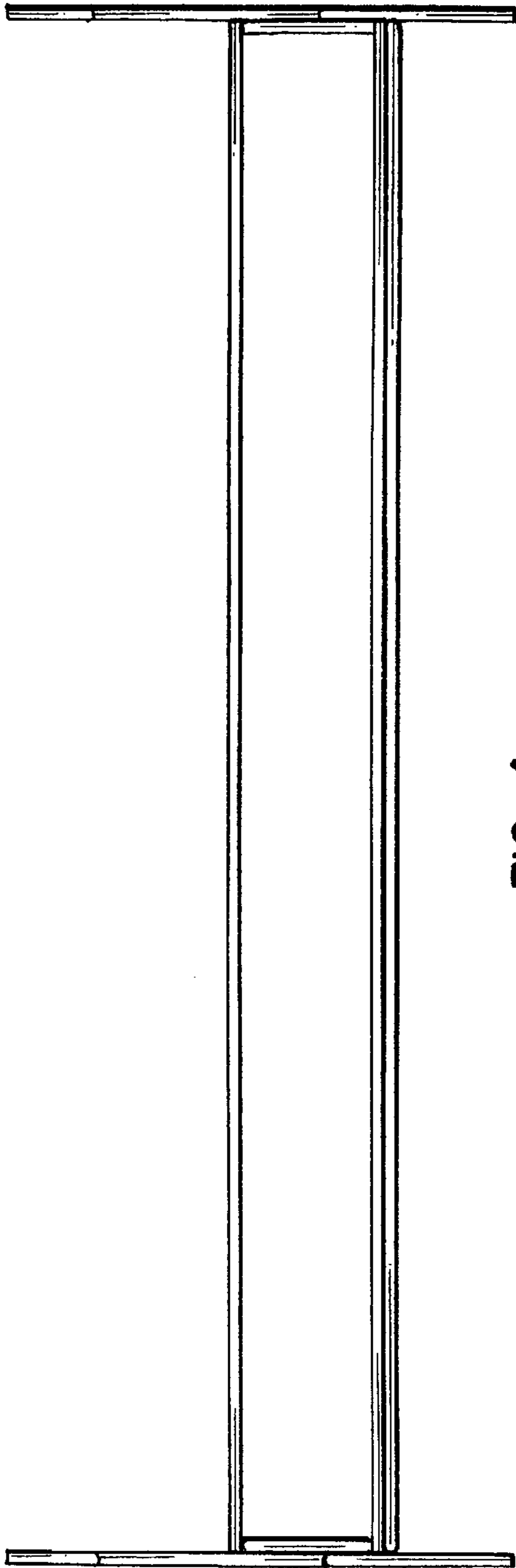


FIG. 4

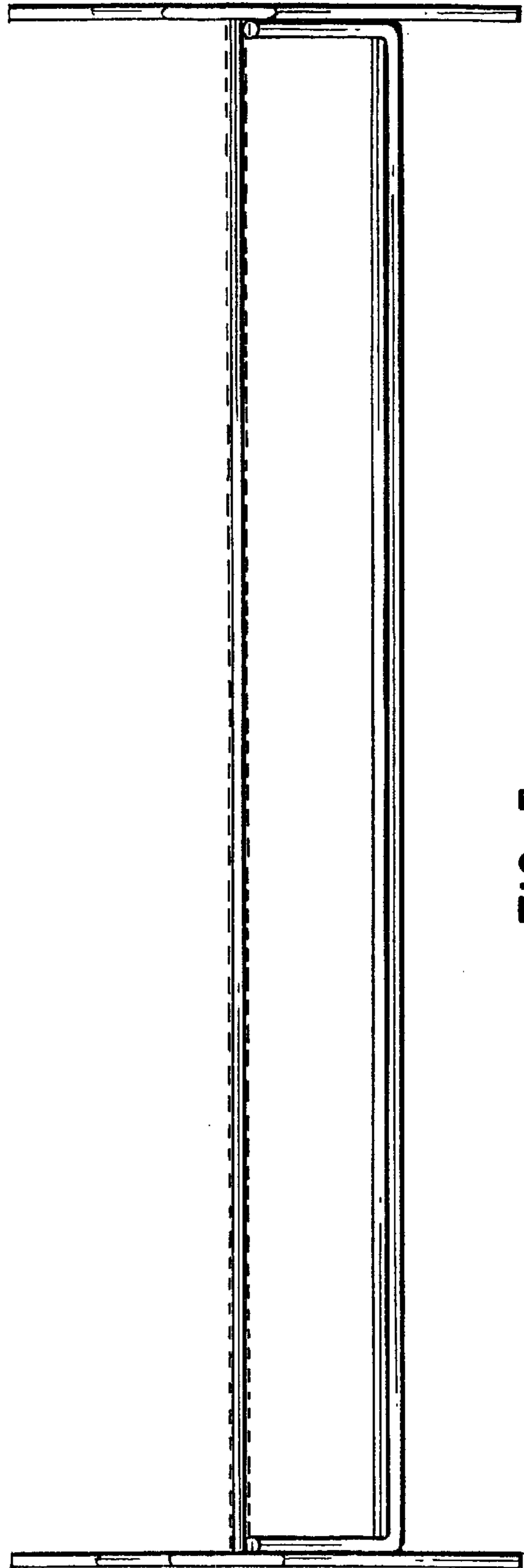


FIG. 5

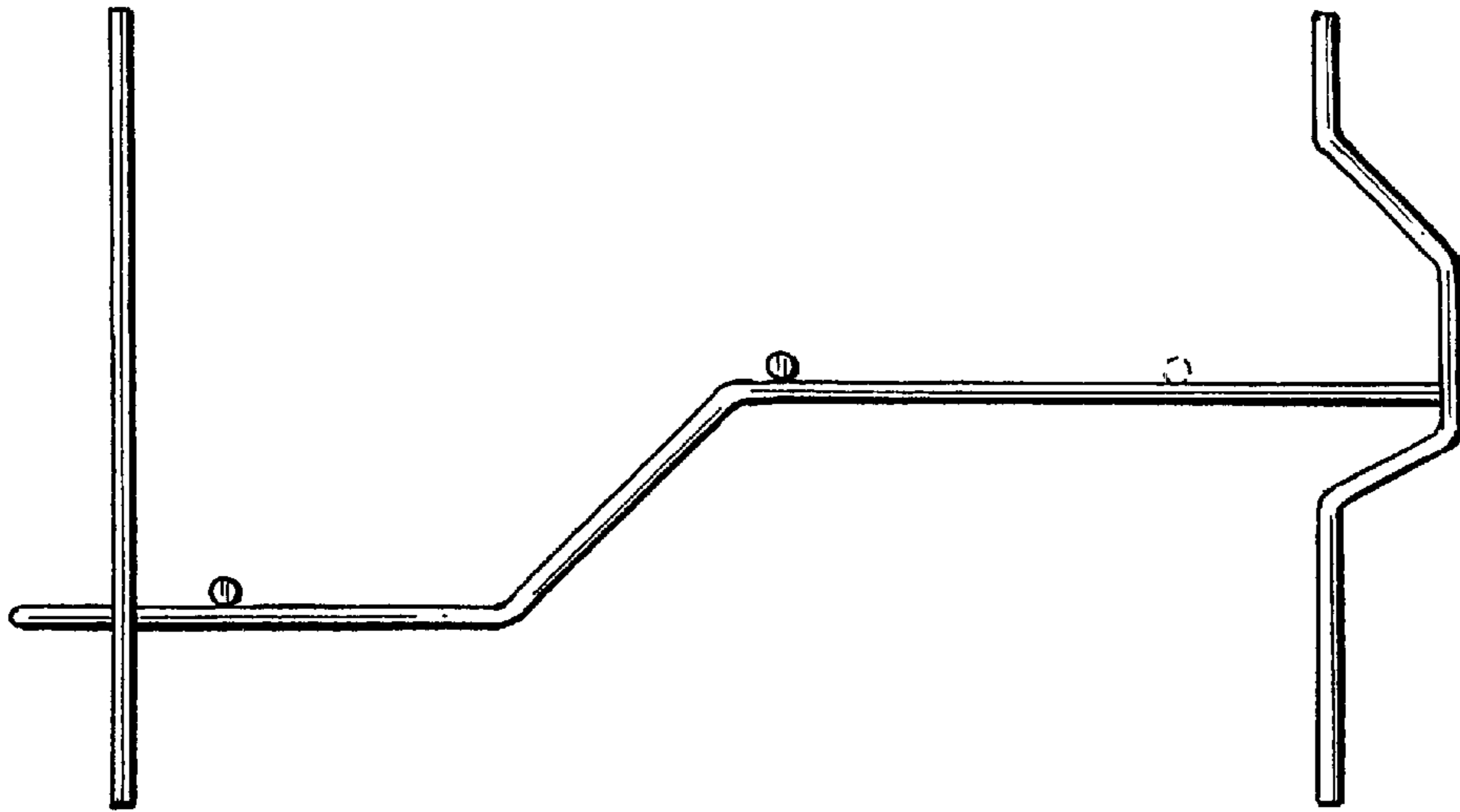


FIG. 6

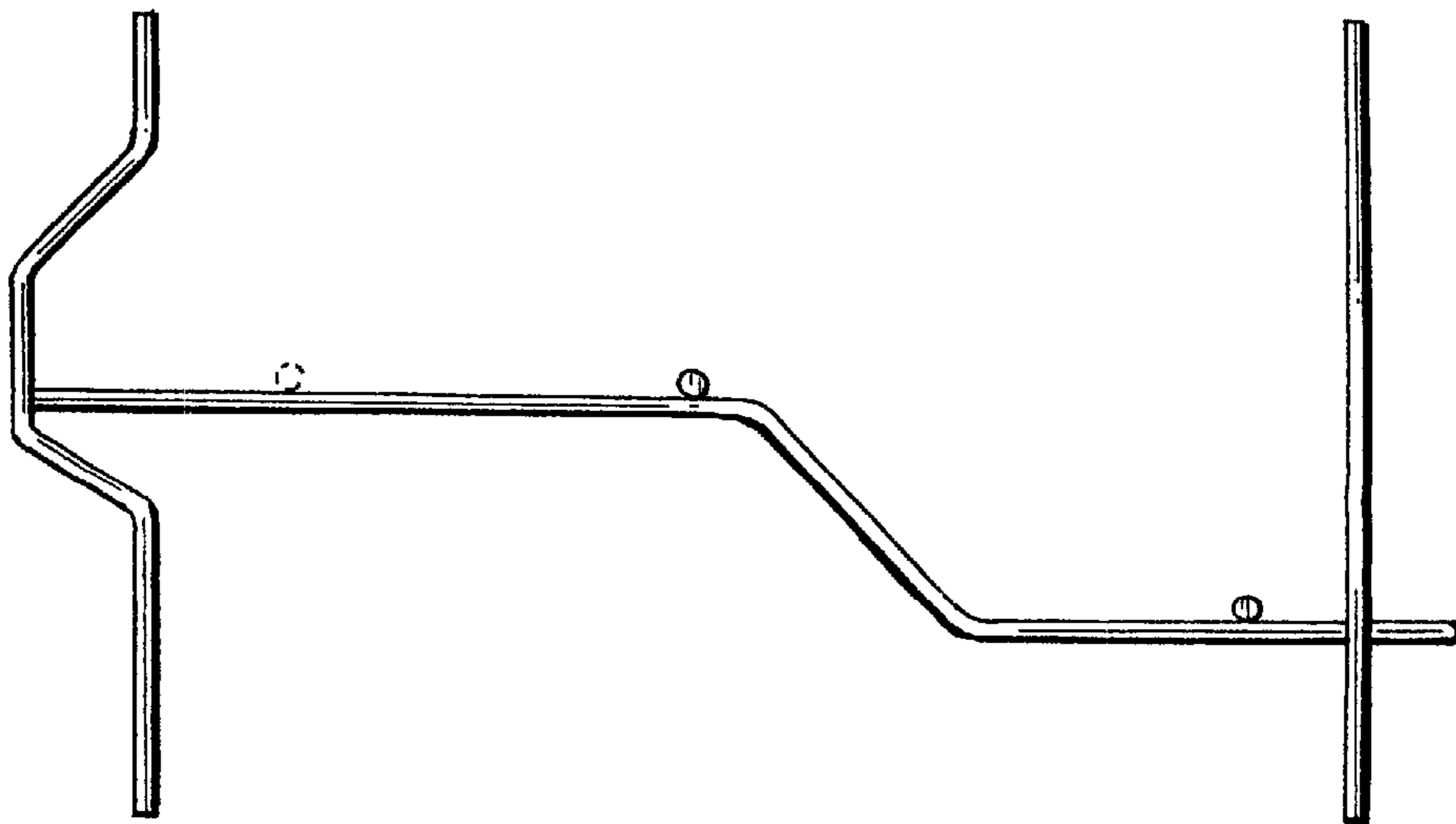


FIG. 7

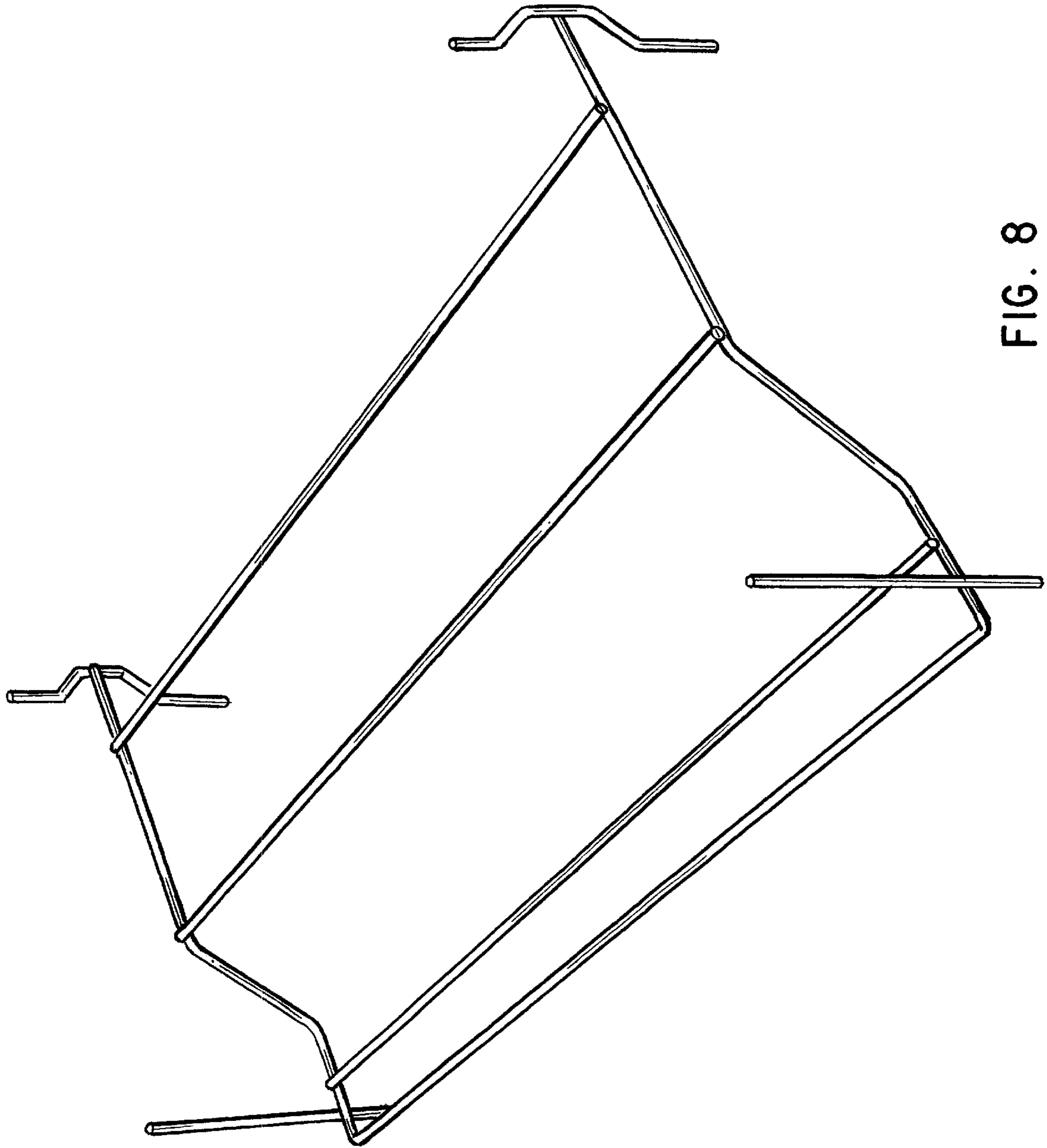


FIG. 8



FIG. 9



FIG. 10

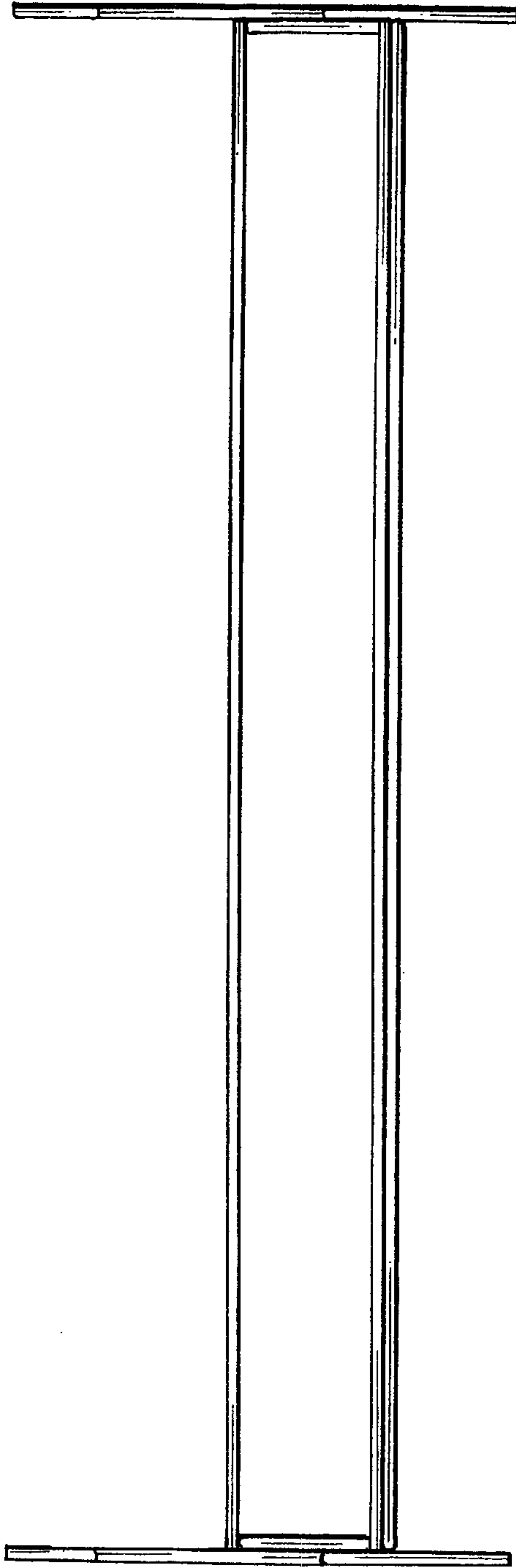


FIG. 11

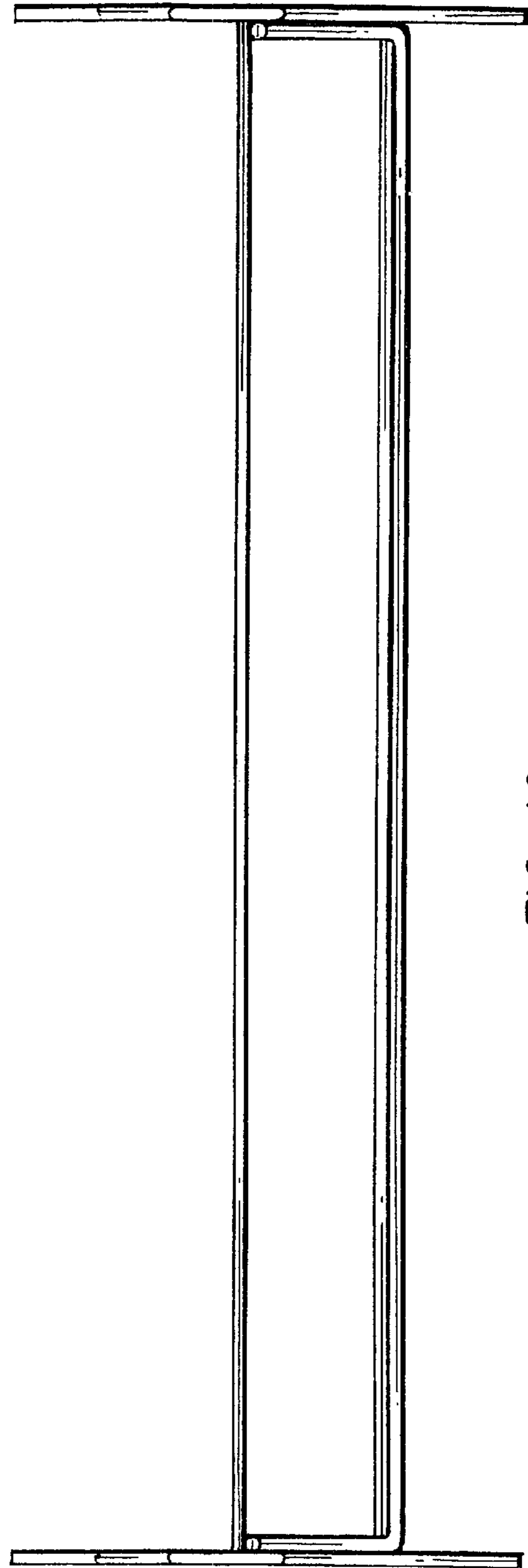


FIG. 12

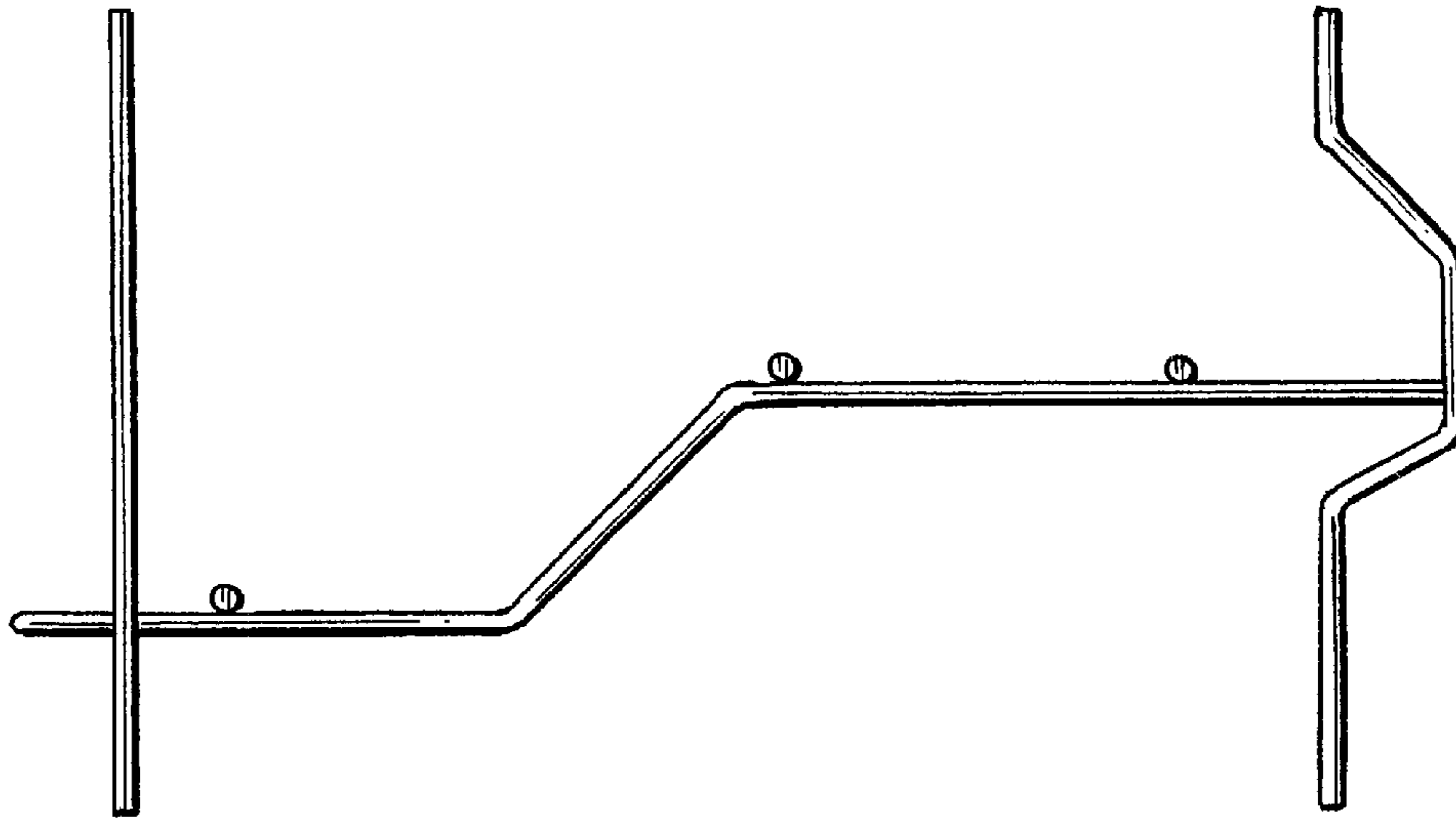


FIG. 13

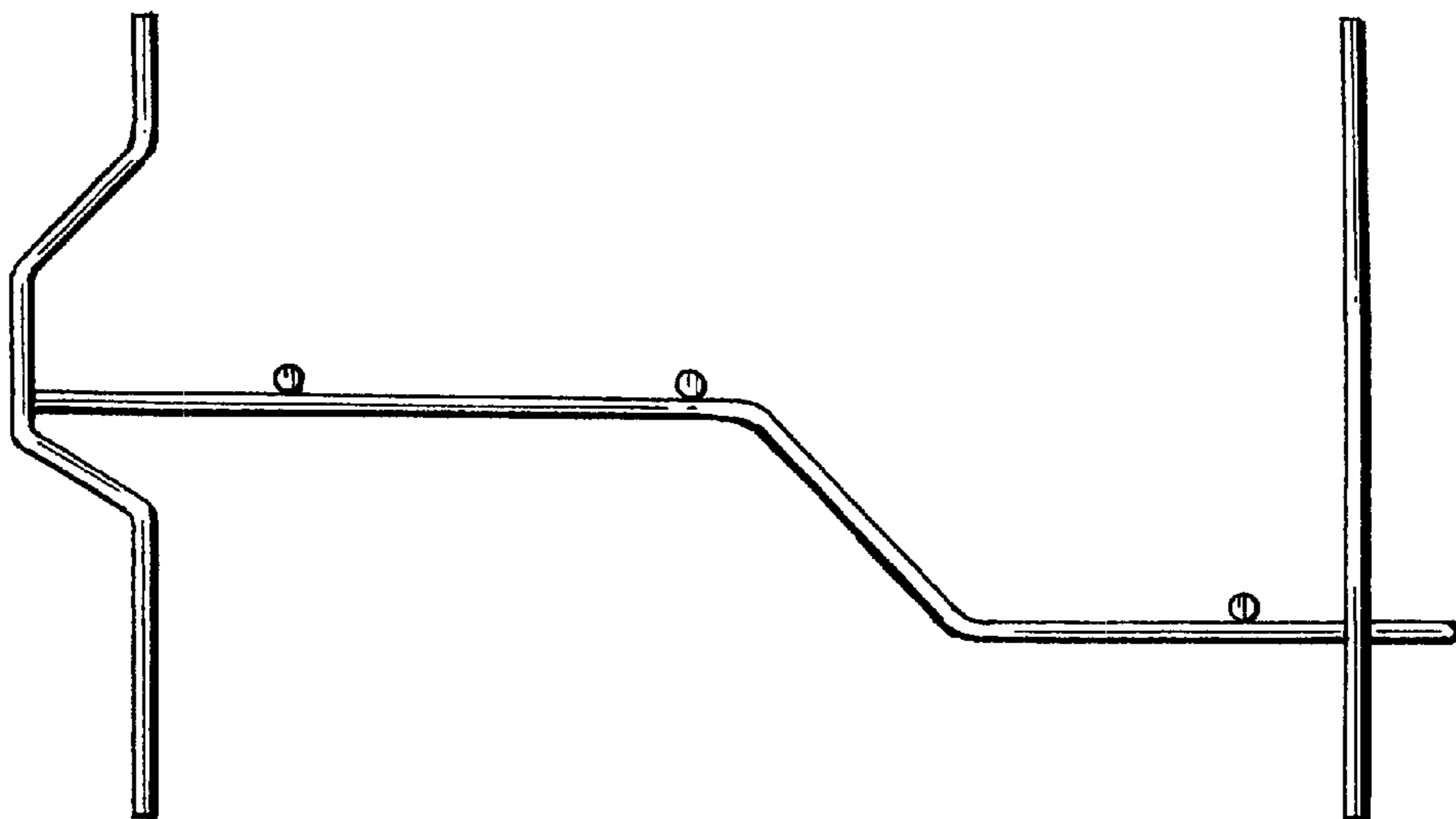


FIG. 14