



US00D469979S

(12) **United States Design Patent**
Wang

(10) **Patent No.:** **US D469,979 S**

(45) **Date of Patent:** **** Feb. 11, 2003**

(54) **COMPUTER TABLE**

Primary Examiner—Janice E. Seeger

(76) Inventor: **Chih-Wei Wang**, 58, Ma Yuan West St., Taichung (TW)

(57) **CLAIM**

(**) Term: **14 Years**

The ornamental design for a computer table, as shown and described.

(21) Appl. No.: **29/163,245**

DESCRIPTION

(22) Filed: **Jun. 28, 2002**

FIG. 1 is a front elevational view of a computer table showing my design;

(51) **LOC (7) Cl.** **06-04**

FIG. 2 is a rear elevational view thereof;

(52) **U.S. Cl.** **D6/425; D6/426**

FIG. 3 is a left side elevational view thereof;

(58) **Field of Search** D6/422–428, 477, D6/479, 421, 474; 312/194–196, 204, 208.1, 208.2, 208.4, 239; 108/50.01, 50.02

FIG. 4 is a right side elevational view thereof;

FIG. 5 is a top plan view thereof;

(56) **References Cited**

FIG. 6 is a bottom plan view thereof;

U.S. PATENT DOCUMENTS

FIG. 7 is a perspective view thereof; and,

D426,085 S * 6/2000 Shu-Fen D6/426

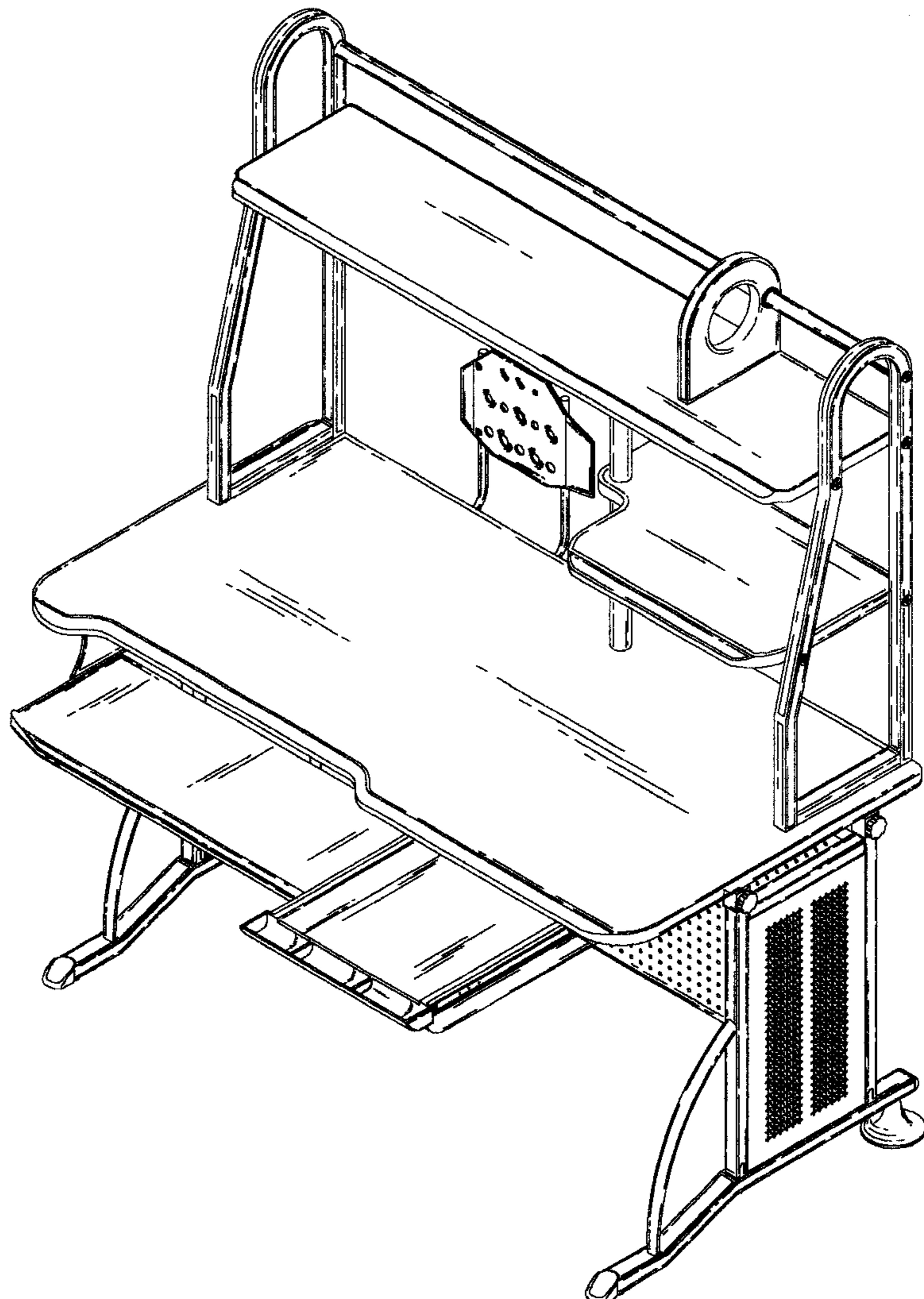
FIG. 8 is a perspective view showing the computer table in an alternate position.

D429,580 S * 8/2000 Janowitz D6/426

D462,194 S * 9/2002 Wang D6/425

* cited by examiner

1 Claim, 8 Drawing Sheets



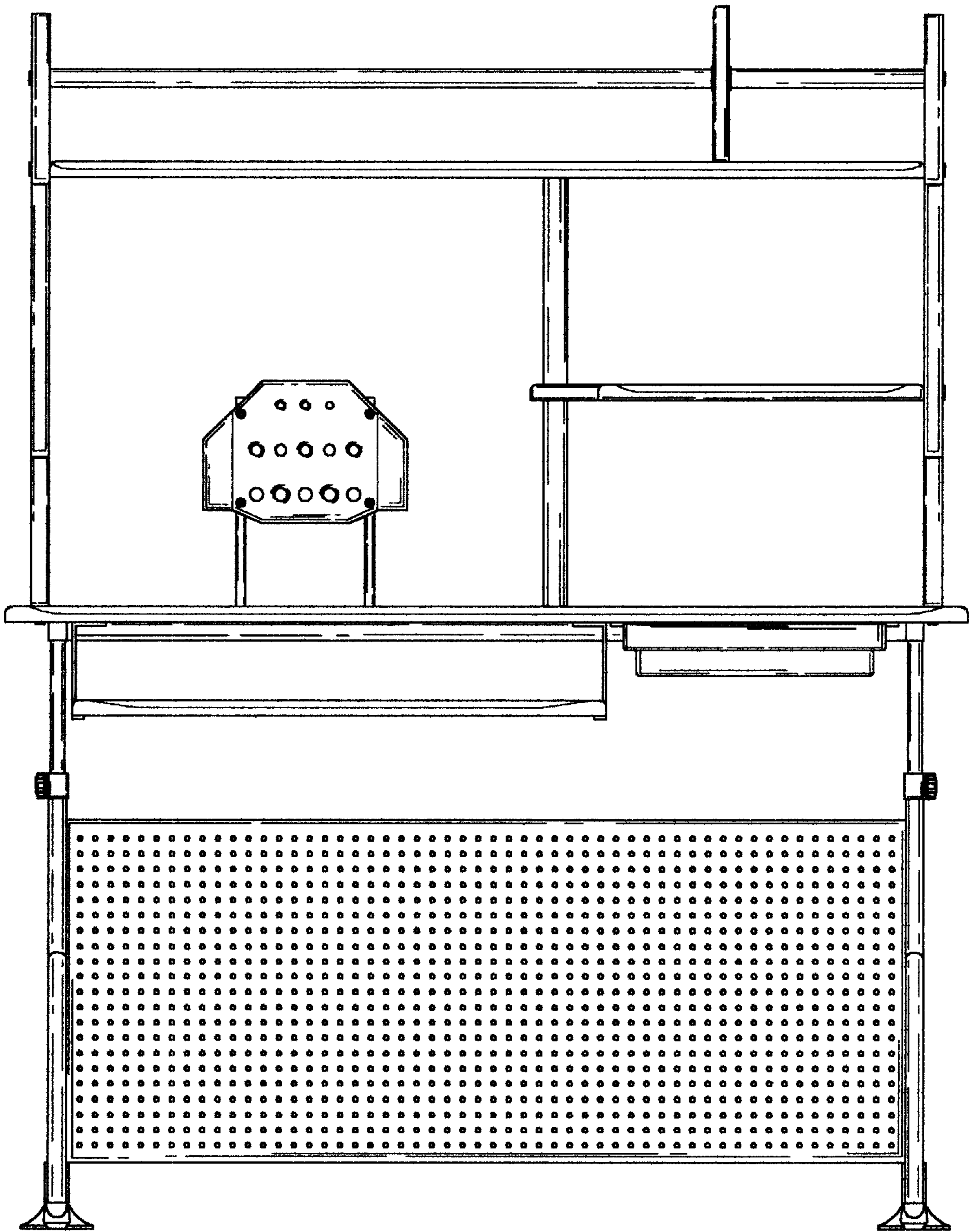


FIG. 1

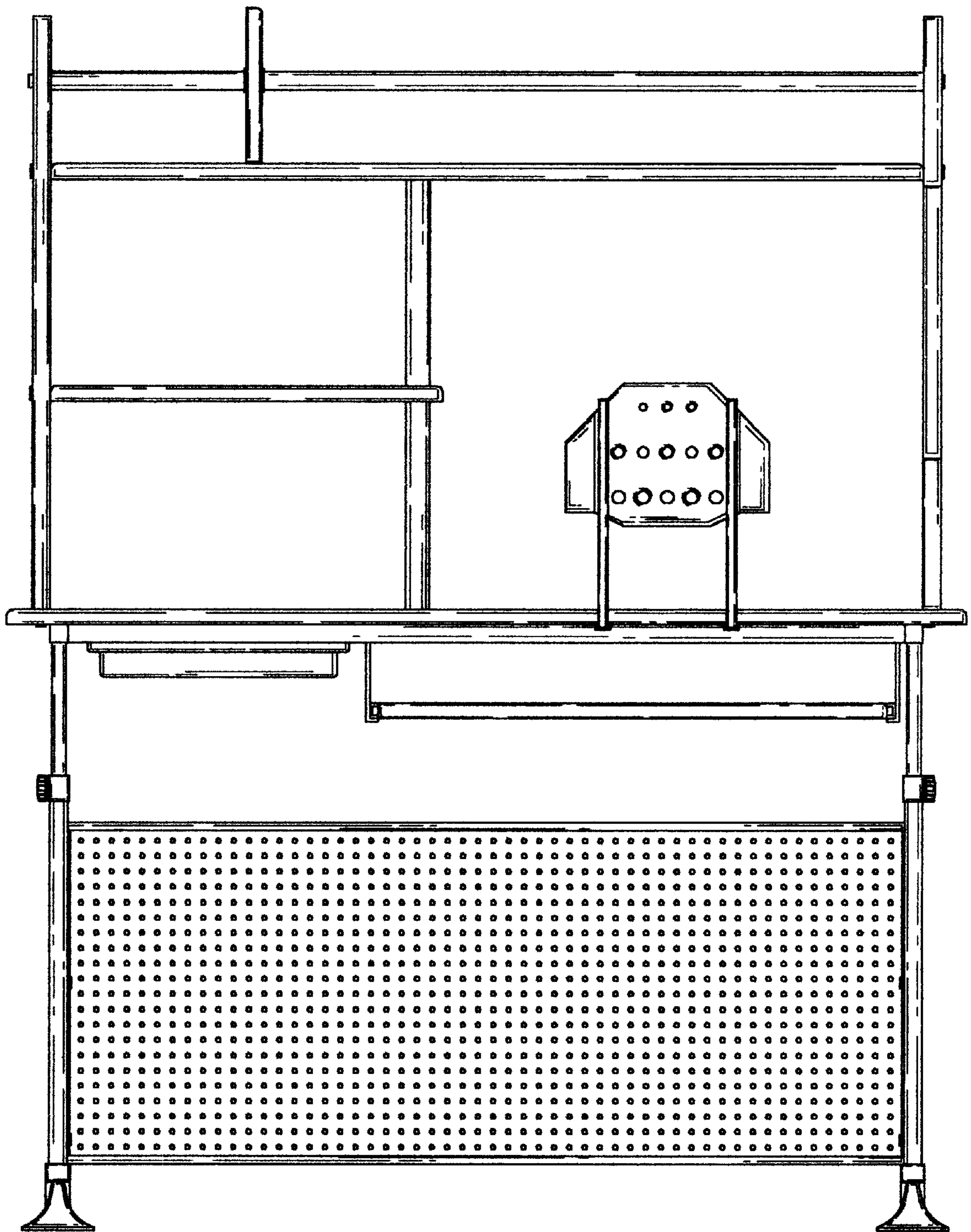


FIG. 2

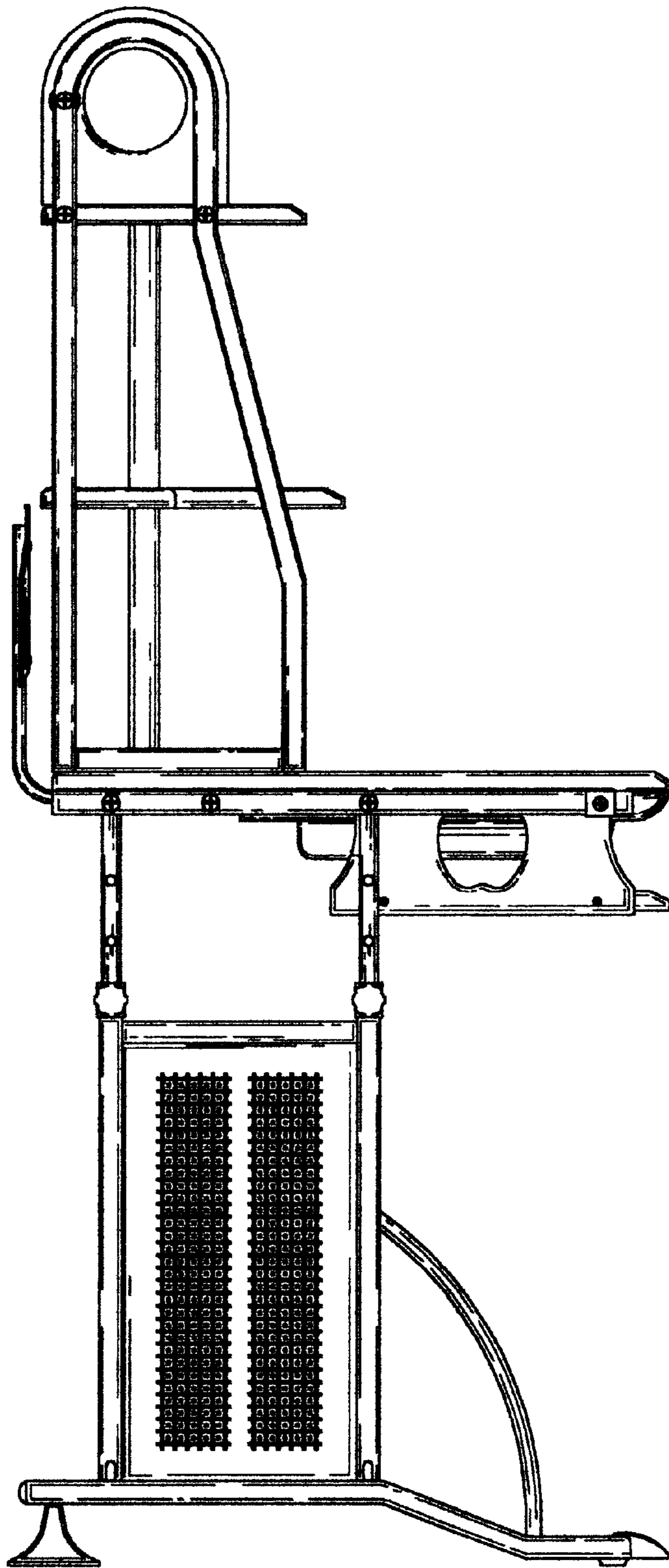


FIG. 3

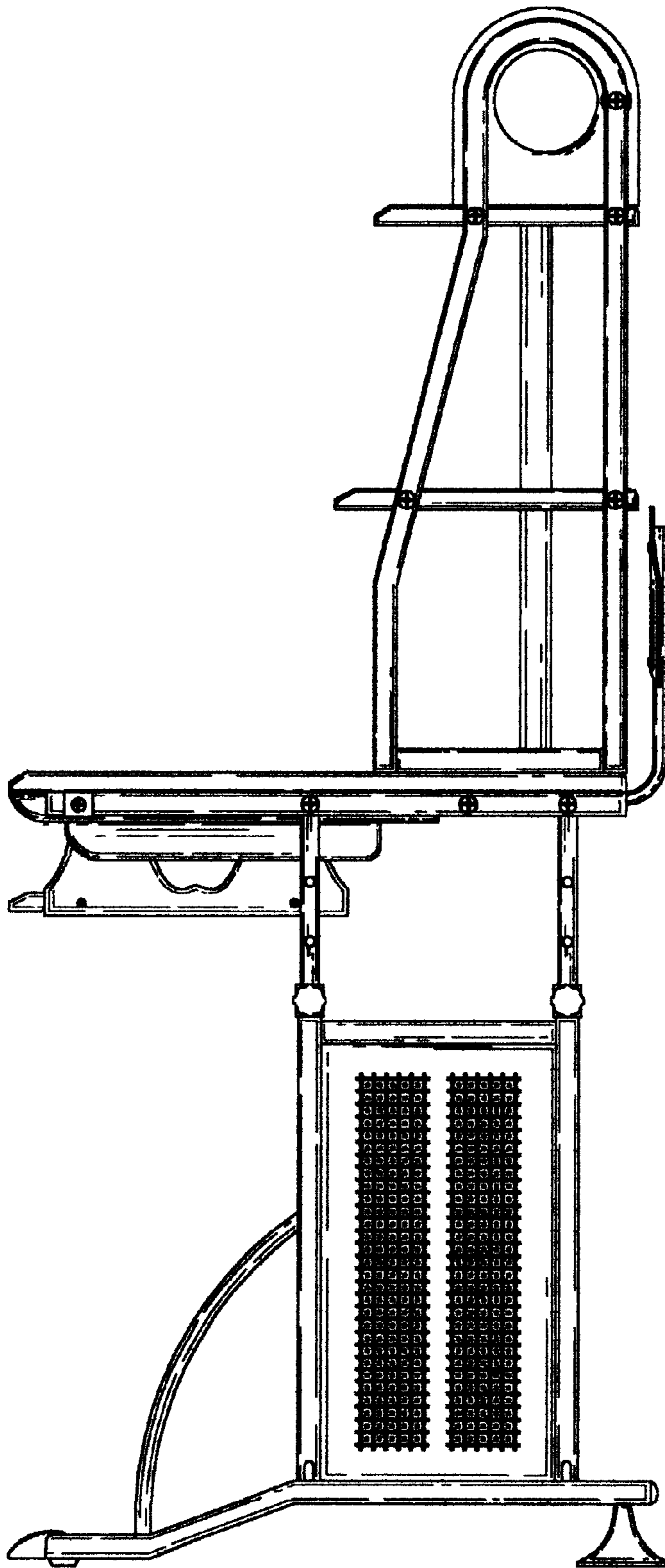


FIG. 4

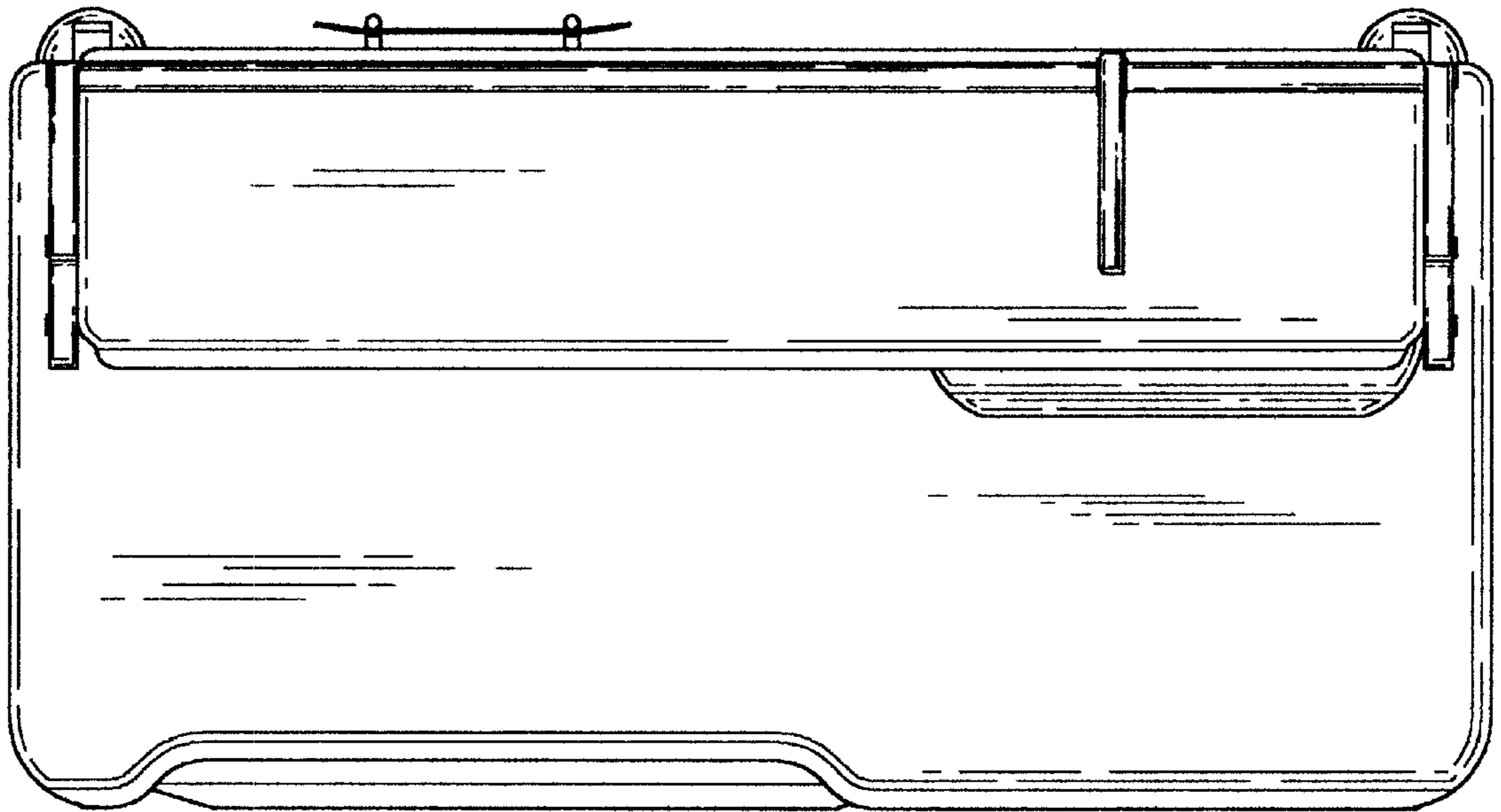


FIG. 5

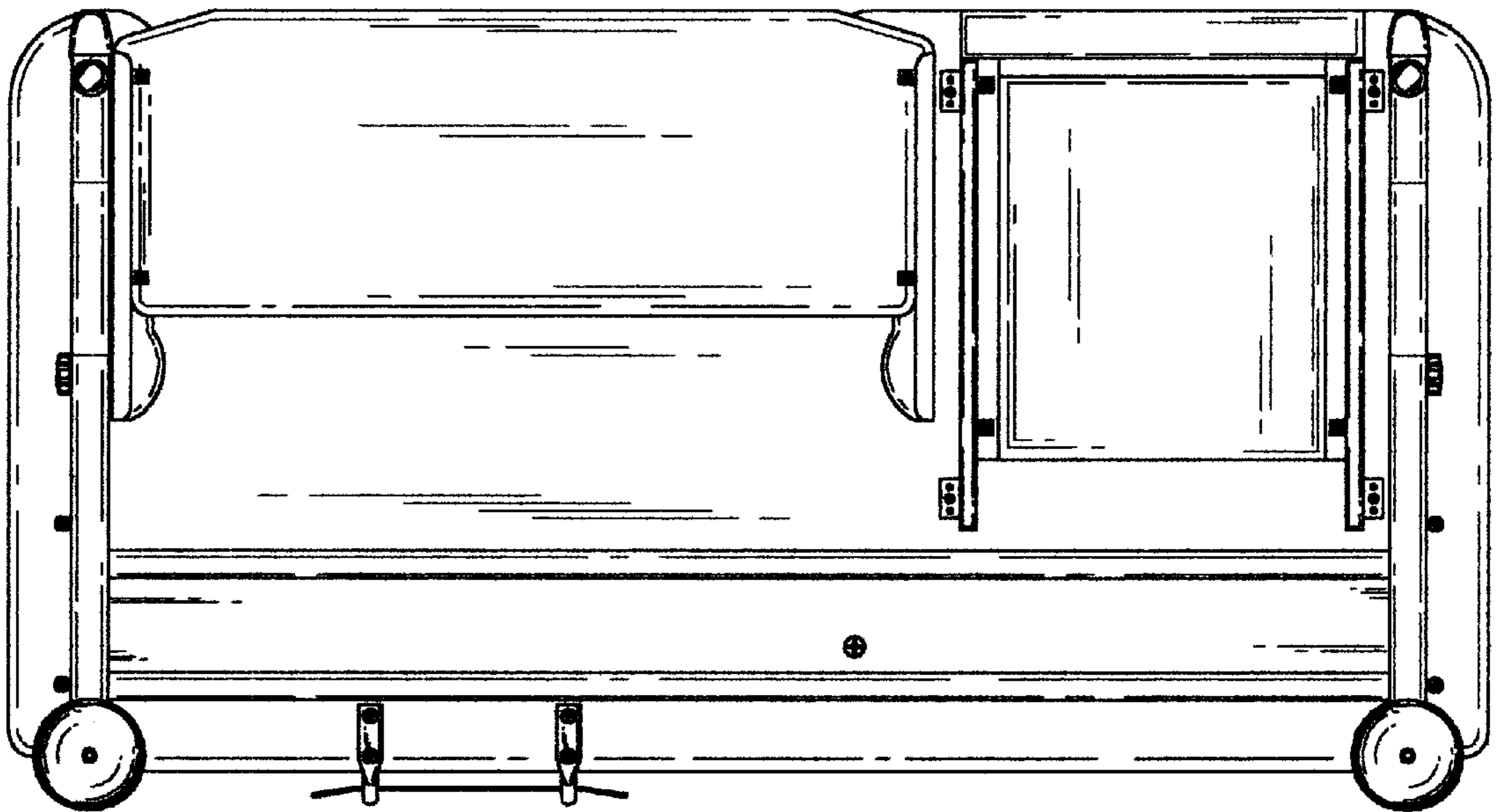


FIG. 6

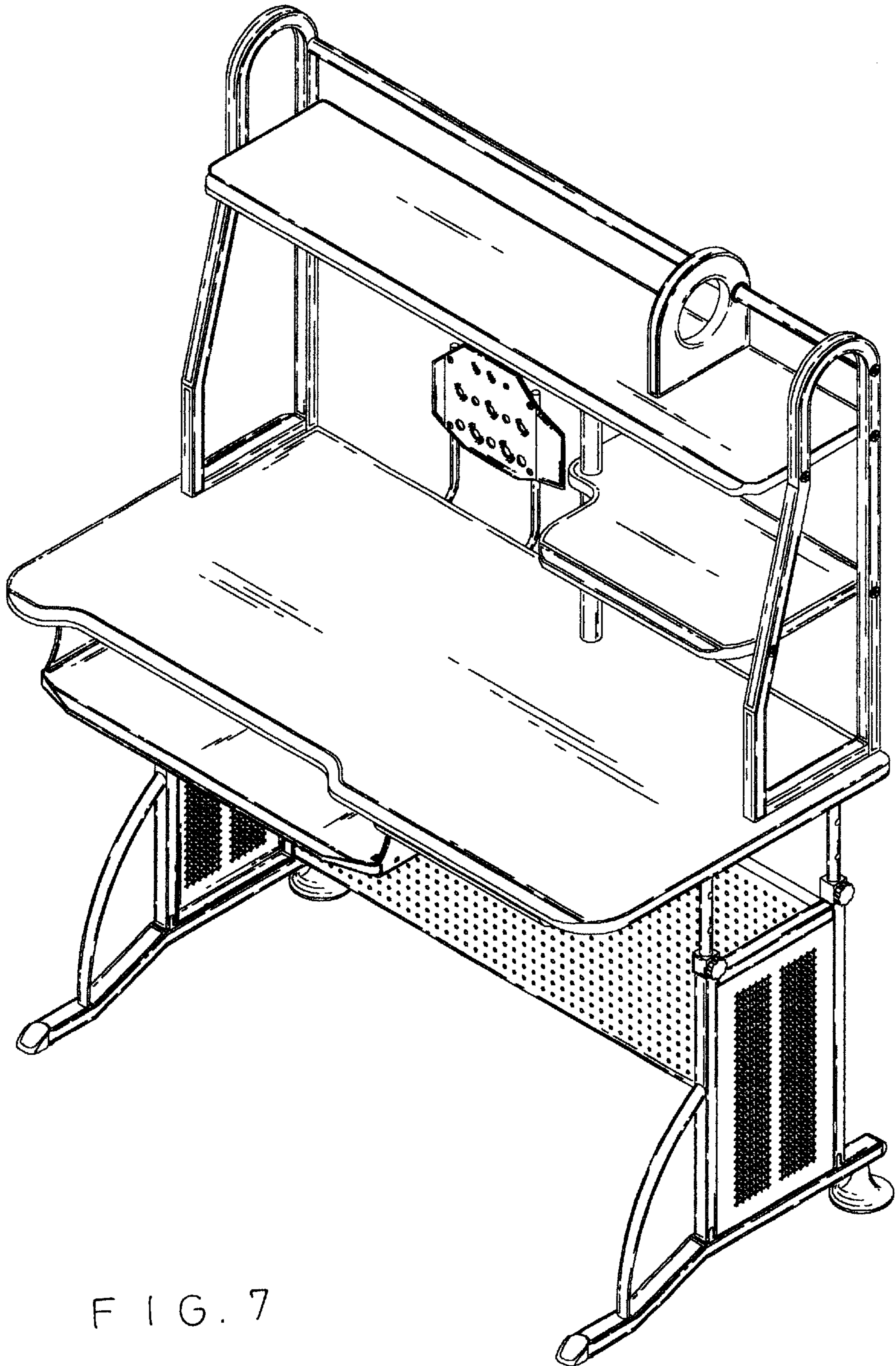


FIG. 7

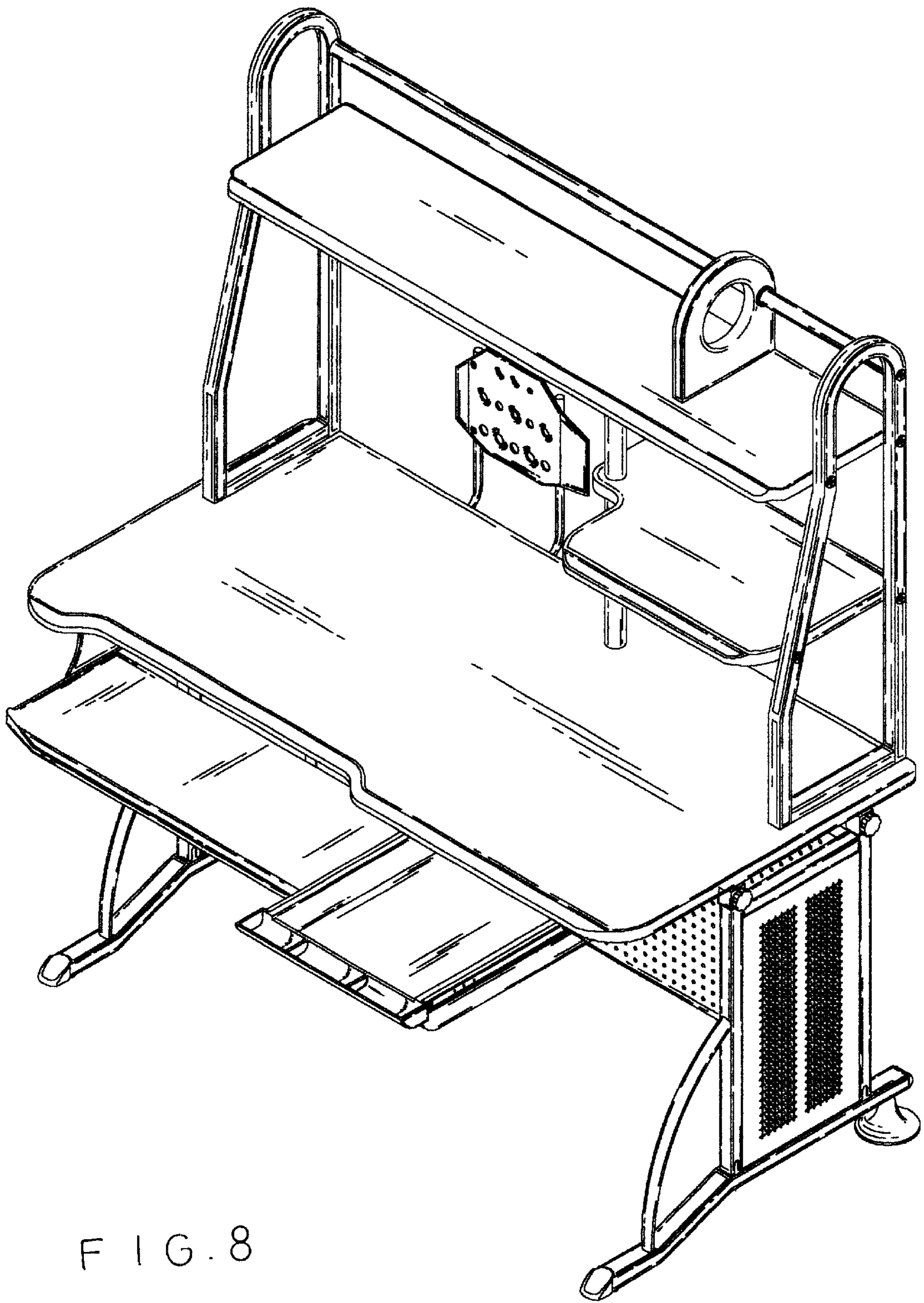


FIG. 8