



US00D469978S

(12) **United States Design Patent**  
**Wang**

(10) **Patent No.:** **US D469,978 S**

(45) **Date of Patent:** **\*\* Feb. 11, 2003**

(54) **COMPUTER DESK**

(76) Inventor: **Chih-Wei Wang**, 58, Ma Yuan West St., Taichung (TW)

(\*\*) Term: **14 Years**

(21) Appl. No.: **29/161,207**

(22) Filed: **May 28, 2002**

(51) **LOC (7) Cl.** ..... **06-04**

(52) **U.S. Cl.** ..... **D6/425; D6/426**

(58) **Field of Search** ..... D6/422-428, 477, D6/479, 421, 474; 312/194-196, 204, 208.1, 208.2, 208.4, 239; 108/50.01, 50.02

(56) **References Cited**

**U.S. PATENT DOCUMENTS**

- D287,319 S \* 12/1986 Ugalde ..... D6/474
- 4,640,199 A \* 2/1987 Zigman ..... 108/6
- D340,816 S \* 11/1993 Lee ..... D6/421

D358,434 S \* 5/1995 Brown et al. .... D6/421

\* cited by examiner

*Primary Examiner*—Janice E. Seeger

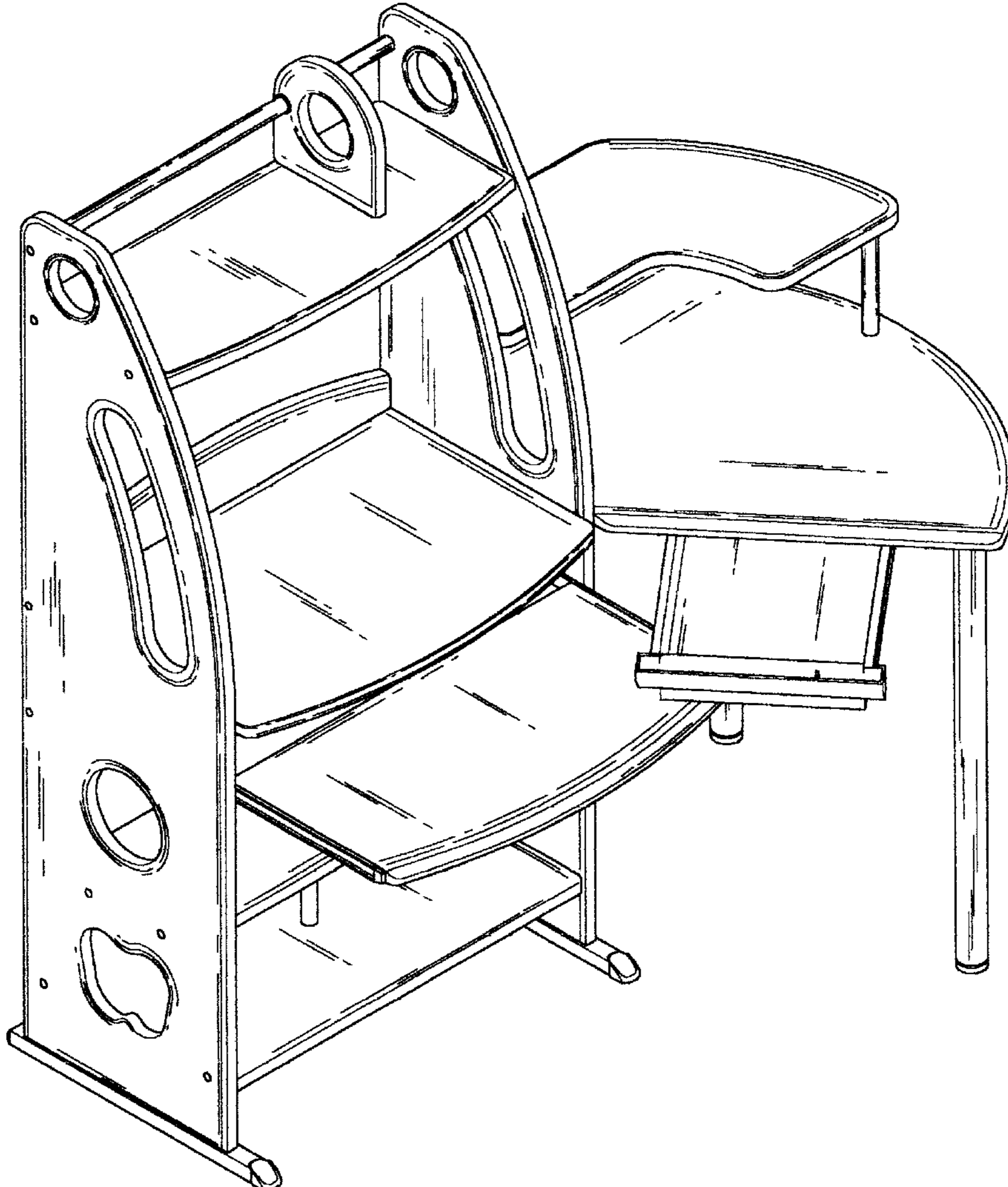
(57) **CLAIM**

The ornamental design for a computer desk, as shown and described.

**DESCRIPTION**

FIG. 1 is a front elevational view of a computer desk showing my design;  
 FIG. 2 is a rear elevational view thereof;  
 FIG. 3 is a left side elevational view thereof;  
 FIG. 4 is a right side elevational view thereof;  
 FIG. 5 is a top plan view thereof;  
 FIG. 6 is a bottom plan view thereof;  
 FIG. 7 is a perspective view thereof; and,  
 FIG. 8 is a perspective view showing the computer desk in an alternate position.

**1 Claim, 8 Drawing Sheets**



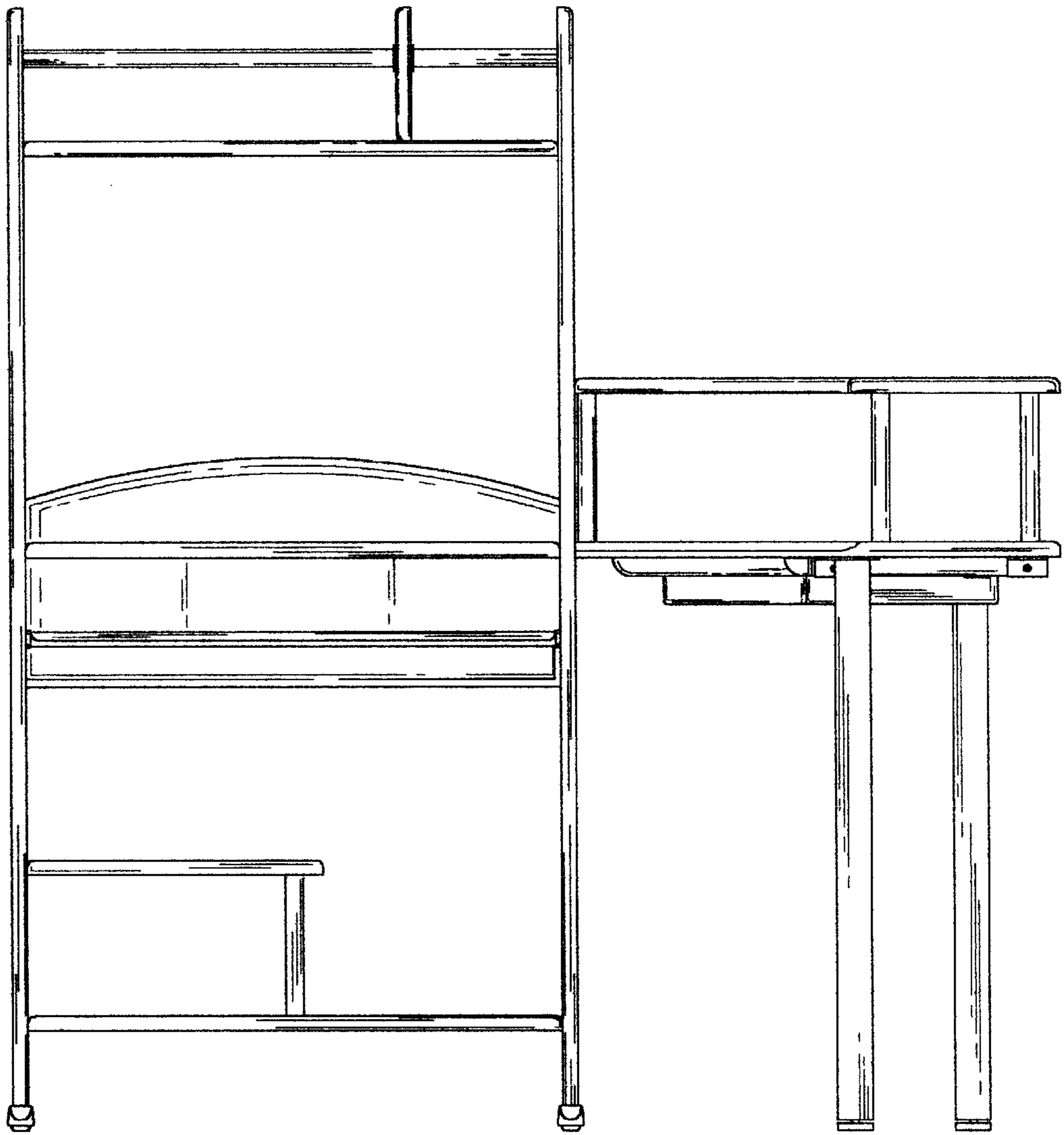


FIG. 1

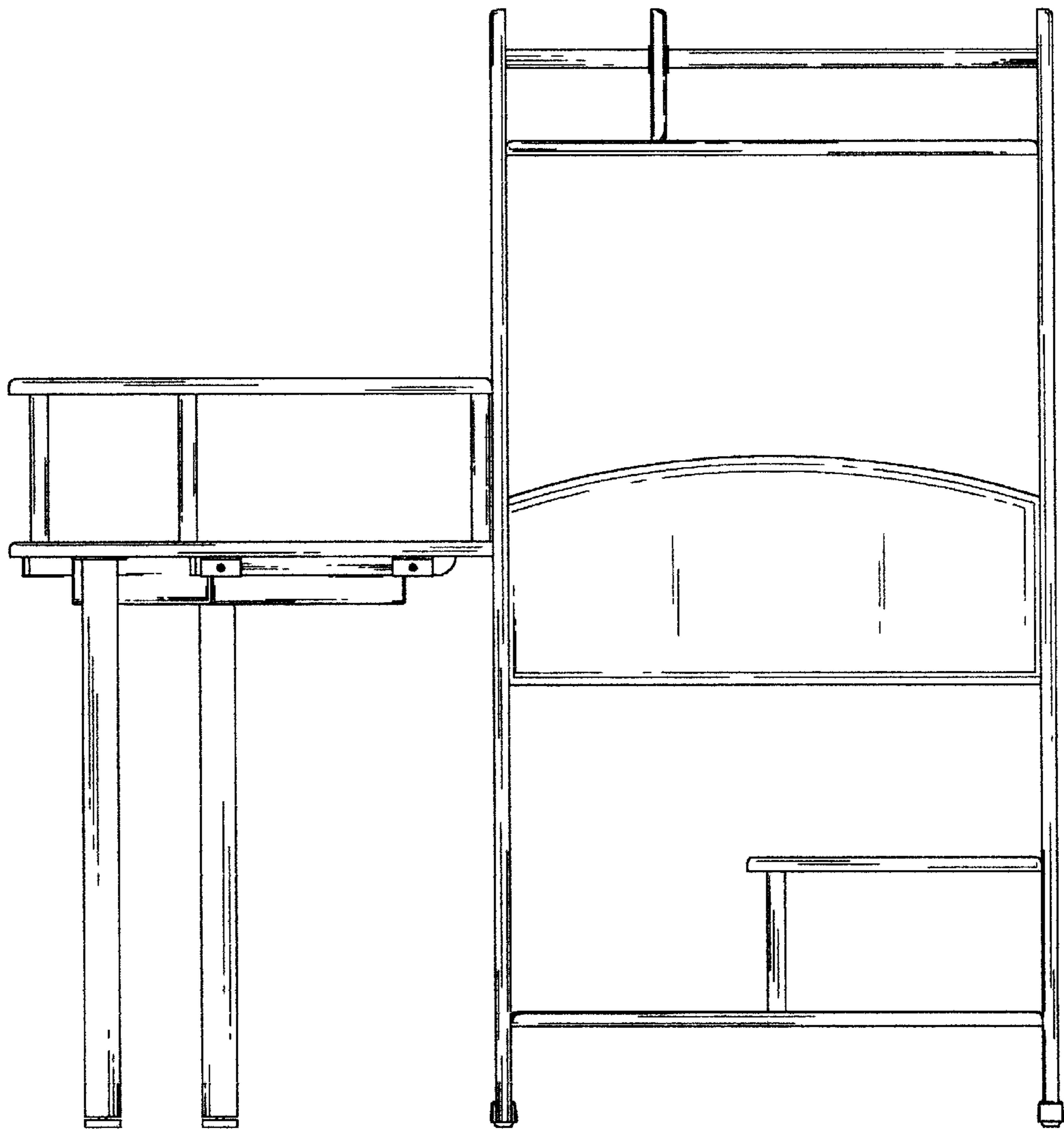


FIG. 2

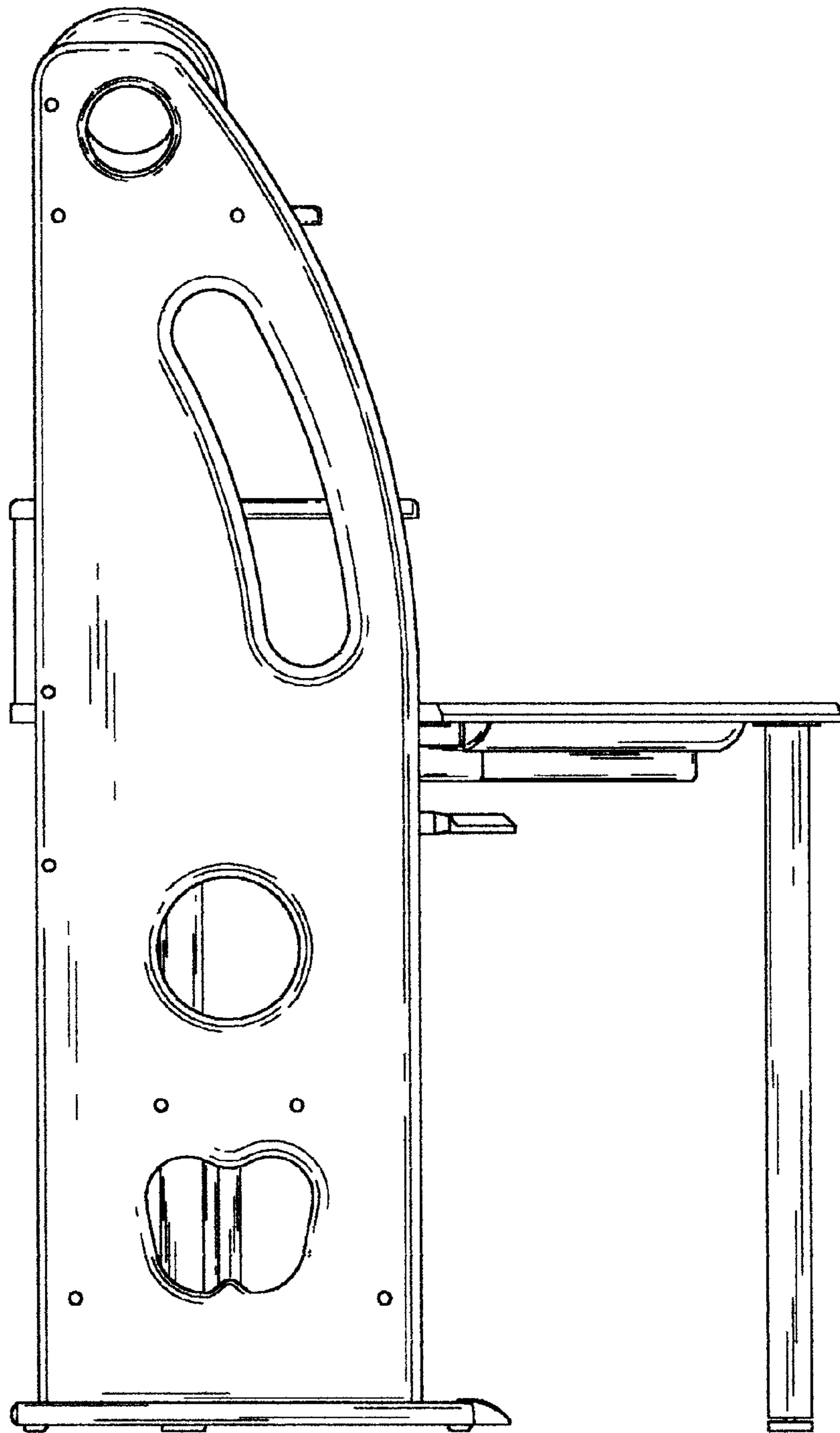


FIG. 3

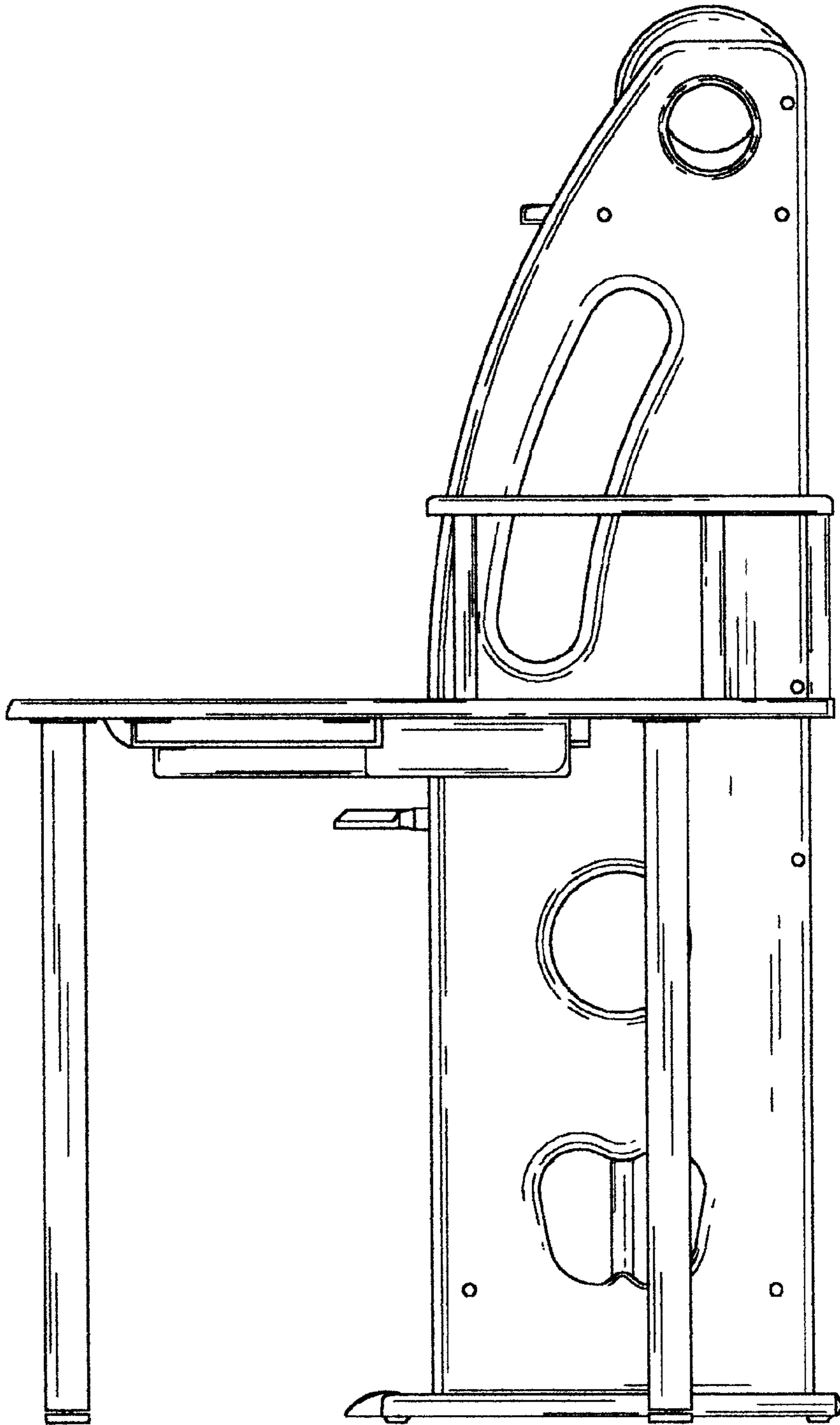


FIG. 4

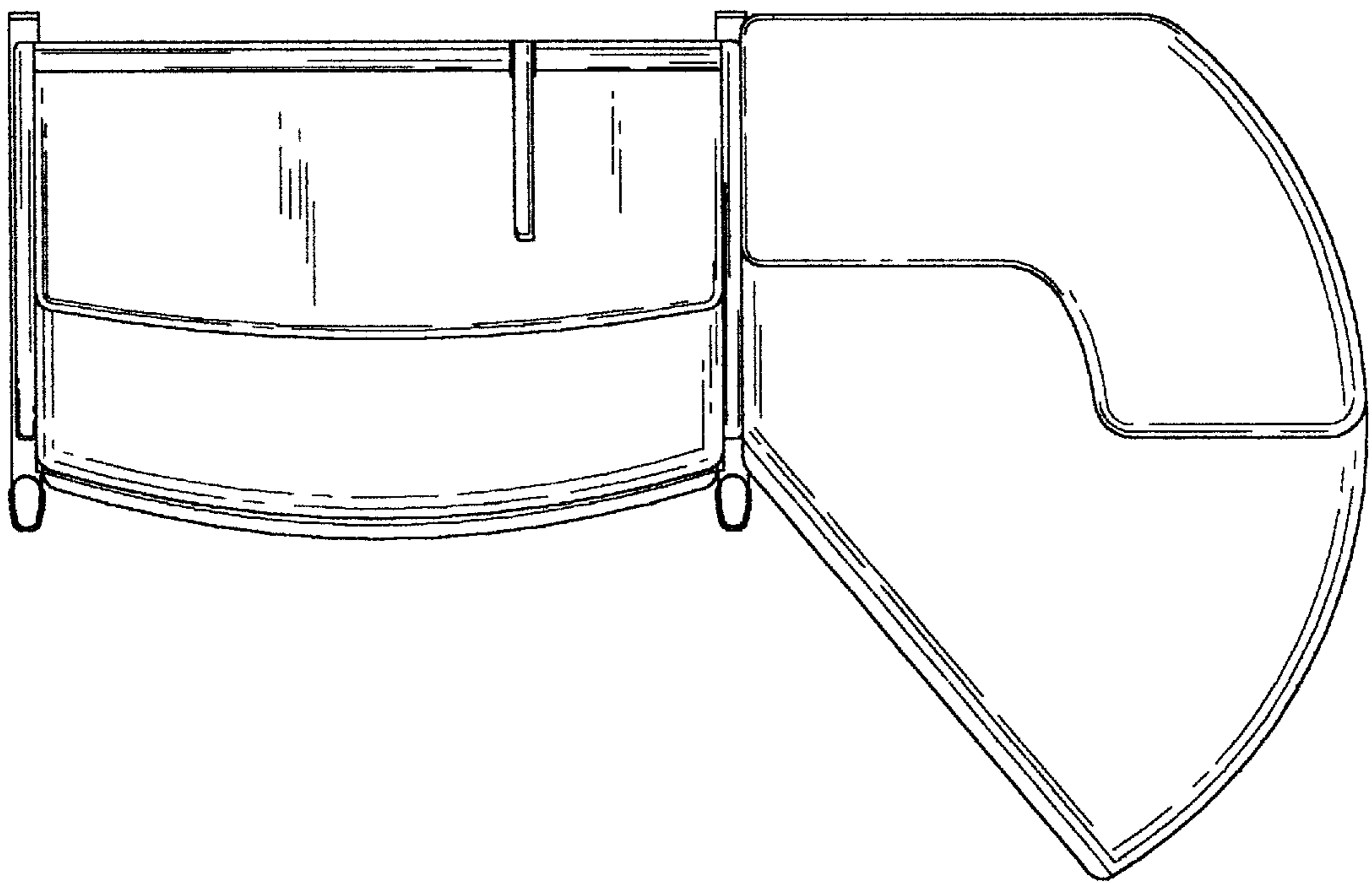


FIG. 5

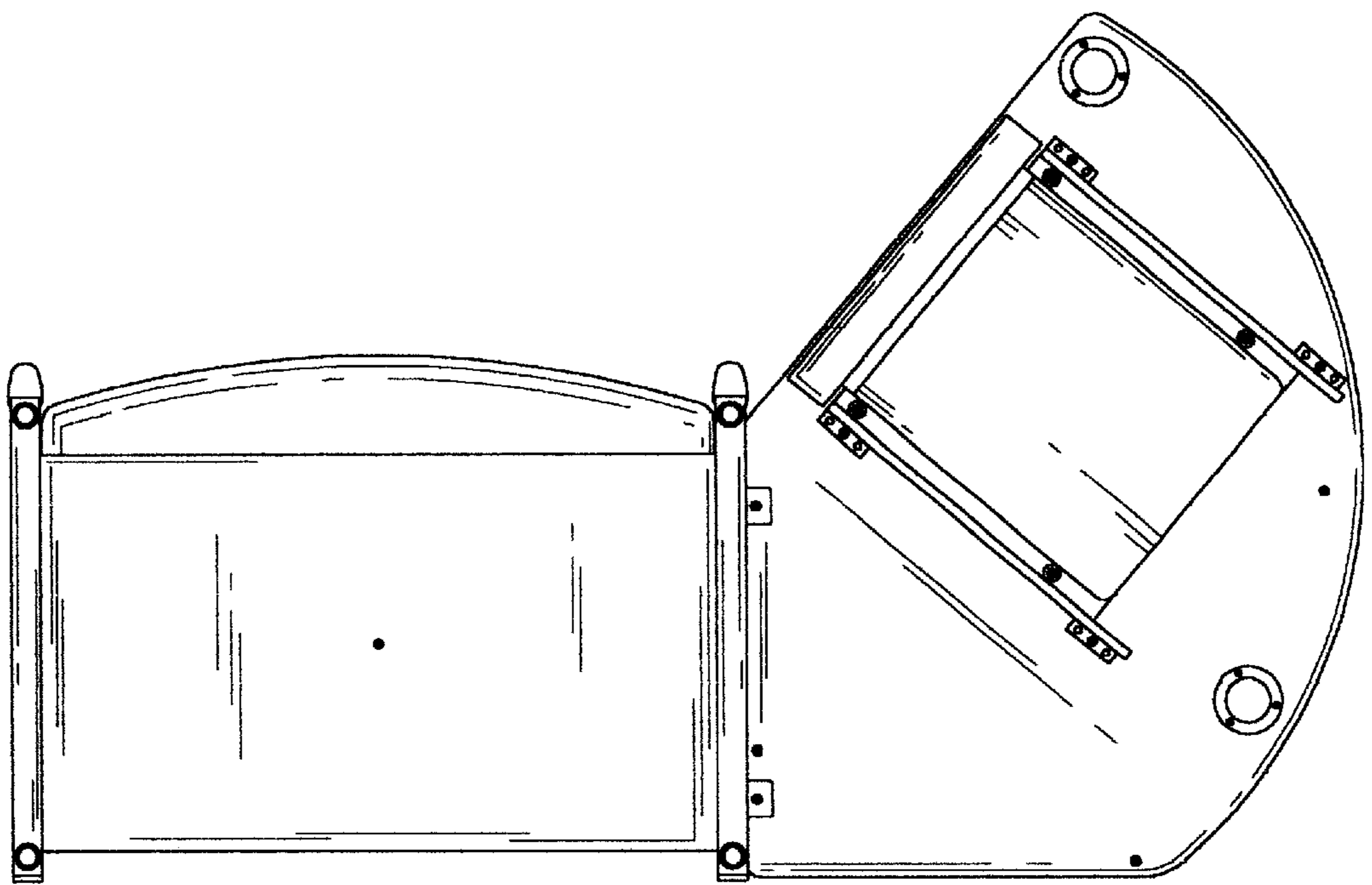


FIG. 6

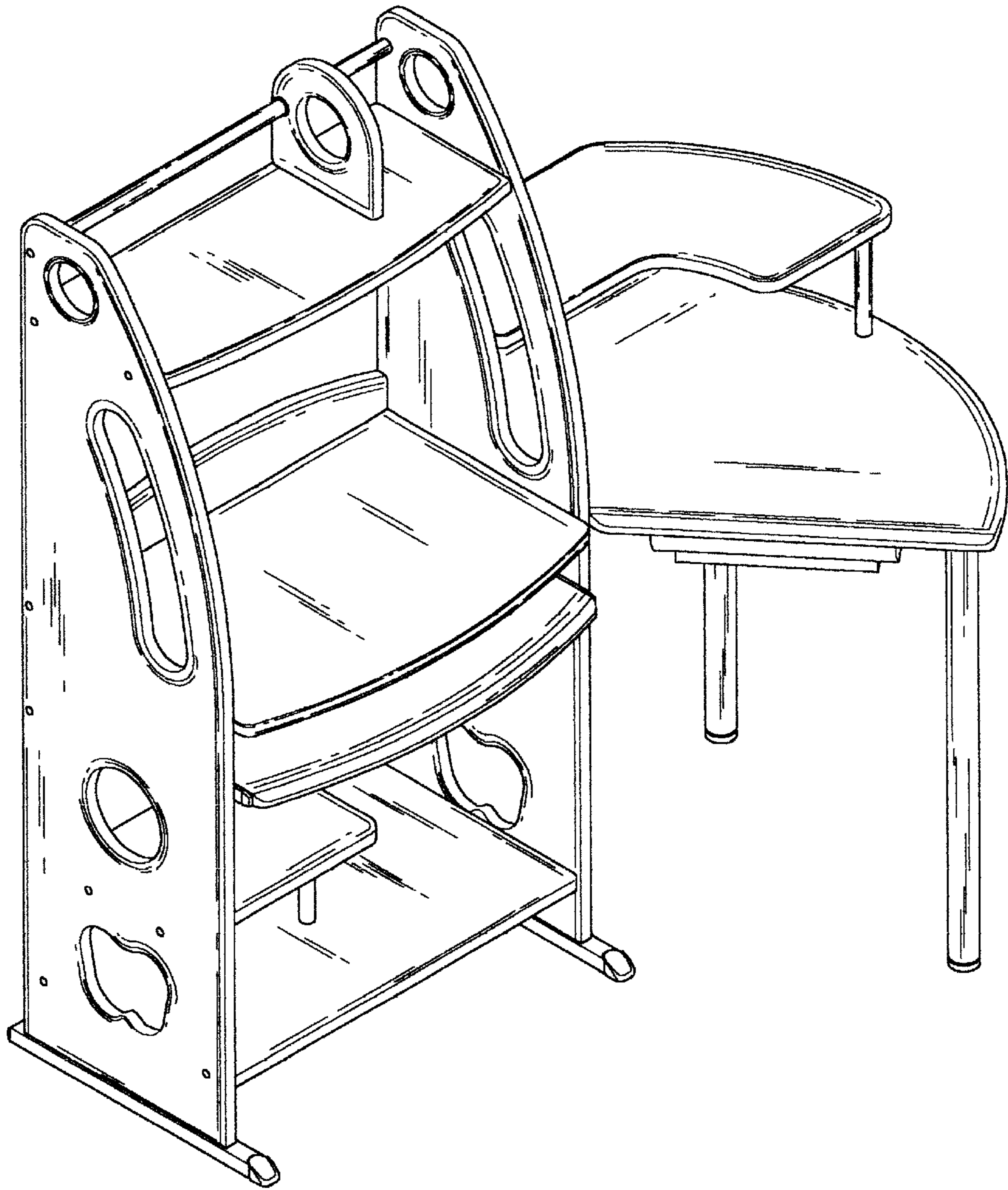


FIG. 7



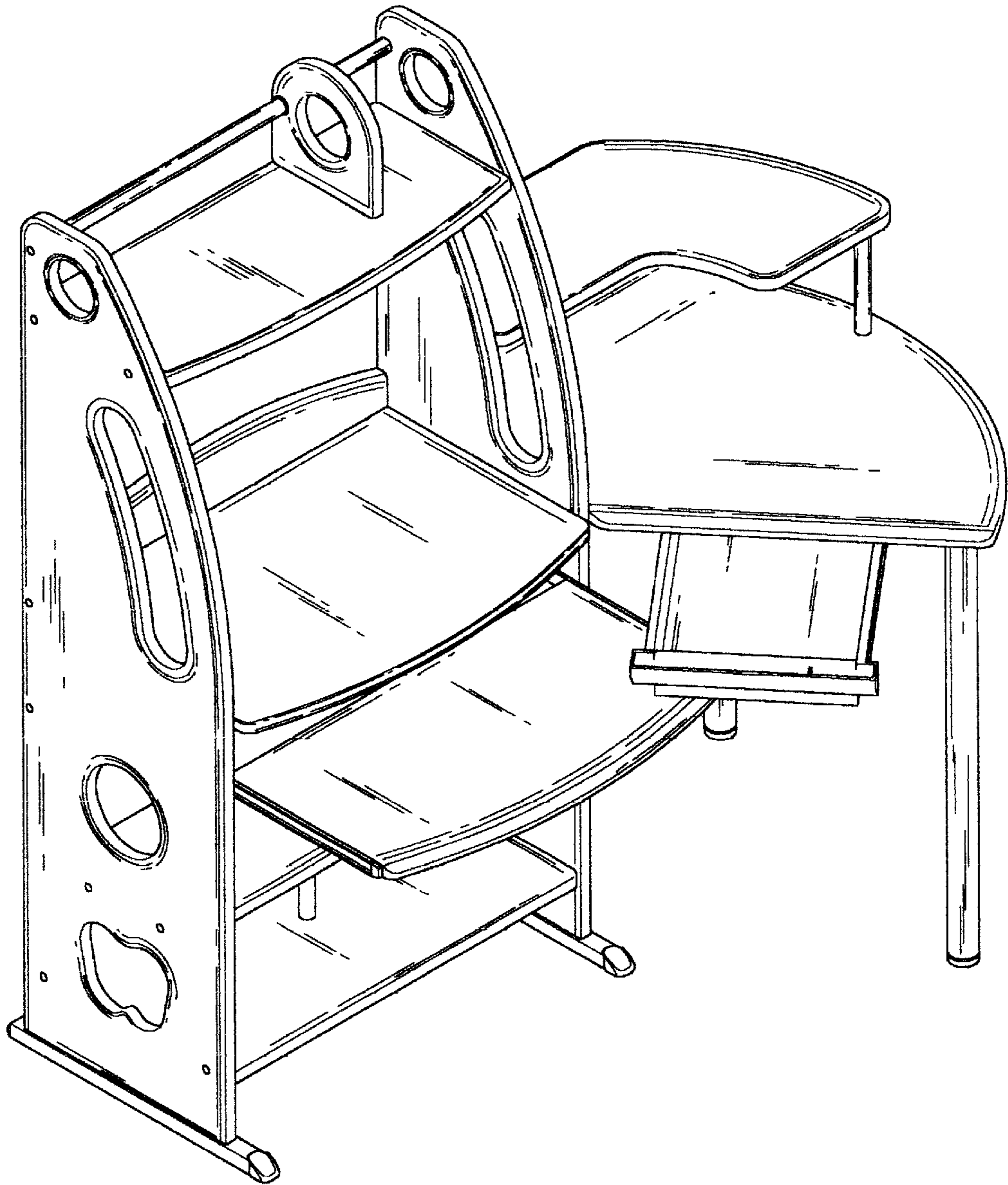


FIG. 8