



US00D469977S

(12) **United States Design Patent**  
**Wang**

(10) **Patent No.:** **US D469,977 S**

(45) **Date of Patent:** **\*\* Feb. 11, 2003**

(54) **COMPUTER TABLE**

D462,194 S \* 9/2002 Wang ..... D6/425

(76) Inventor: **Chih-Wei Wang**, 58, Ma Yuan West St., Taichung (TW)

\* cited by examiner

(\*\*) Term: **14 Years**

*Primary Examiner*—Janice E. Seeger

(21) Appl. No.: **29/157,005**

(57) **CLAIM**

(22) Filed: **Mar. 12, 2002**

The ornamental design for a computer table, as shown and described.

(51) **LOC (7) Cl.** ..... **06-04**

**DESCRIPTION**

(52) **U.S. Cl.** ..... **D6/425; D6/426**

FIG. 1 is a front elevational view of a computer table showing my design;

(58) **Field of Search** ..... D6/422–428, 477, D6/479; 312/194–196, 204, 208.1, 208.2, 208.4, 239; 108/50.01, 50.02

FIG. 2 is a rear elevational view thereof;

FIG. 3 is a left side elevational view thereof;

FIG. 4 is a right side elevational view thereof;

FIG. 5 is a top plan view thereof;

FIG. 6 is a bottom plan view thereof; and,

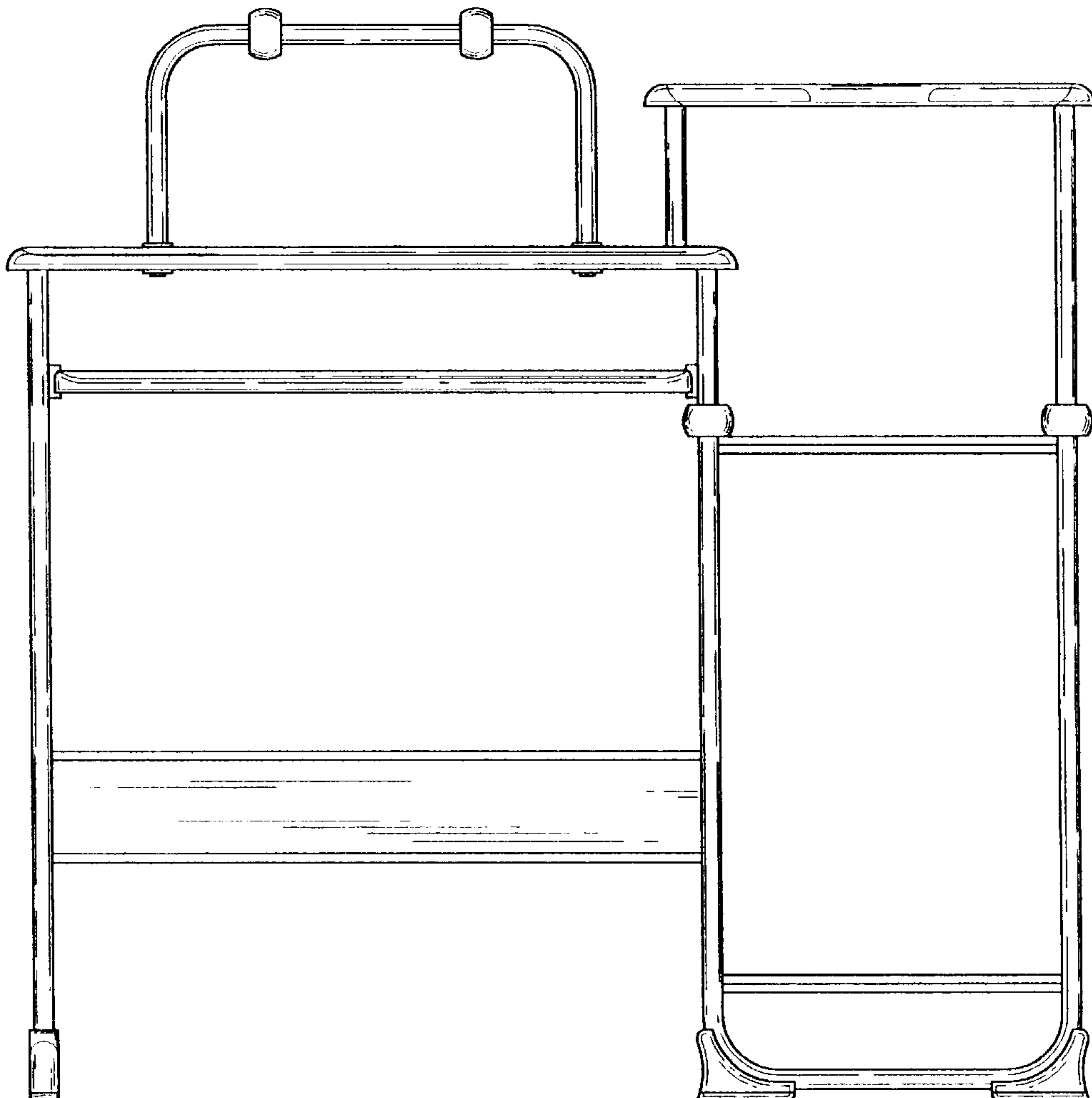
FIG. 7 is a perspective view thereof.

(56) **References Cited**

**U.S. PATENT DOCUMENTS**

- 5,623,881 A \* 4/1997 Huang ..... 108/50
- D426,979 S \* 6/2000 Hawang ..... D6/426
- 6,398,326 B1 \* 6/2002 Wang ..... 312/223.3

**1 Claim, 7 Drawing Sheets**



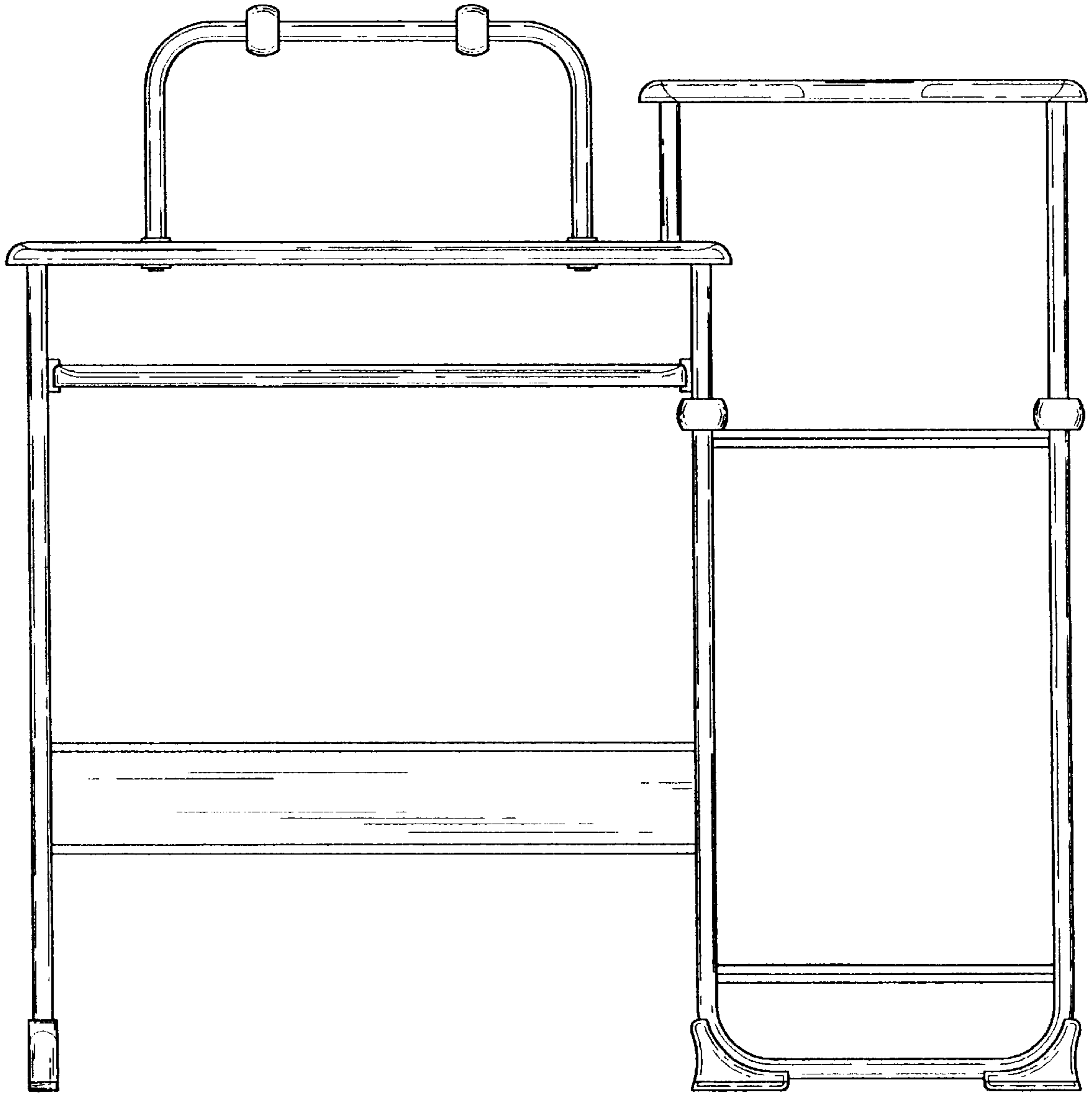


FIG. 1

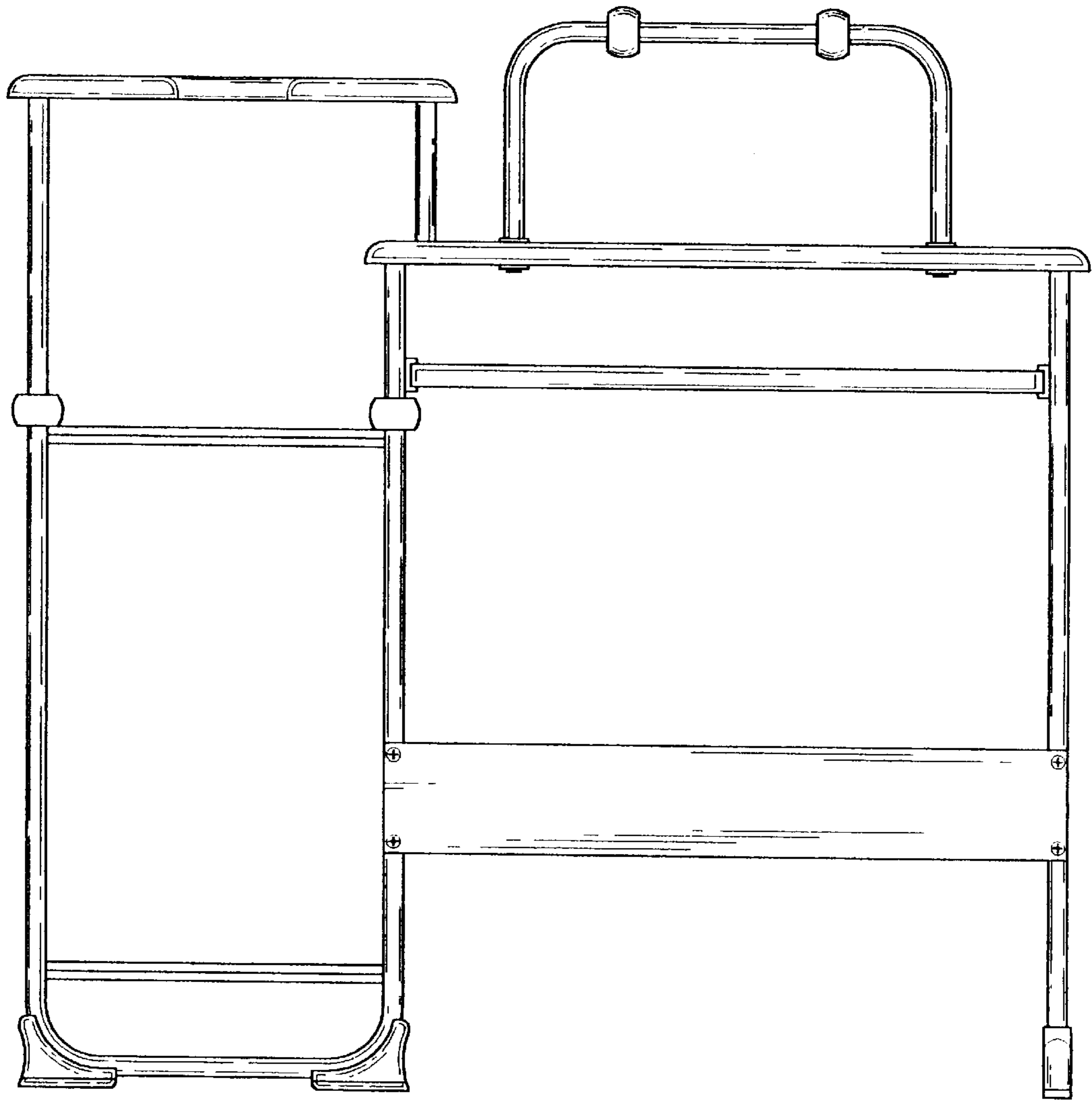


FIG. 2

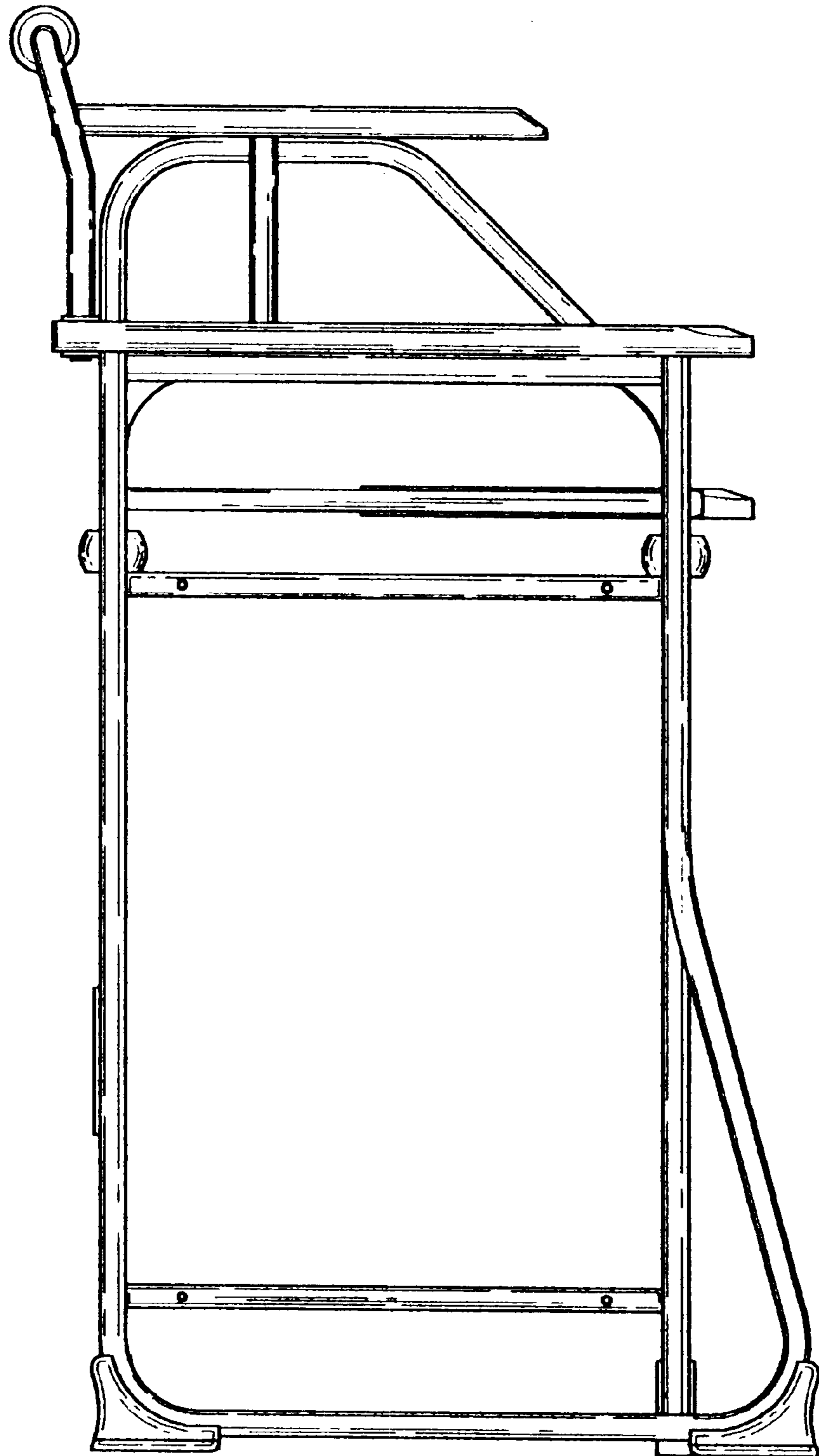


FIG. 3

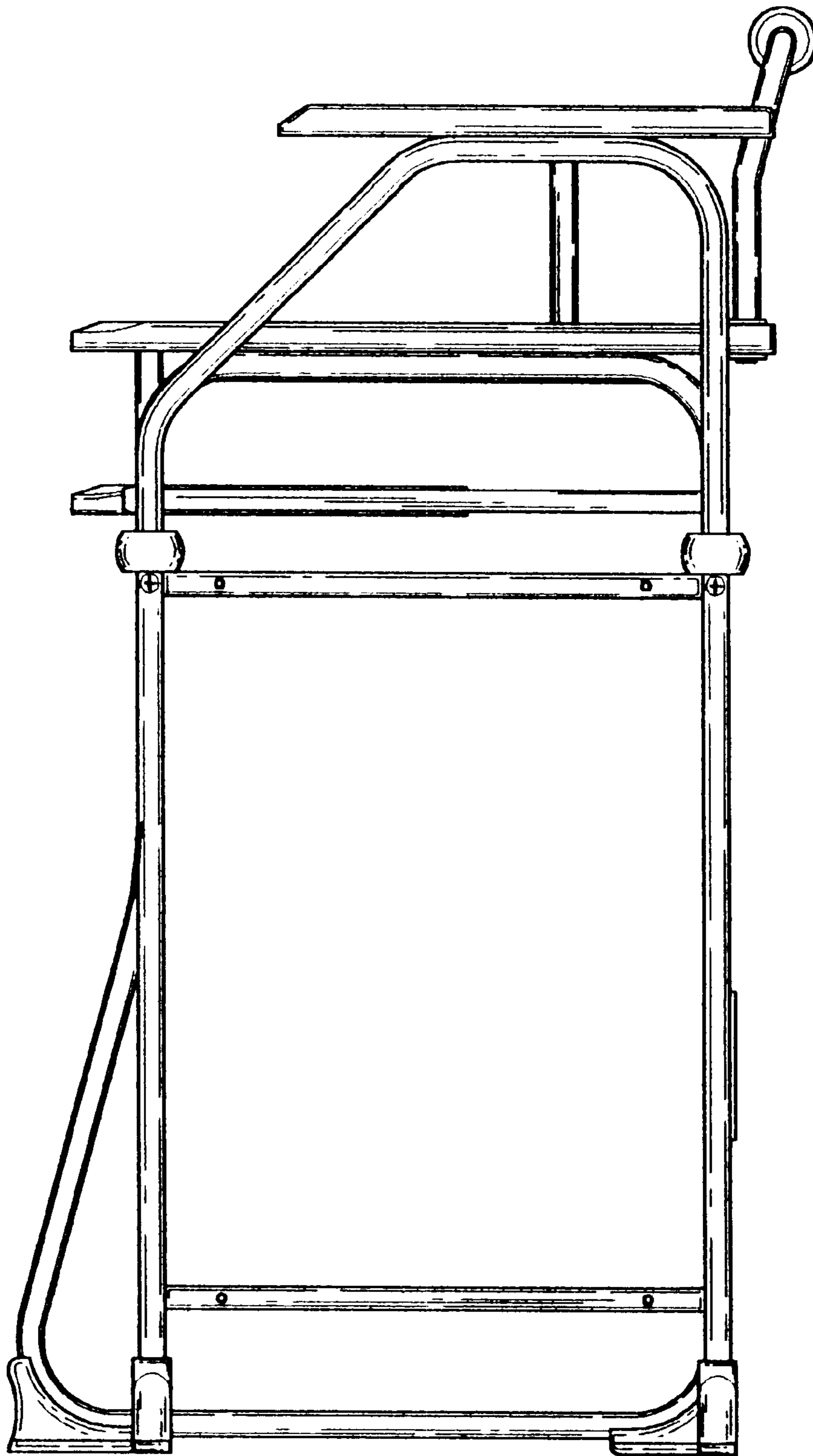


FIG. 4

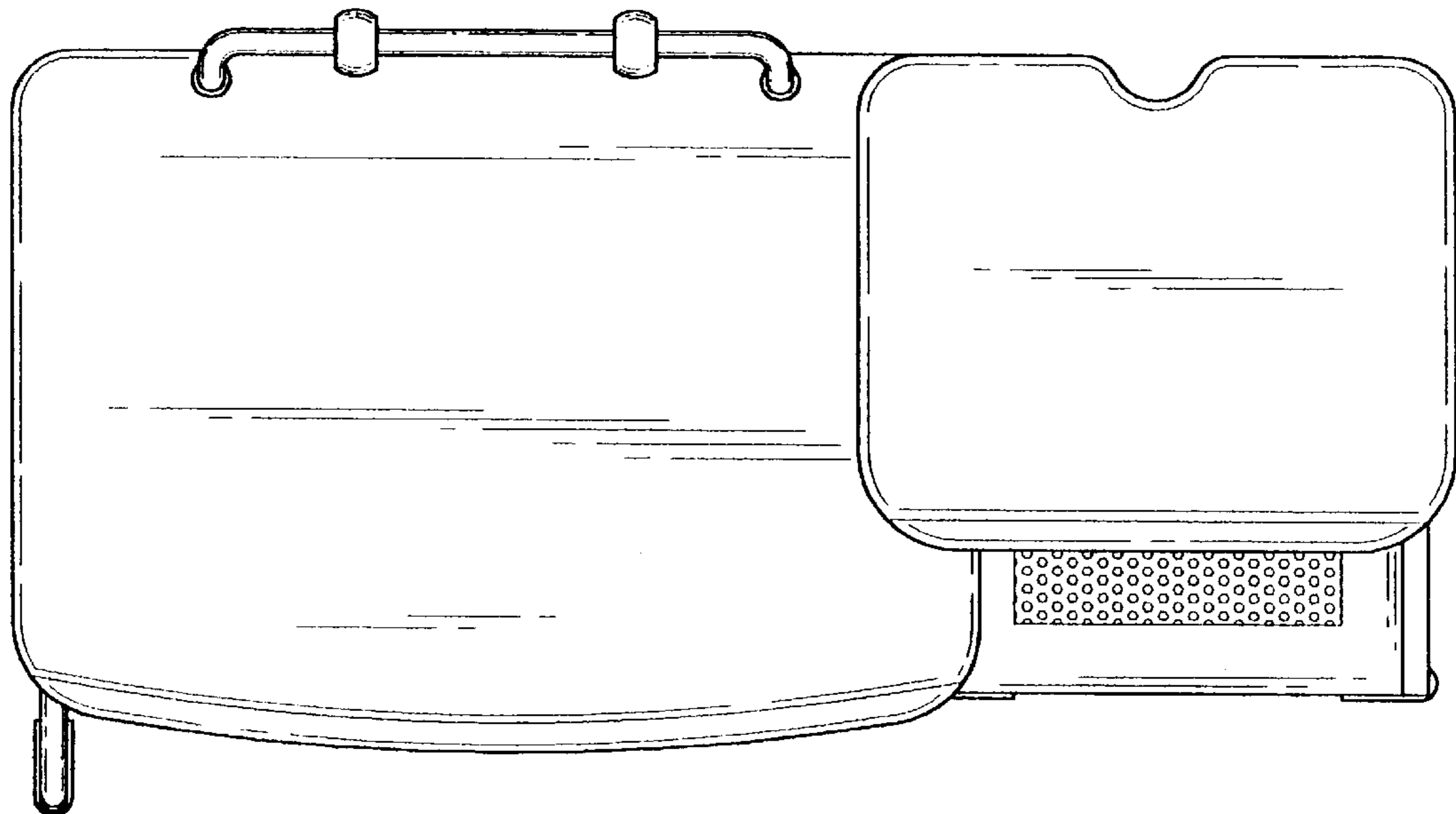


FIG. 5

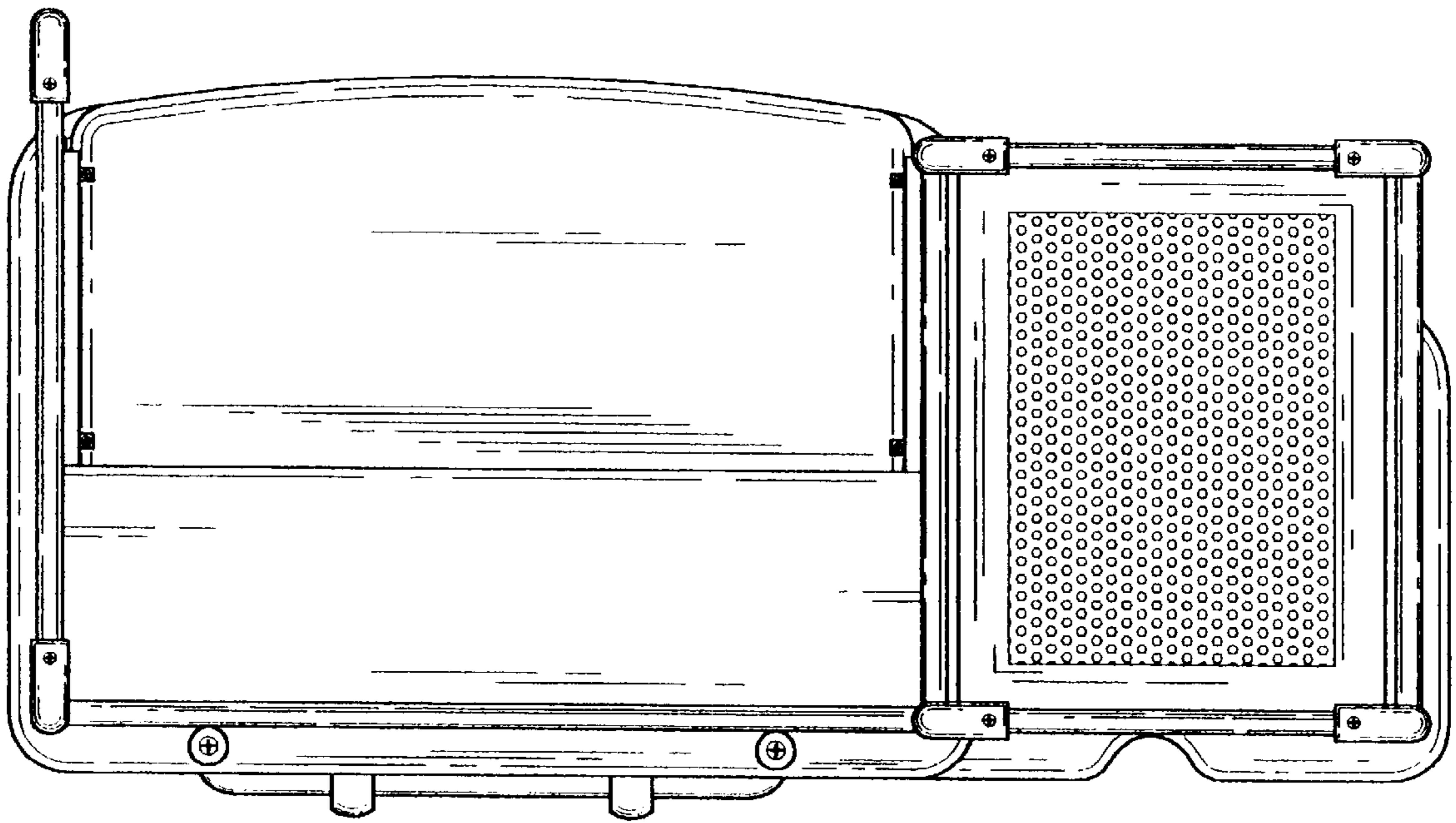


FIG. 6



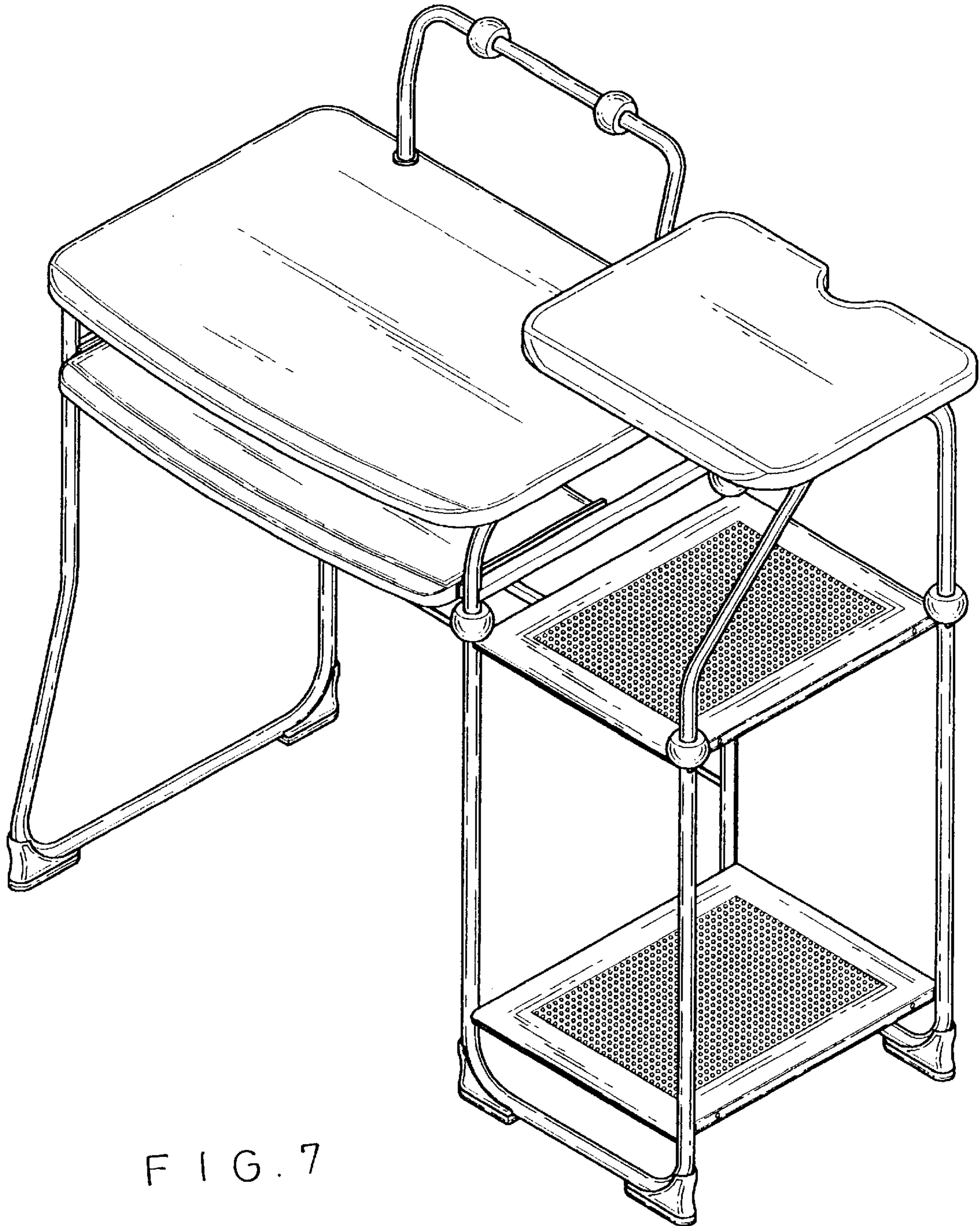


FIG. 7