



US00D469974S

(12) **United States Design Patent**  
**Scribner**

(10) **Patent No.:** **US D469,974 S**

(45) **Date of Patent:** **\*\* Feb. 11, 2003**

(54) **MICRO-AUDIO CASSETTE STORAGE TRAY**

(76) **Inventor:** **Dale R. Scribner**, 6830 Arabella Way,  
Sacramento, CA (US) 95831

(\*\*) **Term:** **14 Years**

(21) **Appl. No.:** **29/156,368**

(22) **Filed:** **Mar. 1, 2002**

(51) **LOC (7) Cl.** ..... **06-04**

(52) **U.S. Cl.** ..... **D6/407; D6/475**

(58) **Field of Search** ..... D6/407, 628-630,  
D6/467-469, 450, 453, 462, 465, 466, 475,  
510; 206/307, 307.1, 308.1; 211/40, 41.1,  
41.2, 41.12; 312/9.1, 9.9, 9.47, 9.48, 9.51-9.56,  
9.64

(56) **References Cited**

**U.S. PATENT DOCUMENTS**

1,273,894 A	*	7/1918	Madison	.....	211/184
D212,011 S	*	8/1968	Risom et al.	.....	D6/510
D243,576 S	*	3/1977	Zinck	.....	D6/407
4,366,903 A	*	1/1983	Gaiser et al.	.....	211/40 X
4,501,359 A		2/1985	Yoshizawa		
D305,841 S	*	2/1990	MacQueen	.....	D6/475
D331,045 S	*	11/1992	Moerke	.....	D6/510 X
5,285,897 A		2/1994	Ozaki		
D351,957 S	*	11/1994	Bumb	.....	D6/475

5,405,007 A	4/1995	Iwahashi
5,775,500 A	7/1998	Williams
D417,091 S	11/1999	Shirakami et al.
6,340,086 B1	1/2002	McConnaughy et al.

\* cited by examiner

*Primary Examiner*—Cathron C. Brooks  
(74) *Attorney, Agent, or Firm*—Bozicevic, Field & Francis  
LLP

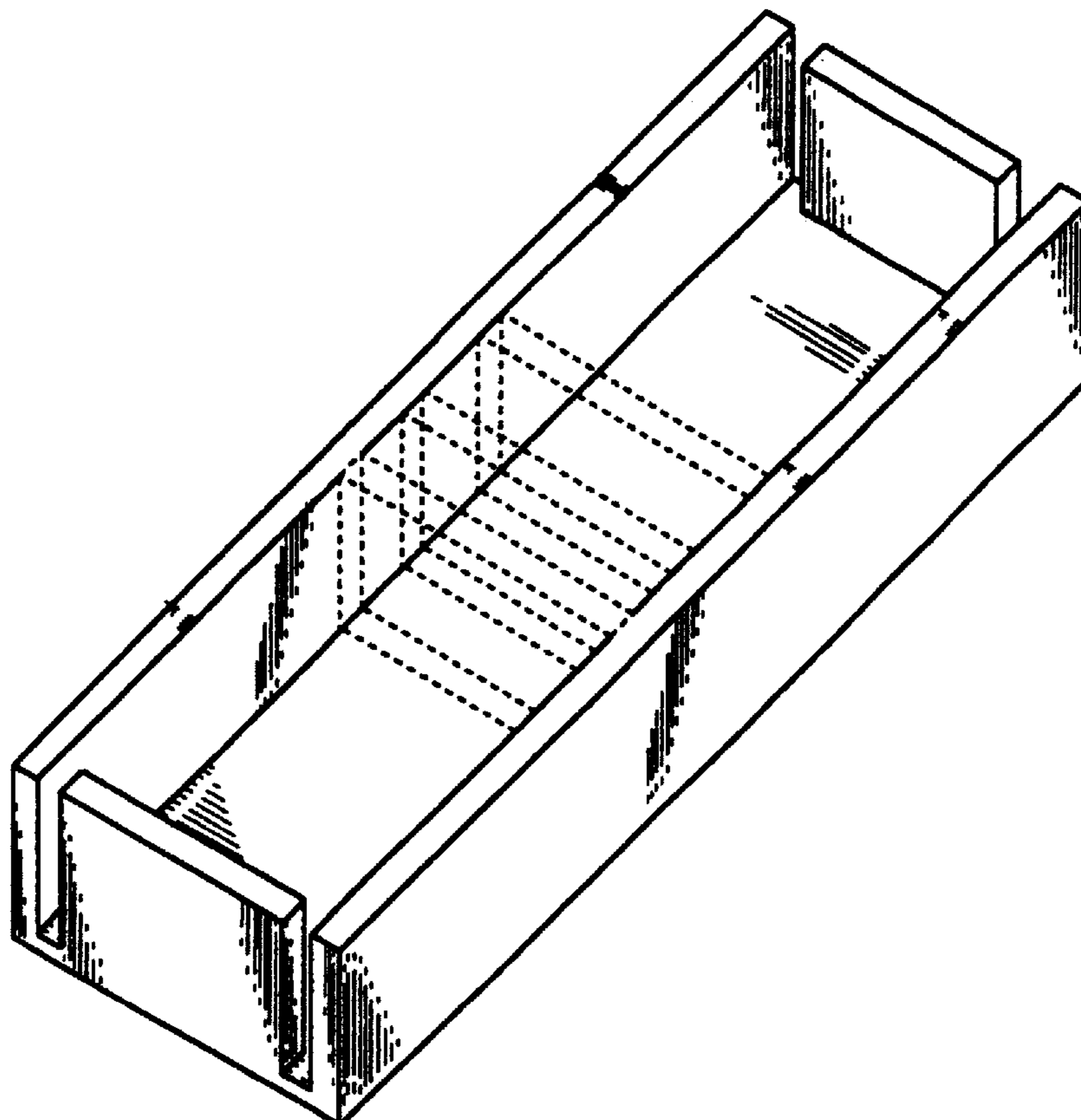
(57) **CLAIM**

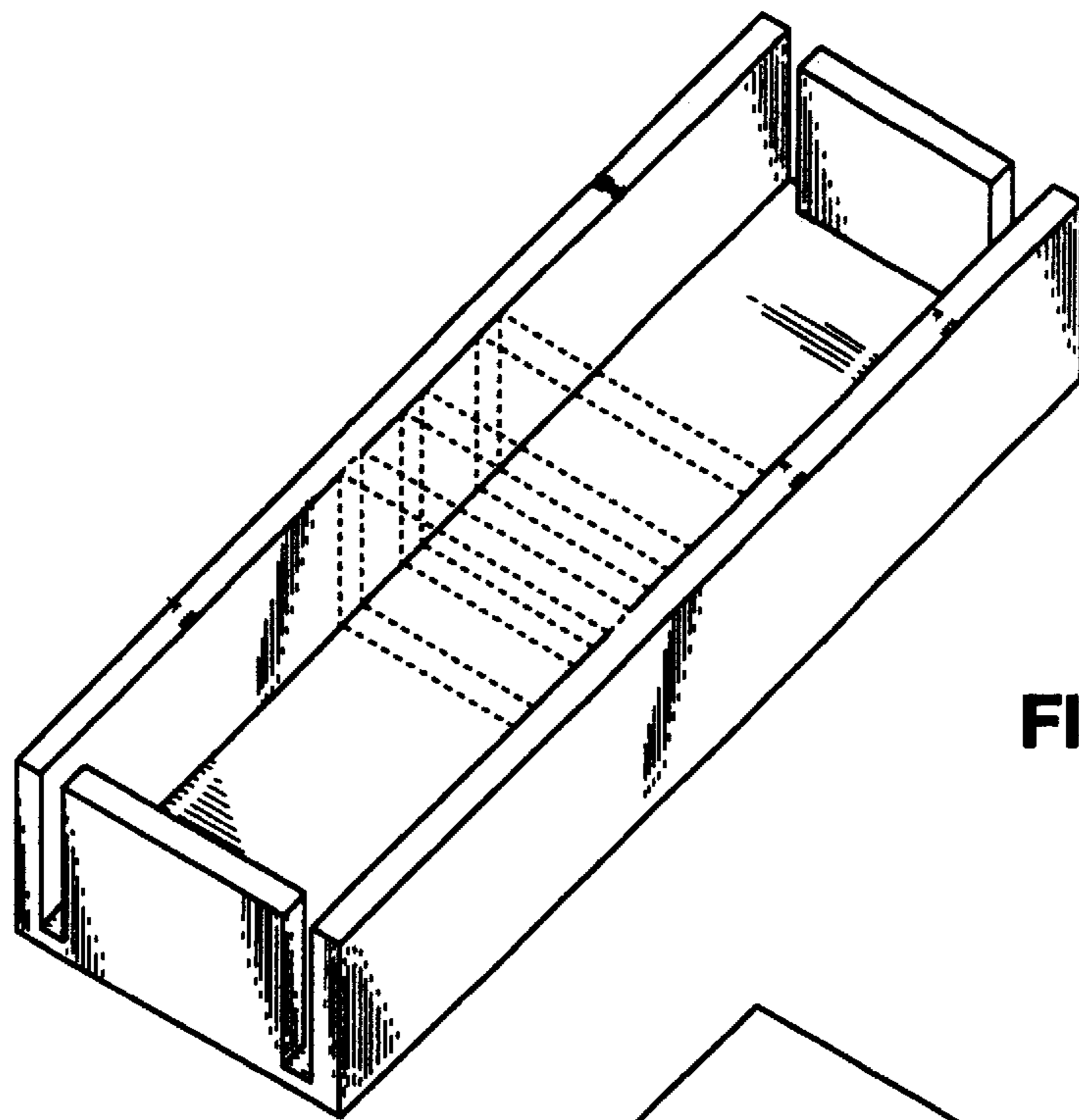
The ornamental design for a micro-audio cassette storage tray, as shown and described.

**DESCRIPTION**

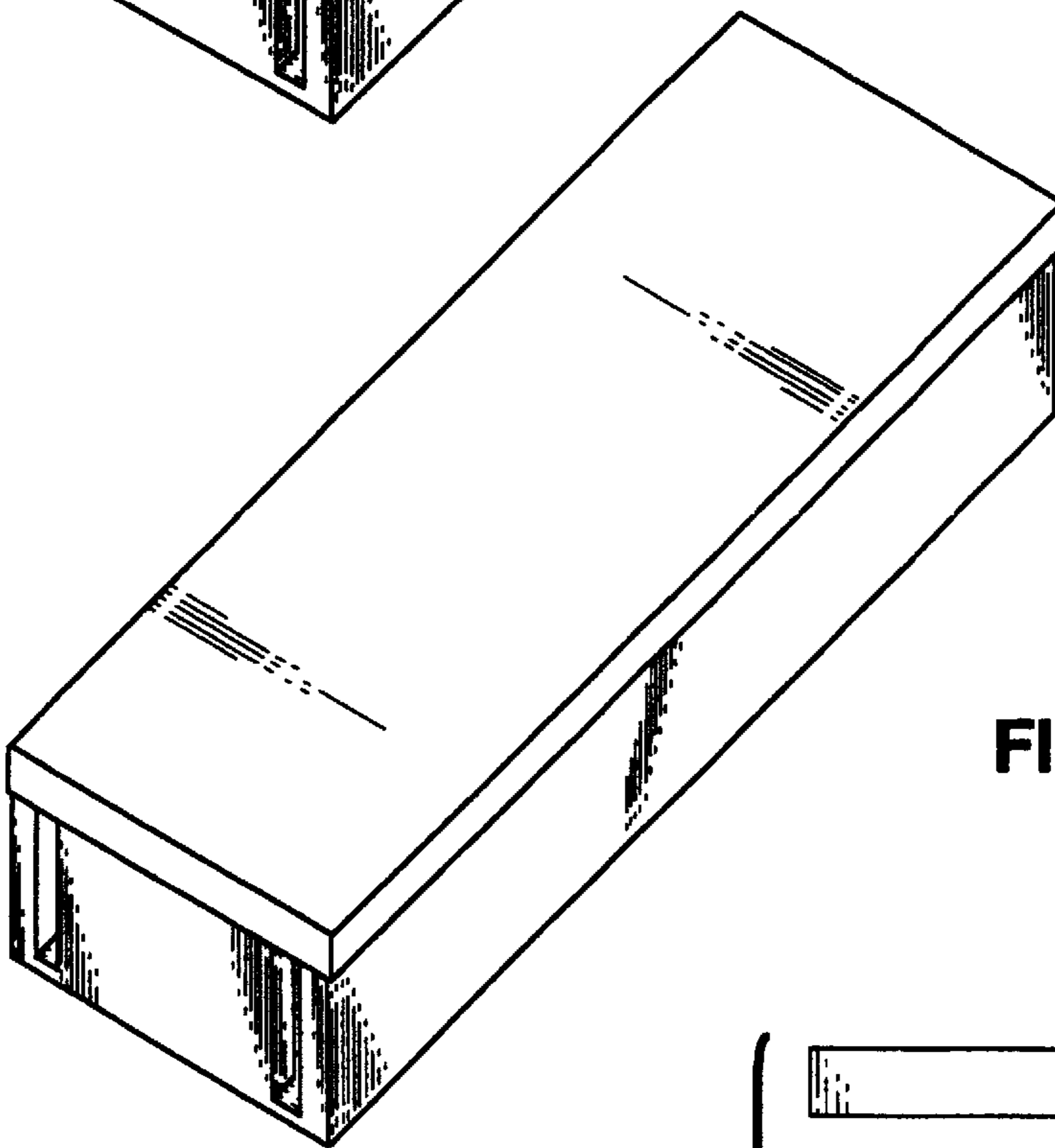
FIG. 1 is a perspective view of the micro-audio cassette storage tray, shown without the removable lid for completeness of illustration;  
FIG. 2 is a perspective view of the micro-audio cassette storage tray illustrating a removable lid disposed thereon; and,  
FIG. 3 is a front view thereof, the back view being a mirror image.  
The micro-audio cassettes shown in broken lines for illustrative purposes only and forms no part of the claimed design.

**1 Claim, 1 Drawing Sheet**

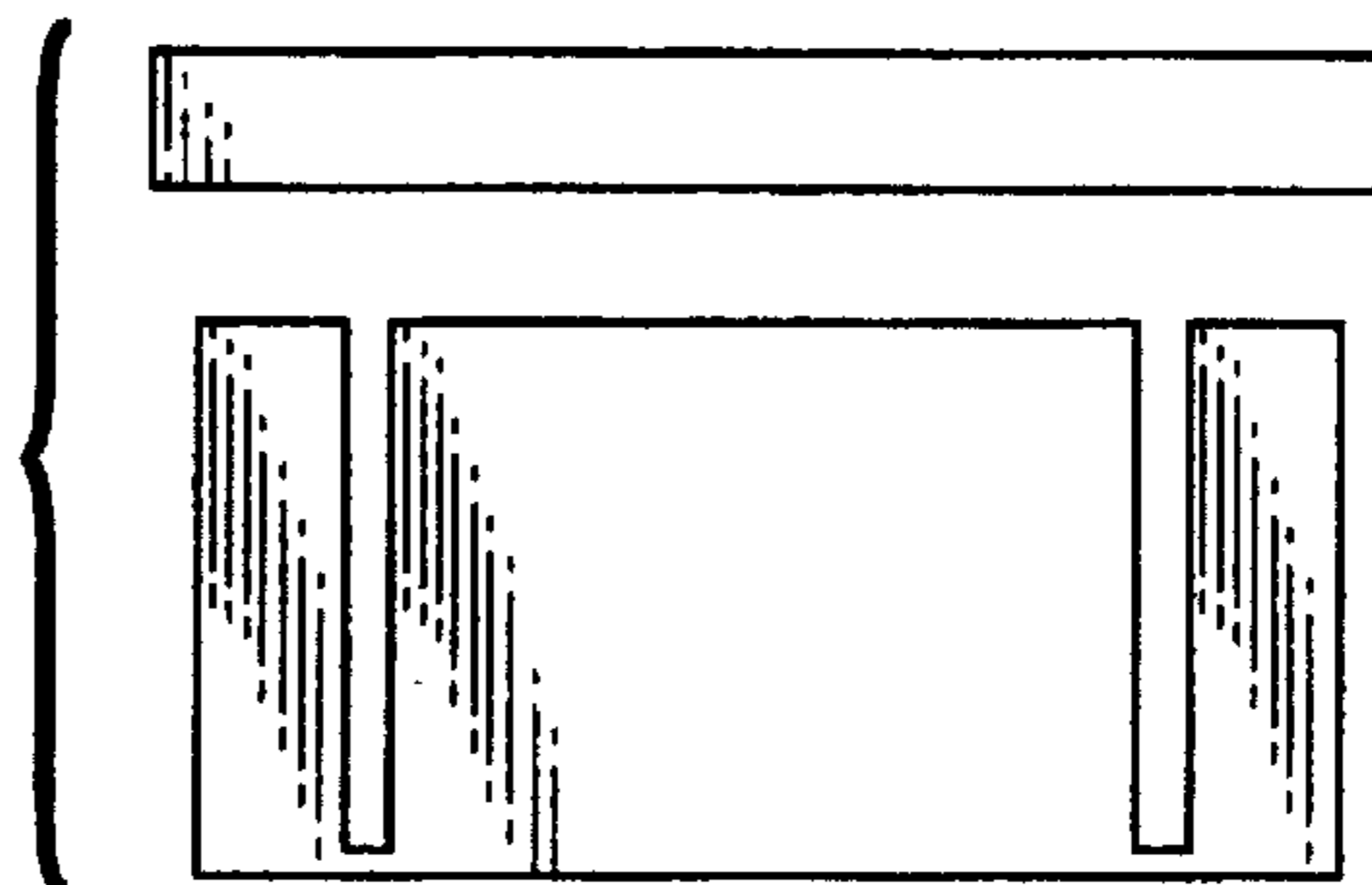




**FIG. 1**



**FIG. 2**



**FIG. 3**