



US00D469971S

(12) **United States Design Patent**  
**Piretti**

(10) **Patent No.:** **US D469,971 S**

(45) **Date of Patent:** **\*\* Feb. 11, 2003**

(54) **CHAIR**

(75) Inventor: **Giancarlo Piretti**, Bologna (IT)

(73) Assignee: **Pro-Cord Spa**, Bologna (IT)

(\*\*) Term: **14 Years**

(21) Appl. No.: **29/158,277**

(22) Filed: **Apr. 3, 2002**

(30) **Foreign Application Priority Data**

Oct. 4, 2001 (IT) ..... TO0100301

(51) **LOC (7) Cl.** ..... **06-01**

(52) **U.S. Cl.** ..... **D6/374; D6/368; D6/380**

(58) **Field of Search** ..... D6/334, 368, 374,  
D6/380, 500, 501, 502; 297/16.1, 56, 60,  
445.1

(56) **References Cited**

**U.S. PATENT DOCUMENTS**

D435,977 S \* 1/2001 Ambasz ..... D6/368

D436,457 S \* 1/2001 Ambasz ..... D6/368

D446,661 S \* 8/2001 Ambasz ..... D6/368

D447,353 S \* 9/2001 Peloquin ..... D6/368

D452,619 S \* 1/2002 Piretti ..... D6/368

\* cited by examiner

*Primary Examiner*—Gary D. Watson

(74) *Attorney, Agent, or Firm*—Sughrue Mion, PLLC

(57) **CLAIM**

The ornamental design for a chair, as shown.

**DESCRIPTION**

FIG. 1 is a perspective view of the front, bottom and right side of a chair showing my new design;

FIG. 2 is a left side elevational view thereof;

FIG. 3 is a front elevational view thereof;

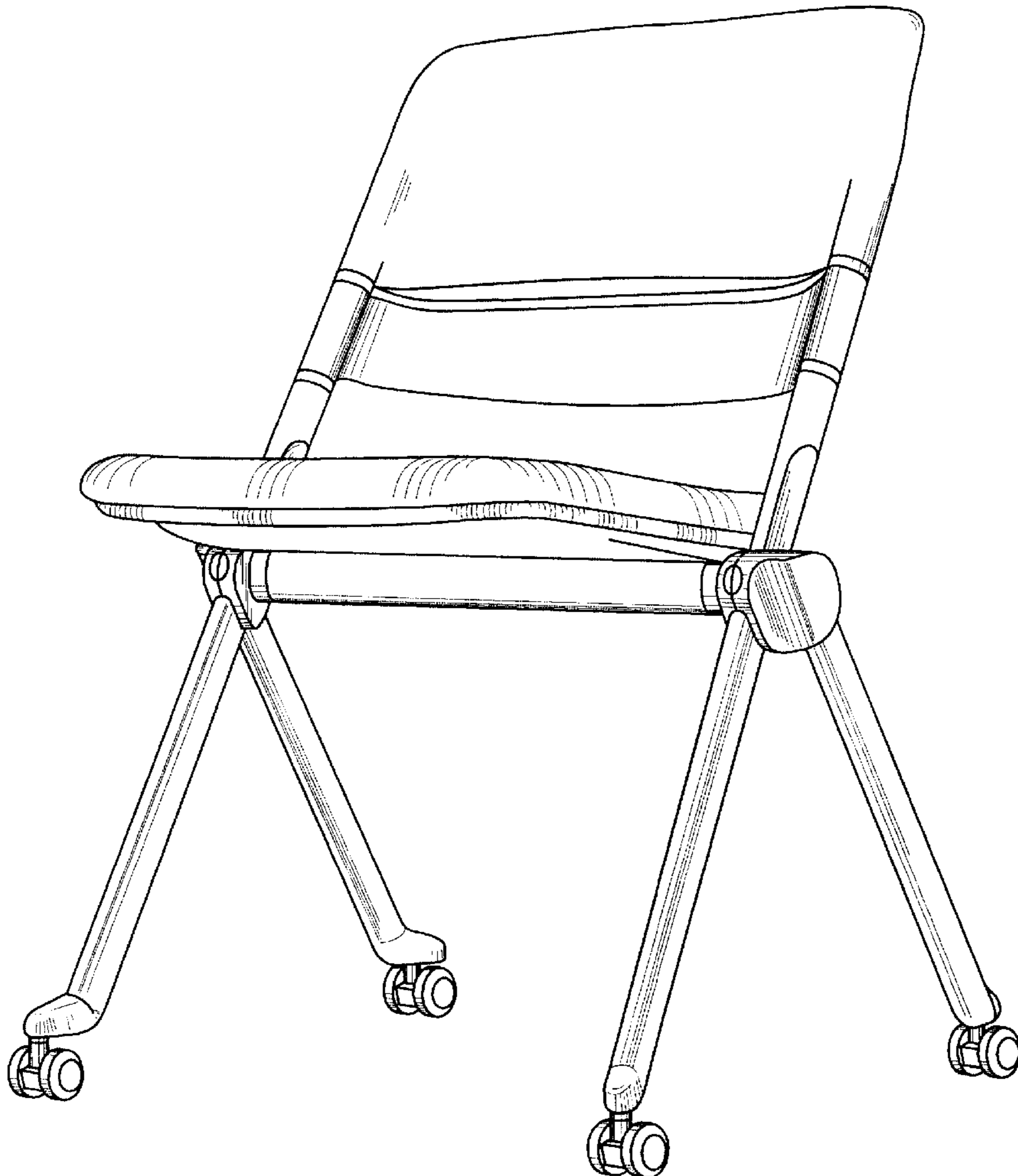
FIG. 4 is a right side elevational view thereof;

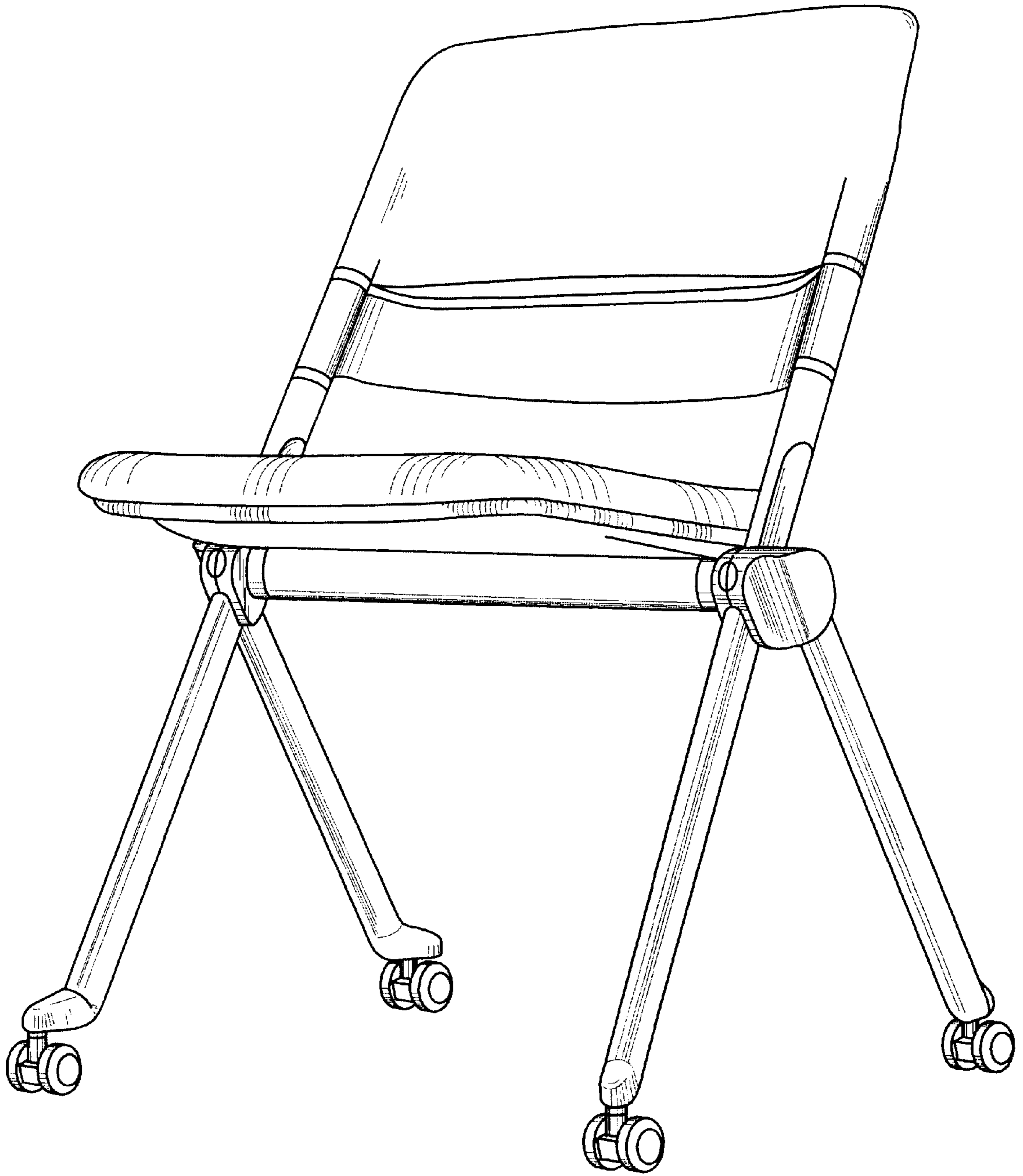
FIG. 5 is a rear elevational view thereof;

FIG. 6 is a bottom plan view thereof; and,

FIG. 7 is a top plan view thereof.

**1 Claim, 4 Drawing Sheets**





*Fig. 1*

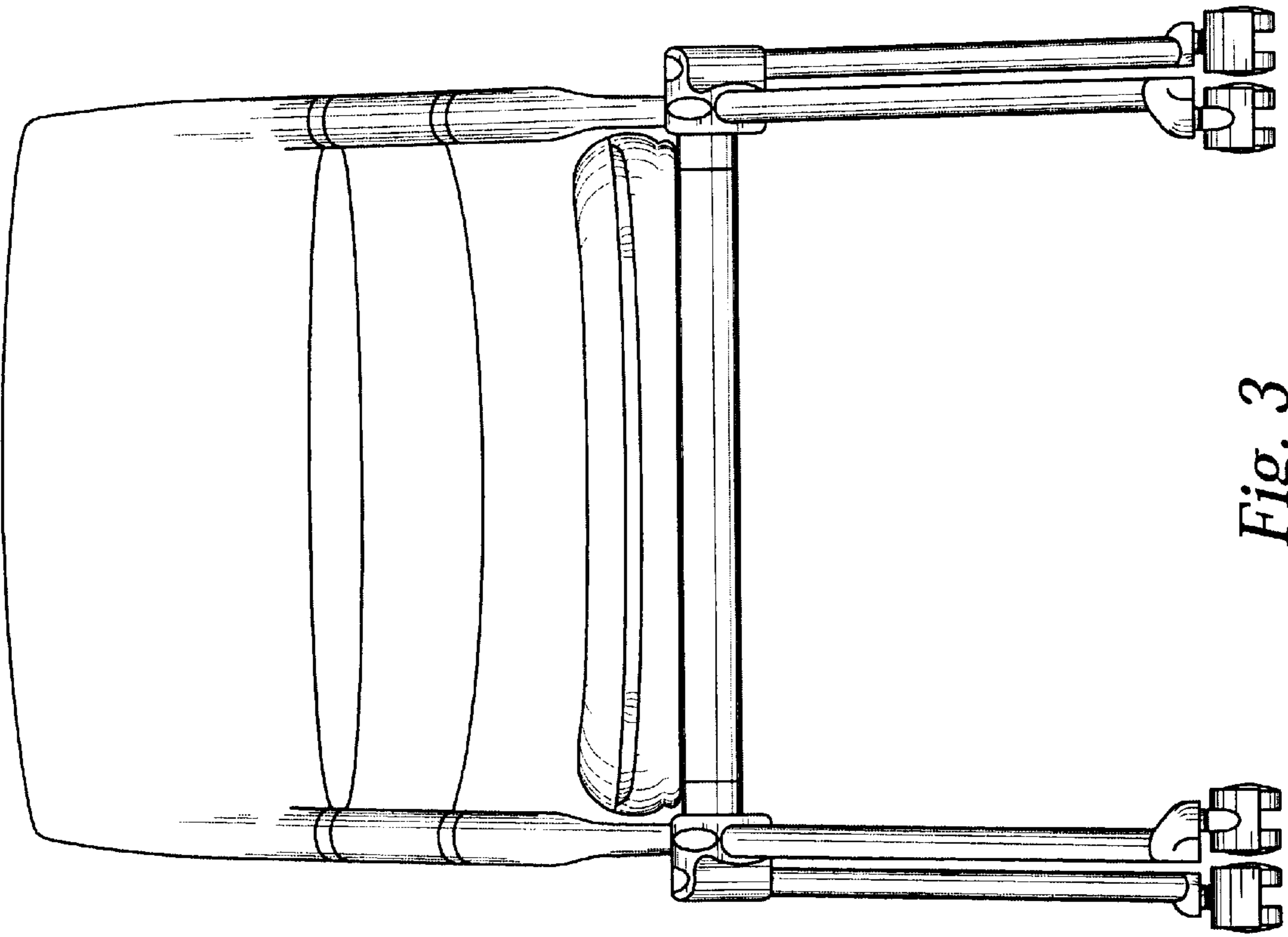


Fig. 3

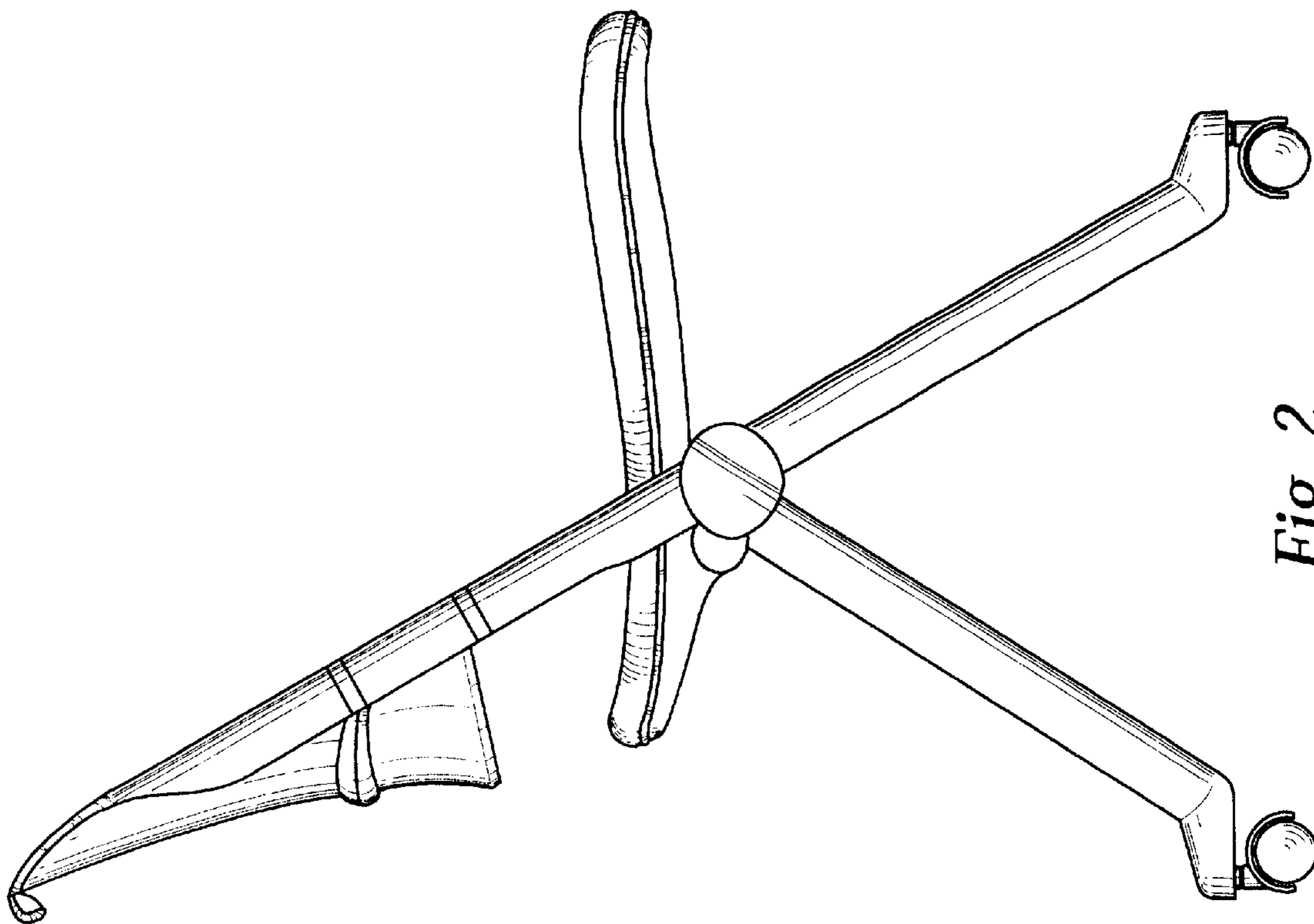


Fig. 2

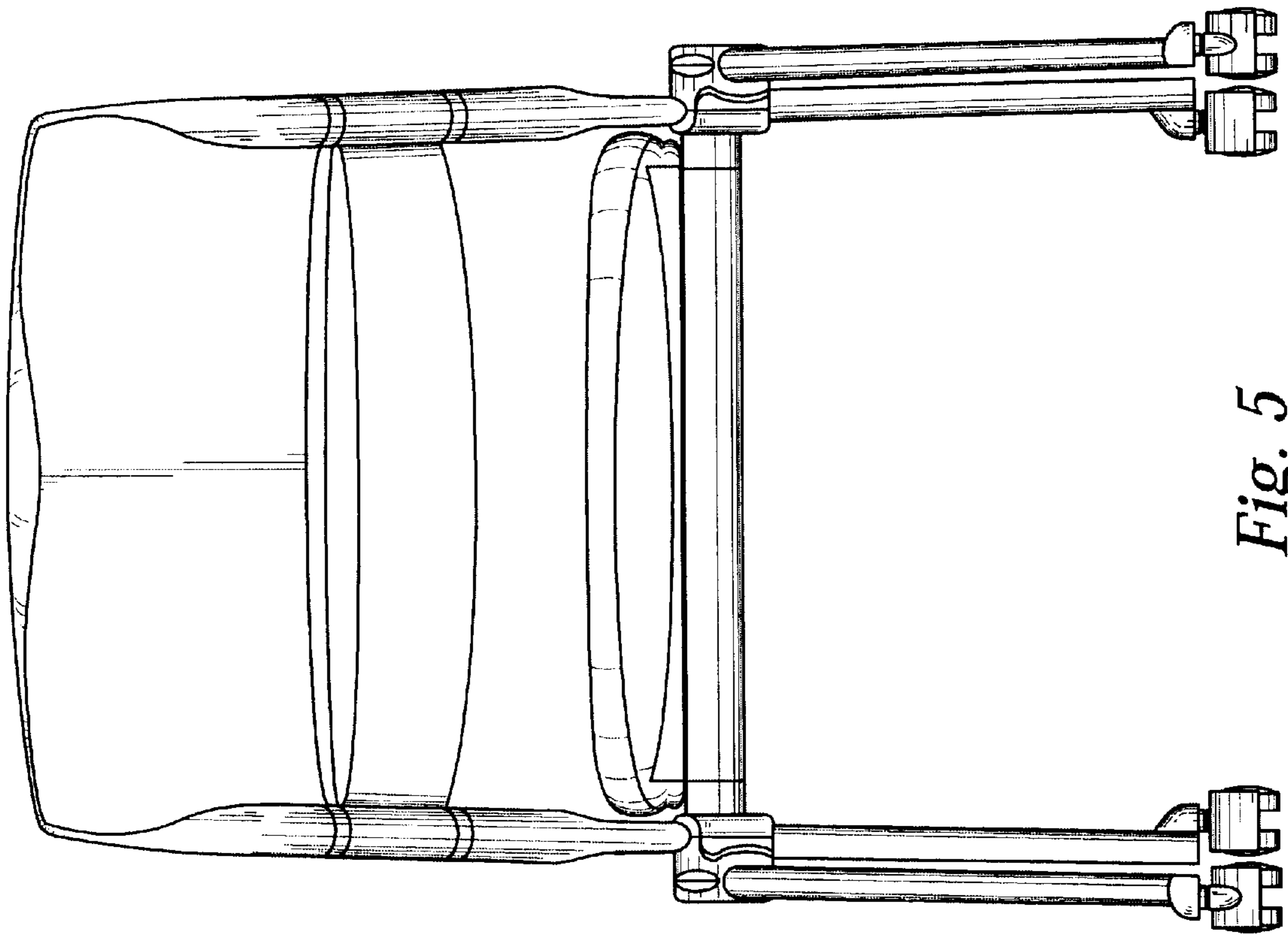


Fig. 5

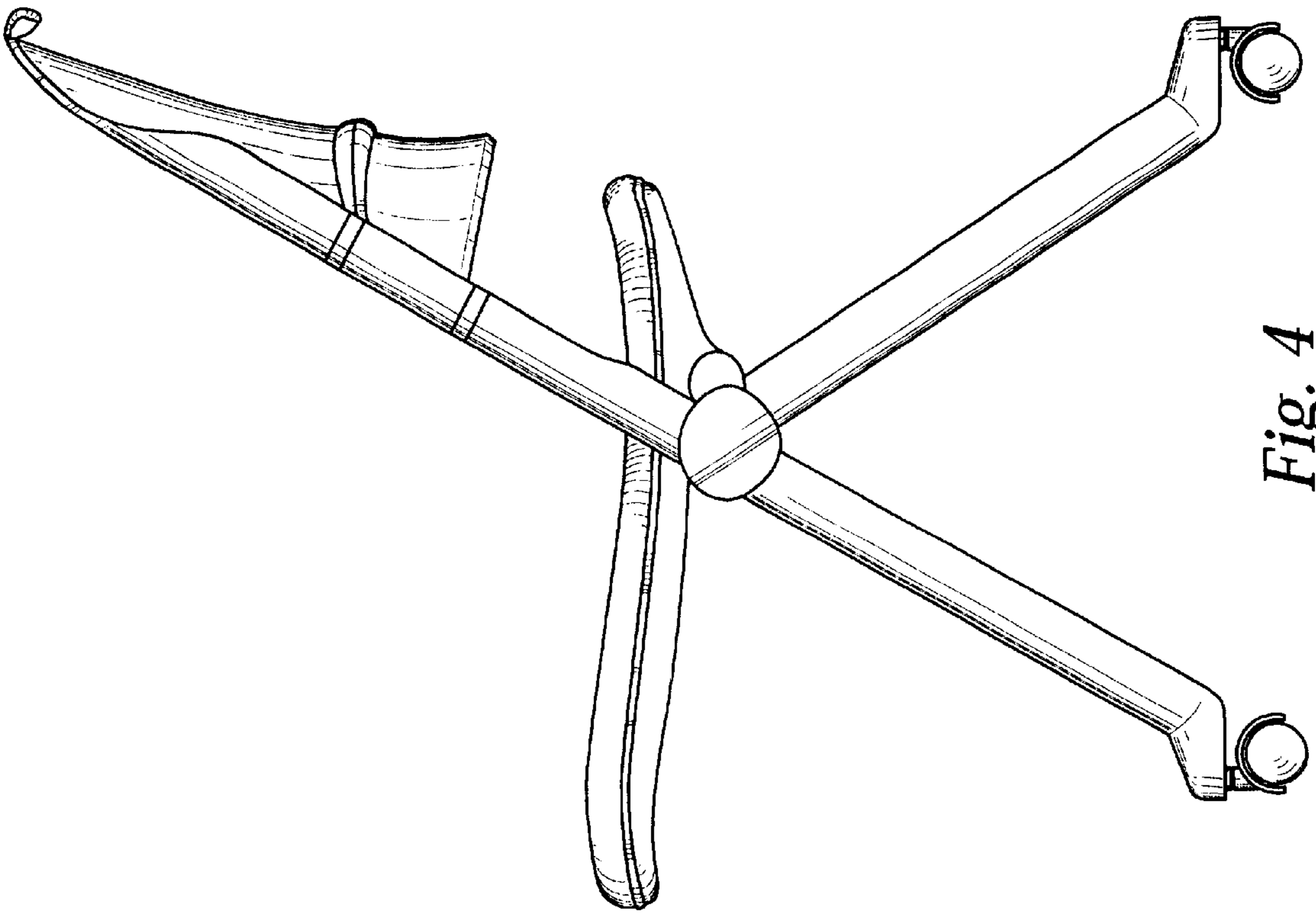
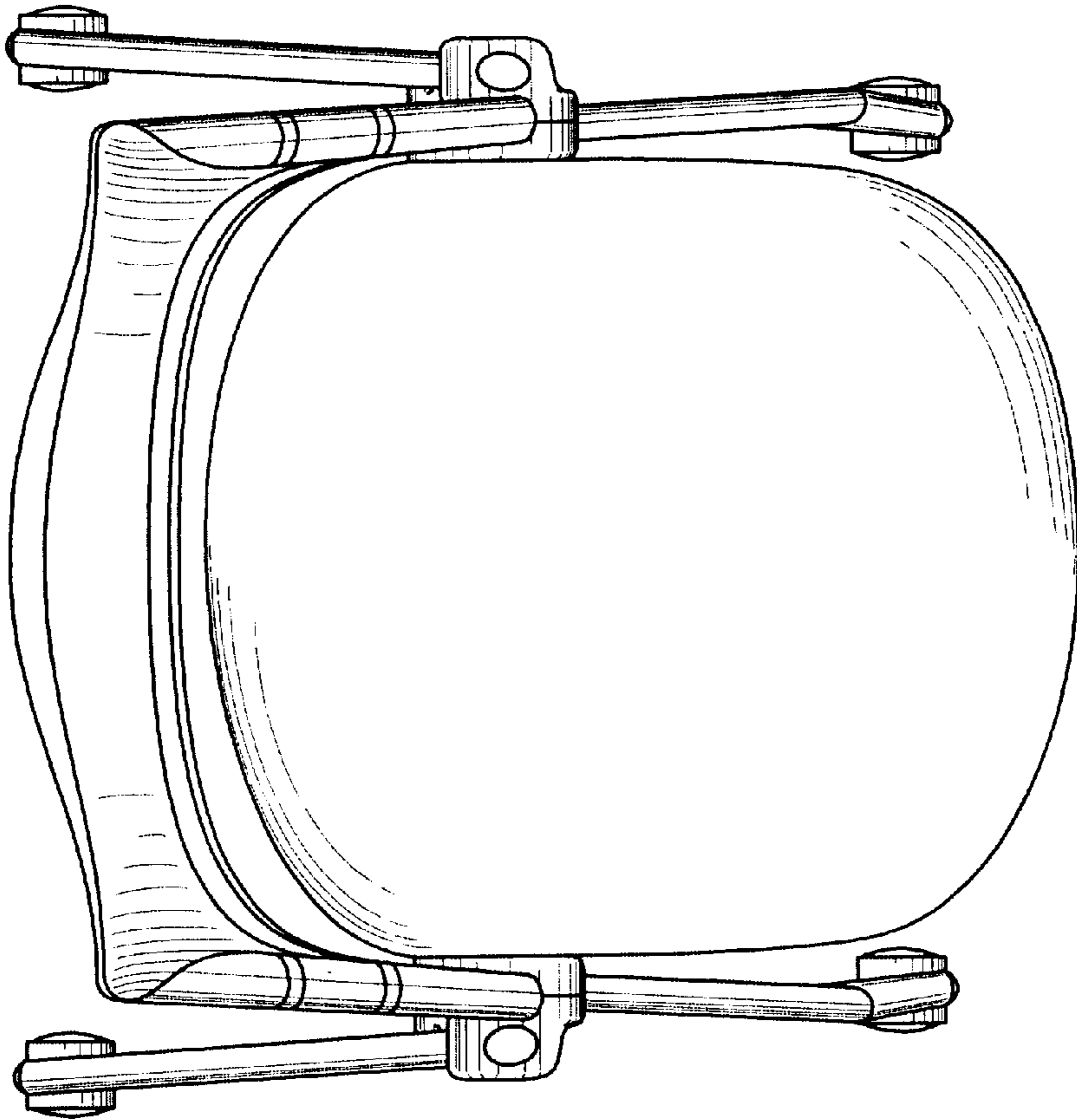
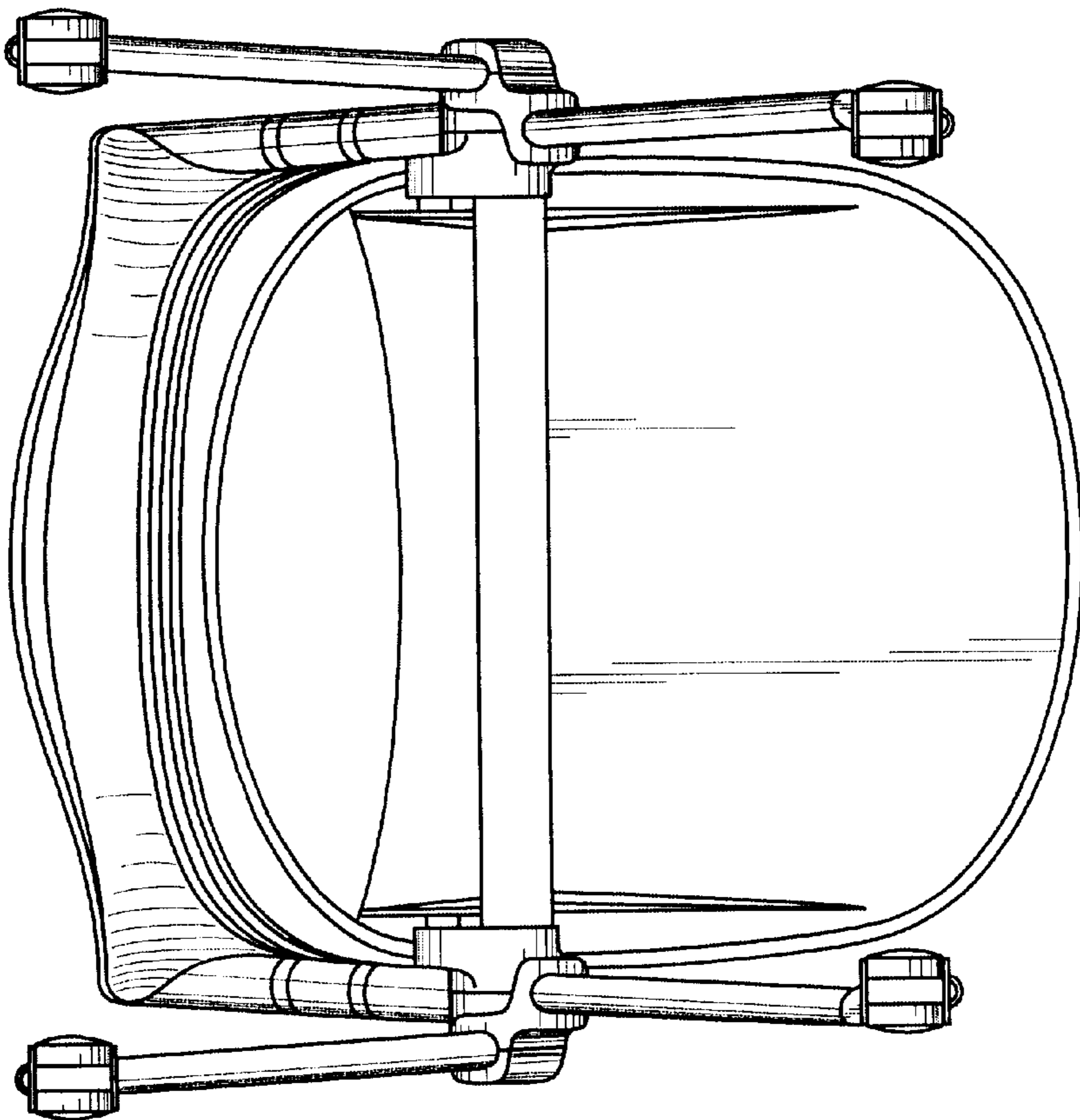


Fig. 4



*Fig. 7*



*Fig. 6*