



US00D469970S

(12) **United States Design Patent**
Molteni

(10) **Patent No.:** **US D469,970 S**

(45) **Date of Patent:** **** Feb. 11, 2003**

(54) **CHAIR WITHOUT ARMS**

(75) Inventor: **Daniele Molteni**, Cantu' (IT)

(73) Assignee: **B.Z.B. _ SPA**, Camerano (IT)

(**) Term: **14 Years**

(21) Appl. No.: **29/151,536**

(22) Filed: **Nov. 13, 2001**

(51) **LOC (7) Cl.** **06-01**

(52) **U.S. Cl.** **D6/374**

(58) **Field of Search** D6/334, 374, 375,
D6/379, 380, 500, 501, 502; 297/239, 445.1

(56) **References Cited**

U.S. PATENT DOCUMENTS

D174,927 S	*	6/1955	Shannon	D6/375
D219,032 S	*	10/1970	Christenson, Jr.	D6/374
D256,970 S	*	9/1980	Cassina	D6/334
D336,795 S	*	6/1993	Rowe et al.	D6/380
D357,594 S	*	4/1995	Kellen	D6/374
D390,026 S	*	2/1998	Blecher	D6/375

D396,563 S * 8/1998 Meijer D6/334

D449,459 S * 10/2001 Diez Mintegi D6/374

D458,467 S * 6/2002 Starck D6/374

* cited by examiner

Primary Examiner—Gary D. Watson

(74) *Attorney, Agent, or Firm*—Armstrong, Westerman & Hattori, LLP

(57) **CLAIM**

The ornamental design for a chair without arms, as shown.

DESCRIPTION

FIG. 1 is a left perspective view of a chair without arms, showing my new design.

FIG. 2 is a right perspective view thereof.

FIG. 3 is a front elevational view thereof.

FIG. 4 is a rear elevational view thereof.

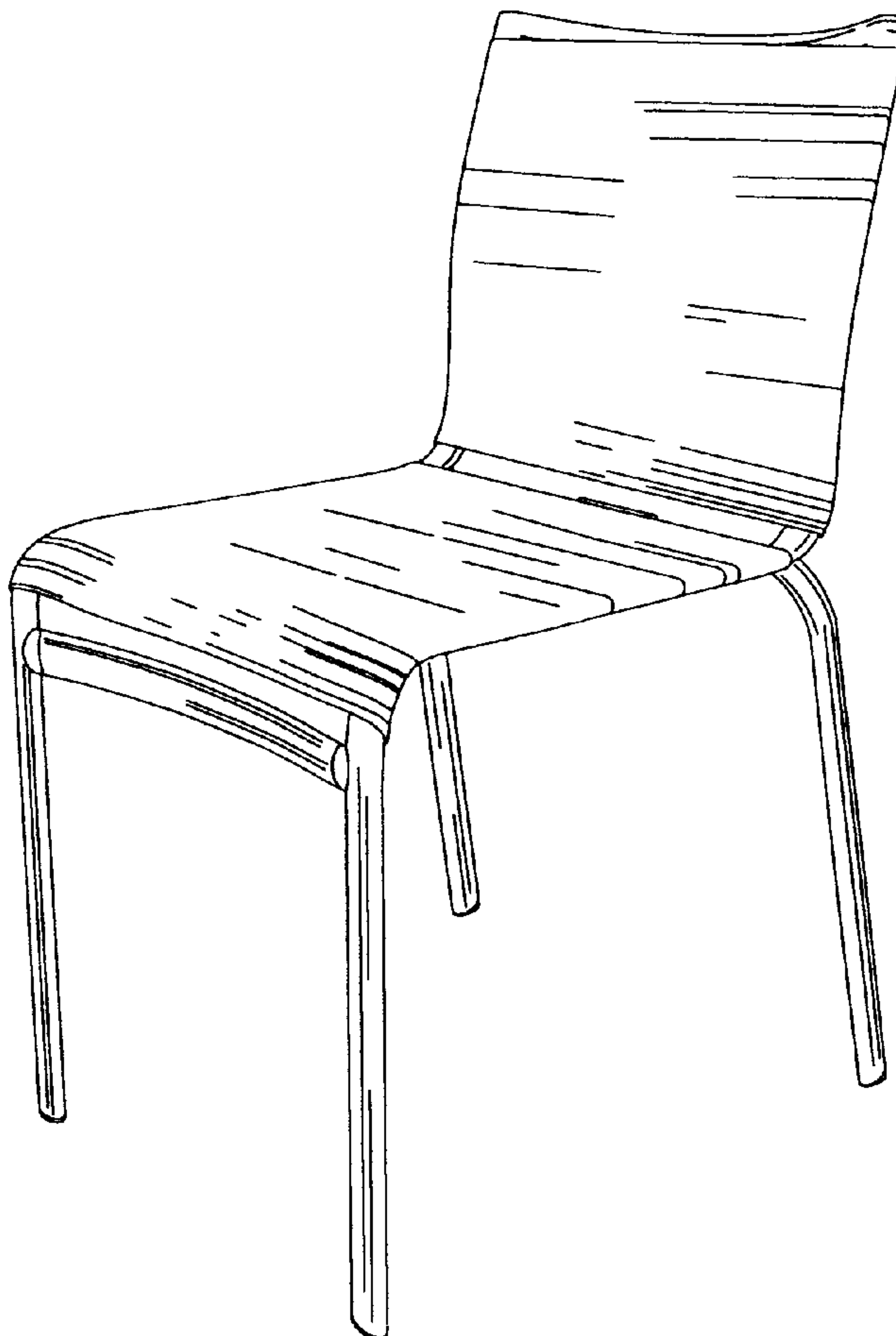
FIG. 5 is a right side elevational view thereof.

FIG. 6 is a left side elevational view thereof.

FIG. 7 is a top plan elevational view thereof; and,

FIG. 8 is a bottom plan elevational view thereof.

1 Claim, 4 Drawing Sheets



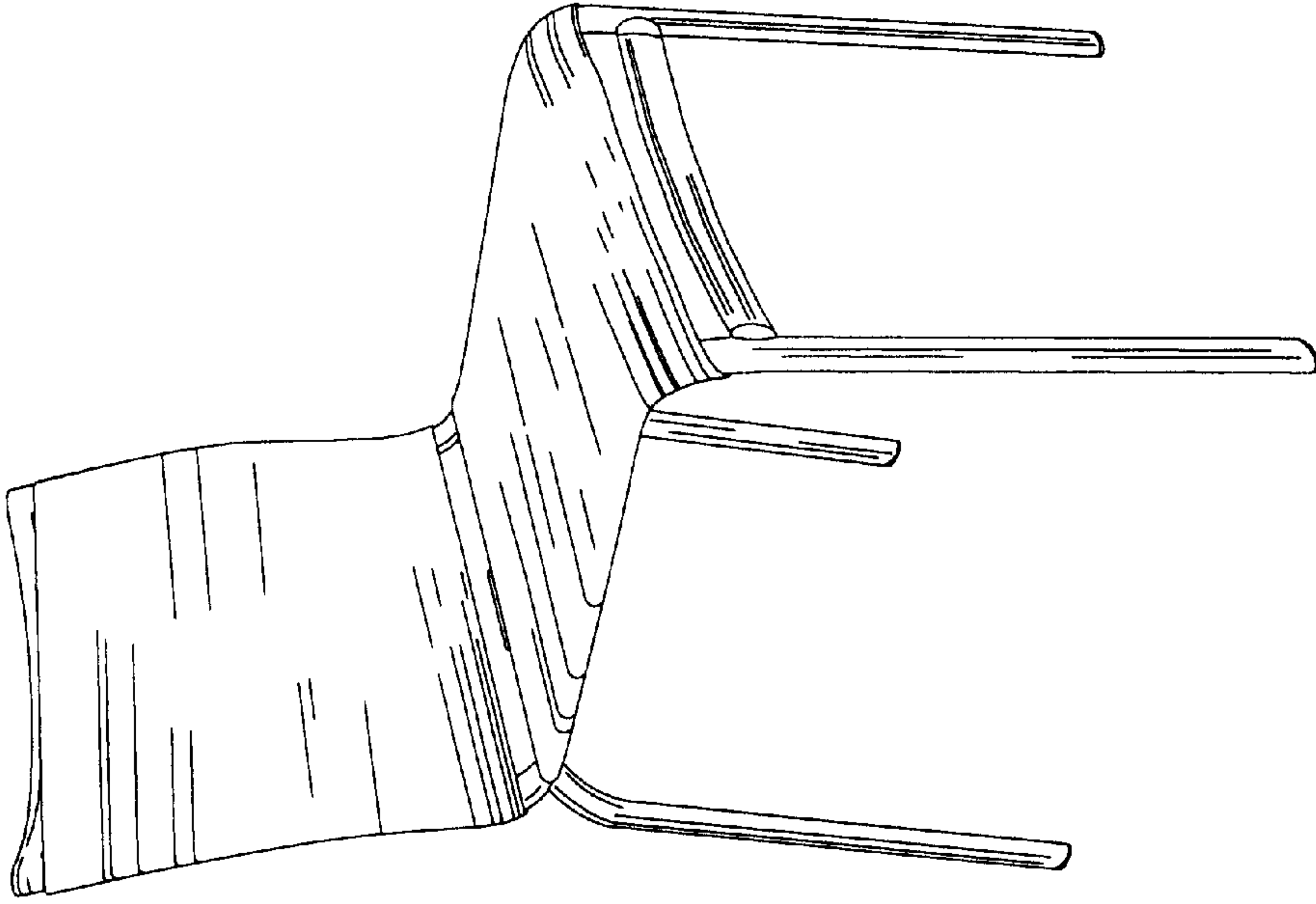


Fig. 2

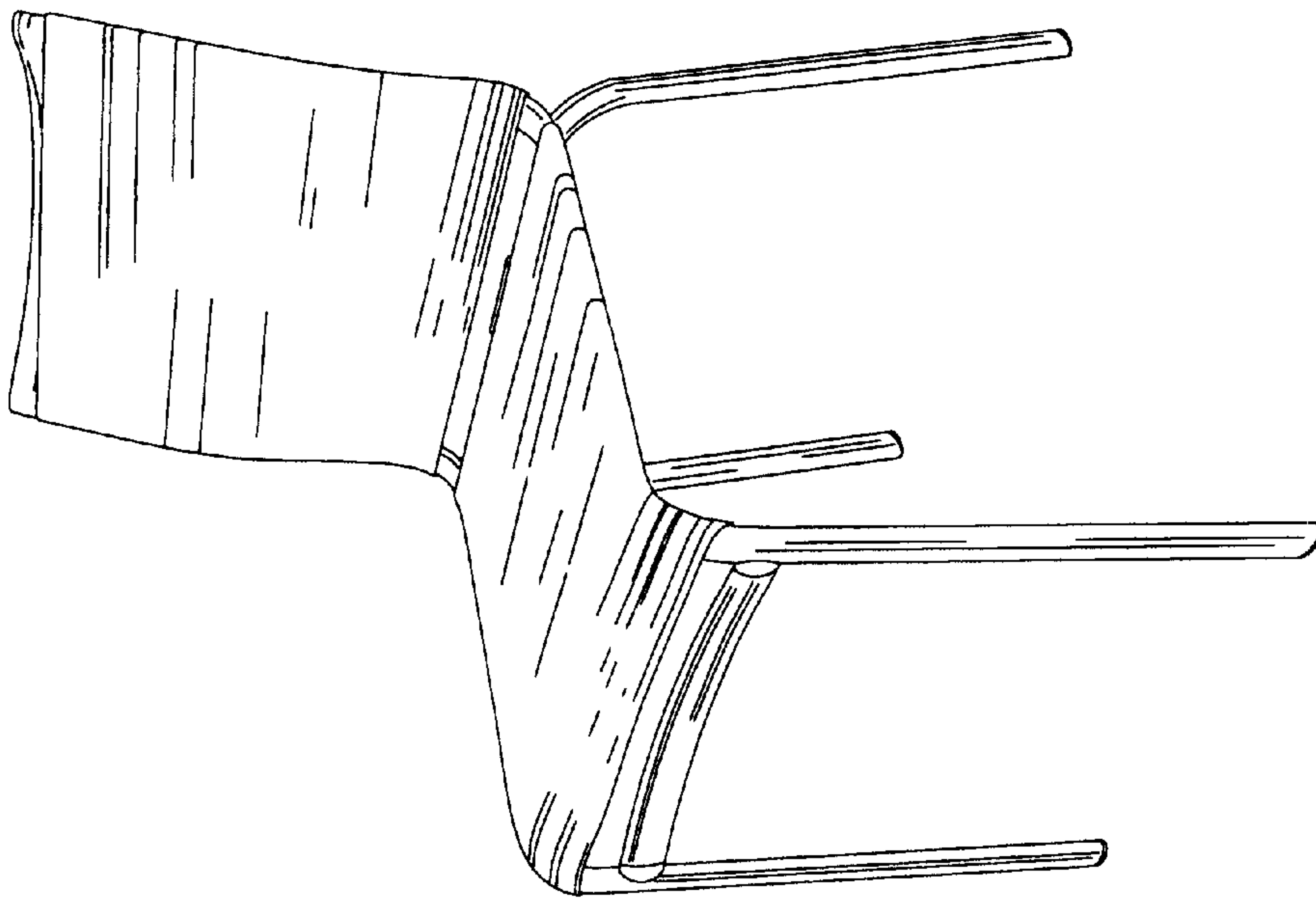


Fig. 1

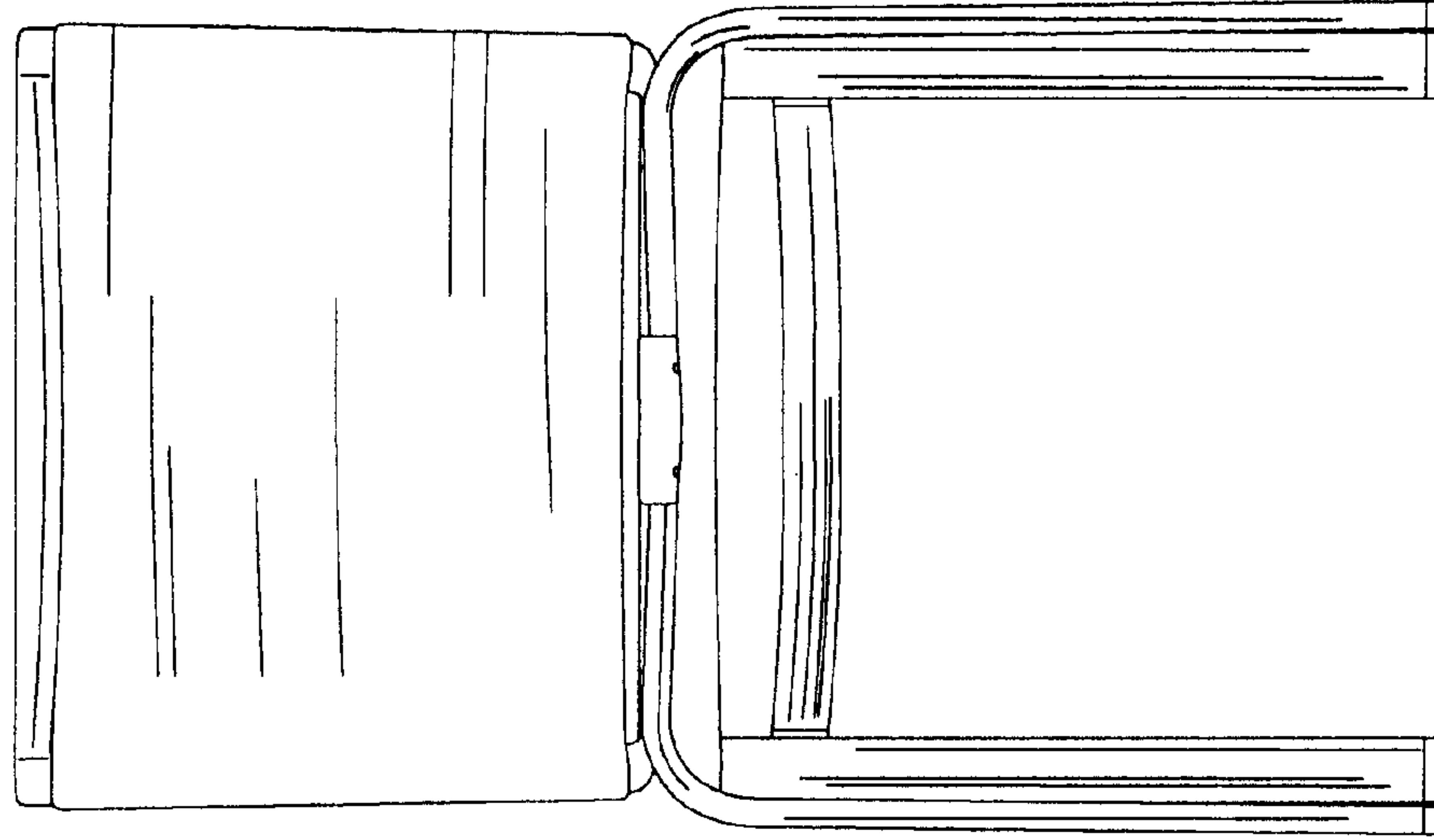


Fig. 3

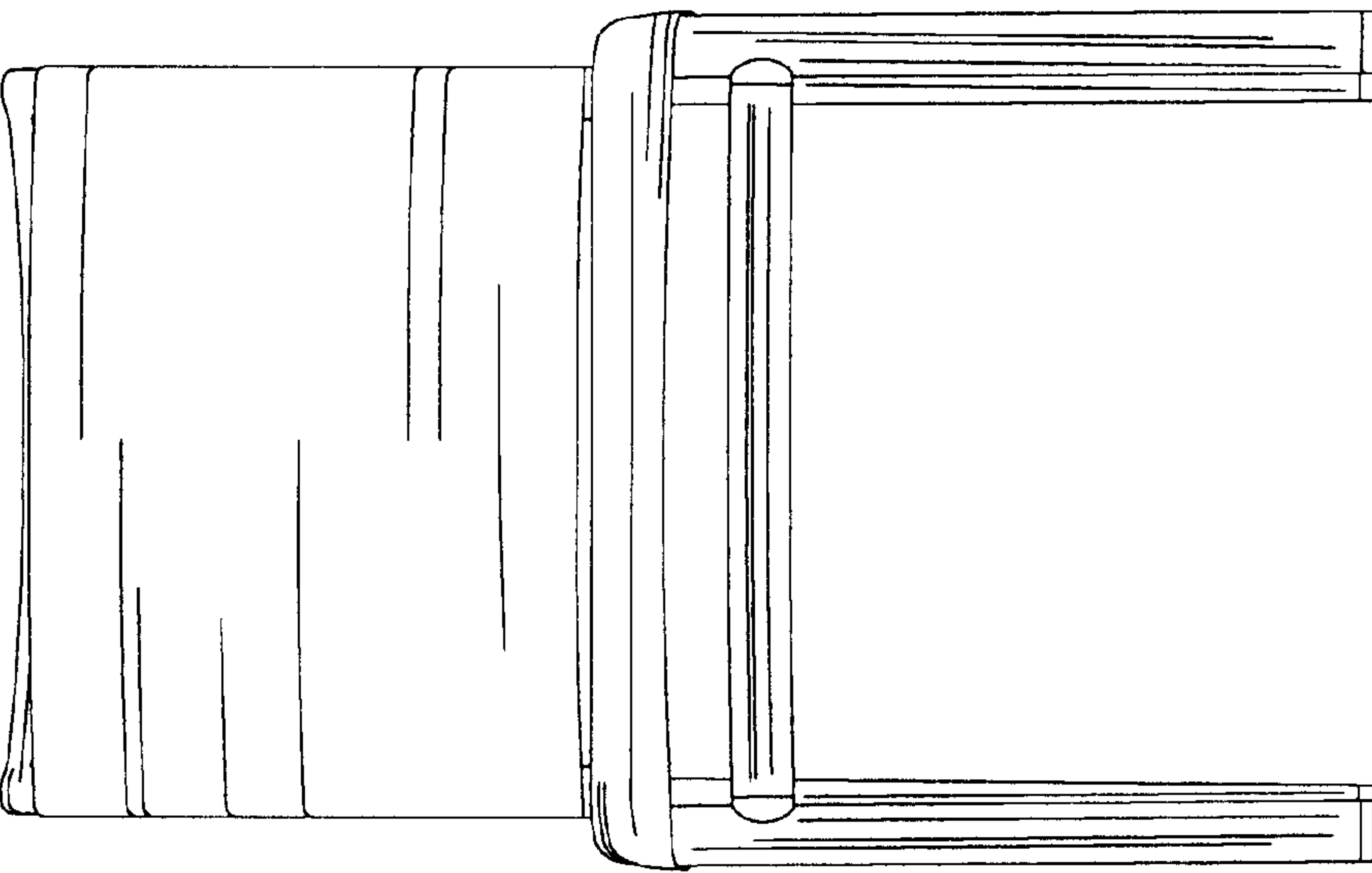


Fig. 4

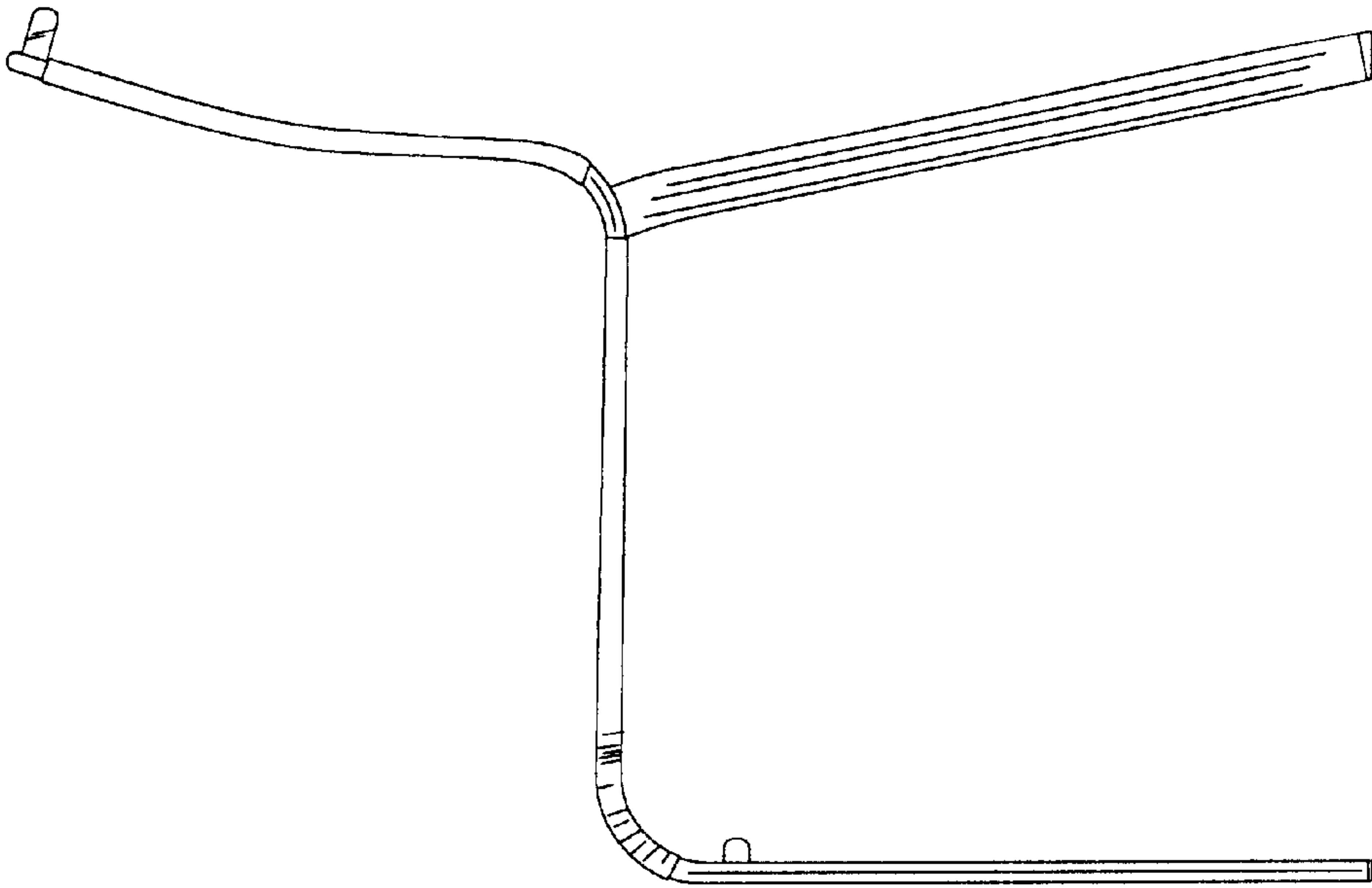


Fig. 5

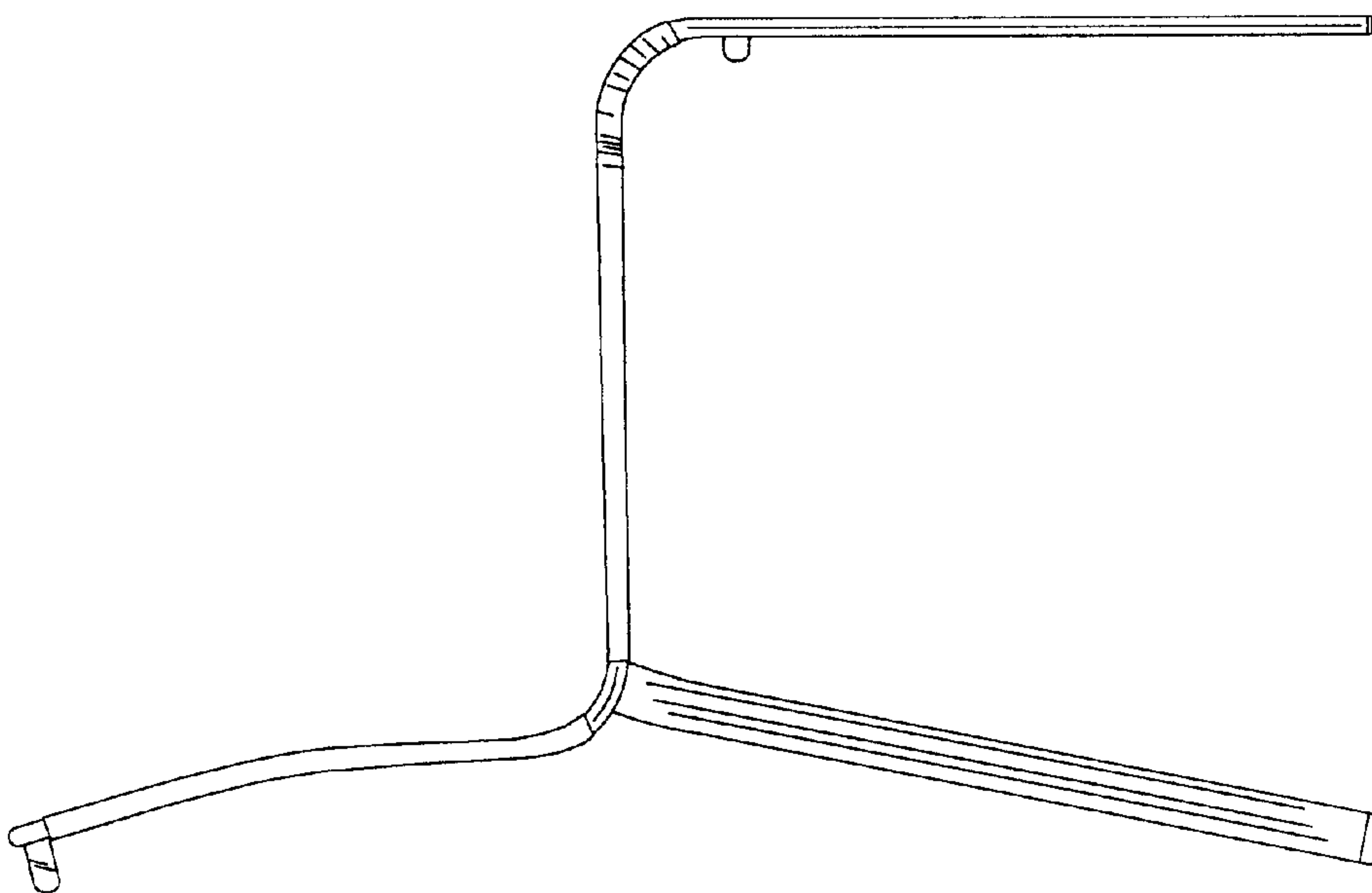


Fig. 6

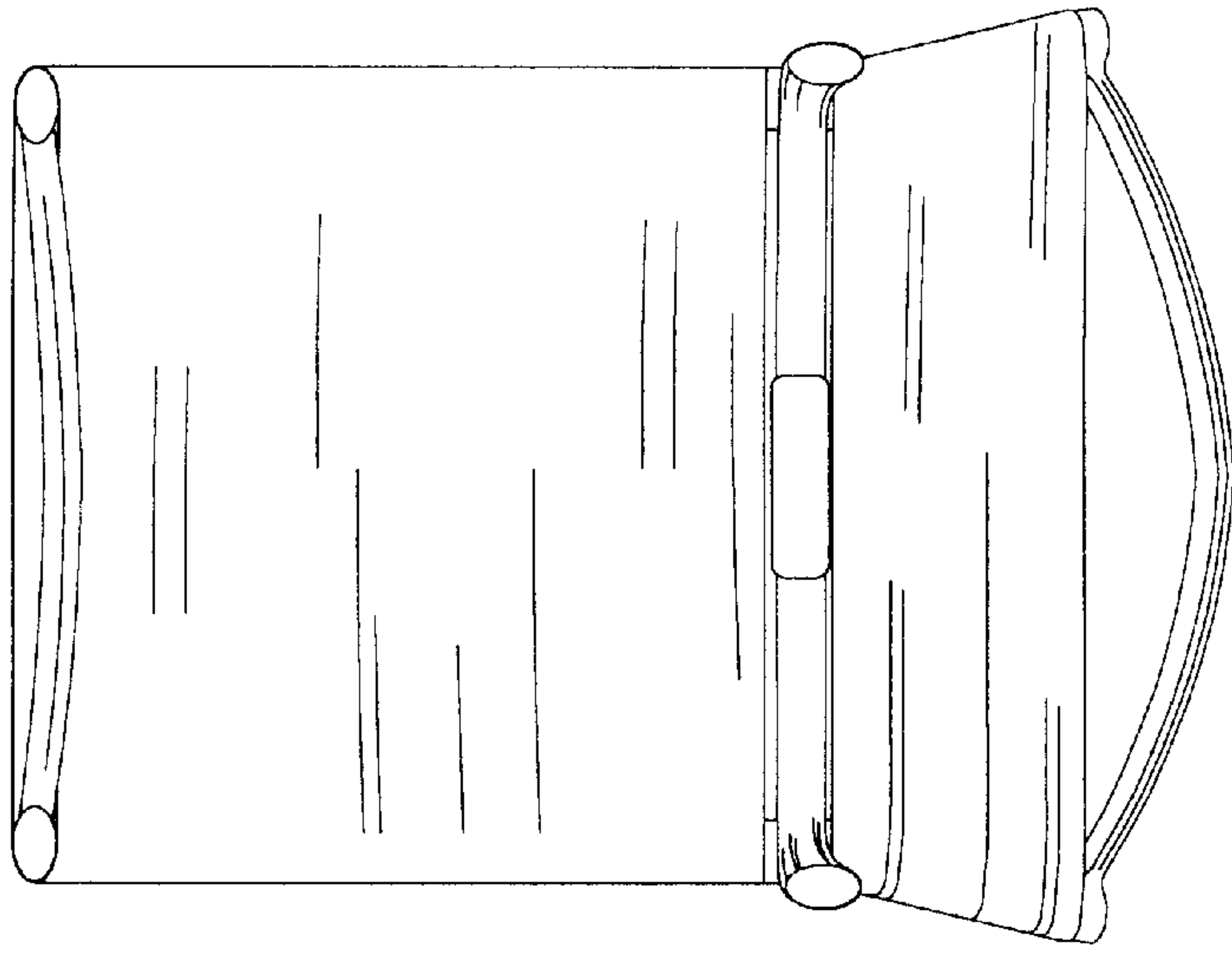


Fig. 7

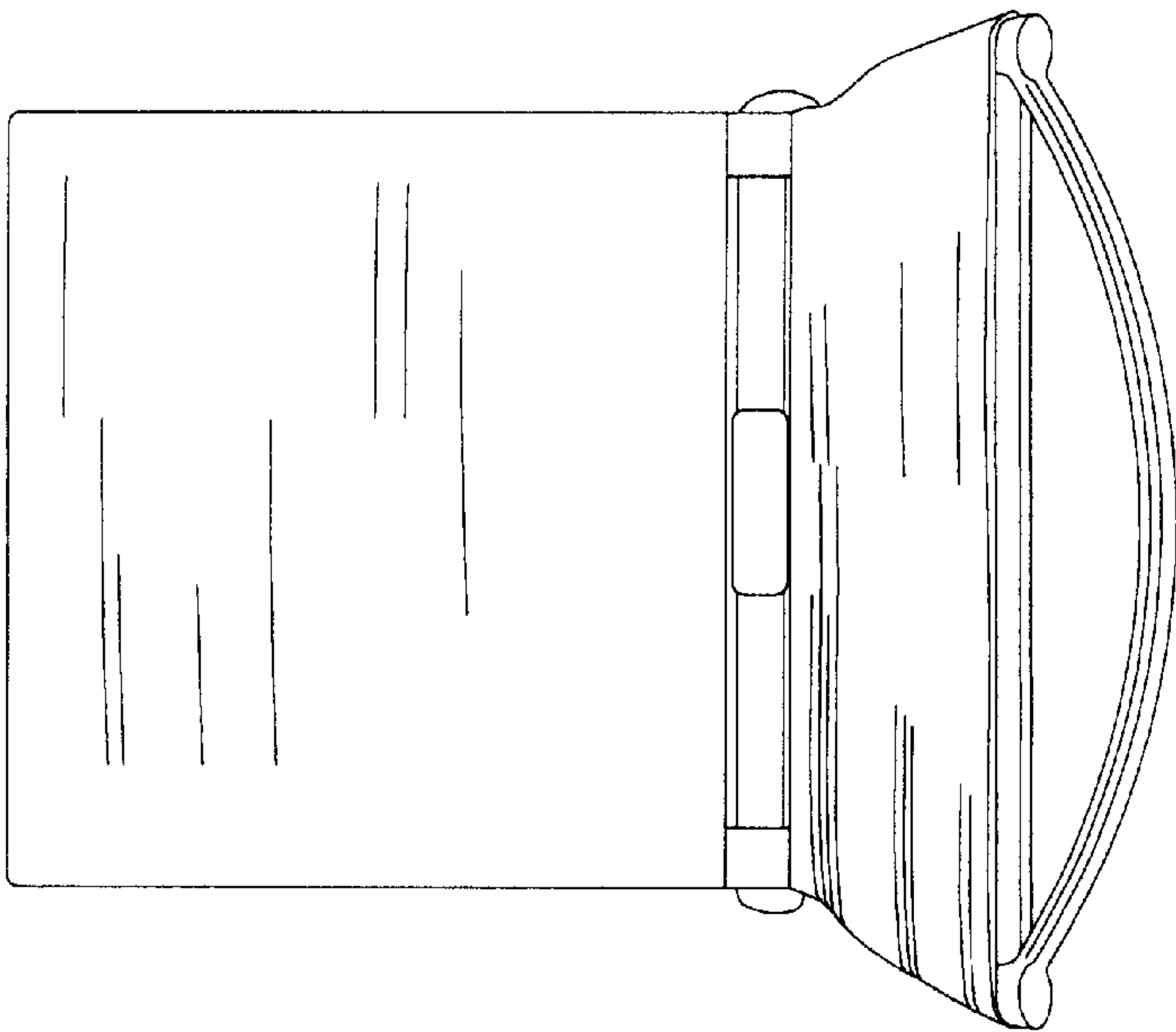


Fig. 8