



US00D469965S

(12) **United States Design Patent**
Vu

(10) **Patent No.:** **US D469,965 S**

(45) **Date of Patent:** **** Feb. 11, 2003**

- (54) **SEAT**
- (75) **Inventor:** **Hank H Vu, San Francisco, CA (US)**
- (73) **Assignee:** **American West Furniture
Manufacturers Inc., Orange, CA (US)**
- (**) **Term:** **14 Years**
- (21) **Appl. No.:** **29/140,358**
- (22) **Filed:** **Apr. 17, 2001**
- (51) **LOC (7) Cl.** **06-01**
- (52) **U.S. Cl.** **D6/355**
- (58) **Field of Search** D6/334, 335, 349,
D6/355, 361, 377, 381, 500-502; 297/232,
423.1, 461, 462; 5/12.1

- 4,437,704 A * 3/1984 Hovseplans 5/12.1
- 5,517,706 A * 5/1996 Kashima et al. 5/12.1

OTHER PUBLICATIONS

URBANA, the Mekka chaise, p. 52, Furniture Today catalog, Apr. 30, 2001.*

* cited by examiner

Primary Examiner—Doris V. Coles

Assistant Examiner—Mimosa De

(57) **CLAIM**

The ornamental design for a seat, as shown and described.

DESCRIPTION

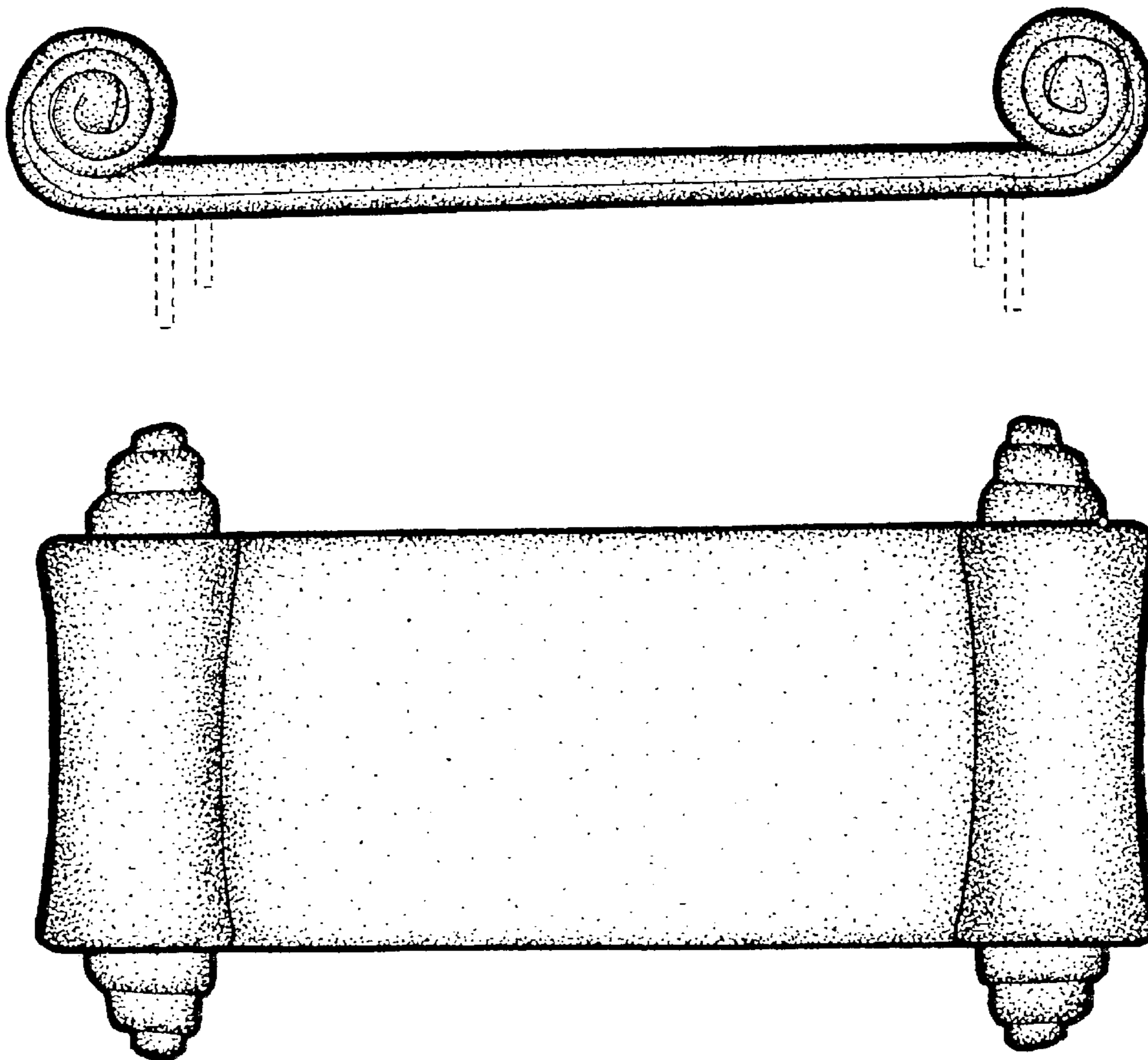
FIG. 1 is a front elevational view of a seat showing my new design, the rear side view is a mirror image; FIG. 2 is a right side elevational view of the seat shown in FIG. 1, the left side view is a mirror image; and, FIG. 3 is a top plan view of the seat shown in FIG. 1. The seat's legs are represented in dotted lines because they are purely functional and are not part of my design.

(56) **References Cited**

U.S. PATENT DOCUMENTS

- D73,733 S * 10/1927 Yaremenko D6/381
- D87,577 S * 8/1932 Hoey D6/355
- D96,013 S * 6/1935 Bowersox D6/349
- D96,014 S * 6/1935 Bowersox D6/349

1 Claim, 3 Drawing Sheets



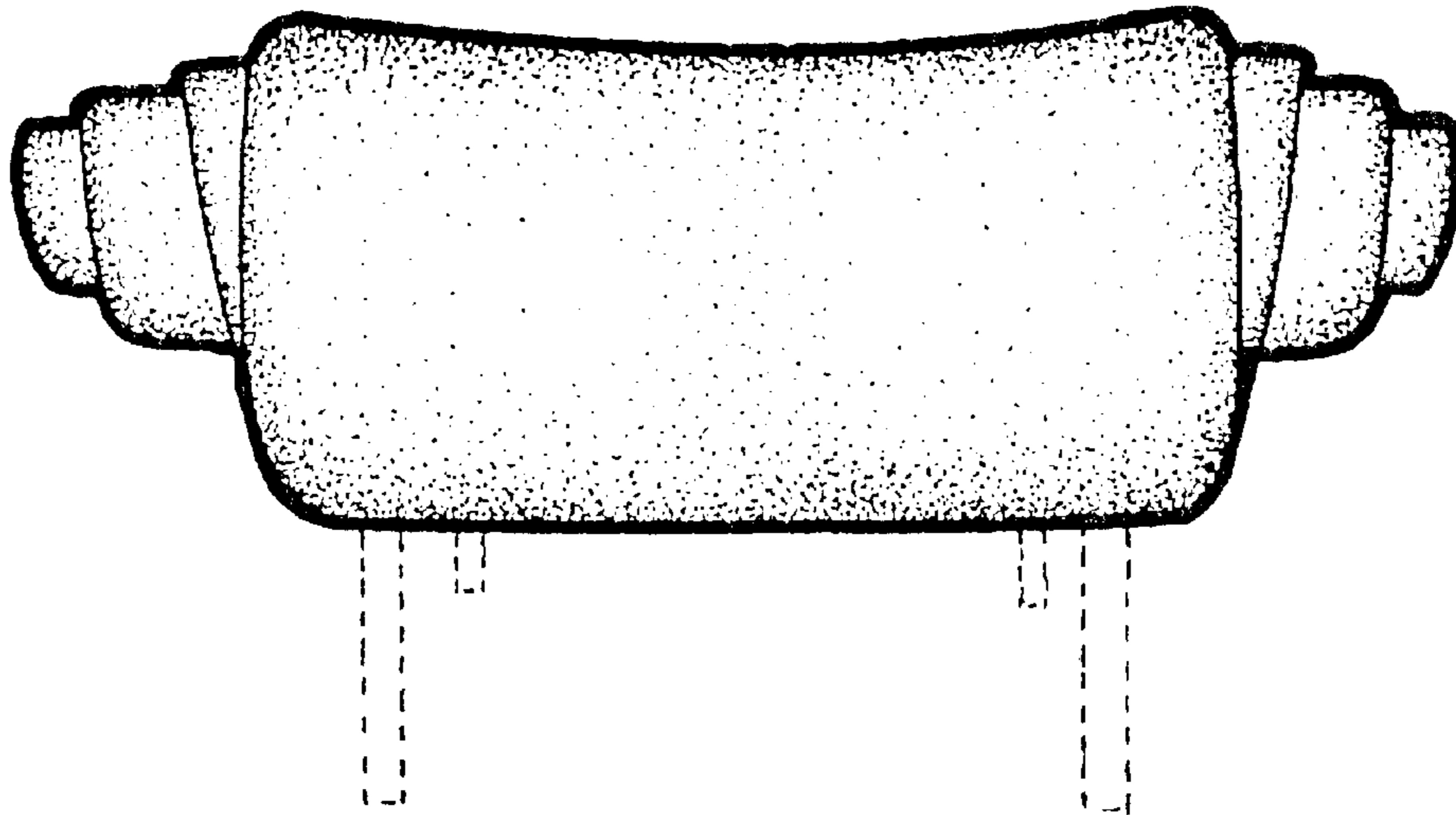


FIG. 1

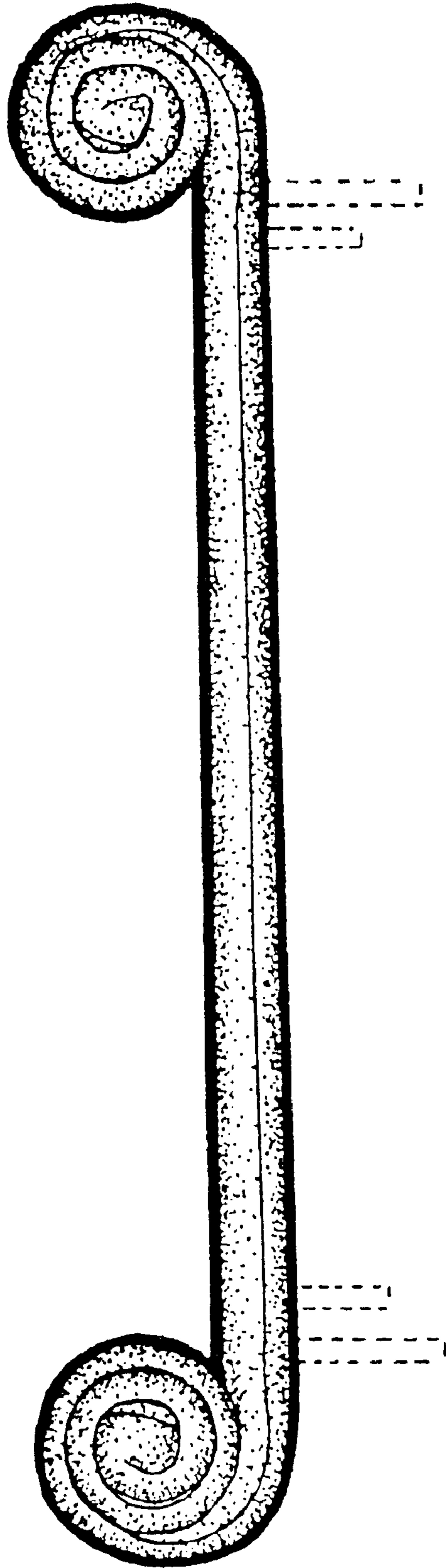


FIG. 2

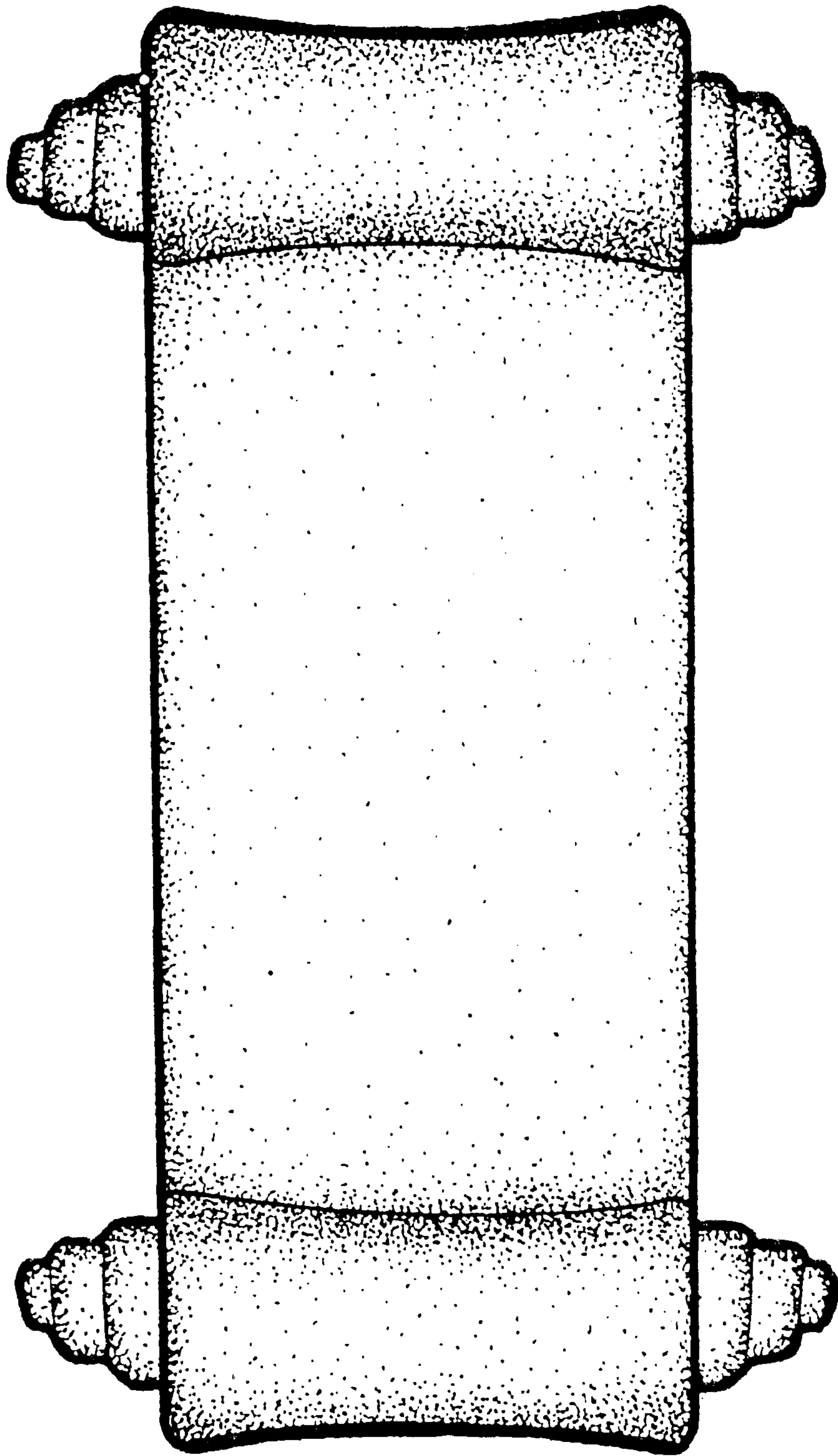


FIG. 3