



US00D469963S

(12) **United States Design Patent** (10) **Patent No.:** **US D469,963 S**
Ueno (45) **Date of Patent:** **** Feb. 11, 2003**

(54) **CARD CASE**

(75) Inventor: **Takashi Ueno**, Tokyo (JP)

(73) Assignee: **R & B 21**, Tokyo (JP)

(**) Term: **14 Years**

(21) Appl. No.: **29/150,331**

(22) Filed: **Nov. 21, 2001**

(30) **Foreign Application Priority Data**

May 23, 2001 (JP) 2001-014757

(51) **LOC (7) Cl.** **06-07**

(52) **U.S. Cl.** **D6/300**

(58) **Field of Search** D6/300, 308; D20/40;
40/537, 661; 206/509, 39; 224/570; 273/293

(56) **References Cited**

U.S. PATENT DOCUMENTS

4,979,619	A	*	12/1990	Hager	206/509
5,010,673	A	*	4/1991	Connor et al.	40/661
5,040,671	A	*	8/1991	Hager	206/39
D321,361	S	*	11/1991	Iino	D16/235
5,121,863	A	*	6/1992	Kotitalo et al.	224/570
5,201,525	A	*	4/1993	Castro	273/293
D346,829	S		5/1994	Keefe		
5,323,553	A	*	6/1994	Candido	40/537
5,363,964	A	*	11/1994	Hexter, Jr.	206/449
D377,420	S		1/1997	Slyh et al.		
D435,353	S	*	12/2000	Chan	D6/308
6,295,750	B1	*	10/2001	Harwell et al.	40/661

* cited by examiner

Primary Examiner—Nelson C. Holtje

(74) *Attorney, Agent, or Firm*—Oblon, Spivak, McClelland, Maier & Neustadt, P.C.

(57) **CLAIM**

The ornamental design for a card case, as shown and described.

DESCRIPTION

FIG. 1 is a front elevational view of the card case, showing my new design.

FIG. 2 is a rear elevational view thereof.

FIG. 3 is the left side elevational view thereof.

FIG. 4 is the bottom plan view thereof.

FIG. 5 is a cross sectional view taken along line 5—5 in FIG. 2.

FIG. 6 is a 6—6 cross sectional view taken along line 6—6 in FIG. 2.

FIG. 7 is an enlarged sectional view taken along line 7—7 in FIG. 5.

FIG. 8 is an enlarged sectional view taken along line 8—8 in FIG. 6.

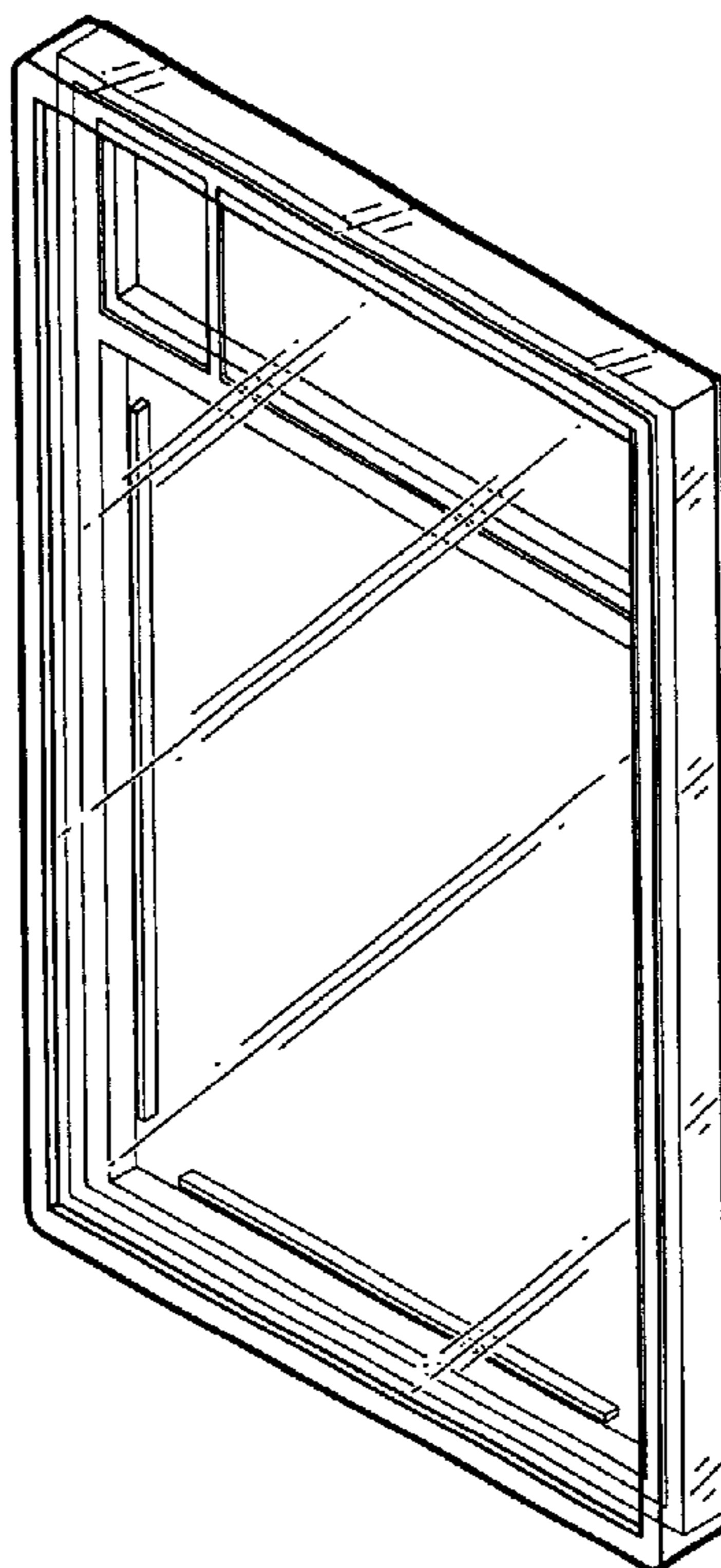
FIG. 9 is a top, front and right side exploded thereof view; and,

FIG. 10 is a perspective view showing the card case when in use.

The card shown in FIG. 10 is shown for illustrative purposes only and forms no part of the claimed design.

The broken-line card in FIG. 10 is for illustrative purposes only and forms no part of the claimed design.

1 Claim, 4 Drawing Sheets



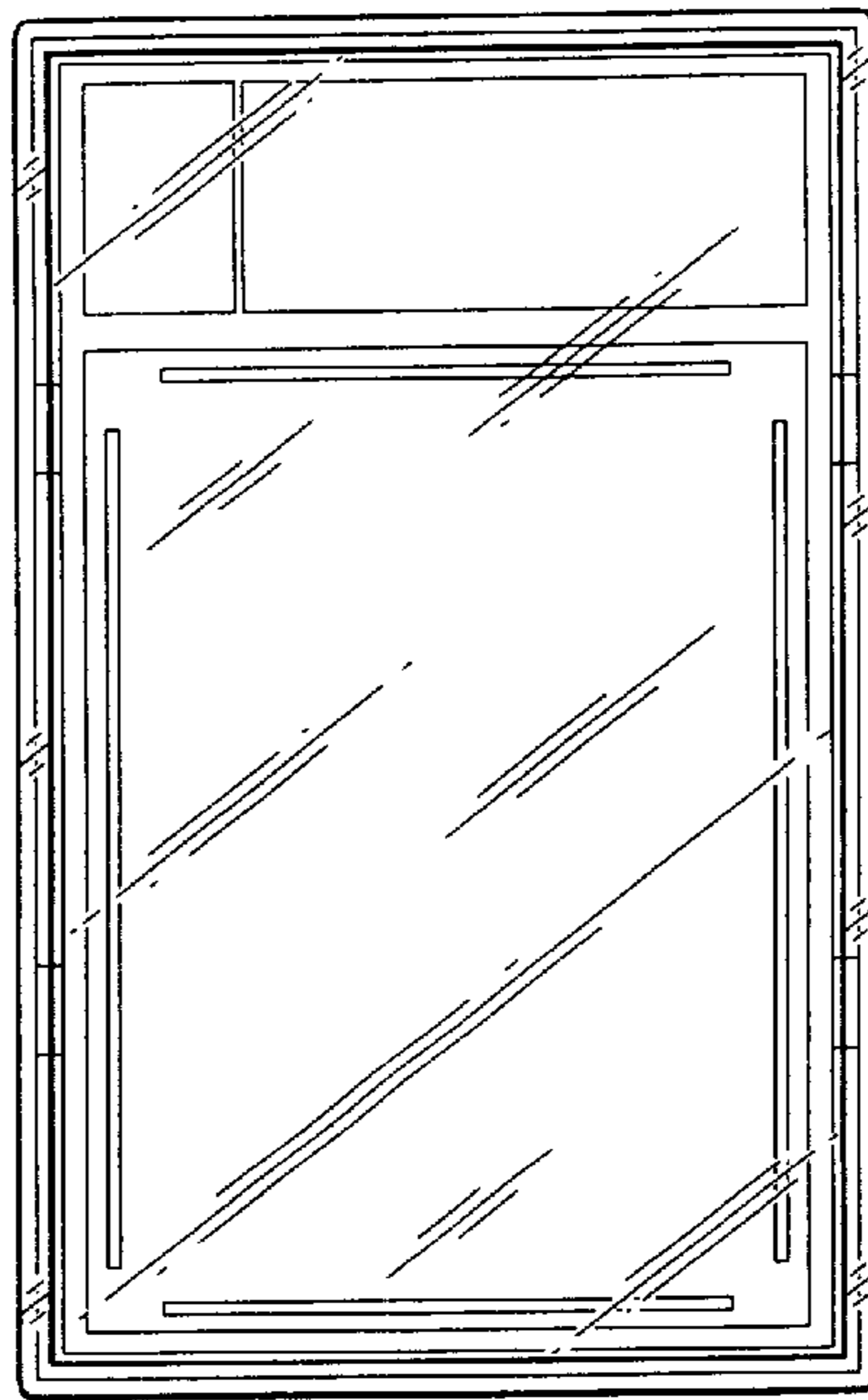


FIG. 1

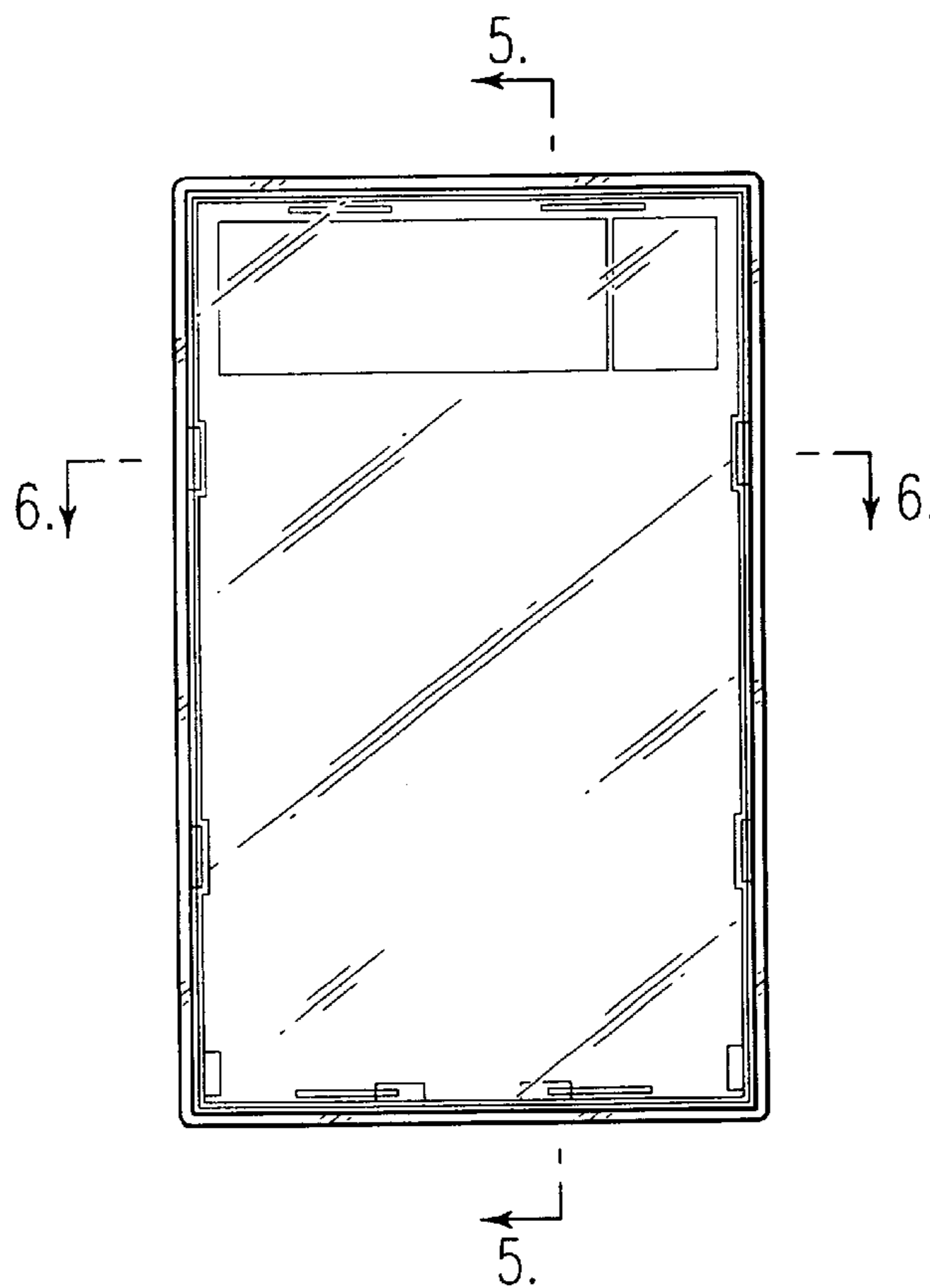


FIG. 2

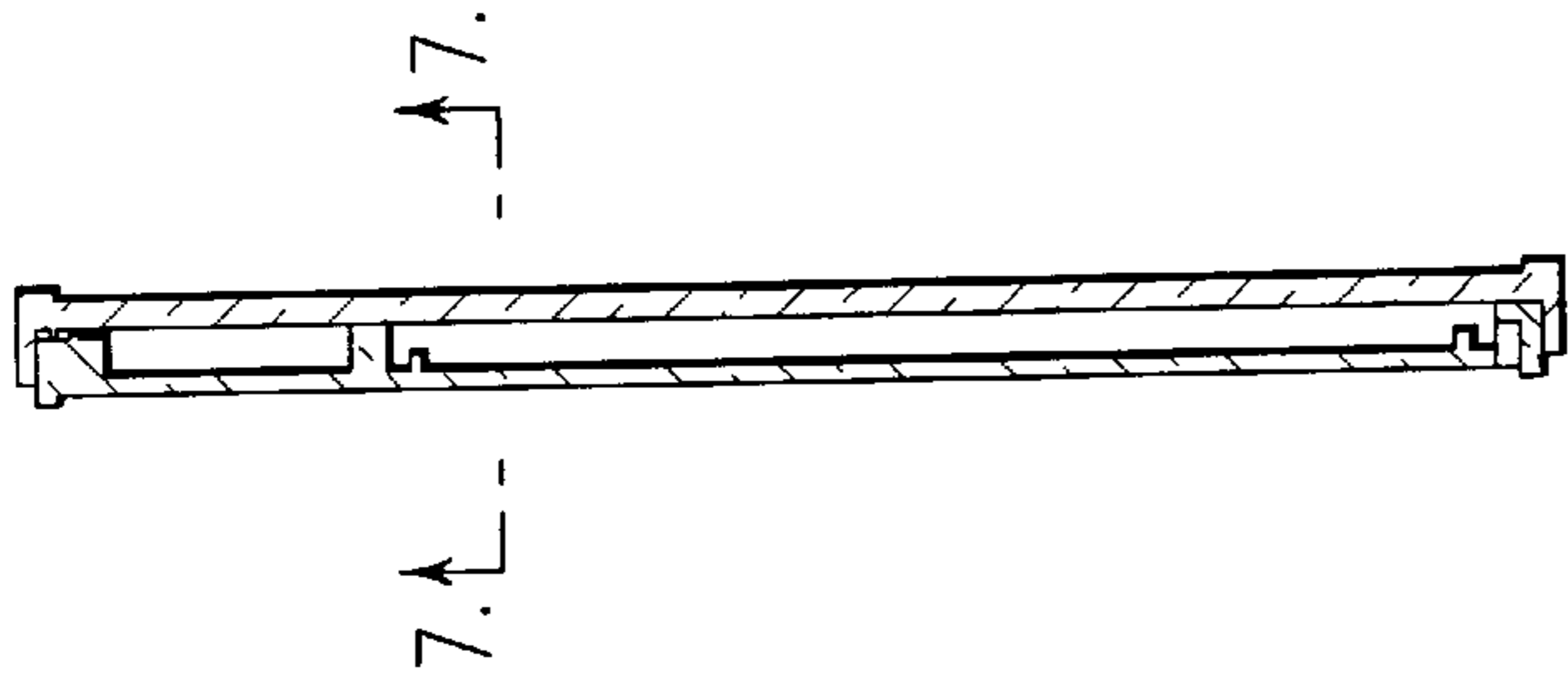


FIG. 5

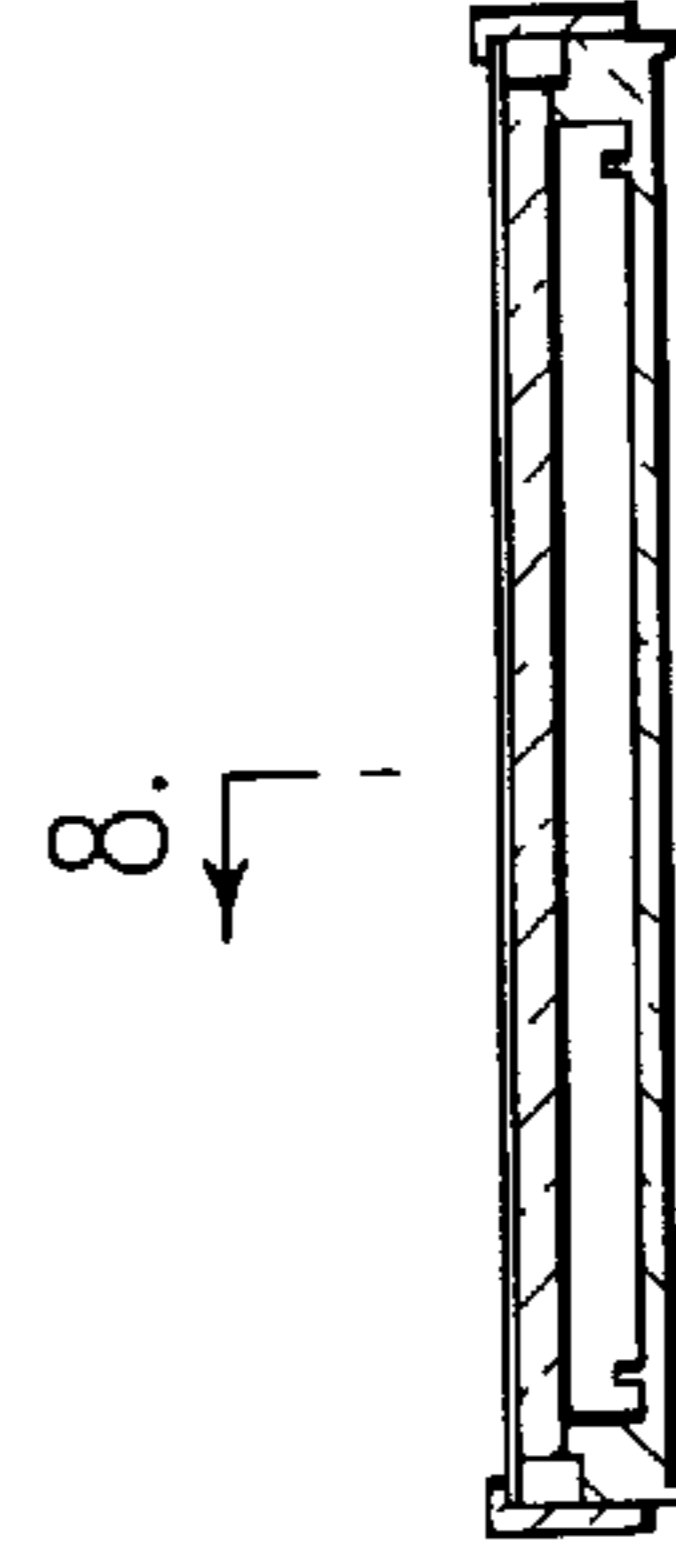


FIG. 6

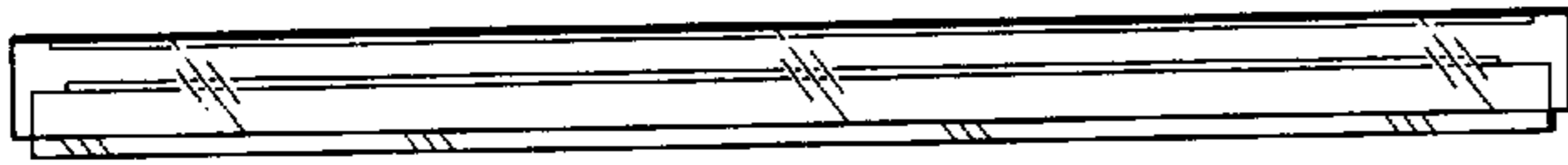


FIG. 3



FIG. 4

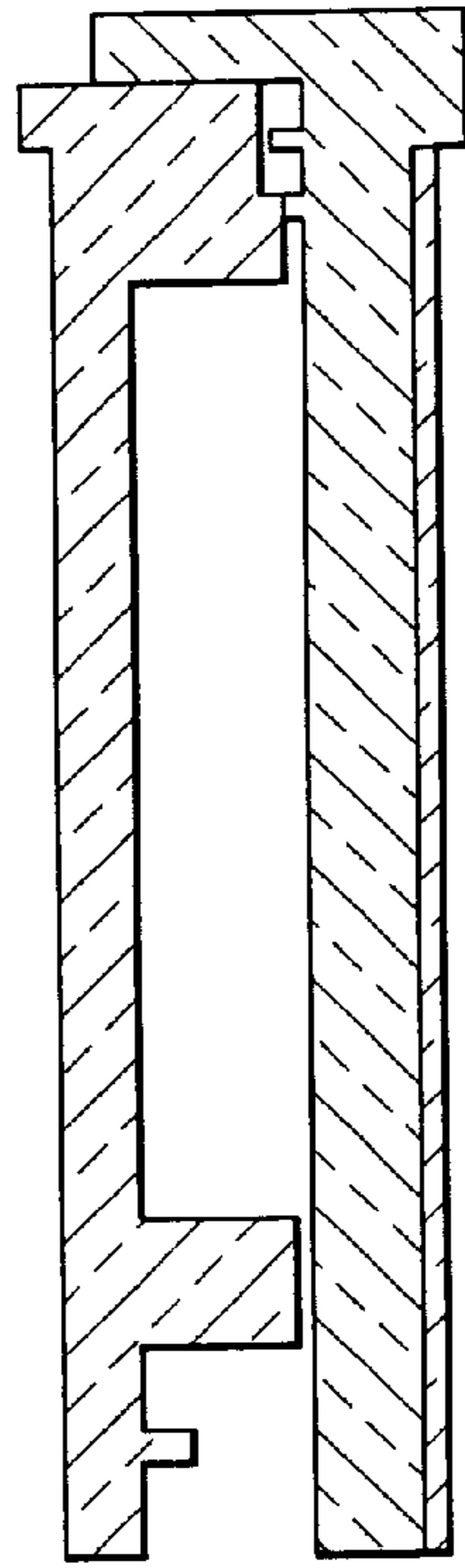


FIG. 7

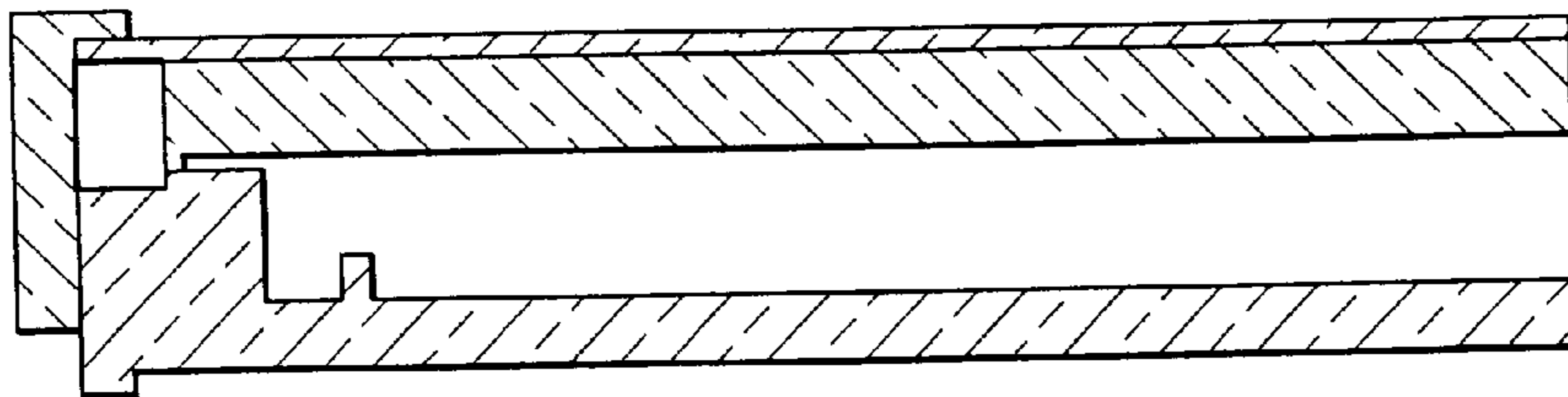


FIG. 8

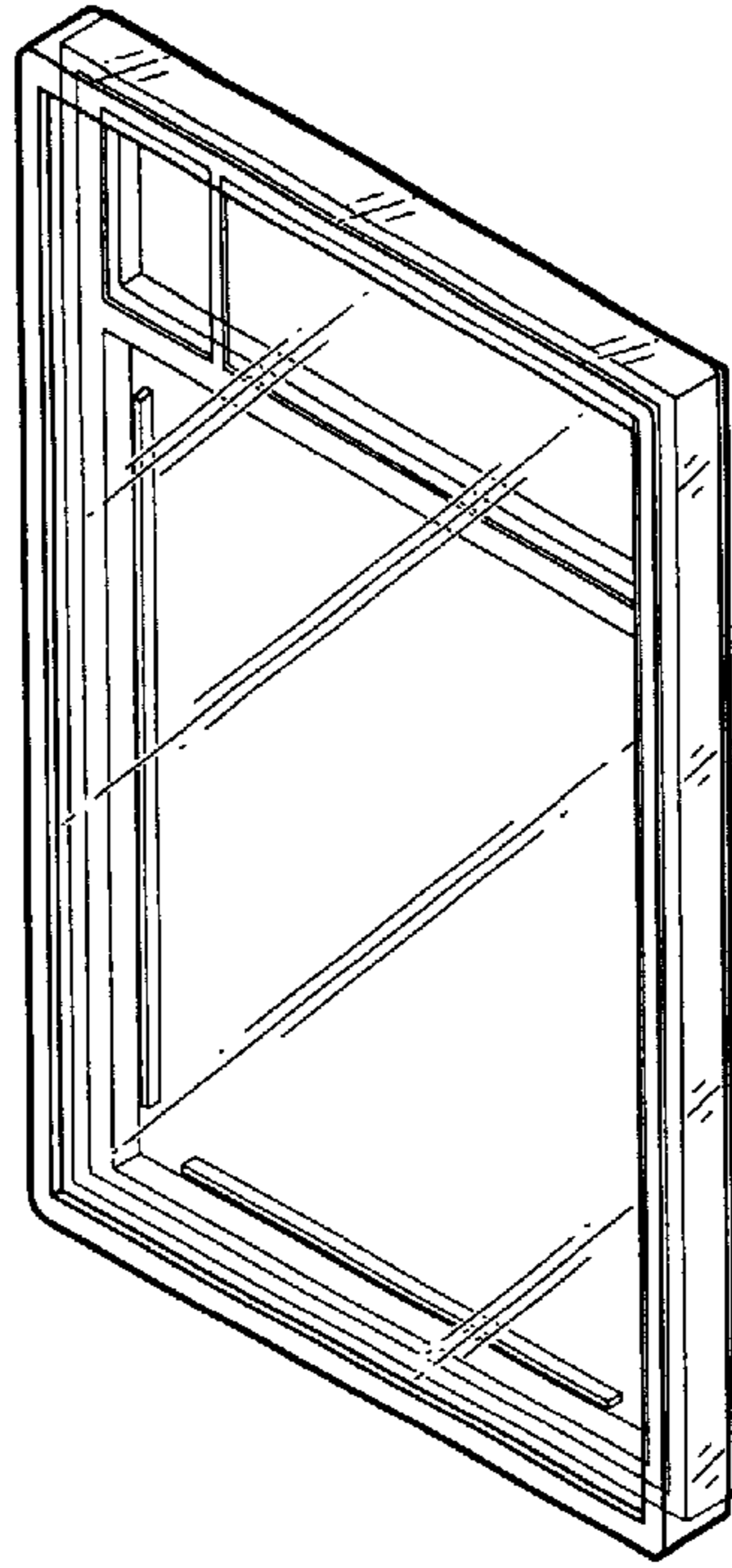


FIG. 9

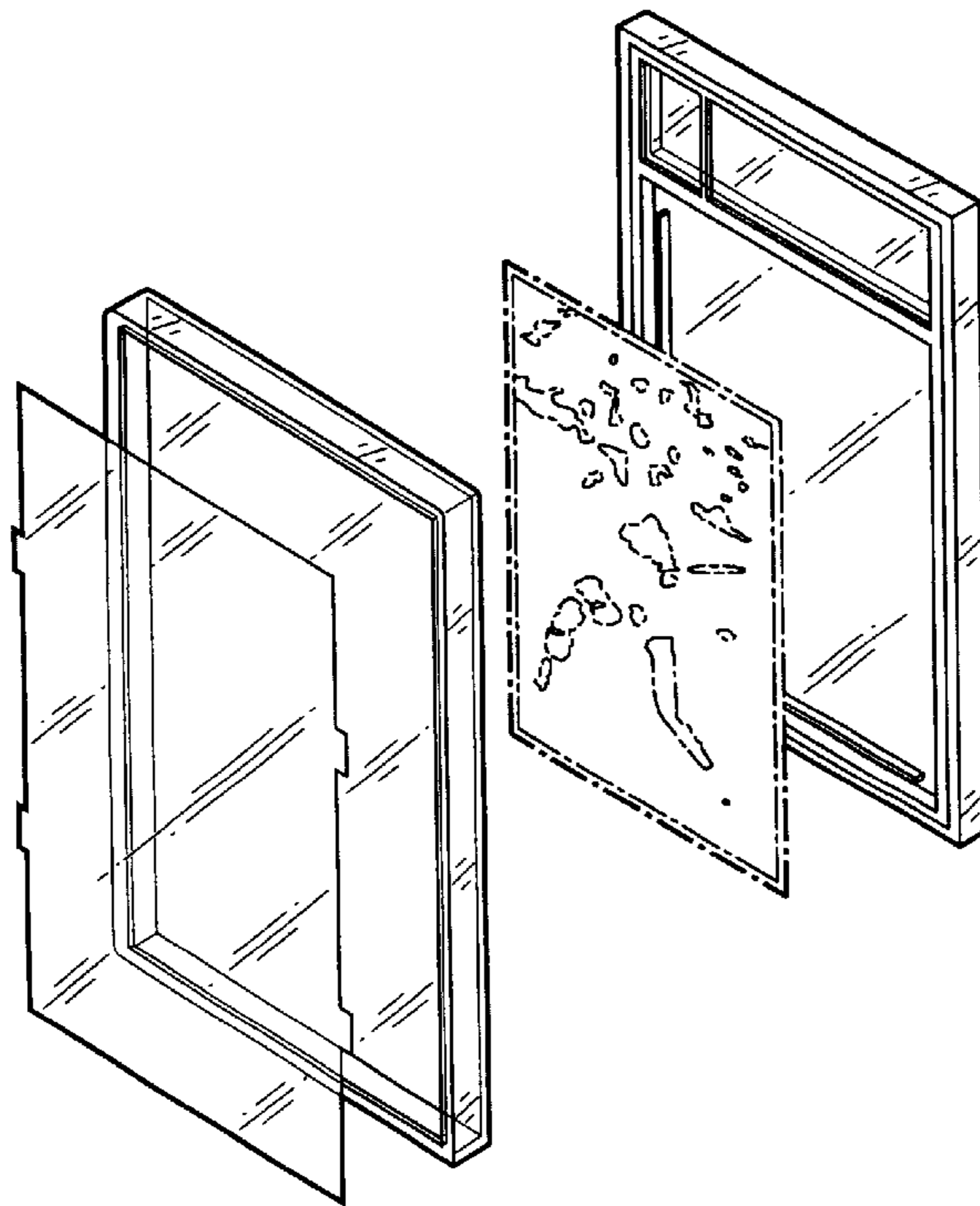


FIG. 10