



US00D469955S

(12) **United States Design Patent**  
**Lauer**

(10) **Patent No.:** **US D469,955 S**

(45) **Date of Patent:** **\*\* Feb. 11, 2003**

(54) **GUITAR STRING CHANGING TOOL CASE**

*Primary Examiner*—Philip S. Hyder  
(74) *Attorney, Agent, or Firm*—R. Craig Armstrong

(76) **Inventor:** **Patrick M. Lauer**, 181 Regina Street  
North, Waterloo, Ontario (CA), N2J  
3B4

(\*\*) **Term:** **14 Years**

(57) **CLAIM**

The ornamental design for a guitar string changing tool case,  
as shown and described.

(21) **Appl. No.:** **29/150,486**

**DESCRIPTION**

(22) **Filed:** **Nov. 26, 2001**

(51) **LOC (7) Cl.** ..... **03-01**

(52) **U.S. Cl.** ..... **D3/294; D3/273; D3/905**

(58) **Field of Search** ..... D3/273, 294, 302,  
D3/905; D9/420, 423, 424; 206/349, 372,  
373, 374, 375

FIG. 1 is a top perspective view of the guitar string changing  
tool case showing my new design;

FIG. 2 is a bottom perspective view thereof;

FIG. 3 is a back view thereof;

FIG. 4 is a top view thereof;

FIG. 5 is a right side view thereof;

FIG. 6 is a front view thereof;

FIG. 7 is a bottom view thereof;

FIG. 8 is a left side view thereof;

FIG. 9 is a top perspective view of the guitar string changing  
tool case when opened;

FIG. 10 is a back view thereof;

FIG. 11 is a top view thereof;

FIG. 12 is a right side view thereof;

FIG. 13 is a left side view thereof;

FIG. 14 is a bottom view thereof; and,

FIG. 15 is a front side view thereof.

(56) **References Cited**

**U.S. PATENT DOCUMENTS**

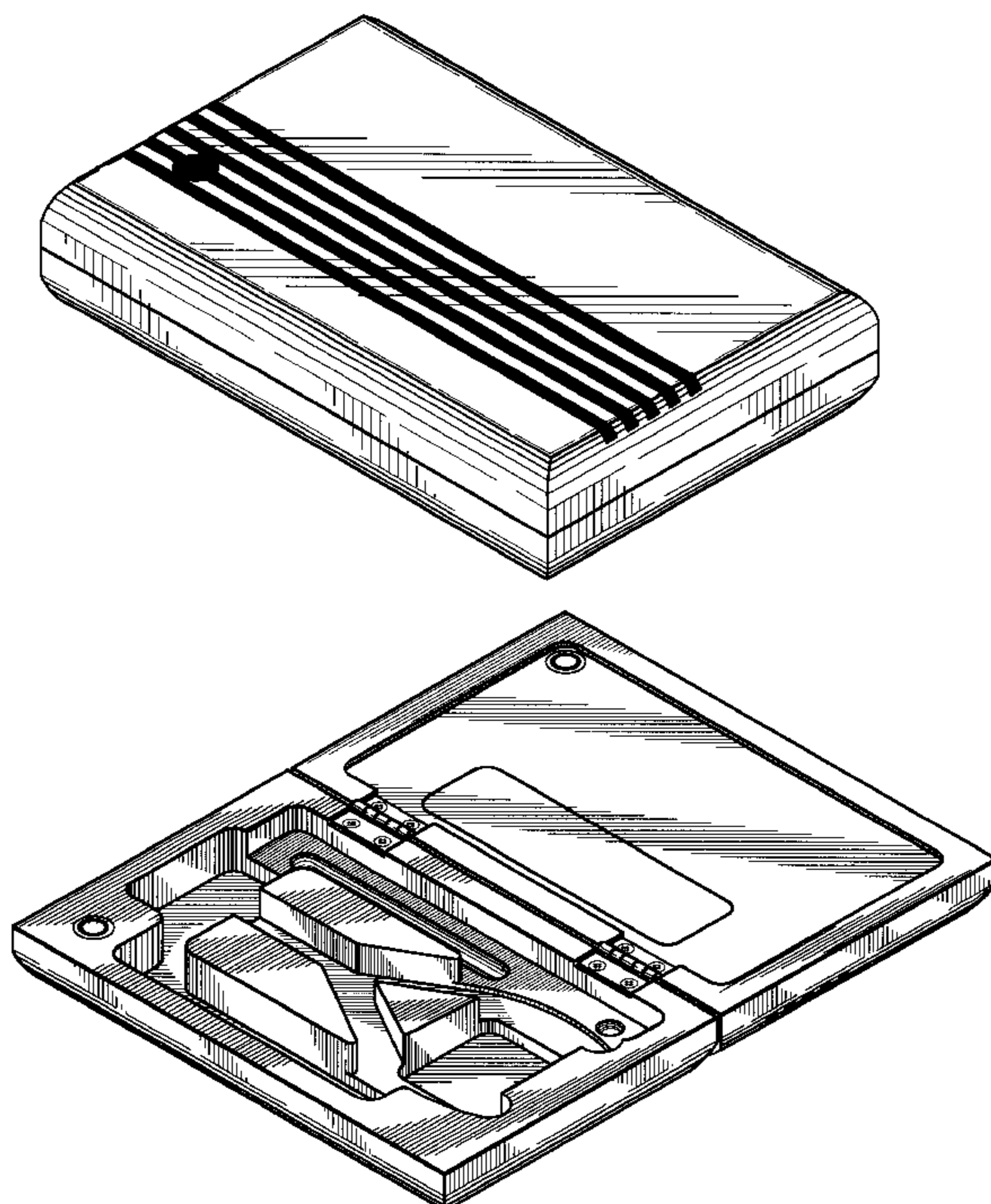
5,271,501	A	*	12/1993	Chen	.....	206/373
D343,120	S	*	1/1994	Lapsker et al.	.....	D9/423
D374,988	S	*	10/1996	Hillinger	.....	D3/273
D384,203	S	*	9/1997	Jacobson	.....	D3/299
D384,807	S	*	10/1997	Dougherty	.....	D3/204
5,788,072	A	*	8/1998	Chen	.....	206/372
5,919,554	A	*	7/1999	Watterson et al.	.....	428/192
D429,070	S	*	8/2000	Marshall	.....	D28/83
D458,751	S	*	6/2002	Hsieh	.....	D3/273

**OTHER PUBLICATIONS**

Printout of Internet web page from [www.musiciansfriend.com](http://www.musiciansfriend.com) regarding "Musician's Friend Accessory Package (#420402)" and contact address for Musician's Friend, Inc. Publication date not known.

\* cited by examiner

**1 Claim, 6 Drawing Sheets**



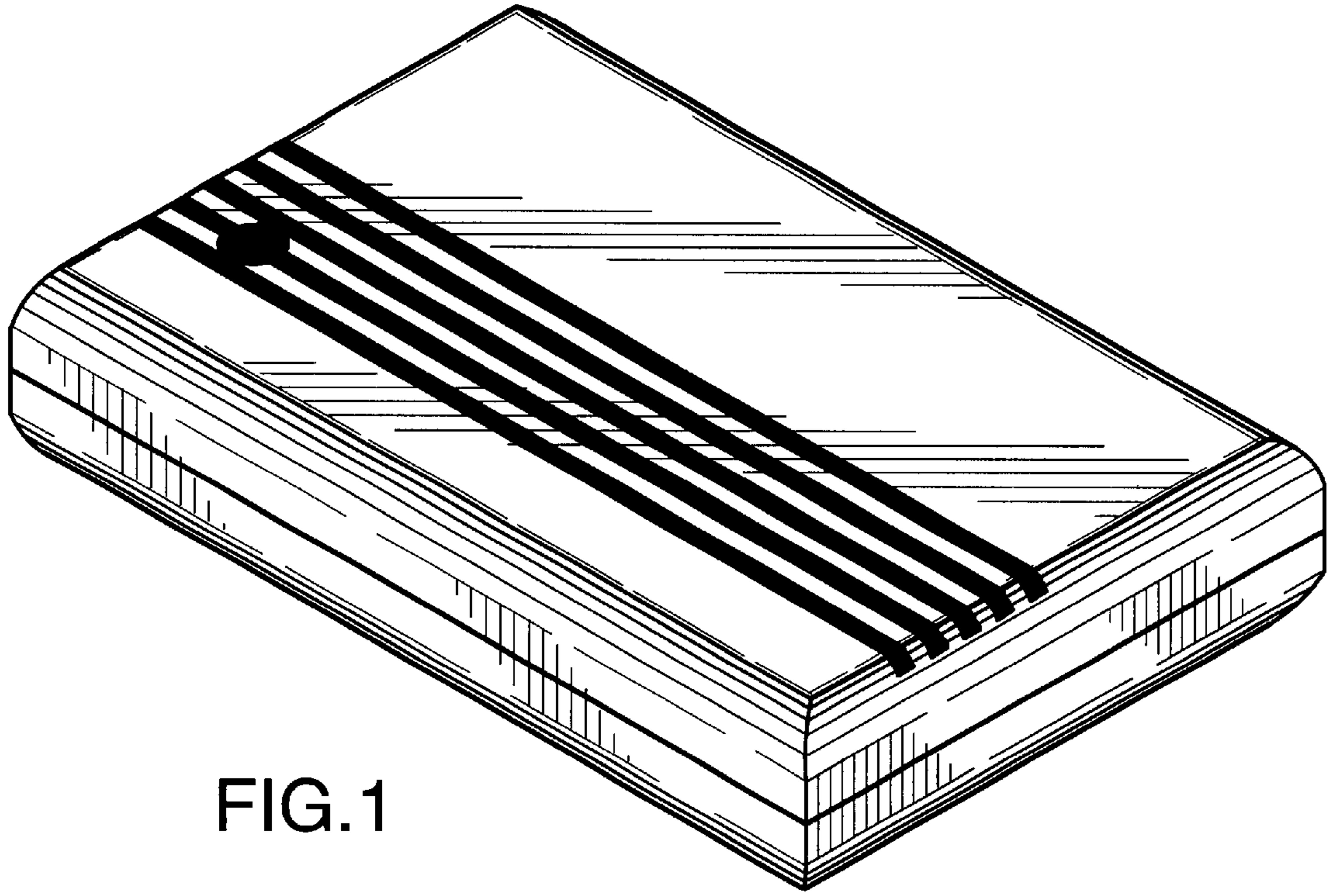


FIG. 1

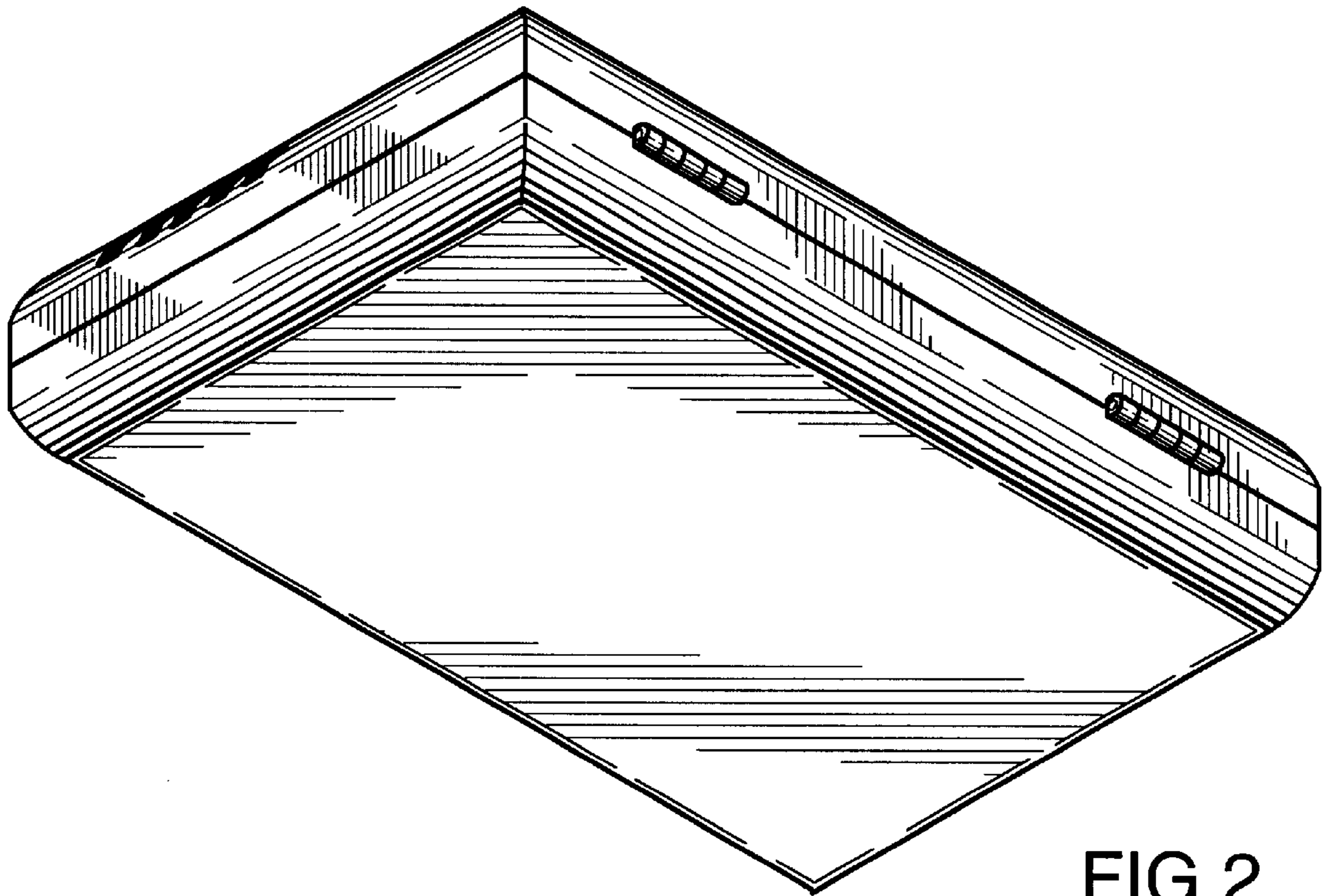


FIG. 2

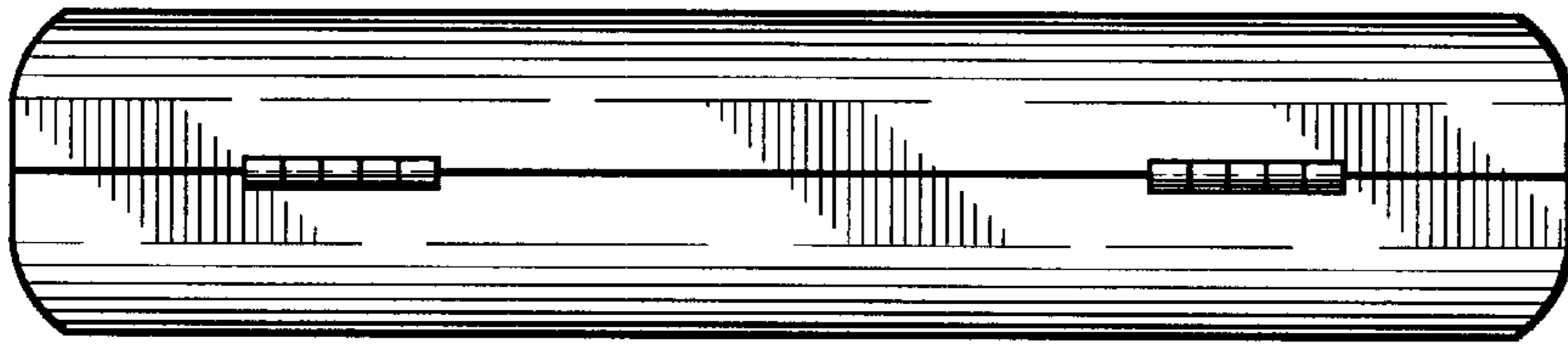


FIG. 3

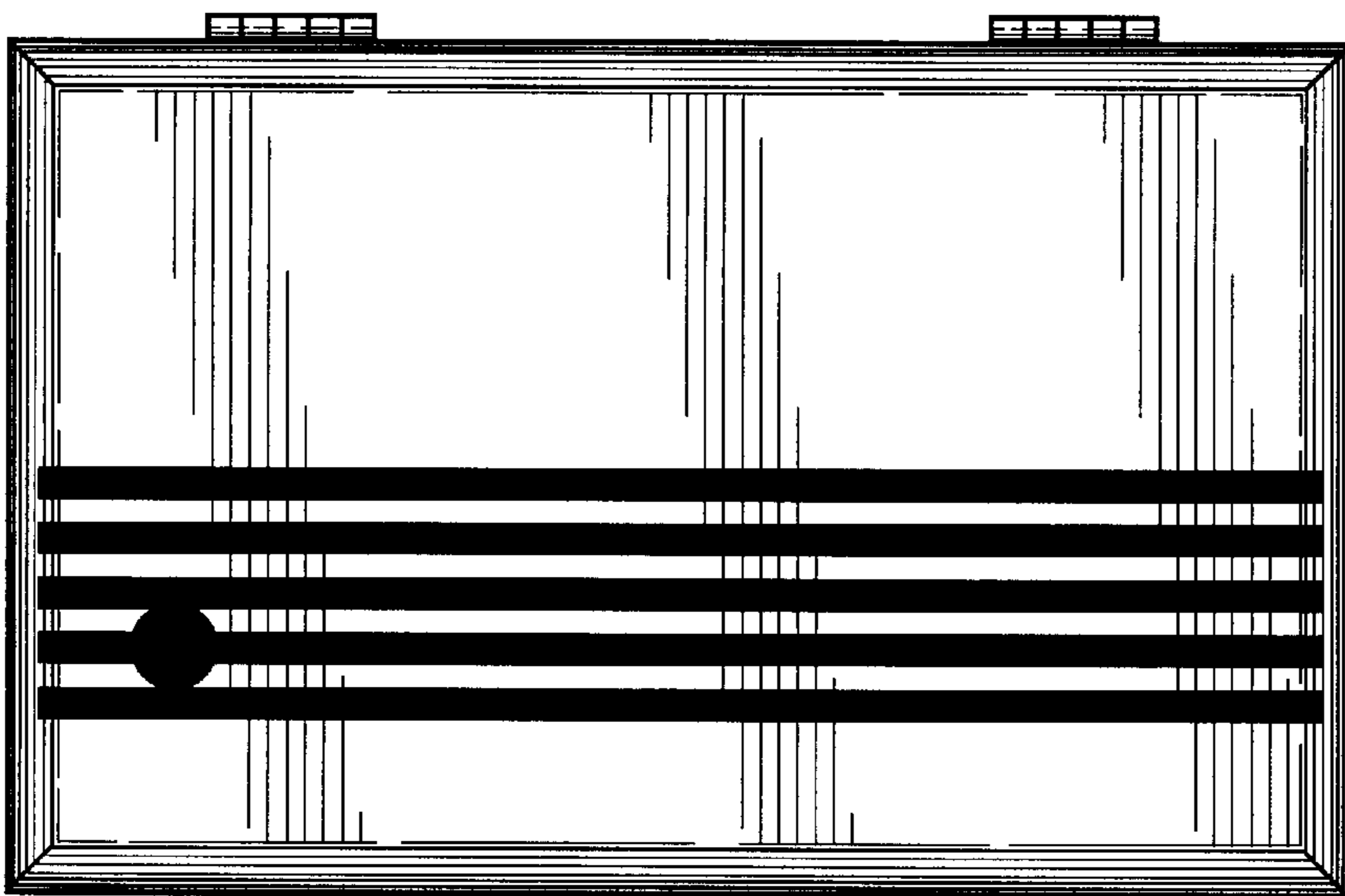


FIG. 4

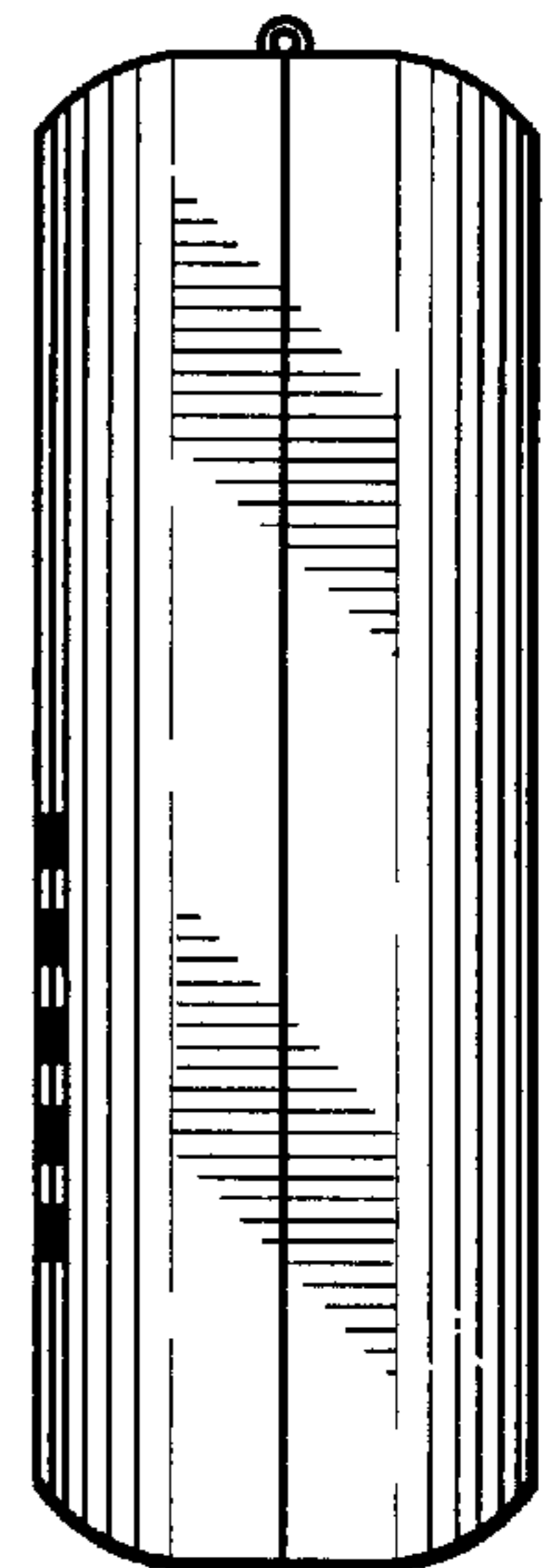


FIG. 5

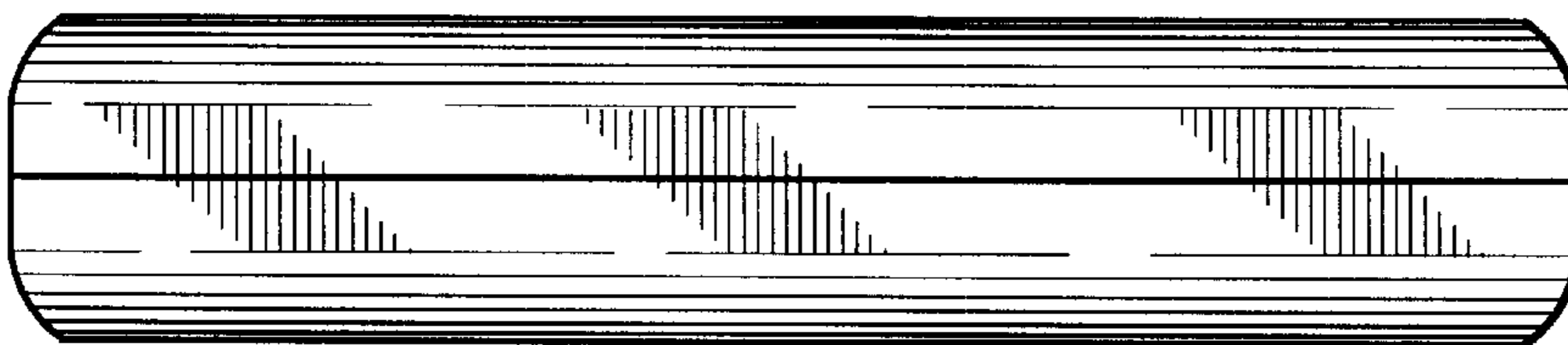


FIG. 6

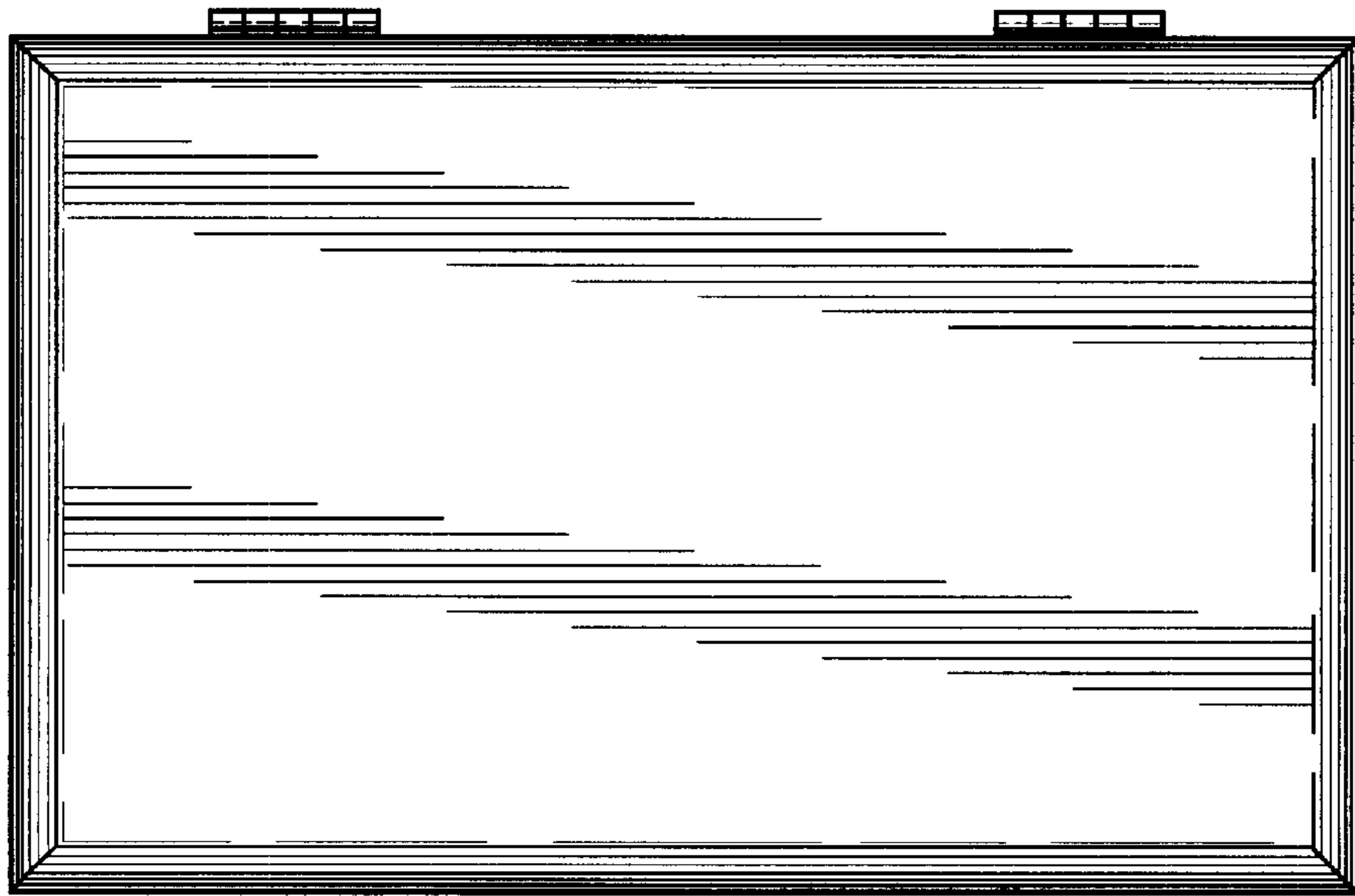


FIG. 7

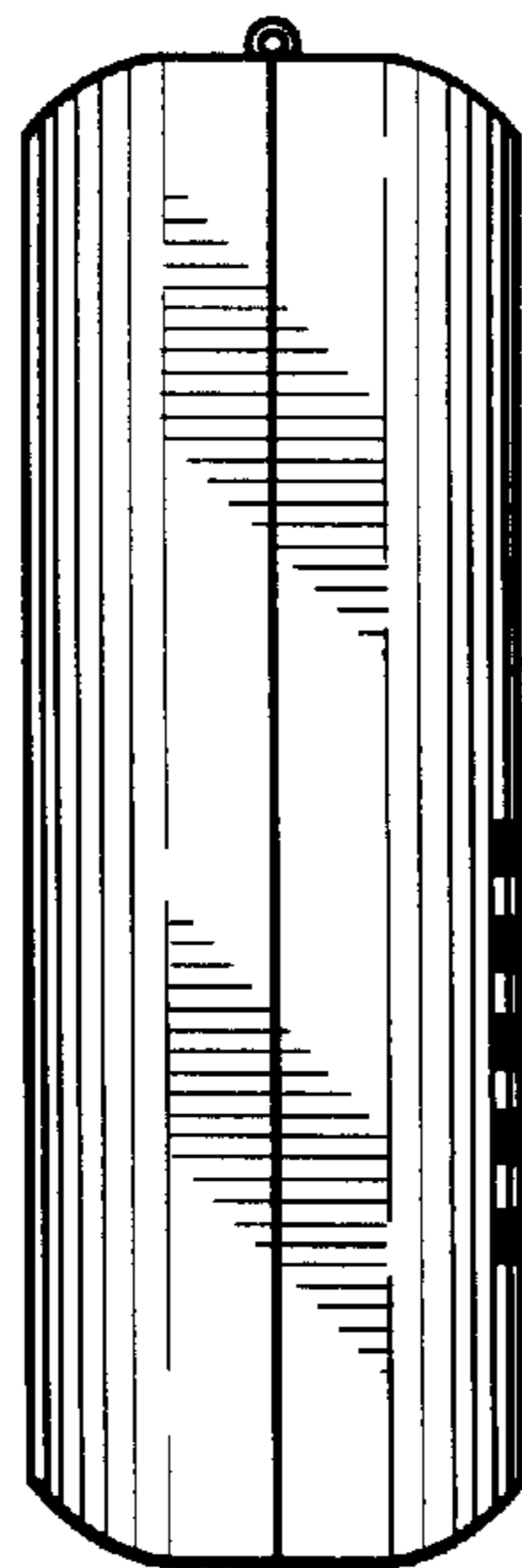


FIG. 8

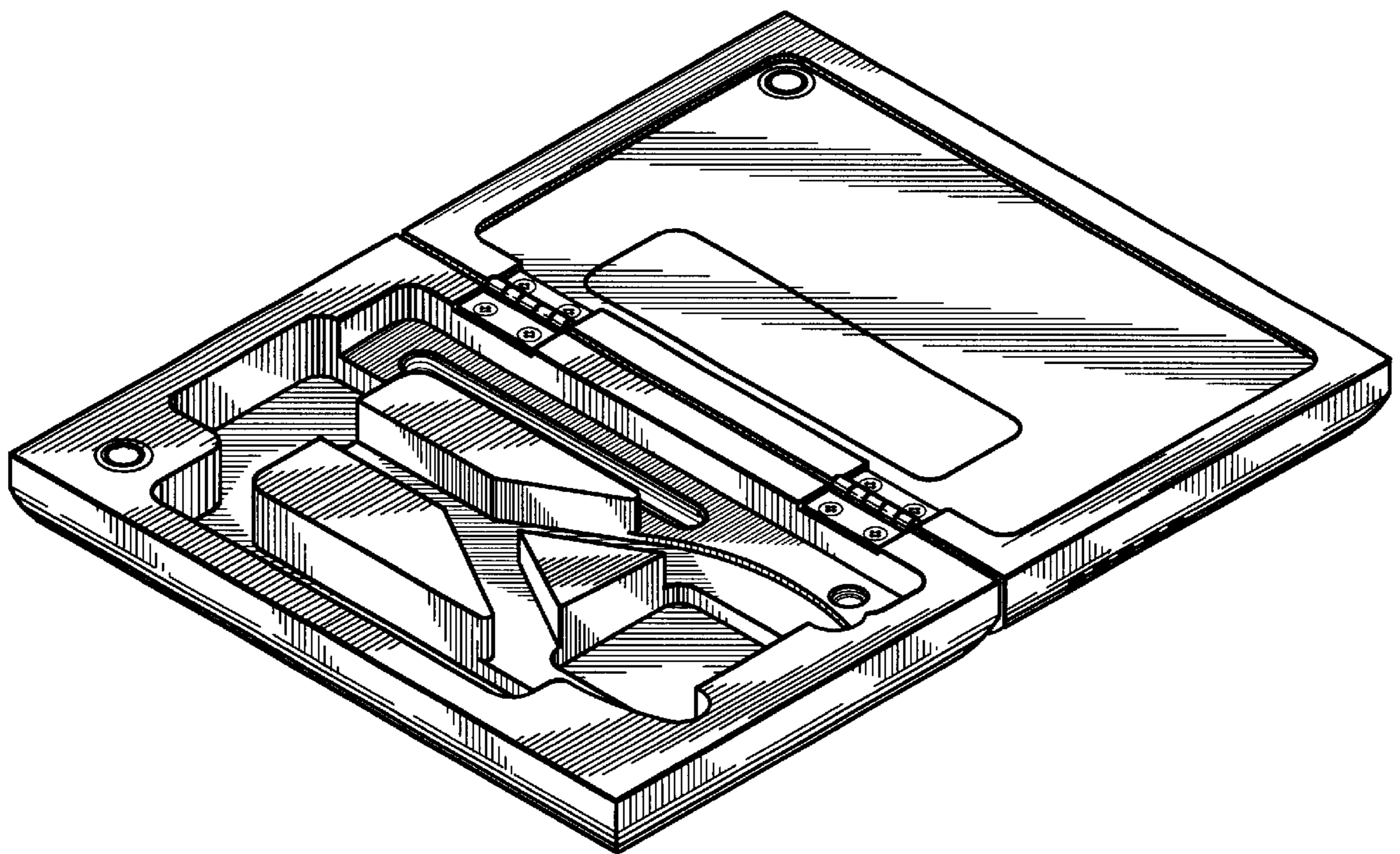


FIG.9

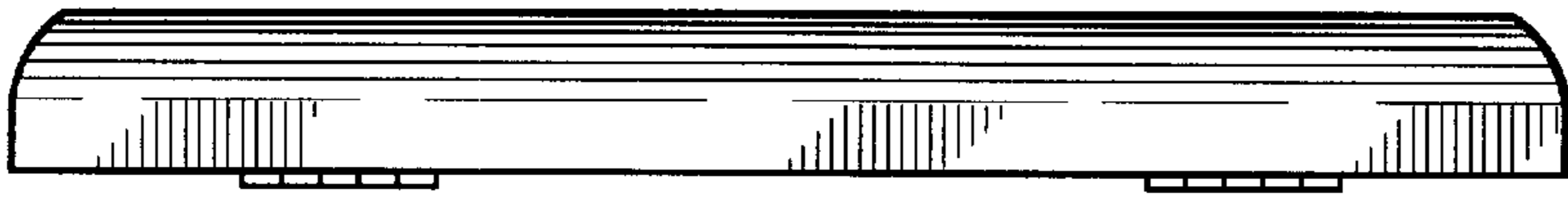


FIG.10

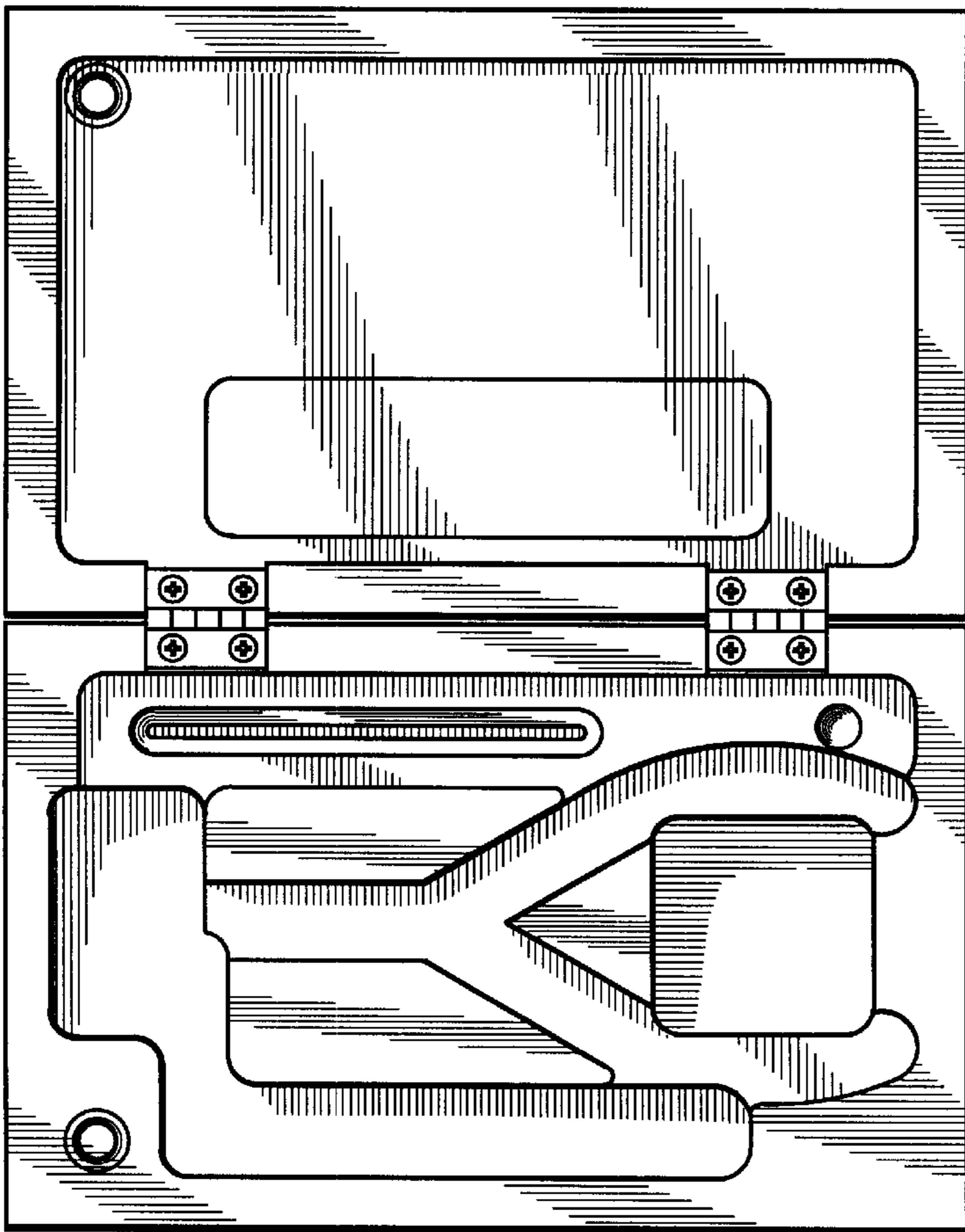


FIG.11



FIG.12

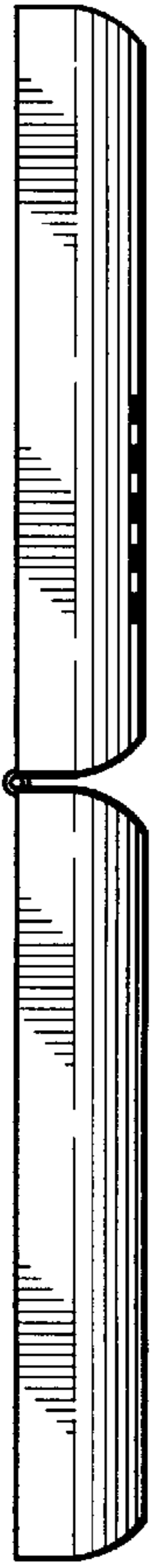


FIG.13

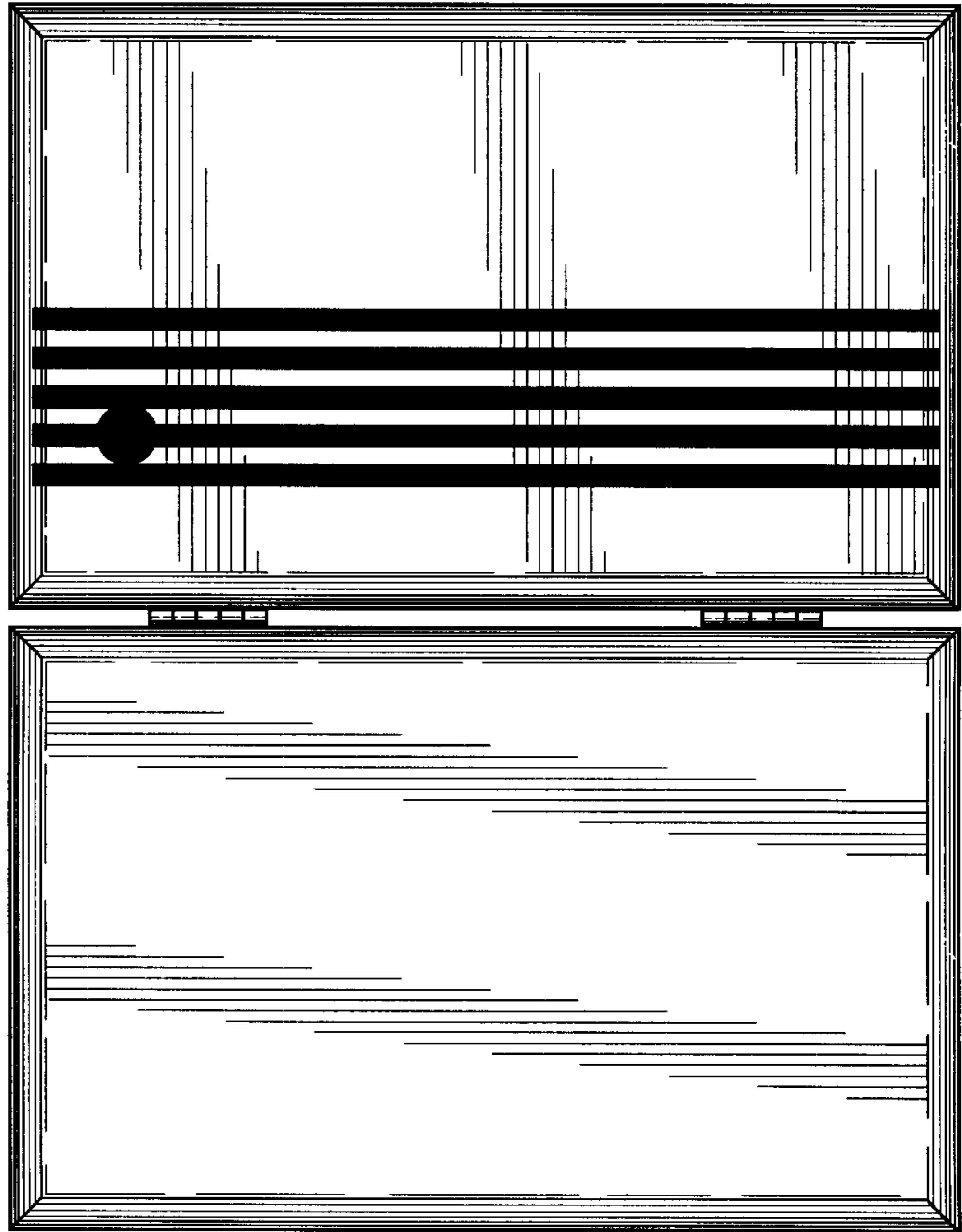


FIG.14

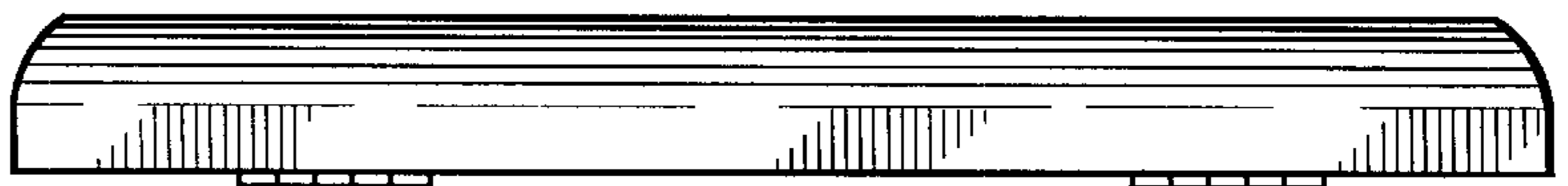


FIG.15