



US00D469942S

(12) **United States Design Patent**
Dillinger et al.

(10) **Patent No.:** **US D469,942 S**

(45) **Date of Patent:** **** Feb. 4, 2003**

(54) **TANK FOR HOLDING DRYWALL COMPOUND**

D305,467 S * 1/1990 Dagge D32/53

OTHER PUBLICATIONS

(75) Inventors: **Daniel Dea Dillinger**, Parsons, KS (US); **John E. O'Mara**, Wichita, KS (US)

U.S. patent application Ser. No. 09/760,225, Dillinger, filed Jan. 12, 2001.

U.S. patent application Ser. No. 09/760,223, Dillinger, filed Jan. 12, 2001.

(73) Assignee: **Renegade Tool, LLC**, Parsons, KS (US)

* cited by examiner

(**) Term: **14 Years**

Primary Examiner—Cynthia E. Ramirez

(74) *Attorney, Agent, or Firm*—Bracewell & Patterson, L.L.P.

(21) Appl. No.: **29/146,124**

(22) Filed: **Aug. 3, 2001**

(57) **CLAIM**

(51) **LOC (7) Cl.** **09-02**

The ornamental design for a tank for holding drywall compound, as shown and described.

(52) **U.S. Cl.** **D34/39**

(58) **Field of Search** D34/39; D32/53; 220/DIG. 13, DIG. 25, 696, 669, 601, 672, 320; D7/510, 511, 603; 84/41 R

DESCRIPTION

(56) **References Cited**

U.S. PATENT DOCUMENTS

- 1,170,797 A * 2/1916 Burroughs 220/696
- D138,337 S * 7/1944 Braloff D7/510
- D196,292 S * 9/1963 Dumit D7/510
- D230,462 S * 2/1974 Renou D32/53
- D289,452 S * 4/1987 Fuller D32/53
- D293,267 S * 12/1987 Massey D34/7

FIG. 1 is a perspective view of a tank for holding drywall compound embodying our new ornamental design.

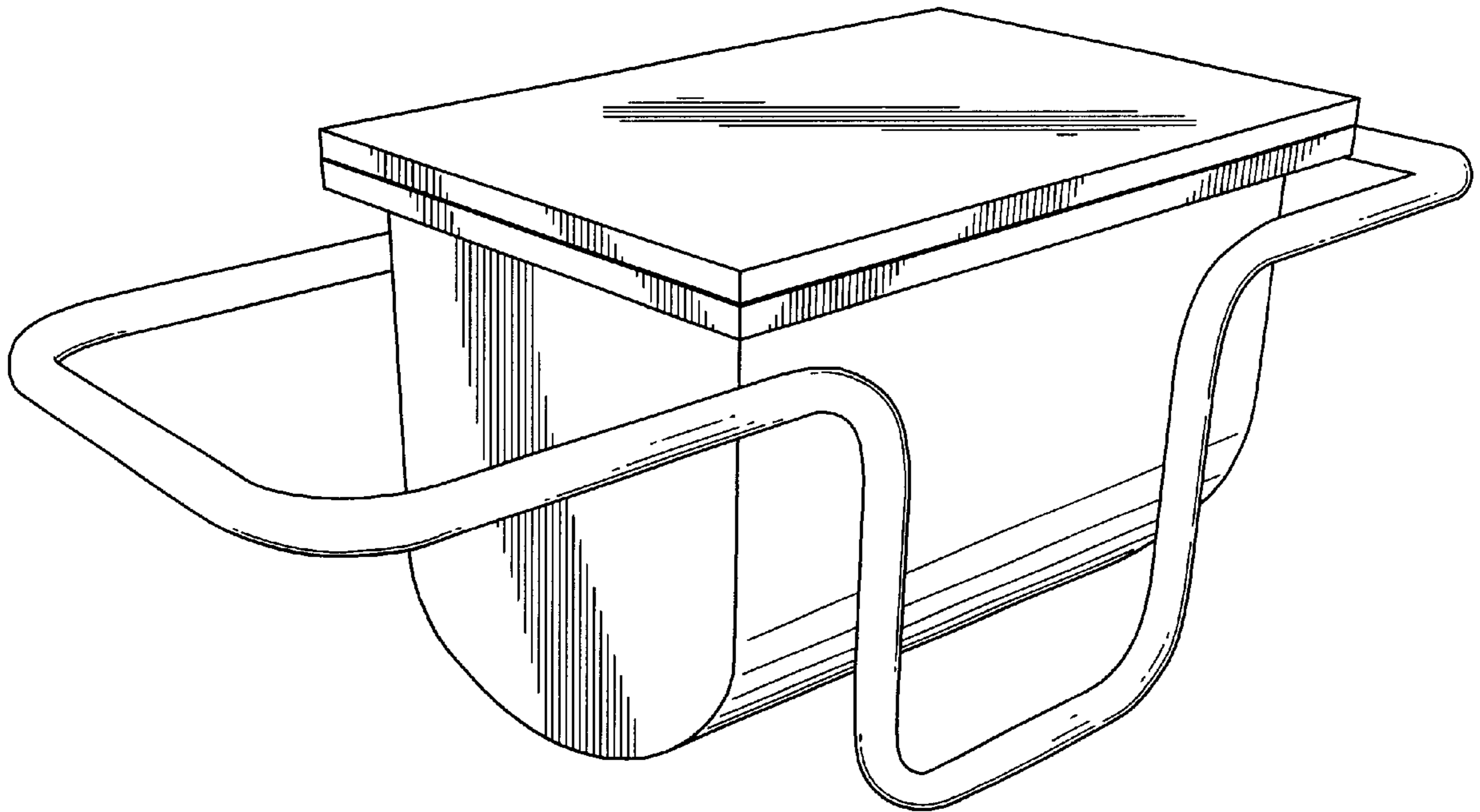
FIG. 2 is a left side view of said tank, the right side being identical.

FIG. 3 is a top view of said tank.

FIG. 4 is a bottom view of said tank; and,

FIG. 5 is a right end view of said tank, the left end being identical.

1 Claim, 2 Drawing Sheets



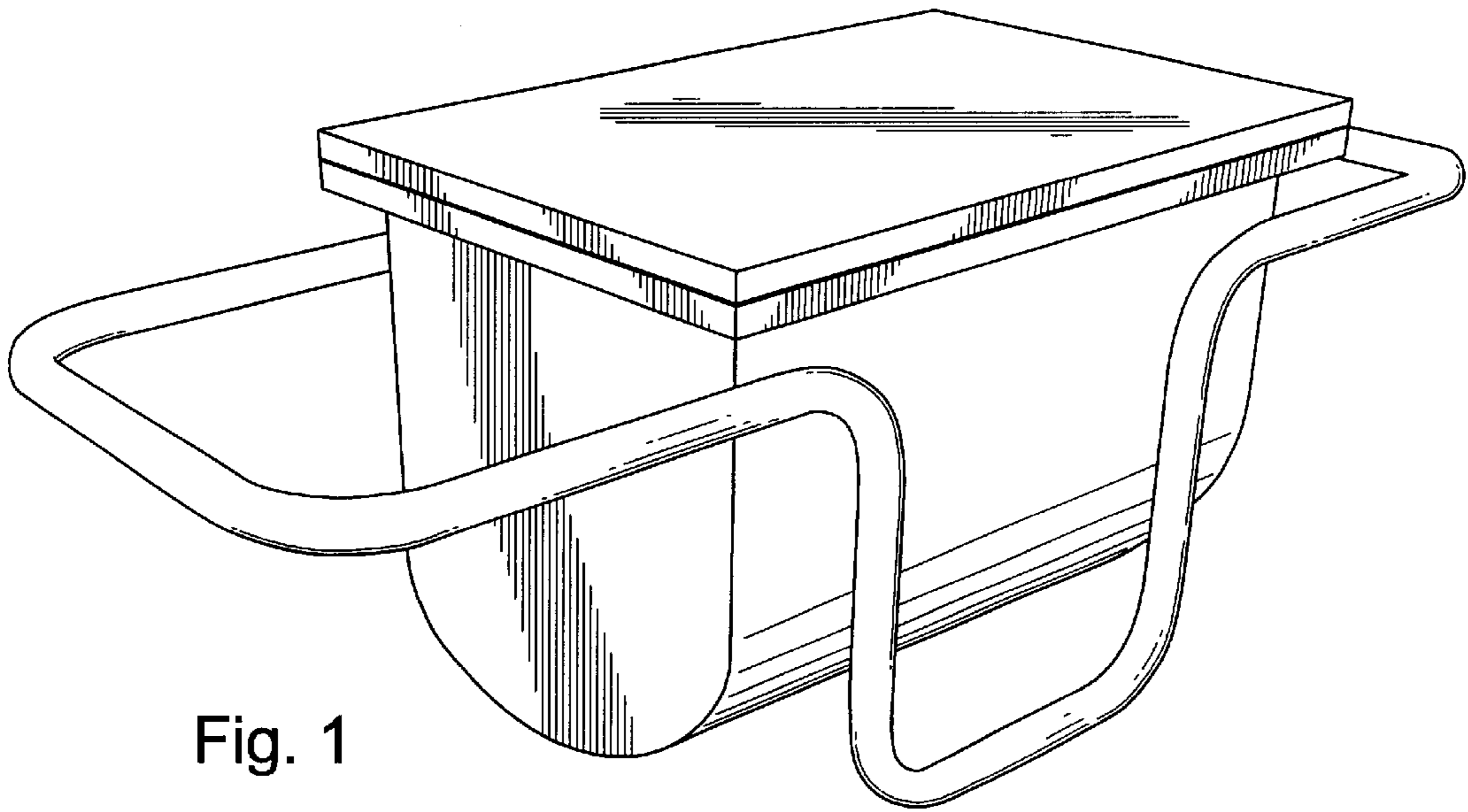


Fig. 1

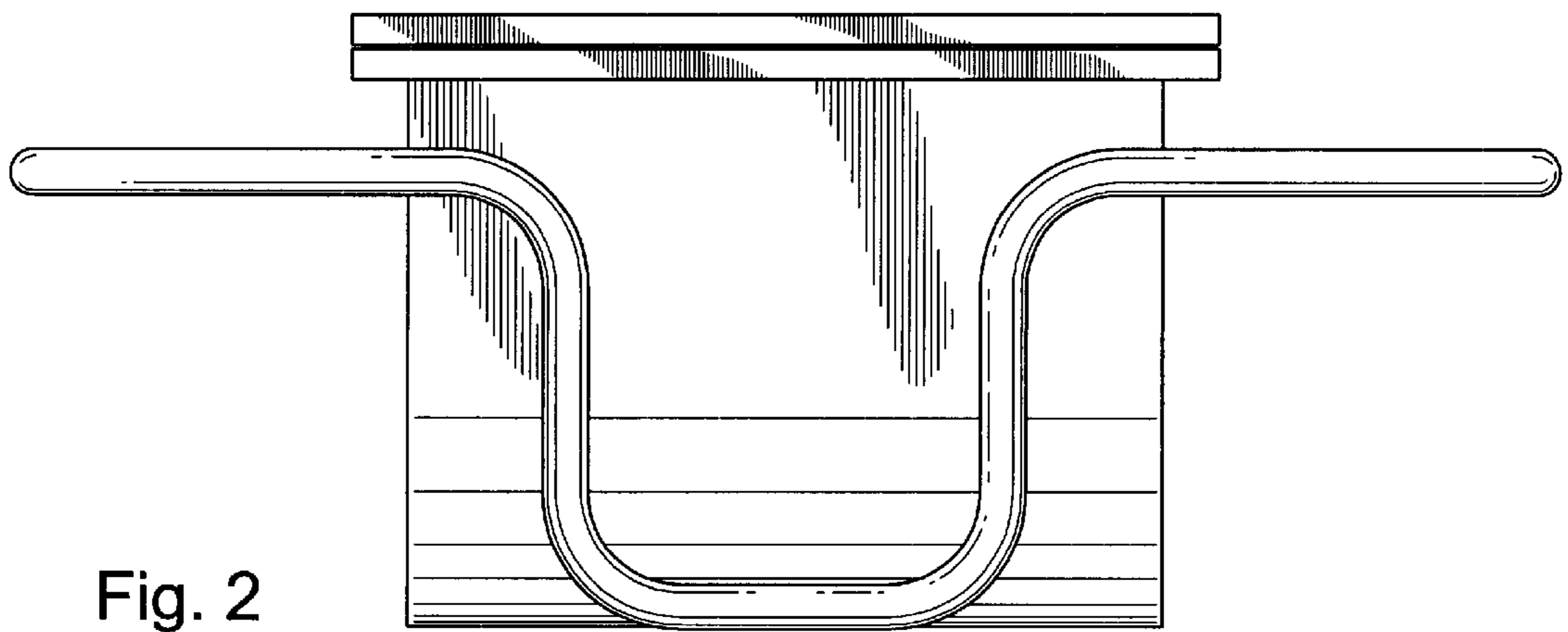


Fig. 2

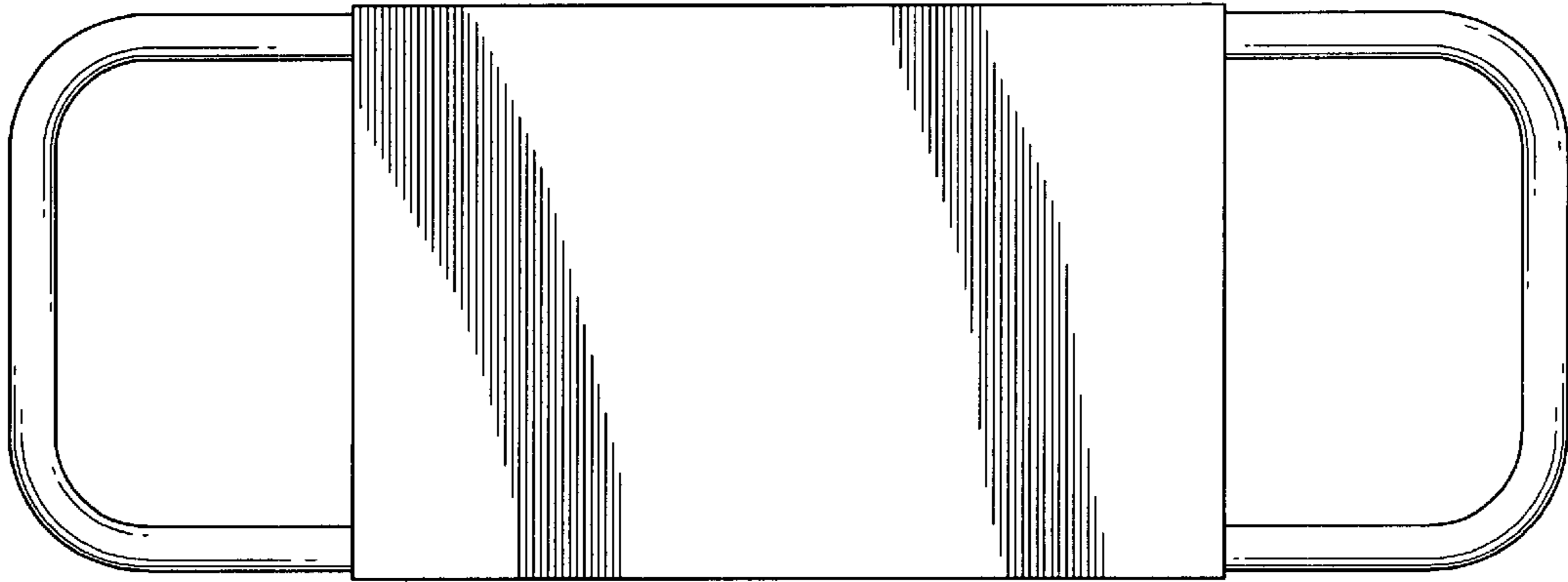


Fig. 3

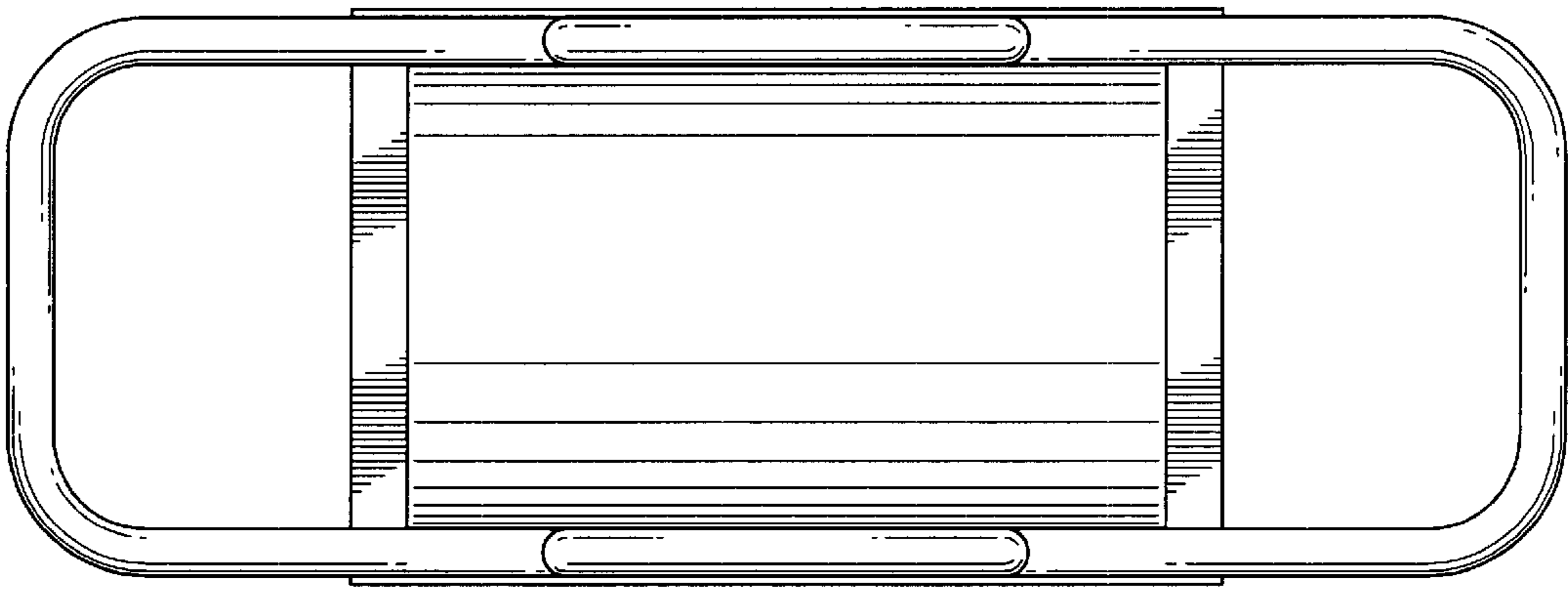


Fig. 4

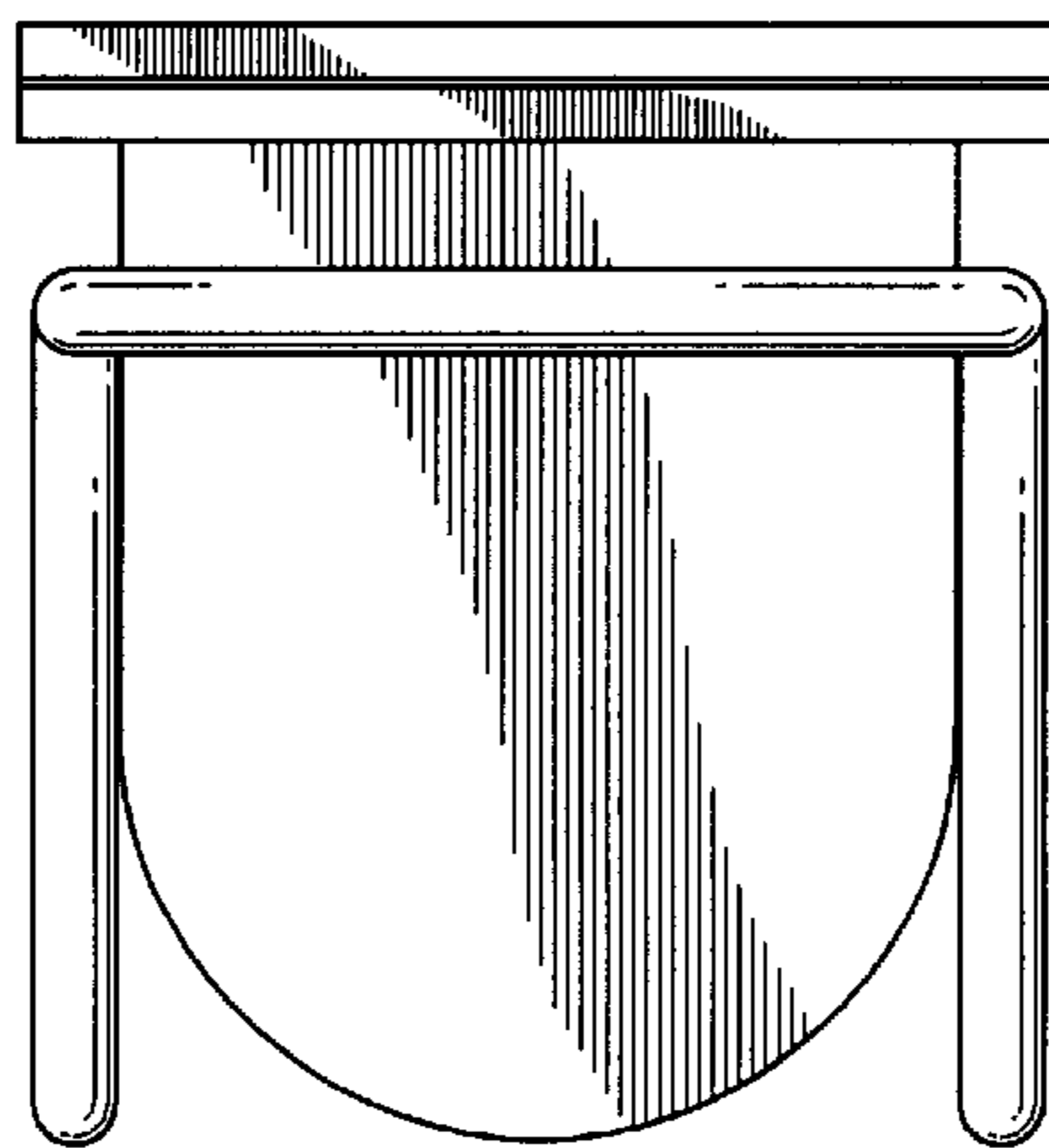


Fig. 5