



US00D469940S

(12) **United States Design Patent**
Speckhart, Jr. et al.

(10) **Patent No.:** **US D469,940 S**

(45) **Date of Patent:** **** Feb. 4, 2003**

(54) **MULTIPLE HOLDING DEVICE**

(74) *Attorney, Agent, or Firm*—Kenyon & Kenyon

(75) **Inventors:** **B. Stephen Speckhart, Jr.**, Short Hills, NJ (US); **William K. Skidmore**, Howell, NJ (US); **Jose A. Lopes**, Elizabeth, NJ (US); **Angel F. Hierrezuelo**, Elizabeth, NJ (US)

(57) **CLAIM**

The ornamental design for a multiple holding device, as shown and described.

(73) **Assignee:** **White Conveyors, Inc.**, Kenilworth, NJ (US)

DESCRIPTION

(**) **Term:** **14 Years**

FIG. 1 is a perspective view of a first embodiment of a multiple holding device;

(21) **Appl. No.:** **29/133,586**

FIG. 2 is a right side view of the holding device shown in FIG. 1, the left side view being a mirror thereof;

(22) **Filed:** **Dec. 1, 2000**

FIG. 3 is a front view of the holding device shown in FIG. 1;

(51) **LOC (7) Cl.** **12-05**

FIG. 4 is a bottom view of the holding device shown in FIG. 1;

(52) **U.S. Cl.** **D34/35**

FIG. 5 is a top view of the holding device shown in FIG. 1;

(58) **Field of Search** D34/29, 35; 452/169, 452/177, 184; D8/499; 198/851, 838, 853, 850; 104/93, 156; 474/212

FIG. 6 is a rear view of the holding device shown in FIG. 1;

FIG. 7 is a perspective view of a second embodiment of a multiple holding device;

FIG. 8 is a right side view of the holding device shown in FIG. 7, the left side view being a mirror thereof;

(56) **References Cited**

U.S. PATENT DOCUMENTS

- 4,815,270 A * 3/1989 Lapeyre 198/853
- 5,042,244 A * 8/1991 Worsley 198/851
- D449,416 S * 10/2001 Horie et al. D34/35

FIG. 9 is a front view of the holding device shown in FIG. 7;

FIG. 10 is a bottom view of the holding device shown in FIG. 7;

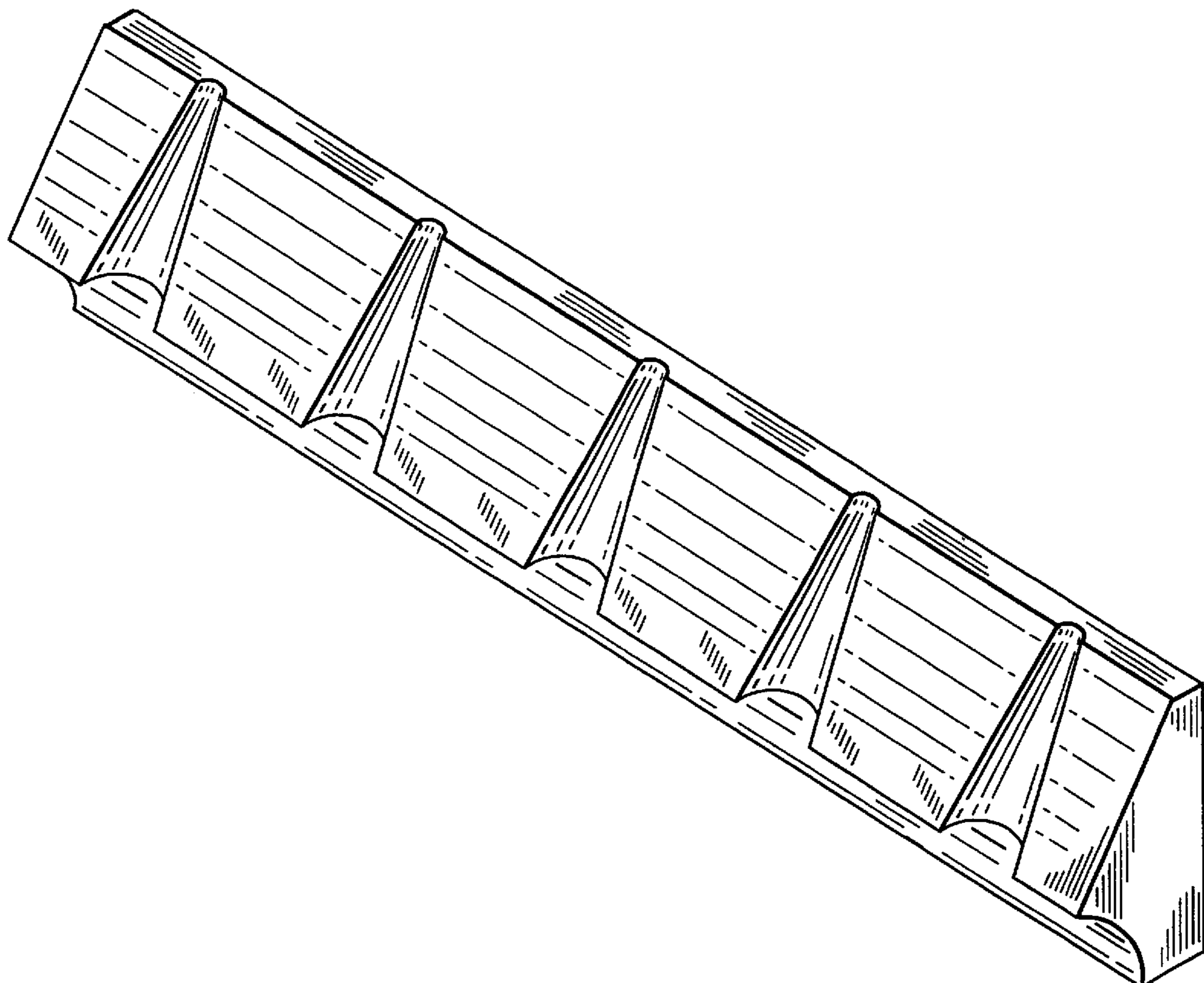
FIG. 11 is a top view of the holding device shown in FIG. 7.

* cited by examiner

Broken line illustrations in the drawings do not form any part of the design(s) sought to be patented or claimed.

Primary Examiner—Cynthia E. Ramirez

1 Claim, 4 Drawing Sheets



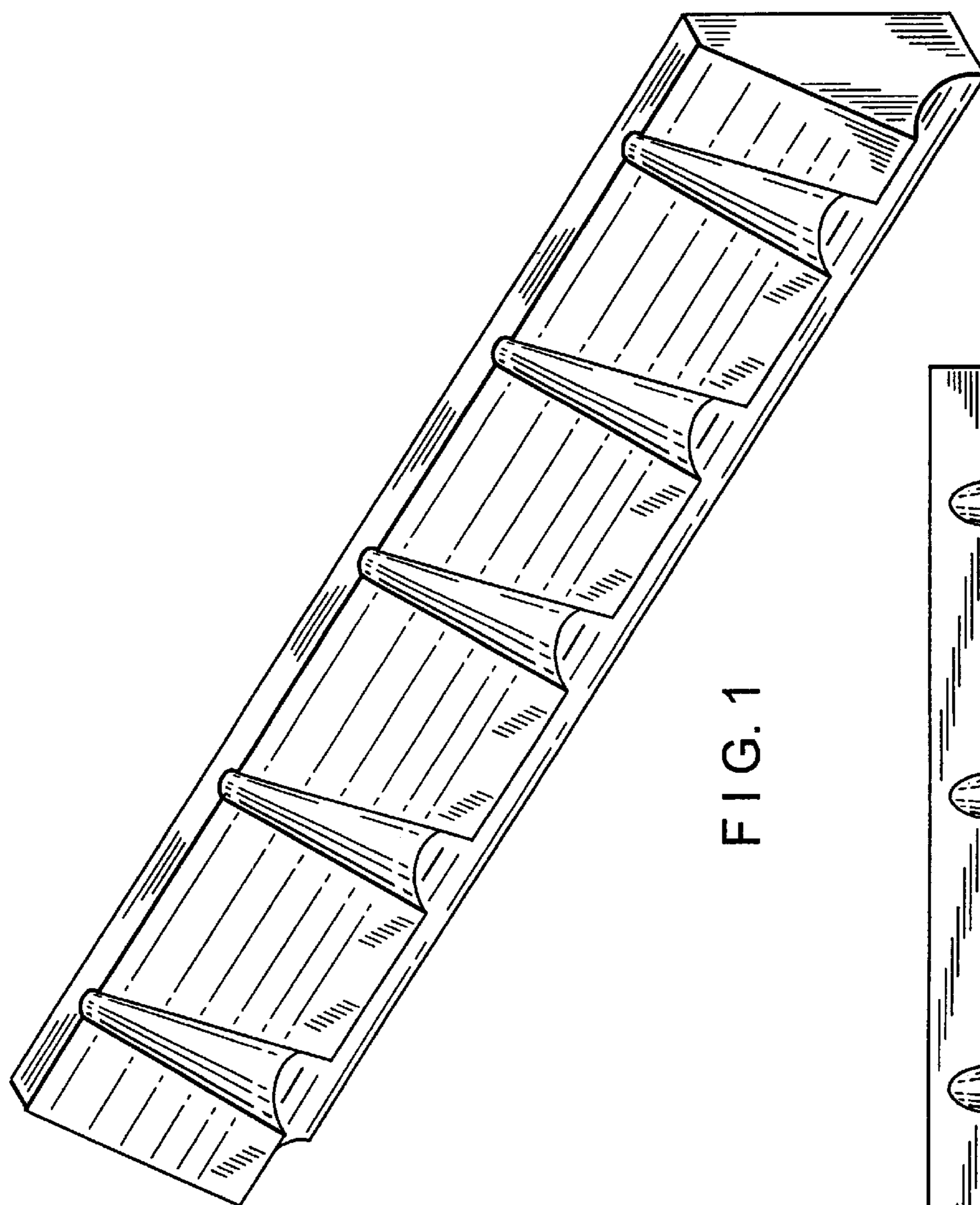


FIG. 1

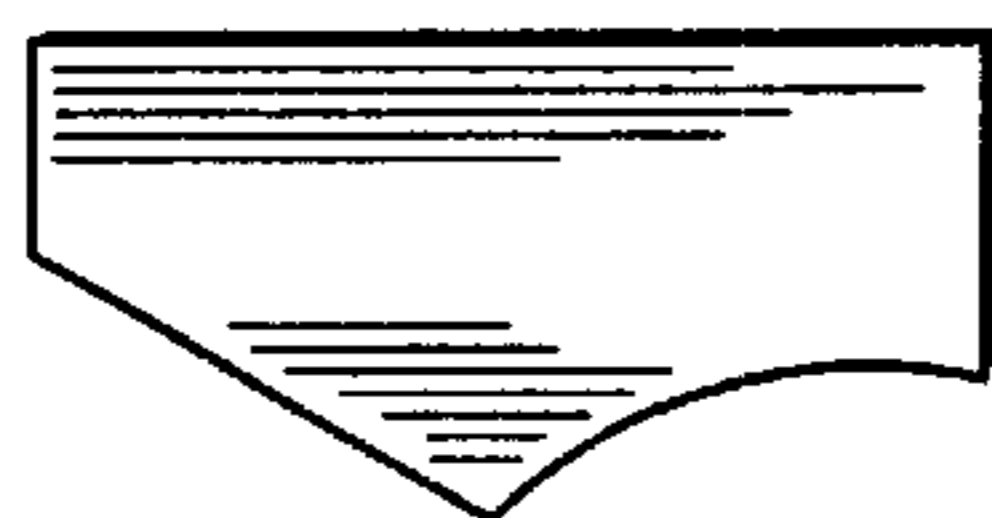


FIG. 2

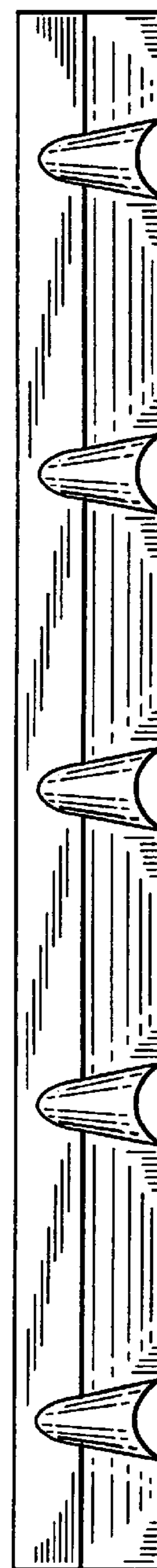


FIG. 3

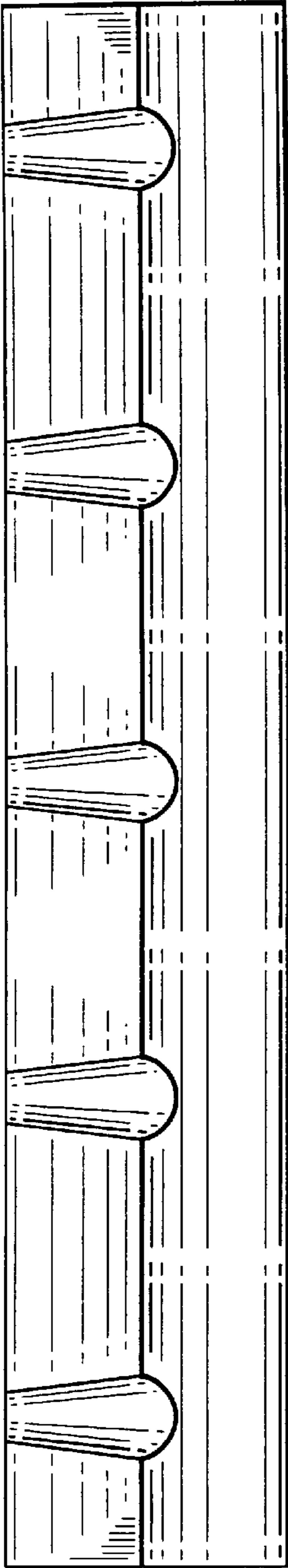


FIG. 4



FIG. 5

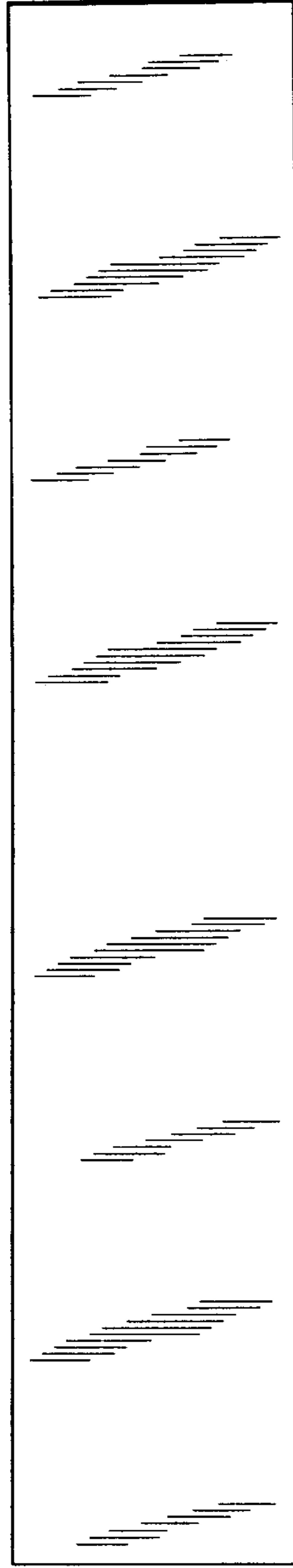


FIG. 6

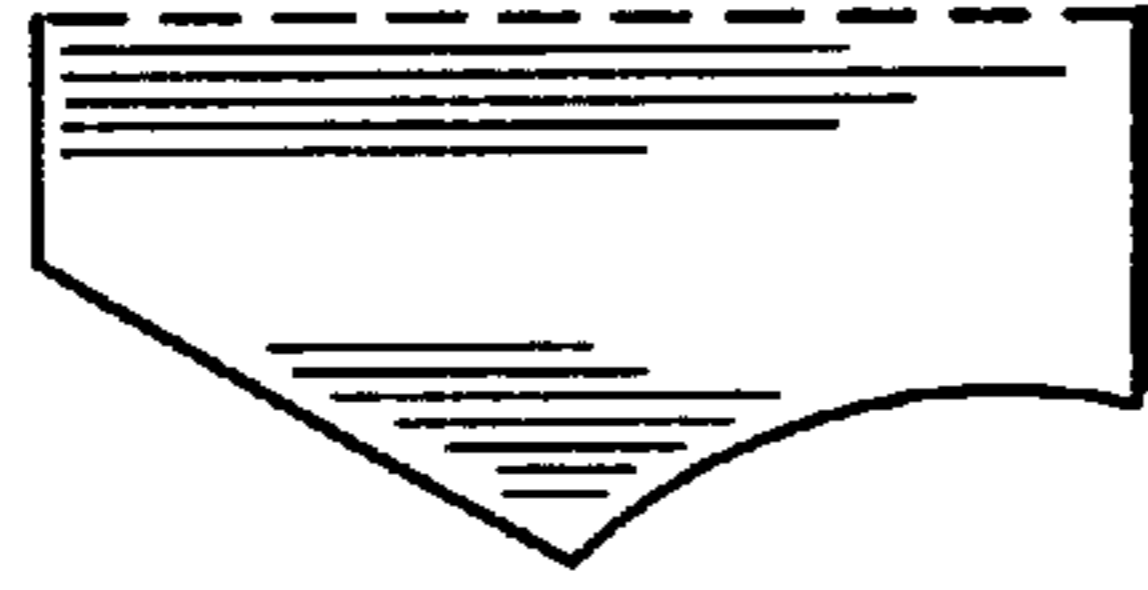


FIG. 8

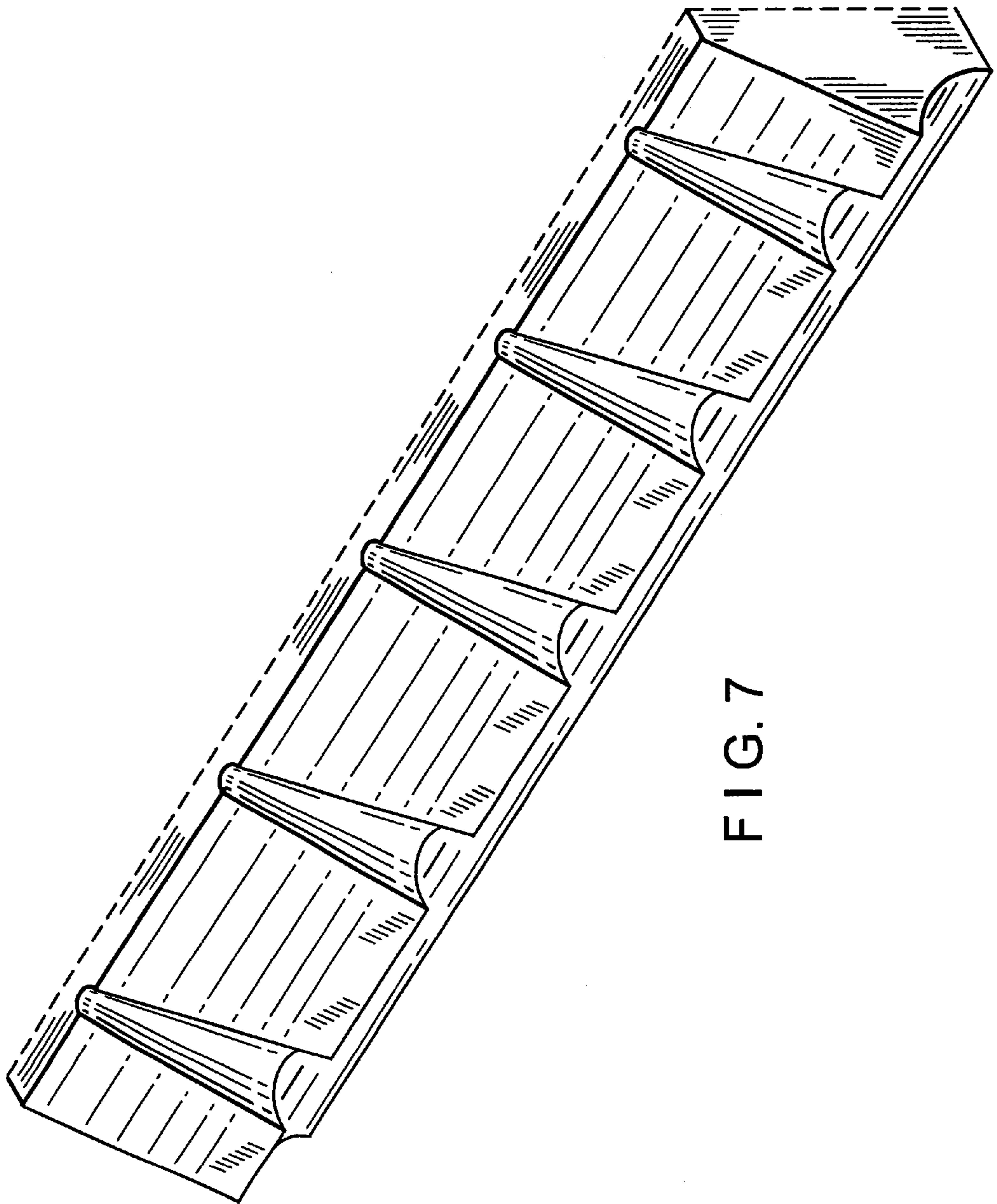


FIG. 7

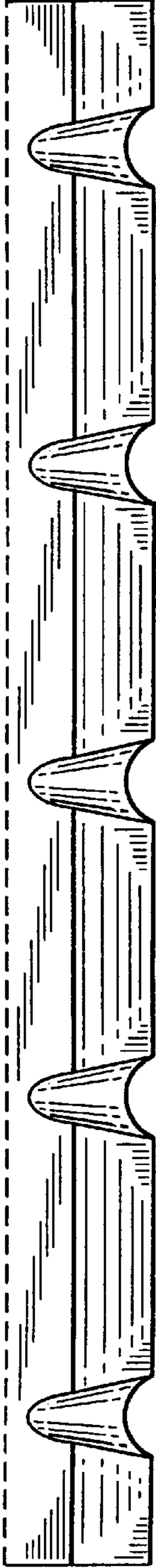


FIG. 9

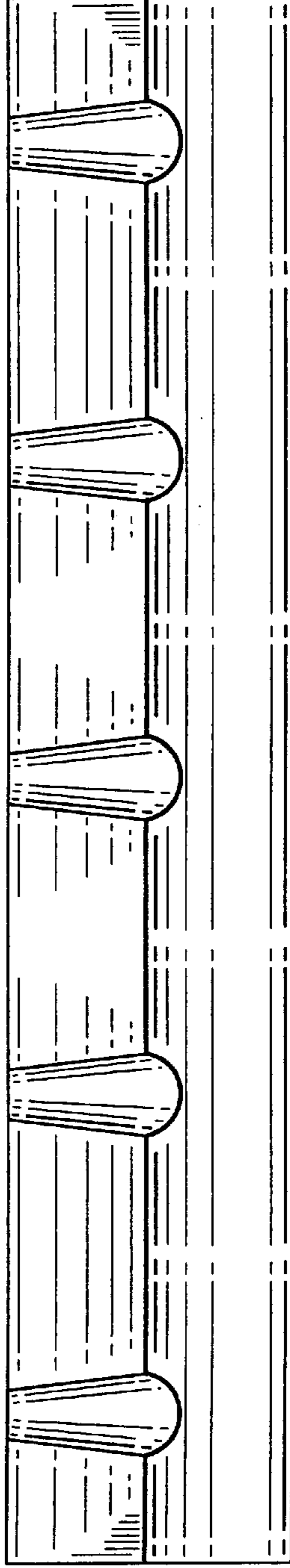


FIG. 10



FIG. 11

UNITED STATES PATENT AND TRADEMARK OFFICE
CERTIFICATE OF CORRECTION

PATENT NO. : Des. 469,940 S
DATED : February 4, 2003
INVENTOR(S) : Speckhart, Jr. et al.

Page 1 of 1

It is certified that error appears in the above-identified patent and that said Letters Patent is hereby corrected as shown below:

Title page,
DESCRIPTION,
Line 17, change "hodling" to -- holding --.

Signed and Sealed this

Twenty-seventh Day of July, 2004

A handwritten signature in black ink that reads "Jon W. Dudas". The signature is written in a cursive style with a large, looped initial "J".

JON W. DUDAS
Acting Director of the United States Patent and Trademark Office