



US00D469938S

(12) **United States Design Patent**
Wareham et al.

(10) **Patent No.:** **US D469,938 S**

(45) **Date of Patent:** **** Feb. 4, 2003**

(54) **BASE FOR AN UPRIGHT EXTRACTOR**

(75) Inventors: **Richard A. Wareham**, North Canton, OH (US); **Richard R. Tucker**, Canton, OH (US)

(73) Assignee: **The Hoover Company**, North Canton, OH (US)

(**) Term: **14 Years**

(21) Appl. No.: **29/157,323**

(22) Filed: **Mar. 14, 2002**

(51) **LOC (7) Cl.** **15-05**

(52) **U.S. Cl.** **D32/32**

(58) **Field of Search** D32/21-22, 31-34, D32/25; 15/350, 320, 322, 415.1-422.1, 410, 383, 329

(56) **References Cited**

U.S. PATENT DOCUMENTS

| | | | | |
|------------|----------|--------------|-------|--------|
| D343,707 S | 1/1994 | Dyson | | D32/22 |
| D358,241 S | * 5/1995 | Bradd | | D32/22 |
| D393,112 S | * 3/1998 | Essex et al. | | D32/31 |
| D396,905 S | * 8/1998 | Bradd | | D32/32 |

| | | | | | |
|-------------|---|---------|-----------------|-------|--------|
| D406,928 S | * | 3/1999 | Rowley et al. | | D32/22 |
| D421,164 S | | 2/2000 | Luebbering | | D32/22 |
| D431,098 S | * | 9/2000 | Saunders et al. | | D32/31 |
| 6,138,322 A | * | 10/2000 | Crouser et al. | | 15/337 |
| D439,380 S | * | 3/2001 | Medema et al. | | D32/22 |

* cited by examiner

Primary Examiner—Ruth McInroy

(74) *Attorney, Agent, or Firm*—A. Burgess Lowe; Brett A. Schenck

(57) **CLAIM**

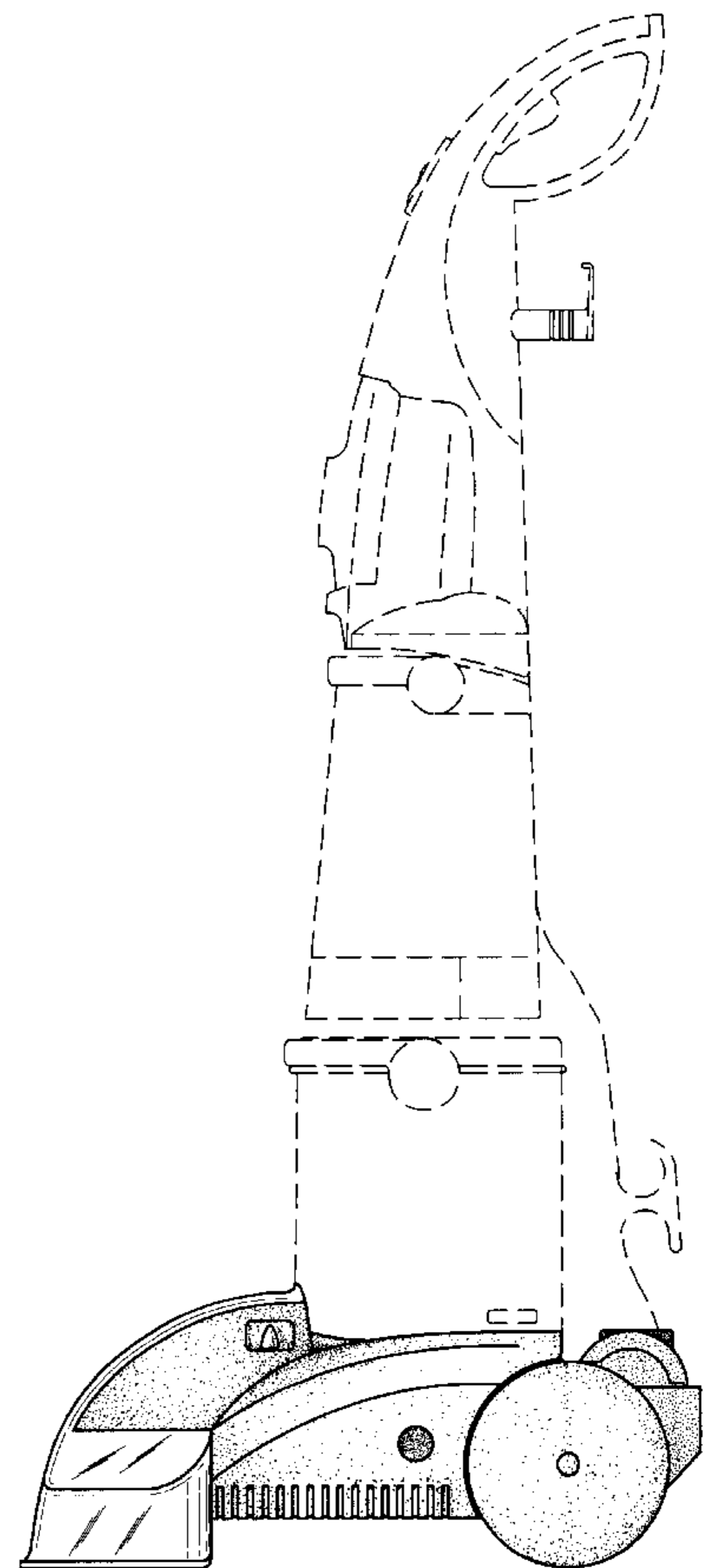
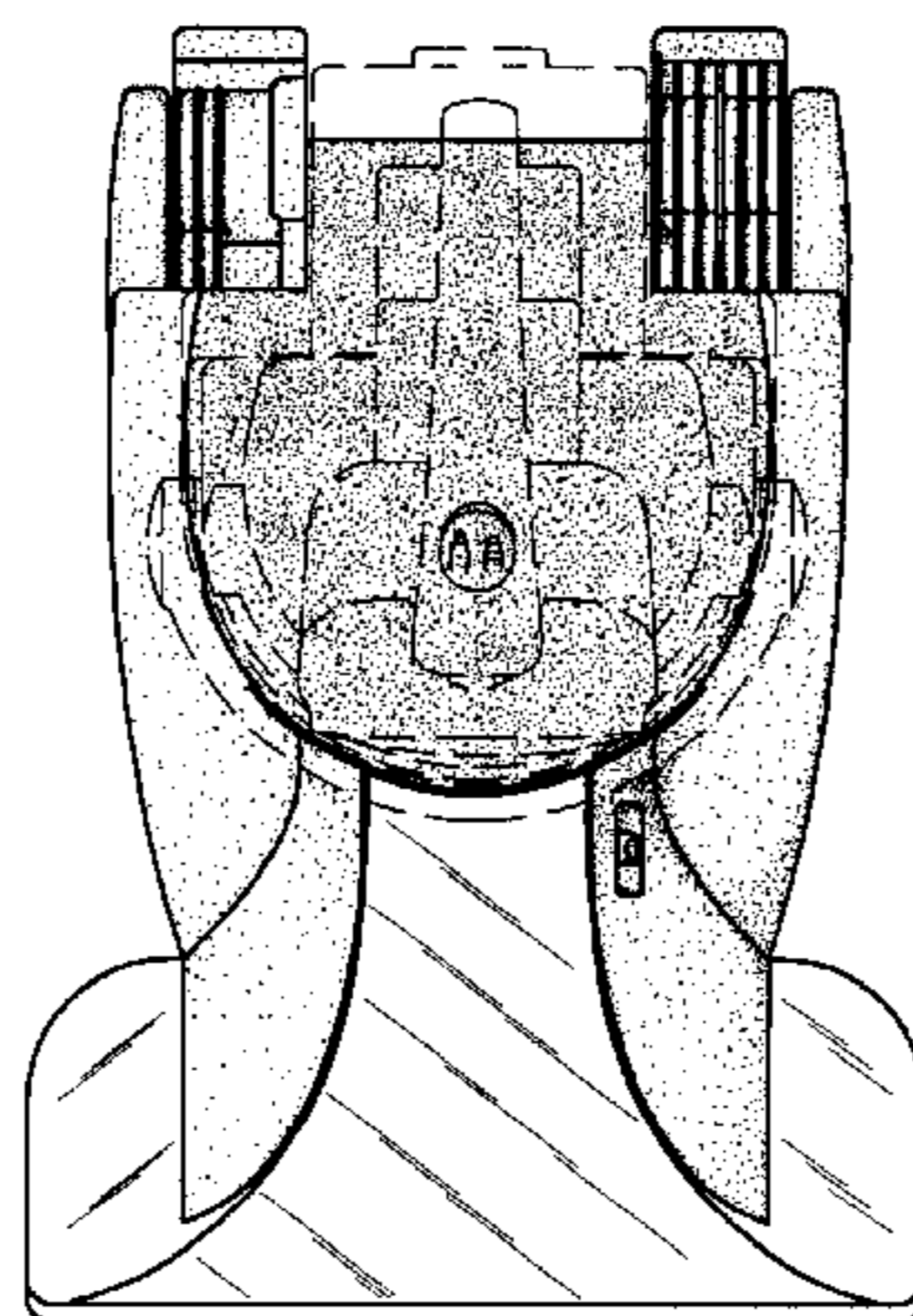
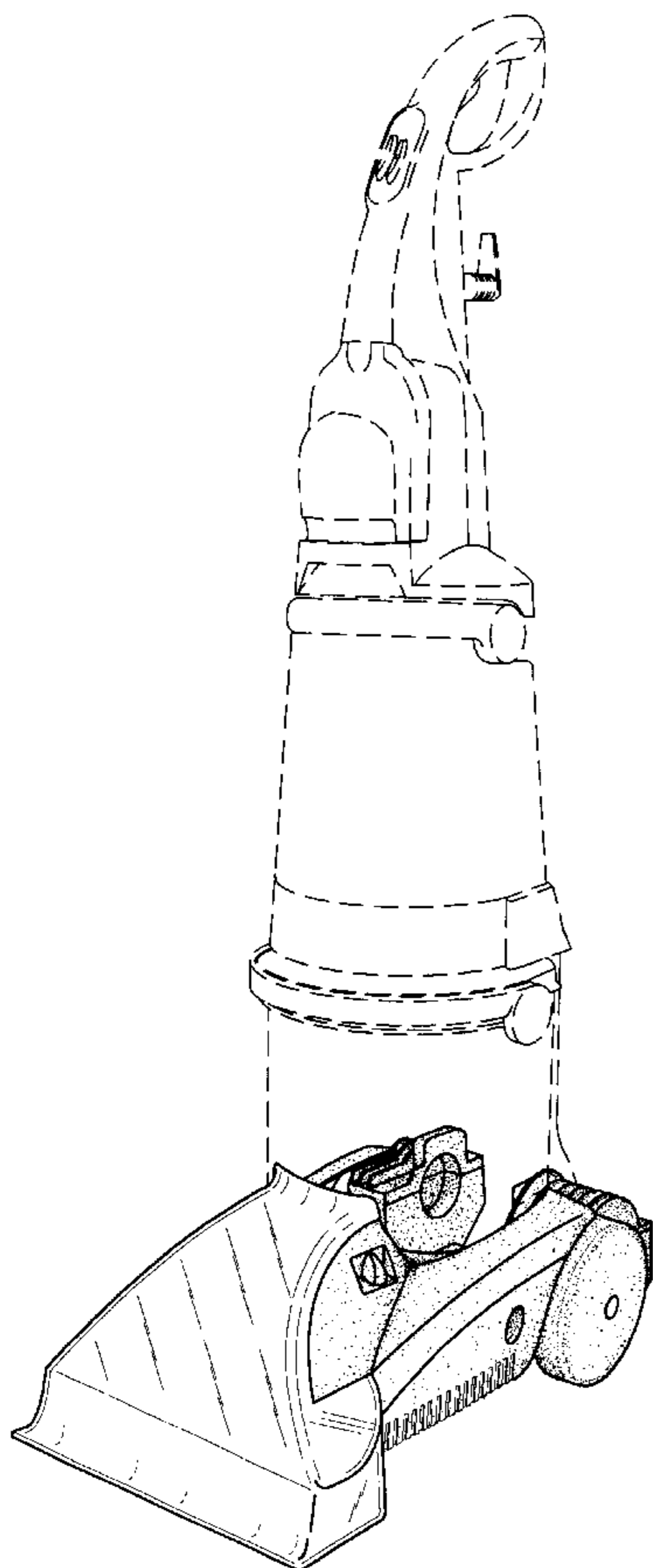
The ornamental design for a base for an upright extractor, as shown and described.

DESCRIPTION

FIG. 1 is a top, front and right side perspective view of a base for an upright extractor showing my new design; FIG. 2 is a top plan view thereof; FIG. 3 is a front view thereof; FIG. 4 is a left side elevational view thereof; FIG. 5 is a right side elevational view thereof; and, FIG. 6 is a rear view thereof.

The details shown in broken lines are shown for illustrative purposes only and form no part of the claimed design.

1 Claim, 6 Drawing Sheets



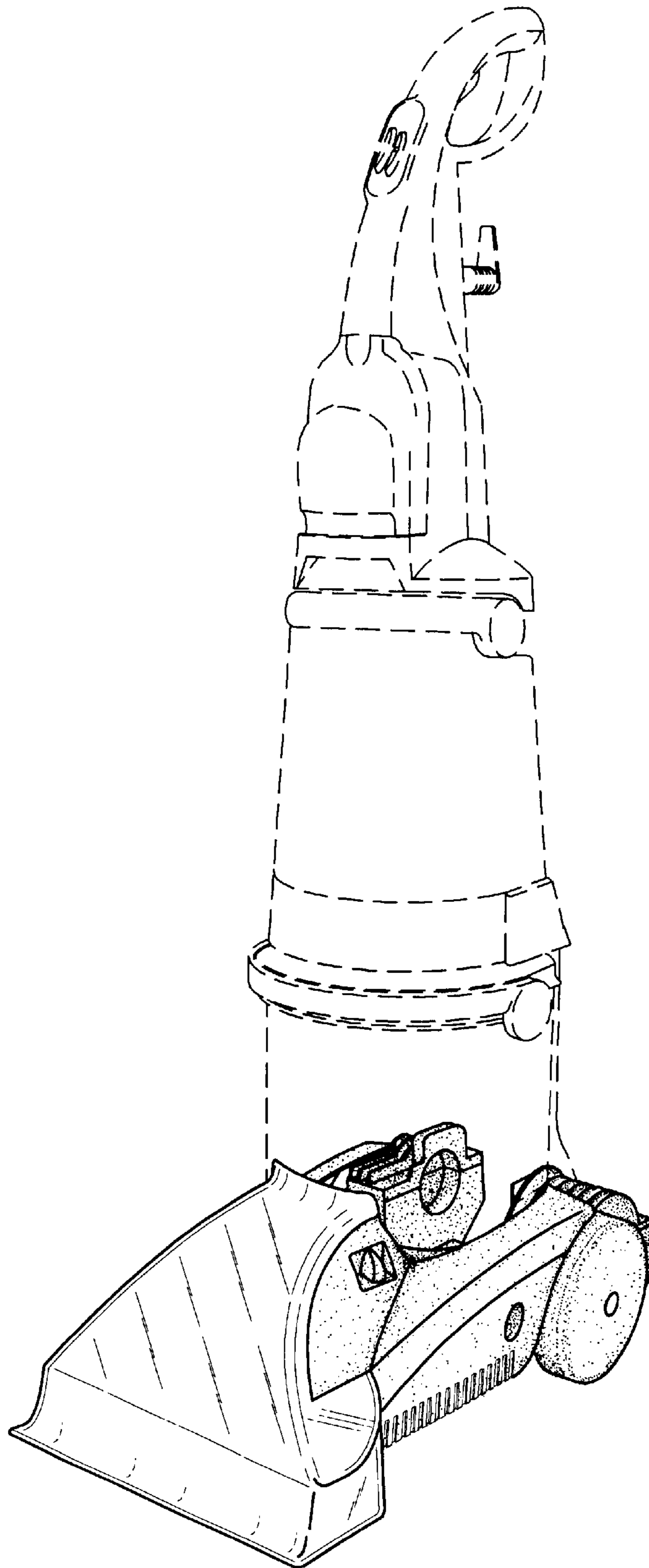


FIG-1

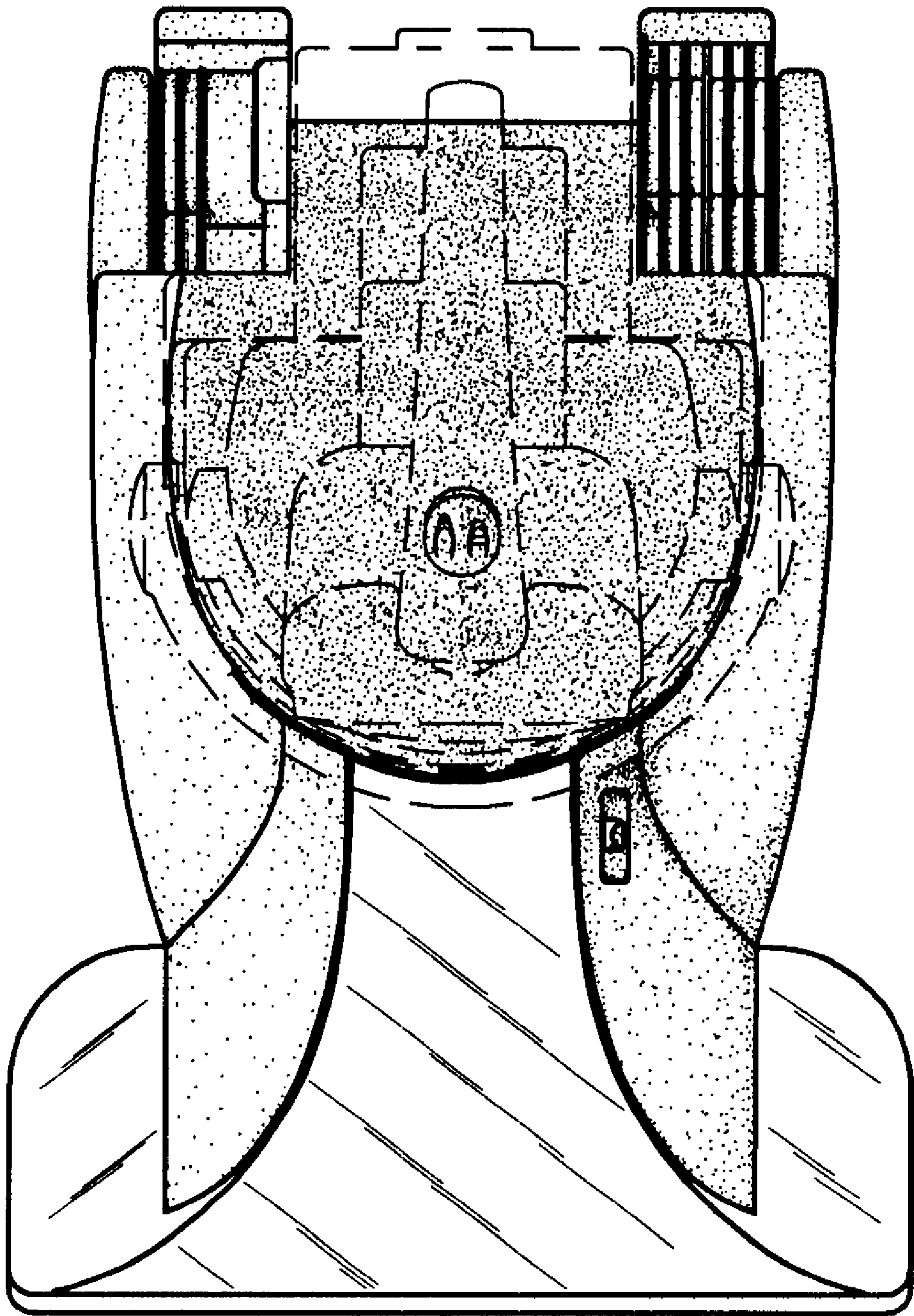


FIG-2

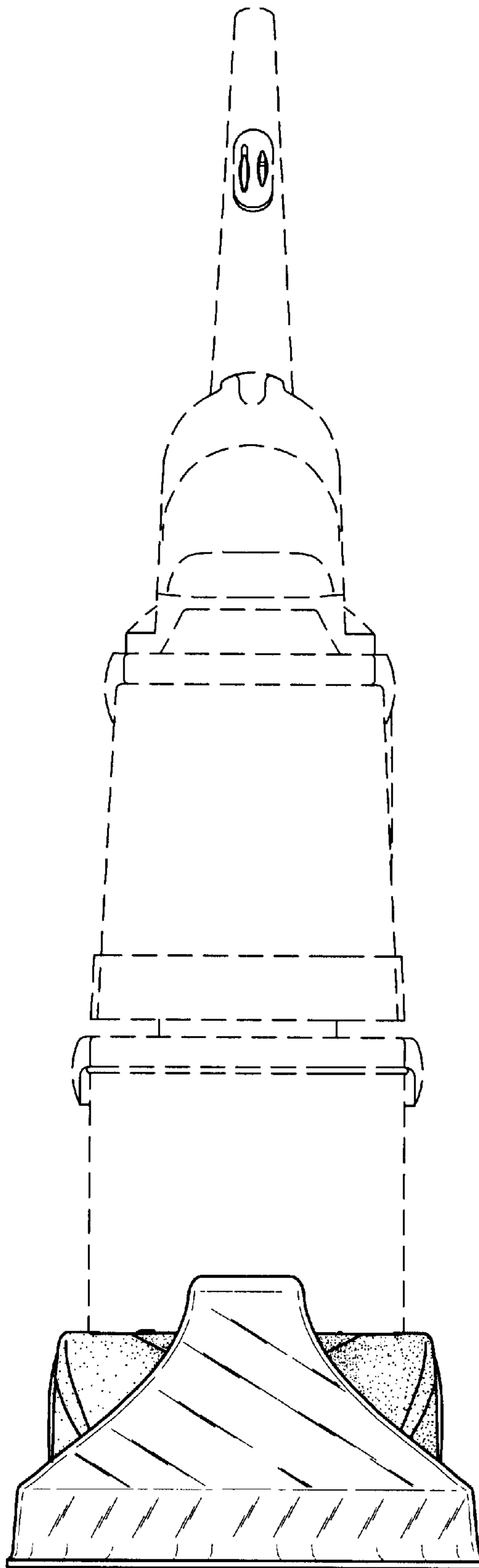


FIG-3

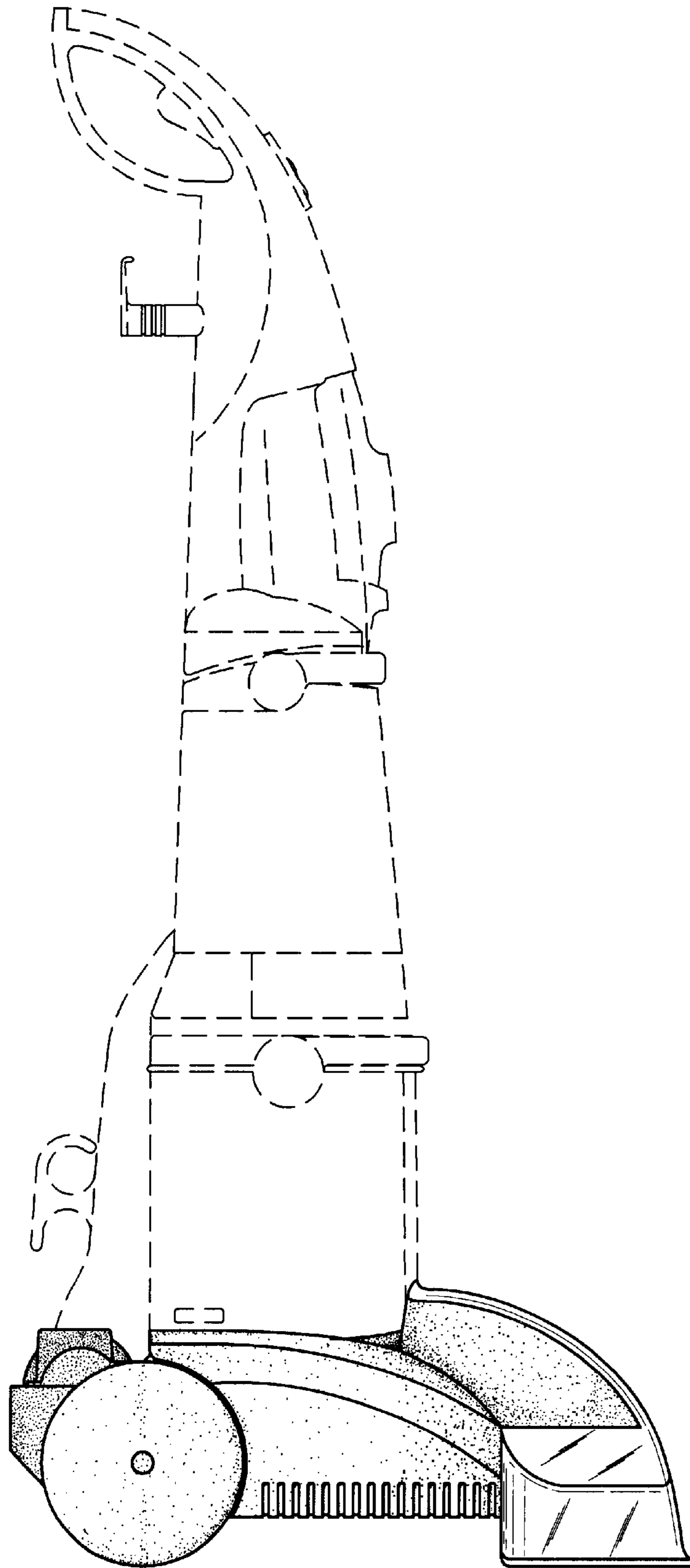


FIG-4

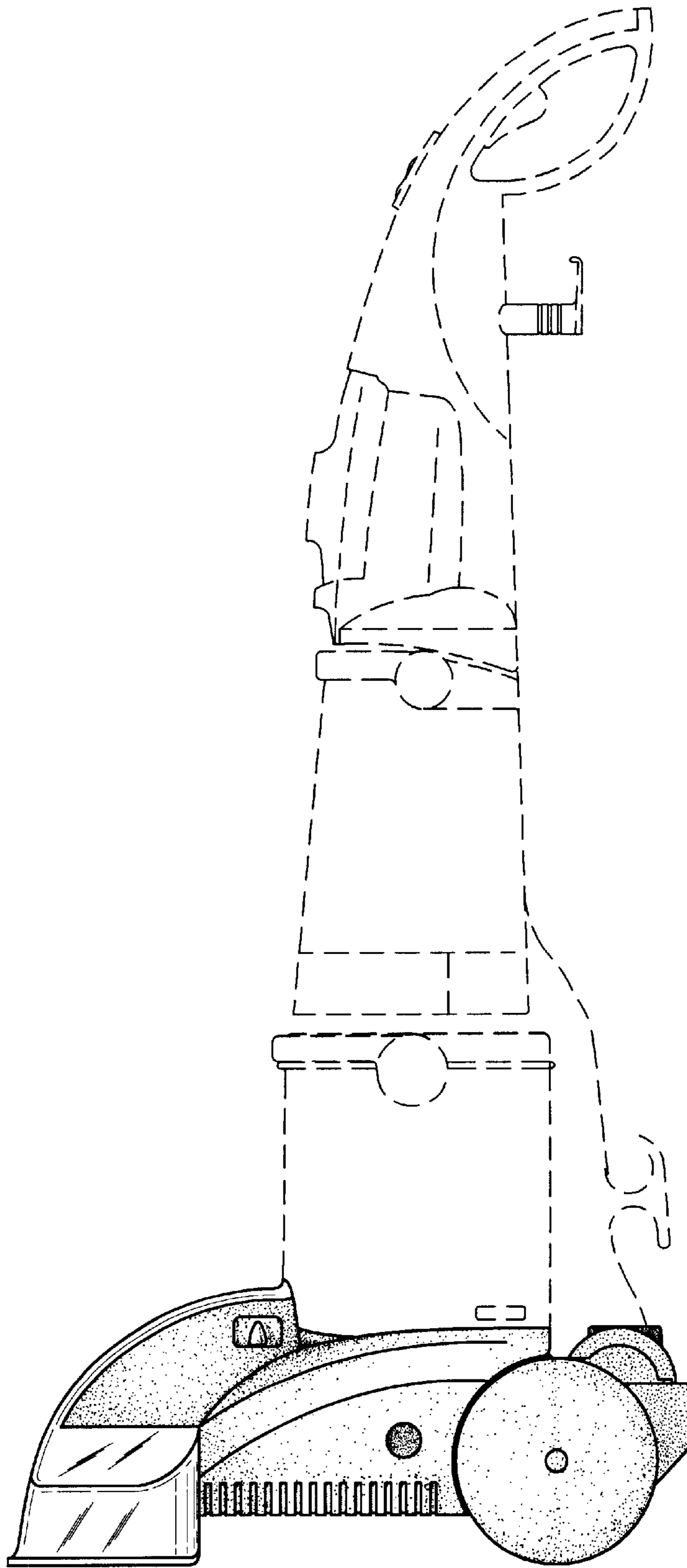


FIG-5

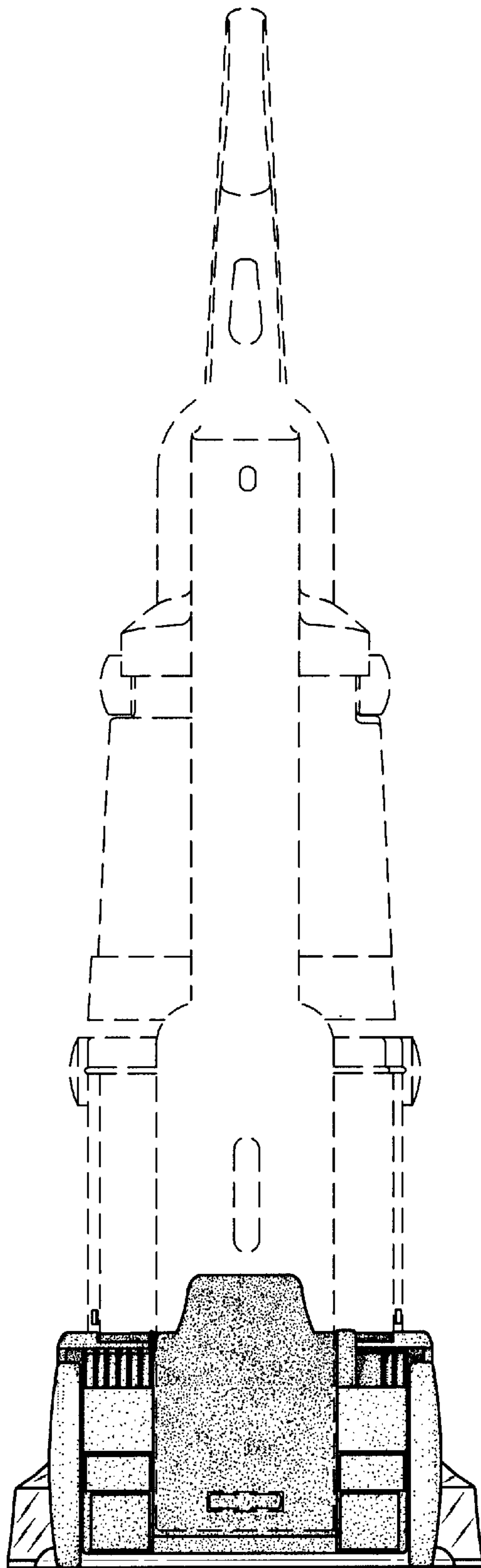


FIG-6