



US00D469934S

(12) **United States Design Patent**
Fry et al.

(10) **Patent No.: US D469,934 S**

(45) **Date of Patent: ** Feb. 4, 2003**

(54) **VACUUM CLEANER WITH DETACHABLE BLOWER**

(75) **Inventors:** Kevin D. Fry, South Williamsport, PA (US); John Griffin, Phoenix, AZ (US); Craig A. Seasholtz, Avis, PA (US); Robert Lent Crevling, Cogan Station, PA (US)

(73) **Assignee:** Shop Vac Corporation, Williamsport, PA (US)

(**) **Term:** 14 Years

(21) **Appl. No.:** 29/156,308

(22) **Filed:** Feb. 27, 2002

(51) **LOC (7) Cl.** 15-05

(52) **U.S. Cl.** D32/23

(58) **Field of Search** D32/21, 23-24, D32/25, 31; 15/321, 323, 327.1-327.2, 327.4, 327.6-327.7, 412

(56) **References Cited**

U.S. PATENT DOCUMENTS

2,920,337 A	1/1960	Smith	417/423.3
D287,171 S	12/1986	Berfield et al.	32/25
4,797,072 A	1/1989	Berfield et al.	417/423.3
4,836,753 A	6/1989	Berfield et al.	417/236
4,880,364 A	11/1989	Berfield	417/423.3
4,947,513 A	8/1990	Everts	15/330
D315,624 S	3/1991	Kimura et al.	32/23
5,144,716 A	9/1992	Watanabe et al.	15/323
D357,336 S	4/1995	Moine et al.	32/23
D357,773 S	4/1995	Wareham et al.	32/23
5,404,614 A	4/1995	Stephens	15/327.2
D358,010 S	5/1995	Berfield et al.	32/23
D361,179 S	8/1995	Moine et al.	32/23
D362,091 S	9/1995	Tomasiak et al.	32/23
D372,567 S	8/1996	Moine et al.	32/23

(List continued on next page.)

OTHER PUBLICATIONS

- U.S. patent application Ser. No. 29/141,598, Griffin, filed May 9, 2001.
- U.S. patent application Ser. No. 29/141,599, Griffin, filed May 9, 2001.
- U.S. patent application Ser. No. 29/141,600, Griffin, filed May 9, 2001.
- U.S. patent application Ser. No. 29/153,938, Griffin, filed Jan. 14, 2002.
- U.S. patent application Ser. No. 29/153,961, Griffin, Jan. 14, 2002.
- U.S. patent application Ser. No. 29/154,005, Griffin et al., Jan. 14, 2002.
- U.S. patent application Ser. No. 29/154,018, Griffin et al., Jan. 14, 2002.
- U.S. patent application Ser. No. 29/154,025, Griffin, Jan. 14, 2002.
- SHOP-VAC Brochure, QSP Series, Quiet Super Power Wet/Dry Vacs, Model Nos. 900-80 thru 900-84, dated Aug. 1993.
- SHOP-VAC Brochure, 707 Series Super Performance Wet/Dry Vacs. Model No. 707-10, dated Mar. 1991.

(List continued on next page.)

Primary Examiner—Ruth McInroy

(74) *Attorney, Agent, or Firm*—Marshall, Gerstein & Borun

(57) **CLAIM**

The ornamental design for a vacuum cleaner with detachable blower, as shown and described.

DESCRIPTION

FIG. 1 is a left side perspective view of a vacuum cleaner with detachable blower taken from the front and above, showing our new design;

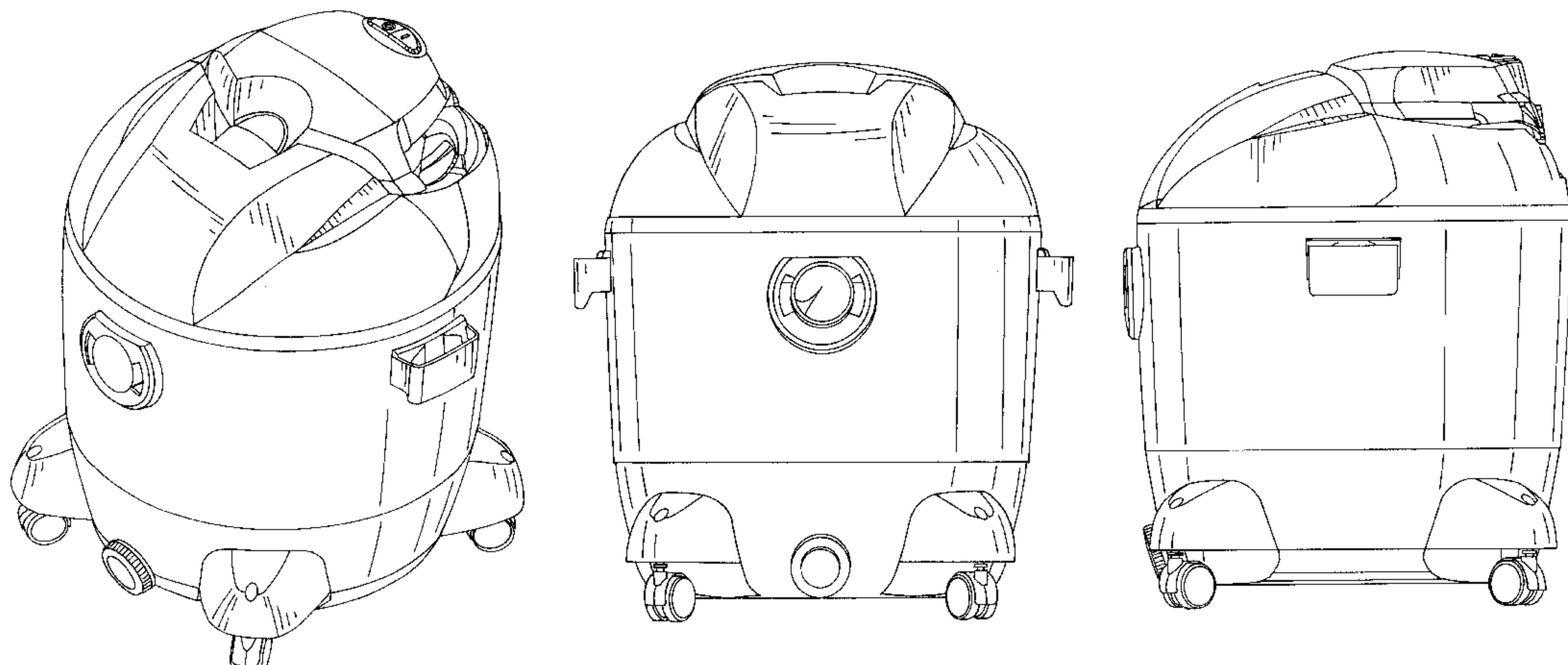
FIG. 2 is a front view thereof;

FIG. 3 is a left elevational view, the right elevational view being a mirror image thereof;

FIG. 4 is a rear view thereof; and,

FIG. 5 is a top plan view thereof.

1 Claim, 5 Drawing Sheets



U.S. PATENT DOCUMENTS

D373,862 S	9/1996	Stephens et al.	32/23
D378,152 S	2/1997	deBlois et al.	32/21
5,606,769 A	3/1997	Tomasiak et al.	15/327.6
D383,575 S	9/1997	Griffin	32/23
D384,448 S	9/1997	Stephens et al.	32/23
D388,565 S	12/1997	Pietrobon	32/23
D389,962 S	1/1998	Berfield et al.	32/23
D395,119 S	6/1998	Berfield et al.	34/23
5,768,749 A	6/1998	Ohi et al.	15/405
5,943,731 A	8/1999	Wood	15/323
D418,264 S	12/1999	Rees	32/19
6,055,700 A	5/2000	Hlosten et al.	15/327.2
D429,042 S	8/2000	Griffin et al.	32/23
D429,855 S	8/2000	Griffin	32/23
D429,857 S	8/2000	Griffin	32/23
D430,367 S	8/2000	Griffin	32/23
D430,713 S	9/2000	Griffin	32/23
D438,353 S	2/2001	Hoshino et al.	32/23
D438,678 S	3/2001	Griffin	32/21
D439,710 S	3/2001	Griffin	32/31
D444,274 S	6/2001	Griffin	32/15
D444,276 S	6/2001	Griffin	32/31
D445,548 S	7/2001	Griffin	32/21
D445,549 S	7/2001	Griffin	32/31
D446,892 S	8/2001	Griffin	32/23
D447,292 S	8/2001	Griffin	32/23
D447,293 S	8/2001	Griffin	32/23
D447,842 S	9/2001	Griffin	32/23

D447,843 S	9/2001	Griffin	32/23
D447,844 S	9/2001	Griffin	32/31
D452,052 S	12/2001	Griffin	32/23
6,324,721 B2	12/2001	Doragrip	15/326
D454,672 S	3/2002	Griffin	32/23

OTHER PUBLICATIONS

- SHOP-VAC Brochure, QSP Series—Quiet Super Performance Wet/Dry Vacs, Models 900-86 and 900-87, dated Aug. 1993.
- SHOP-VAC Brochure, QSP Series—Quiet Super Power Wet/Dry Vacs, Model No. 900-29, dated Aug. 1993.
- SHOP-VAC Brochure, Series 914—Quiet Super Performance Wet/Dry Vacs, Model Nos. 914-15 and 914-27, dated Apr. 1997.
- SHOP-VAC Brochure, FLOORMASTER, Wet & Dry Cleaning System, Model No. 909-50, dated Jan. 1989.
- SHOP-VAC Brochure, The QSP Line of Wet /Dry Vacs from Shop Vac, dated 1994.
- SHOP-VAC Brochure, ALL AROUND Vac, dated 1997.
- SHOP-VAC Brochure, QSP PRO, dated 1998.
- SHOP-VAC Brochure, QPV, dated 1997.
- SHOP-VAC Brochure, 1X1 Wet/Dry Vac, dated 1997.
- Karcher Catalogue, High Performance Wet and Dry Vacuums, Dust Extraction and Spray Extraction Machines, dated 1999.

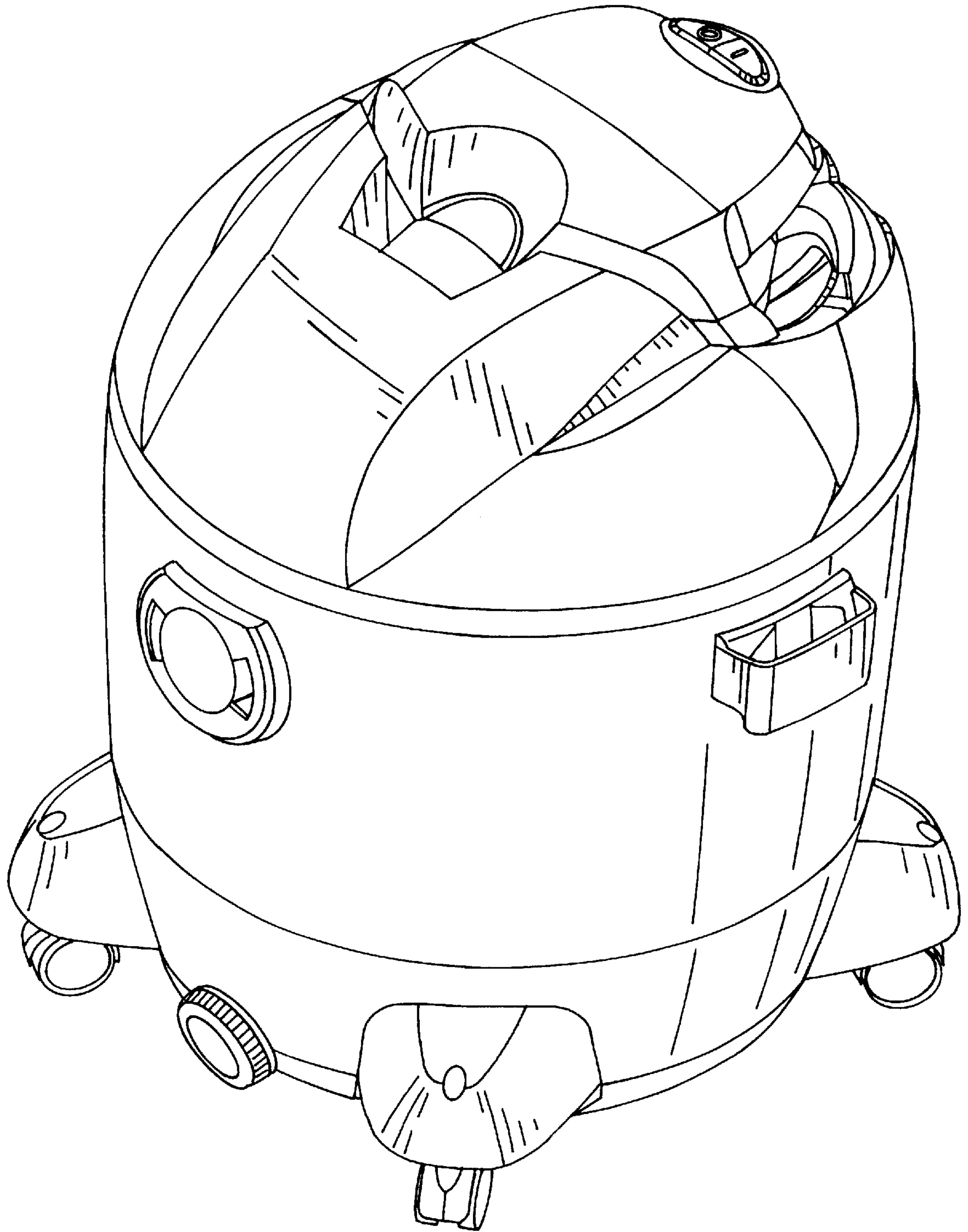


FIG. 1

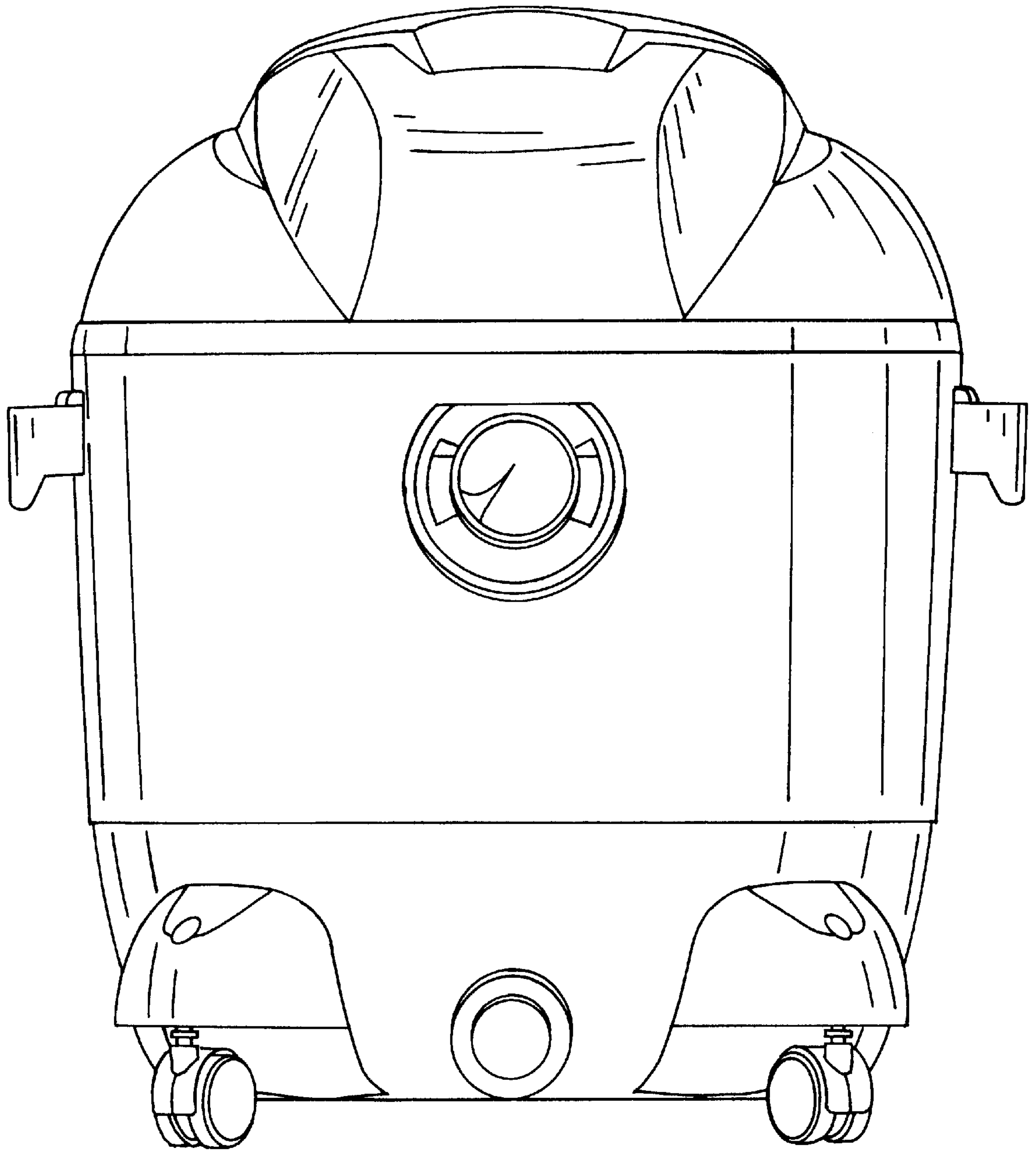


FIG. 2

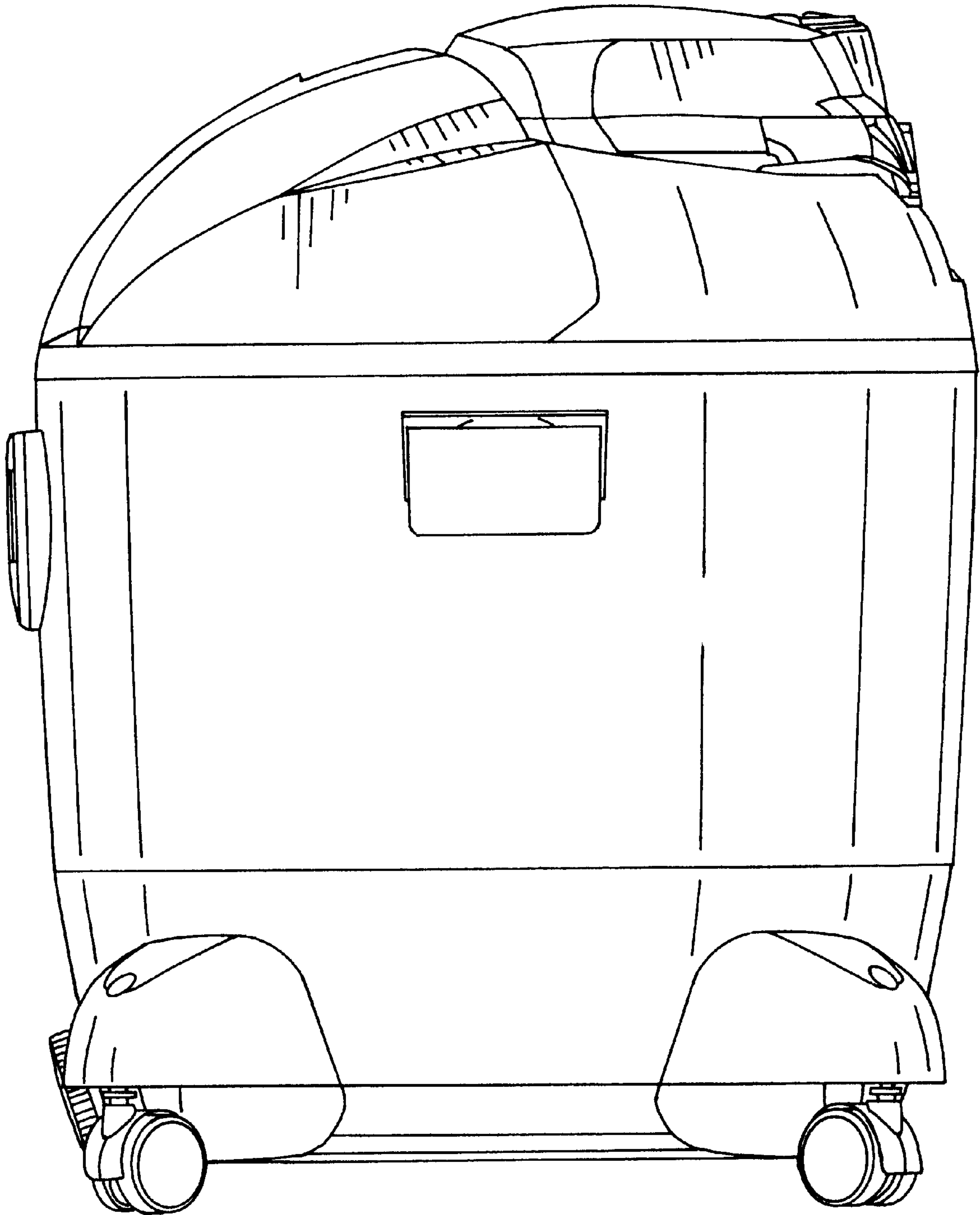


FIG. 3

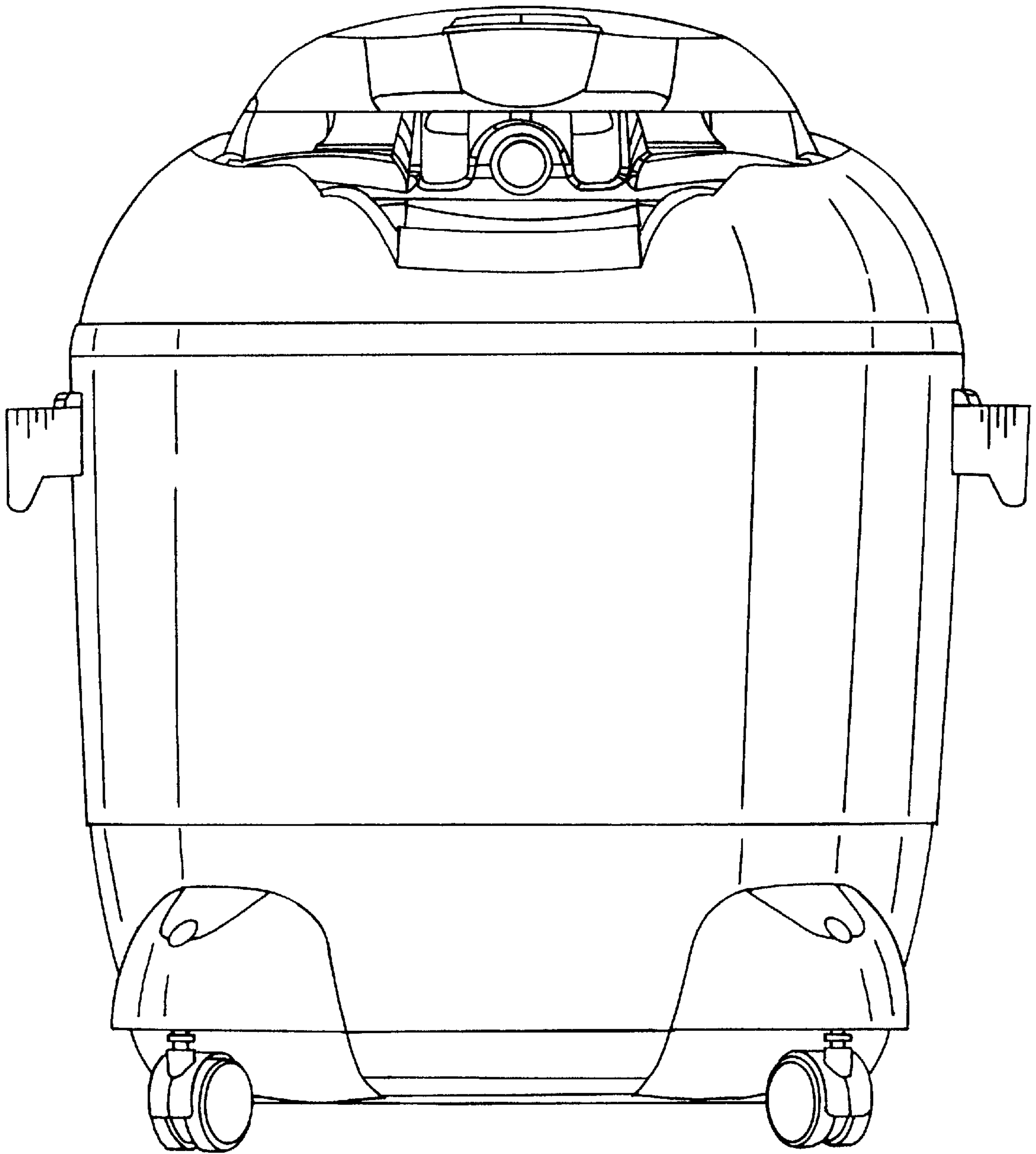


FIG. 4

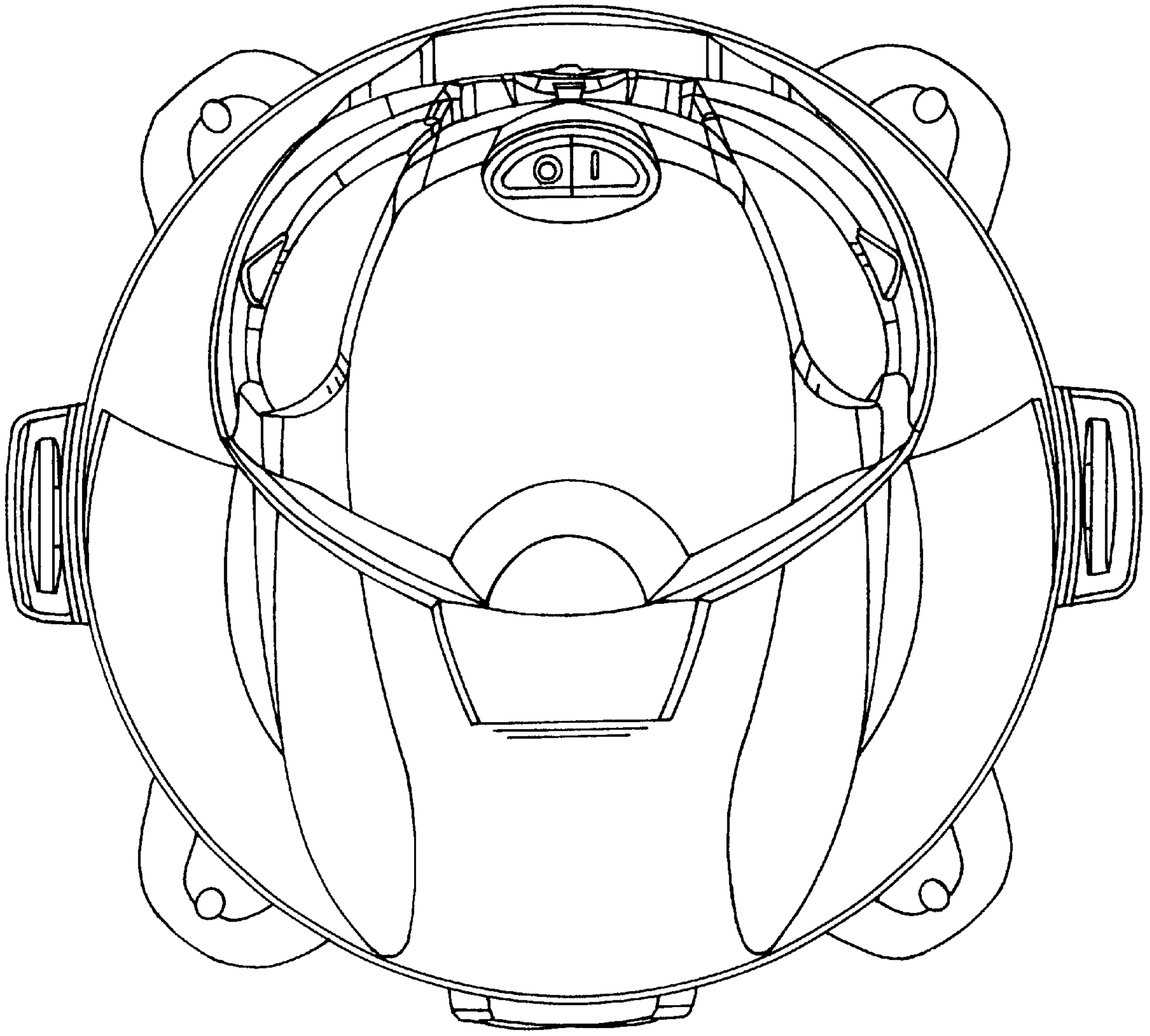


FIG. 5