



US00D469933S

(12) **United States Design Patent**
Liang-Ming

(10) **Patent No.:** **US D469,933 S**

(45) **Date of Patent:** **** Feb. 4, 2003**

(54) **WAXING AND POLISHING DEVICE**

(76) Inventor: **Hong Liang-Ming**, 138 Huang Yang
Shan Road, Wenling, Zhejiang (CN),
317500

(**) Term: **14 Years**

(21) Appl. No.: **29/156,505**

(22) Filed: **Mar. 1, 2002**

(51) **LOC (7) Cl.** **15-05**

(52) **U.S. Cl.** **D32/15**

(58) **Field of Search** D32/1, 15, 19;
D8/61-70; 15/97.1, DIG. 10; 451/353-360,
344

(56) **References Cited**

U.S. PATENT DOCUMENTS

D273,173 S	3/1984	Poon	D8/62
D312,714 S	12/1990	Simonelli et al.	D32/19
D326,398 S	* 5/1992	Fushiya et al.	D8/62
D332,734 S	* 1/1993	Fushiya et al.	D4/102
D345,089 S	* 3/1994	Kikuchi et al.	D8/62
5,419,737 A	* 5/1995	Brazell et al.	451/453
D386,376 S	* 11/1997	Kaneko et al.	D8/62
D392,861 S	* 3/1998	Gildersleeve et al.	D8/62

D416,112 S	* 11/1999	Holliday et al.	D32/19
D418,263 S	* 12/1999	Rees	D32/19
D432,744 S	10/2000	Schuda et al.	D32/19

* cited by examiner

Primary Examiner—Nelson C. Holtje

(74) *Attorney, Agent, or Firm*—Myers Dawes & Andras;
Vic Y. Lin; Joseph C. Andras

(57) **CLAIM**

I claim the ornamental design for the waxing and polishing device, as shown and described.

DESCRIPTION

FIG. 1 is a top perspective view of a waxing and polishing device;

FIG. 2 is a front view of the waxing and polishing device;

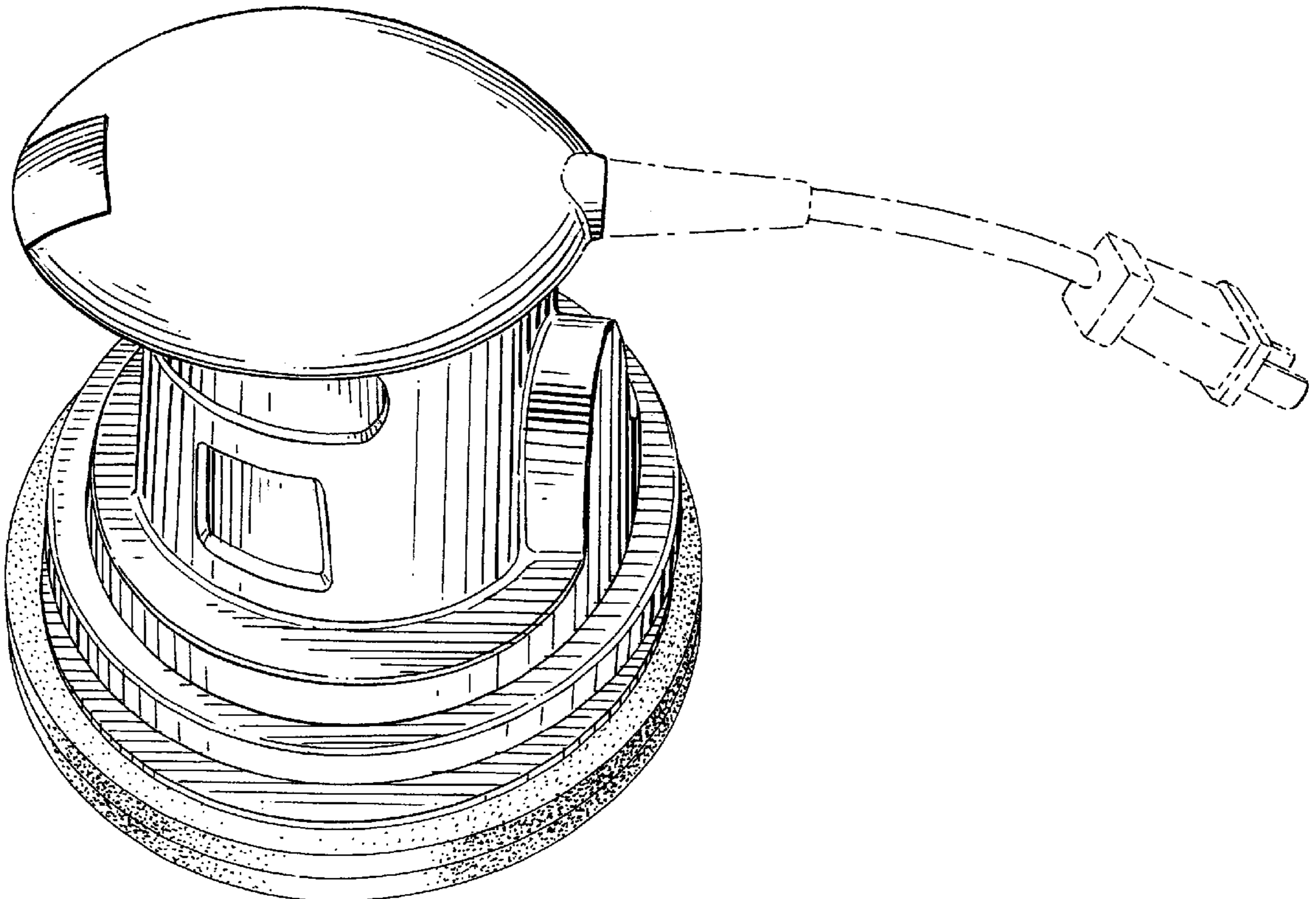
FIG. 3 is a right side view of the waxing and polishing device, the left side view of which is a mirror image;

FIG. 4 is a rear view of the waxing and polishing device; and,

FIG. 5 is a bottom plan view of the waxing and polishing device.

The broken line showing of a power cord is for illustrative purposes only and forms no part of the claimed design.

1 Claim, 5 Drawing Sheets



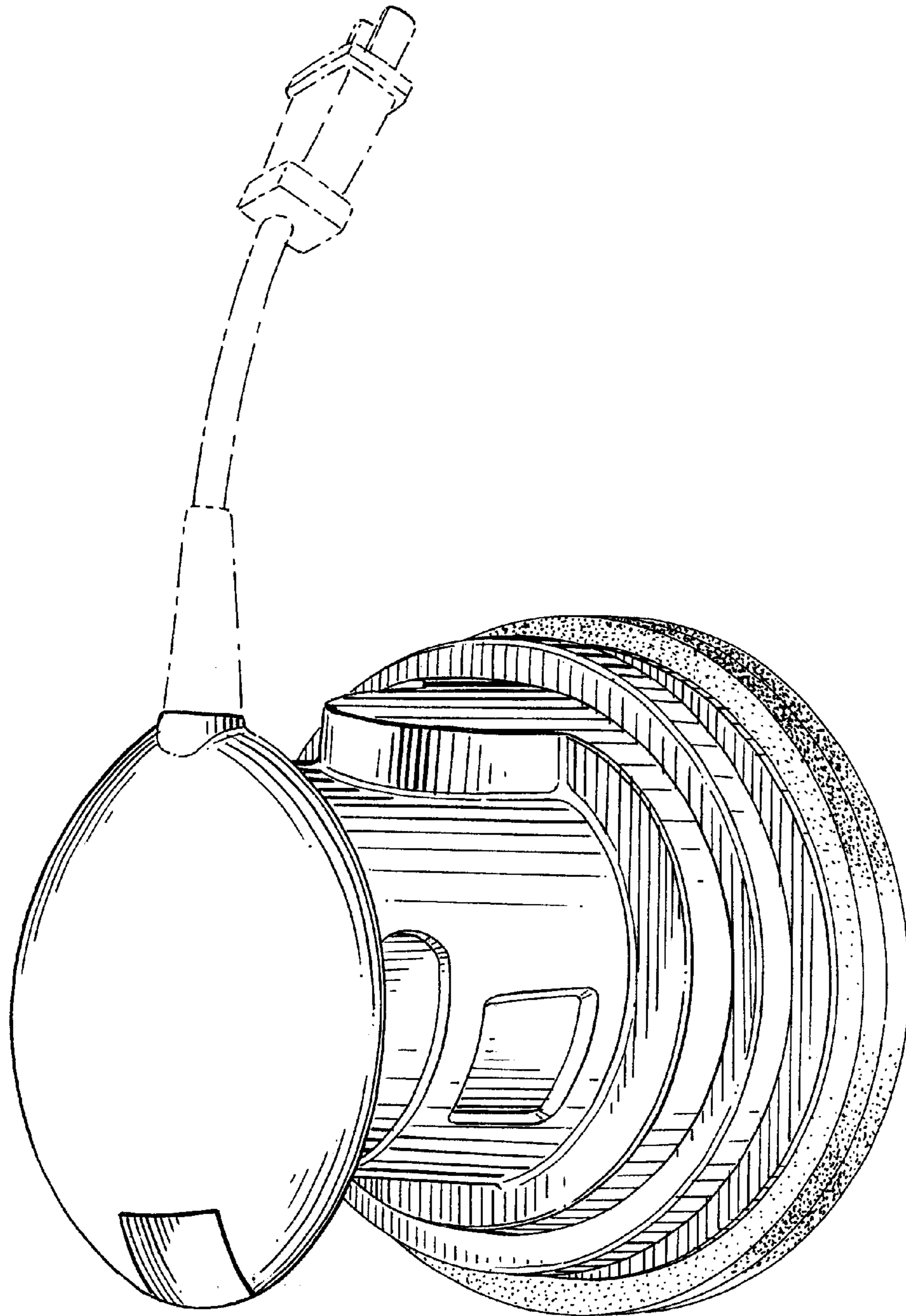


FIG. 1

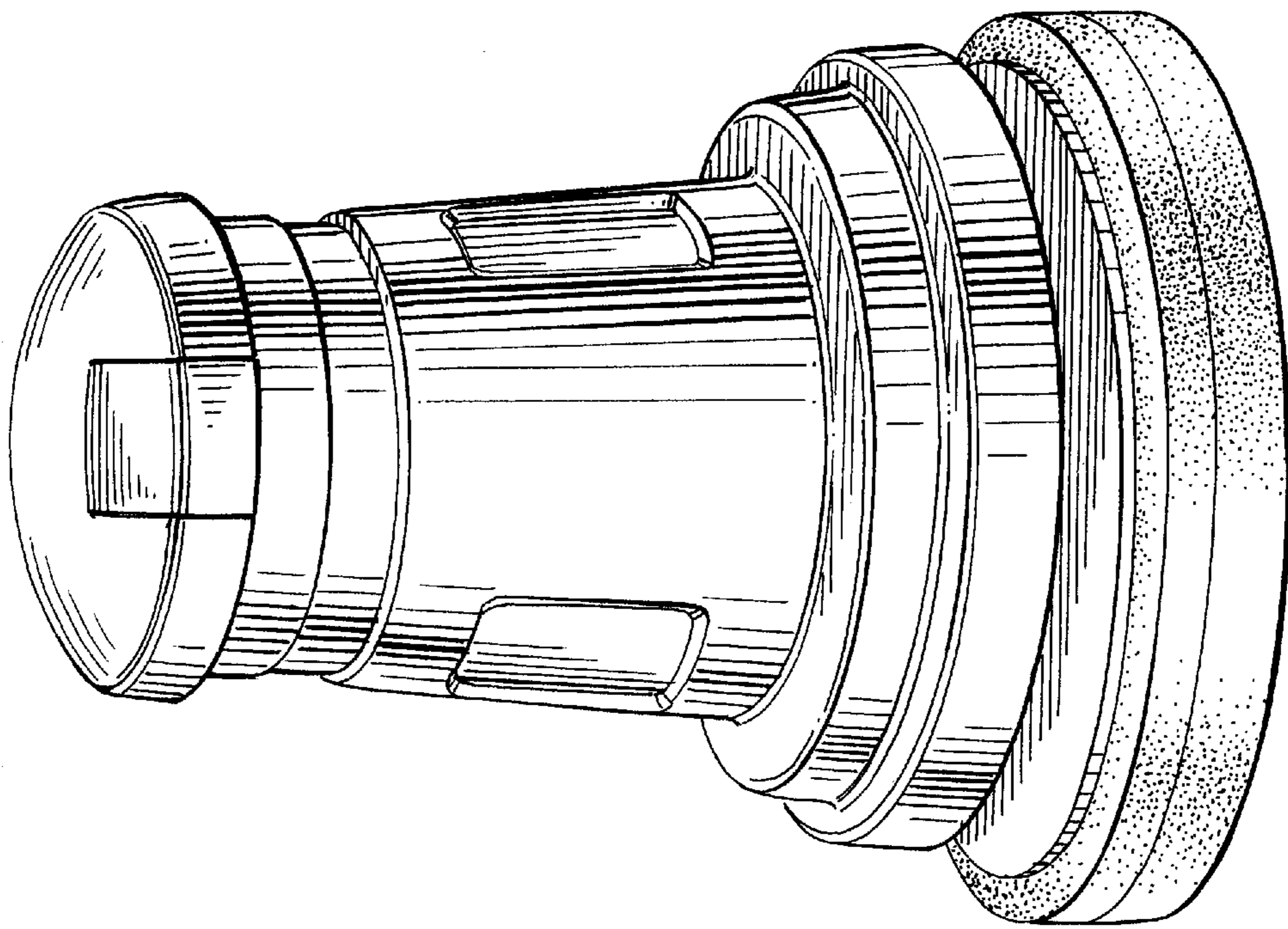


FIG. 2

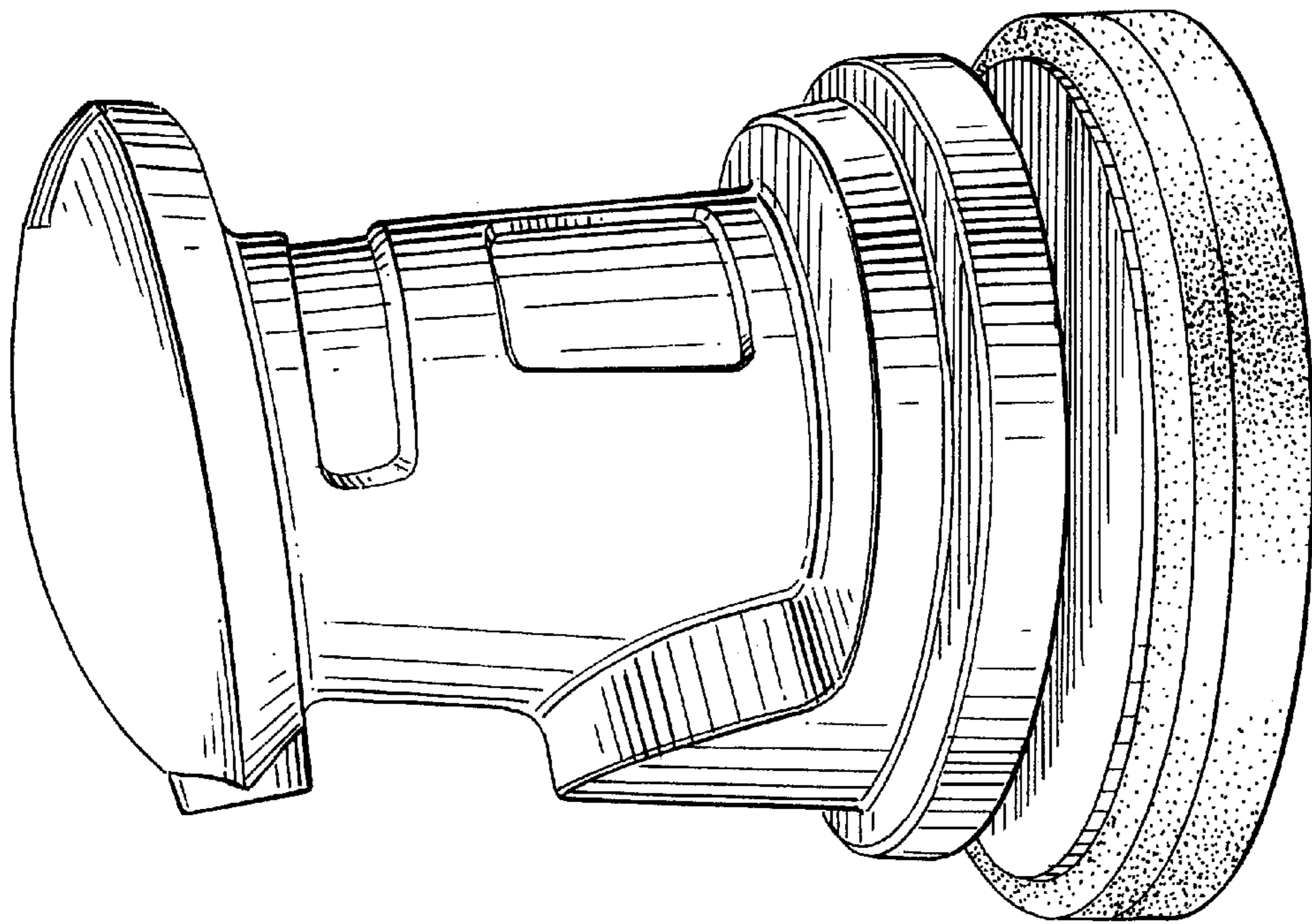


FIG. 3

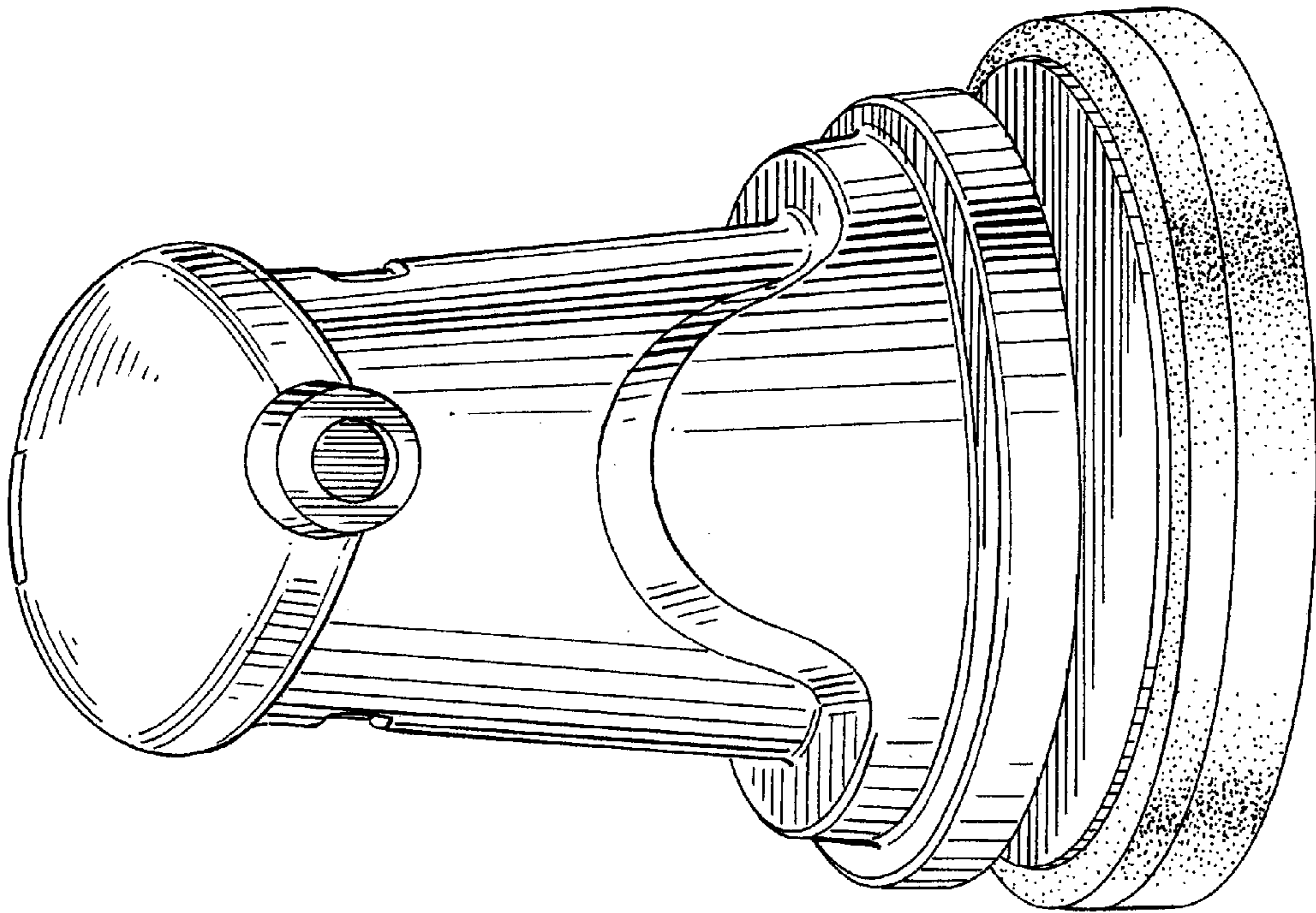


FIG. 4

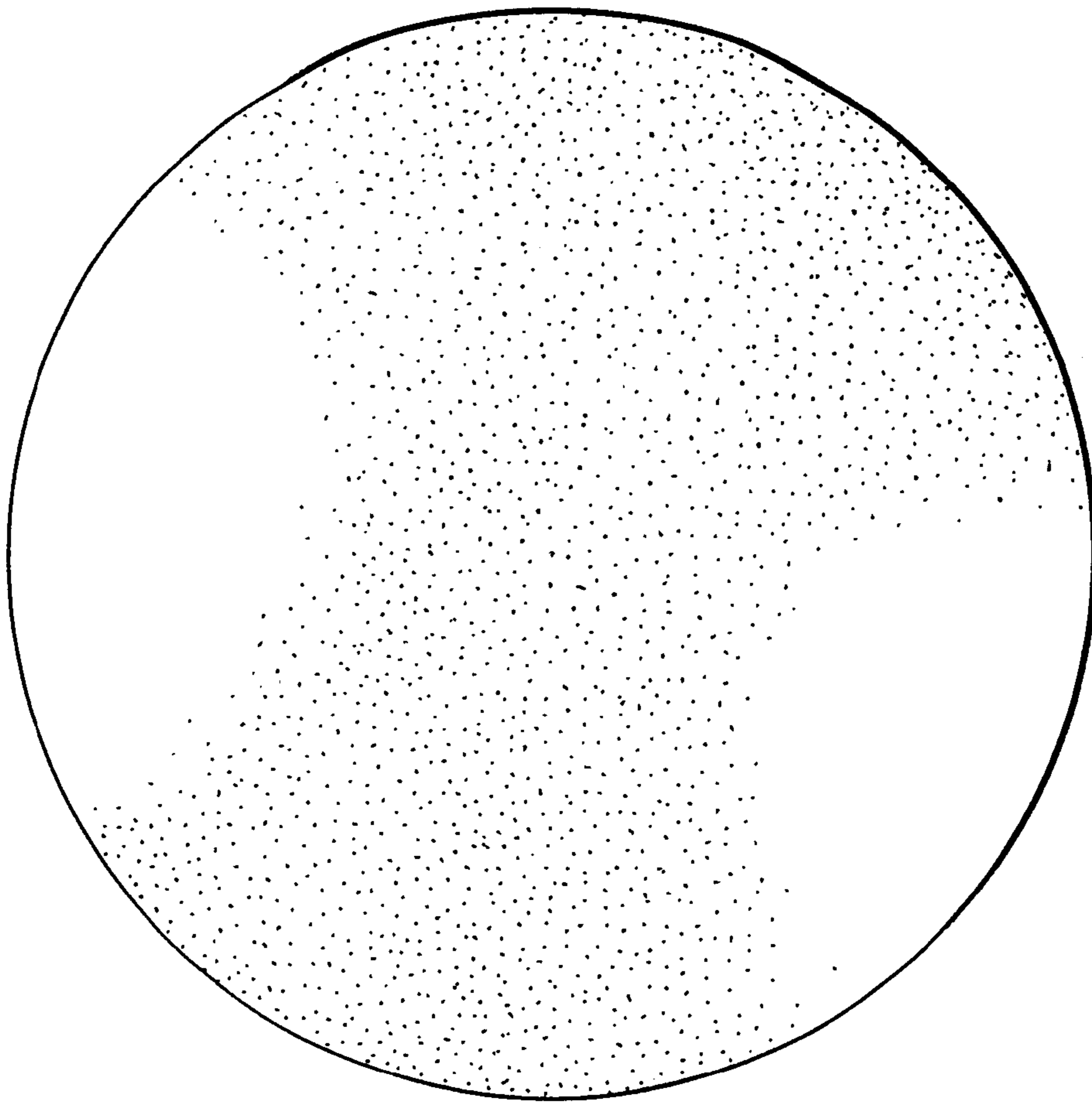


FIG. 5