



US00D469930S

(12) **United States Design Patent**  
**Bloedorn**

(10) **Patent No.:** **US D469,930 S**

(45) **Date of Patent:** **\*\* Feb. 4, 2003**

- (54) **HANGING TRAY BIRD FEEDER**
- (75) Inventor: **Dan A. Bloedorn**, Chilton, WI (US)
- (73) Assignee: **Backyard Nature Products, Inc.**,  
Chilton, WI (US)
- (\*\*) Term: **14 Years**

*Primary Examiner*—Pamela Burgess  
(74) *Attorney, Agent, or Firm*—Boyle Fredrickson  
Newholm Stein & Gratz S.C.

(57) **CLAIM**

The ornamental design of a hanging tray bird feeder, as shown and described.

**DESCRIPTION**

- (21) Appl. No.: **29/154,649**
- (22) Filed: **Oct. 25, 2001**
- (51) **LOC (7) Cl.** ..... **30-03**
- (52) **U.S. Cl.** ..... **D30/124**
- (58) **Field of Search** ..... D30/121, 123,  
D30/124, 122, 128–133; 119/57.9, 61, 57.8,  
51.5, 60; D6/403; 248/318, 323; 211/115

FIG. 1 is an isometric view of a hanging tray bird feeder showing my new design;  
FIG. 2 is a top plan view thereof;  
FIG. 3 is a front view thereof, the rear view being identical;  
FIG. 4 is a left side view thereof, the right side view being identical;  
FIG. 5 is a bottom plan view thereof;  
FIG. 6 is a cross-sectional view thereof, taken along line 6—6 of FIG. 2;  
FIG. 7 is an isometric view thereof in a shipping or storage position; and,  
FIG. 8 is an isometric view thereof in a use position.

(56) **References Cited**  
**U.S. PATENT DOCUMENTS**

|           |   |   |        |           |       |          |
|-----------|---|---|--------|-----------|-------|----------|
| 1,749,497 | A | * | 3/1930 | McGlashan | ..... | 119/61   |
| 2,801,611 | A | * | 8/1957 | Decker    | ..... | 119/57.8 |
| D249,285  | S | * | 9/1978 | Podjan    | ..... | D30/124  |
| 4,189,124 | A | * | 2/1980 | Faris     | ..... | 211/115  |
| 5,215,040 | A | * | 6/1993 | Lemley    | ..... | 119/52.3 |
| D448,125  | S | * | 9/2001 | Ranly     | ..... | D30/121  |

The broken lines shown in FIGS. 7 and 8 are for illustrative purposes only and form no part of the claimed design.  
It is understood that the crosshatch pattern depicting a screen in FIGS. 1, 2, 5, 7, and 8 extends continuously across the surface upon which it is shown.

\* cited by examiner

**1 Claim, 4 Drawing Sheets**

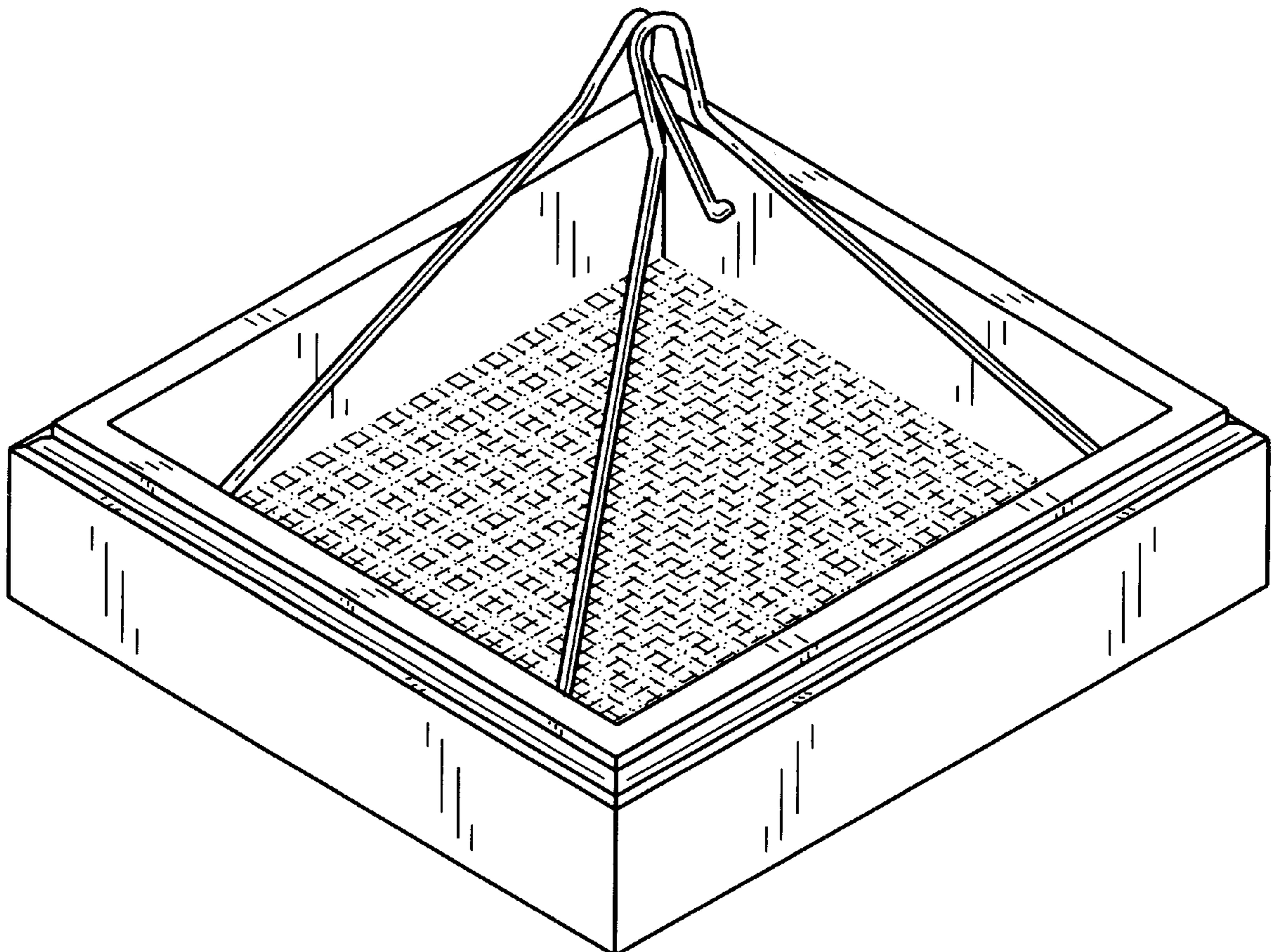
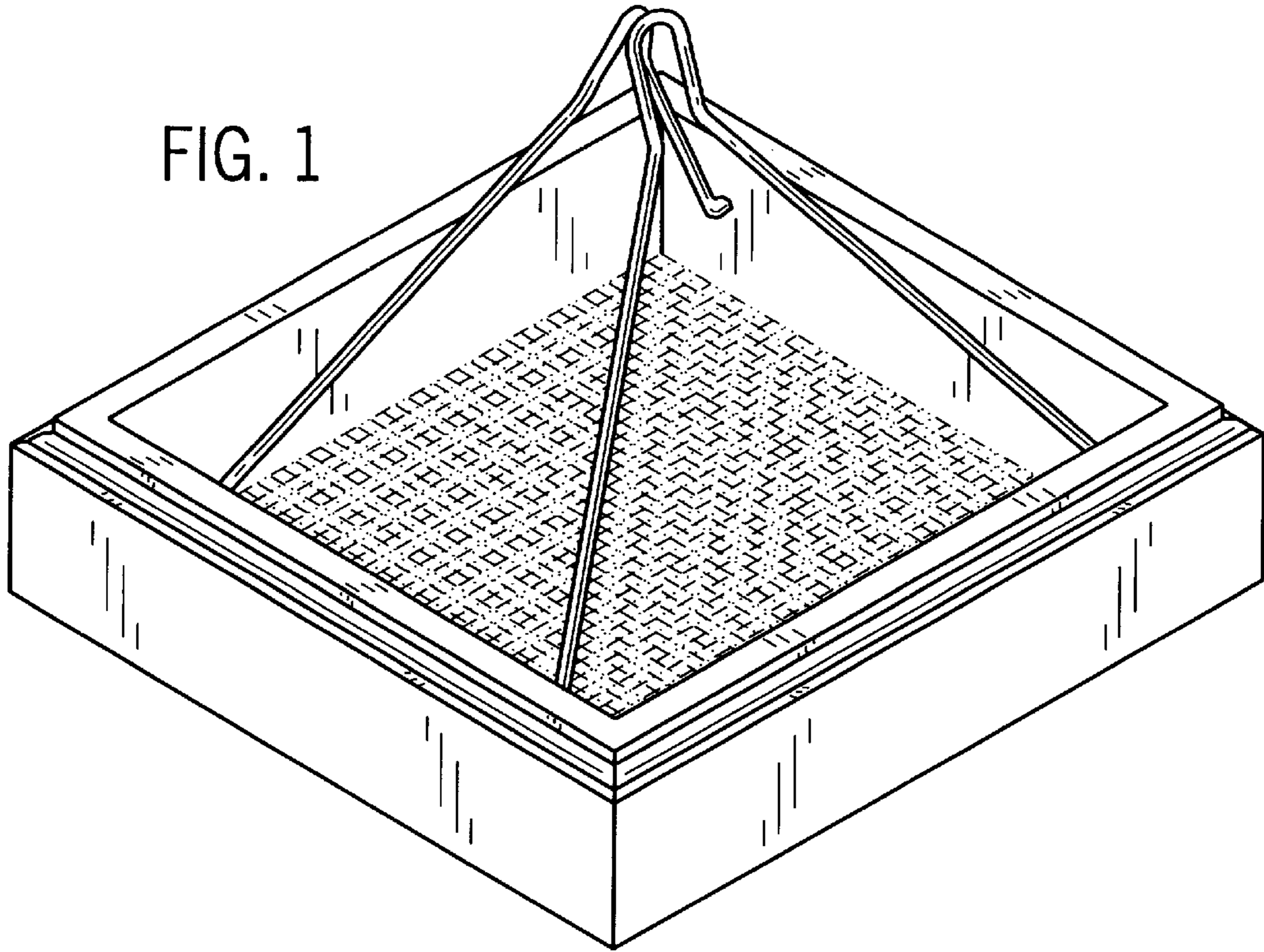
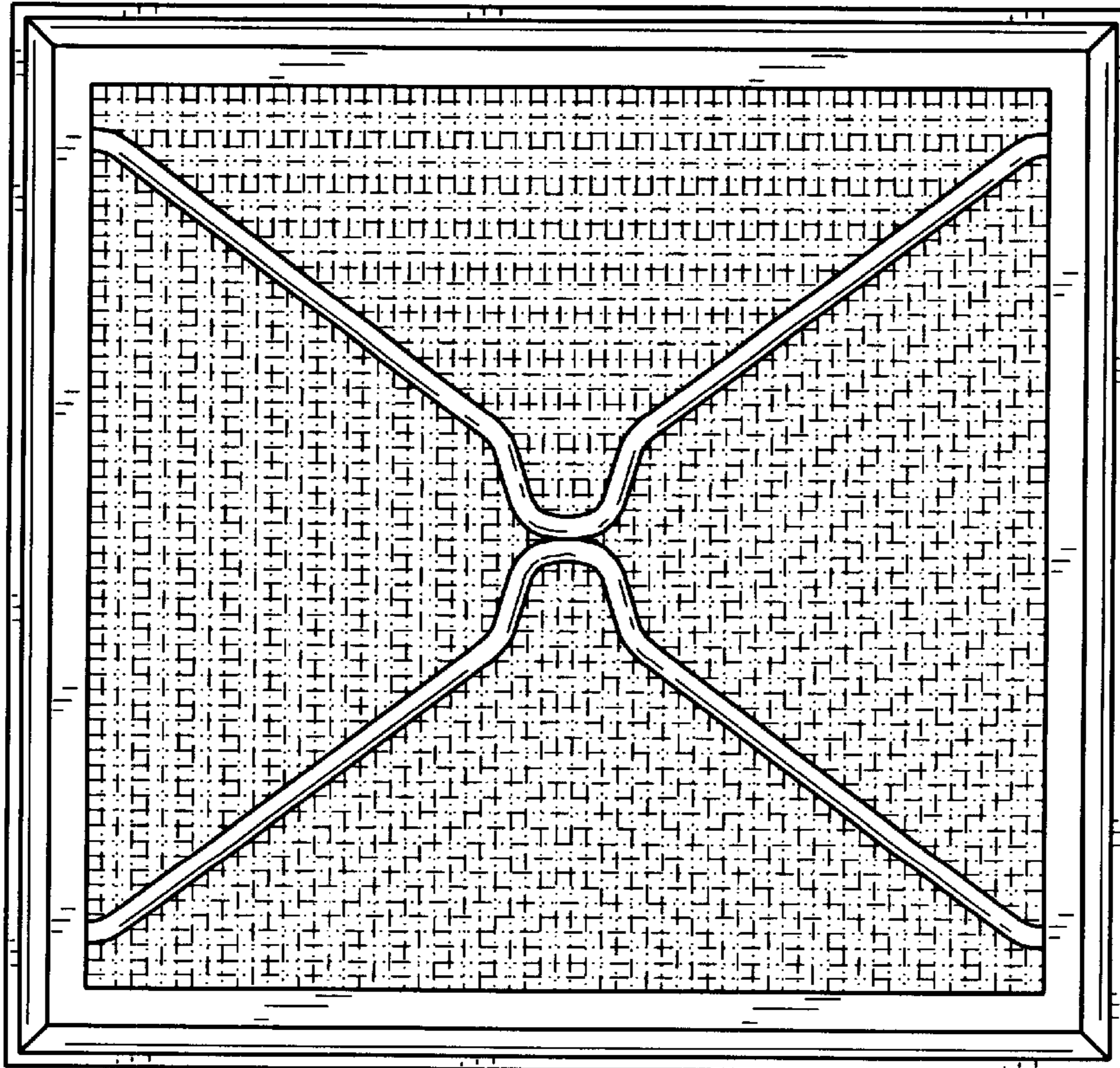


FIG. 1



6 ←



6 ←

FIG. 2

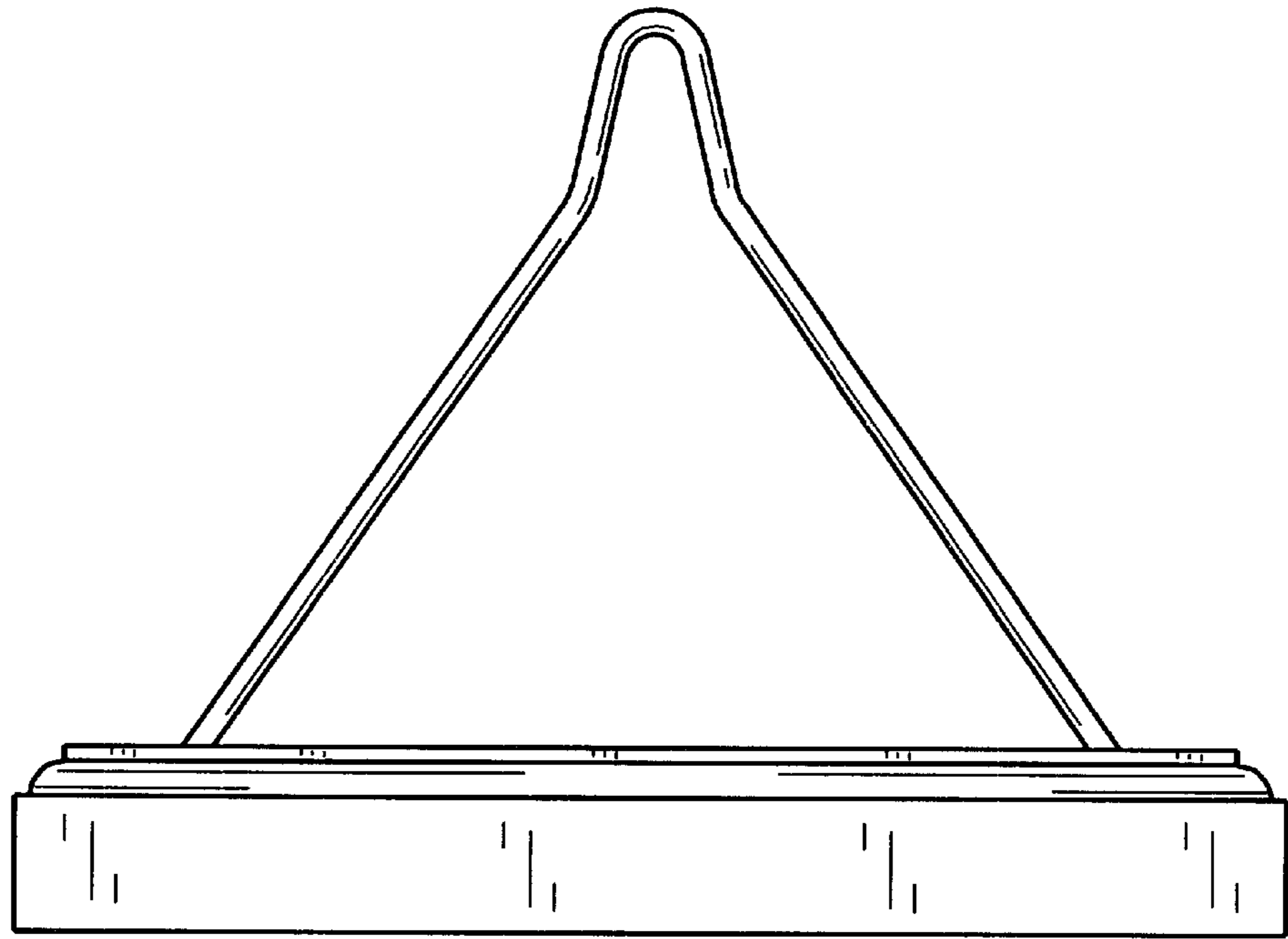


FIG. 3

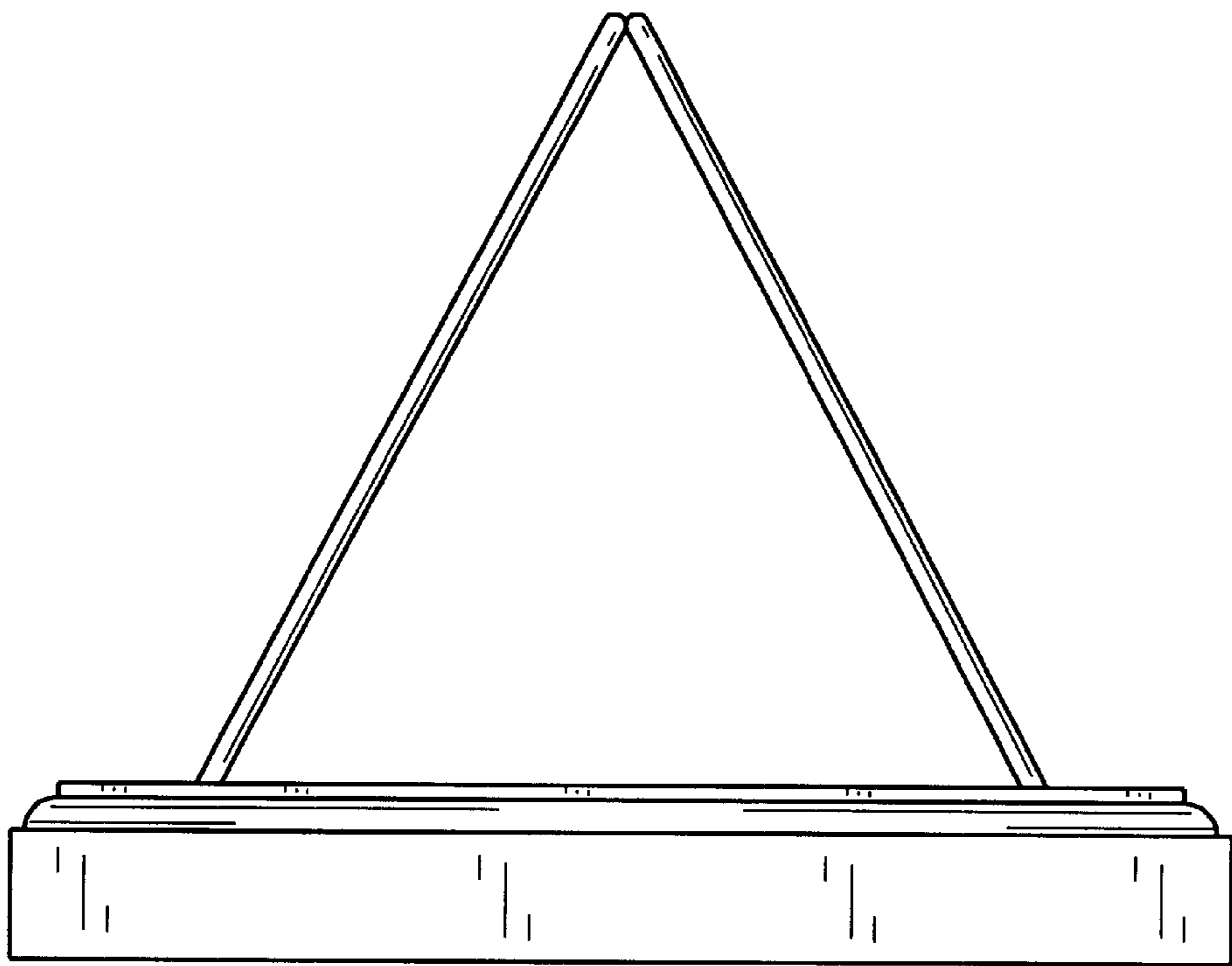


FIG. 4

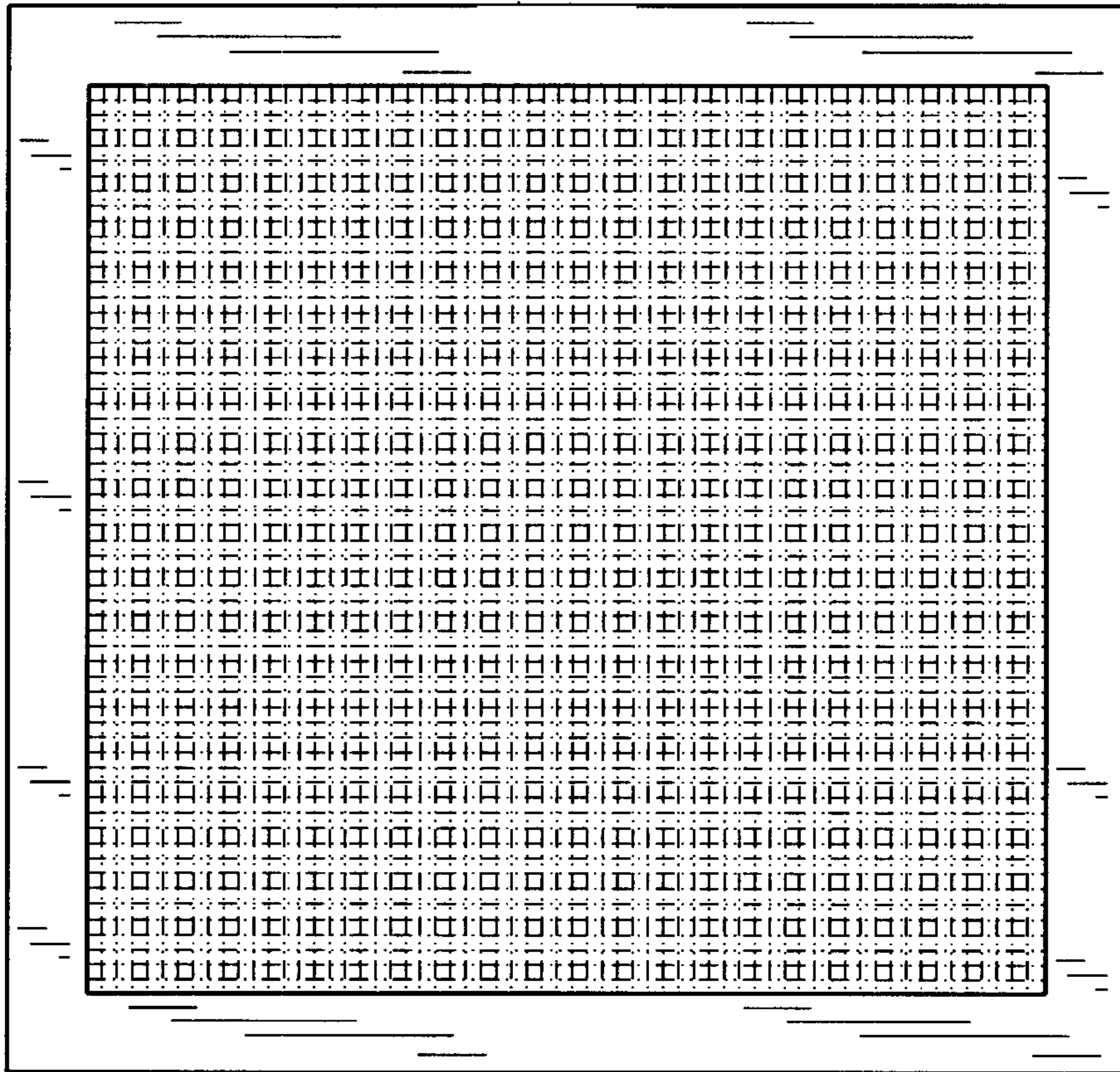


FIG. 5

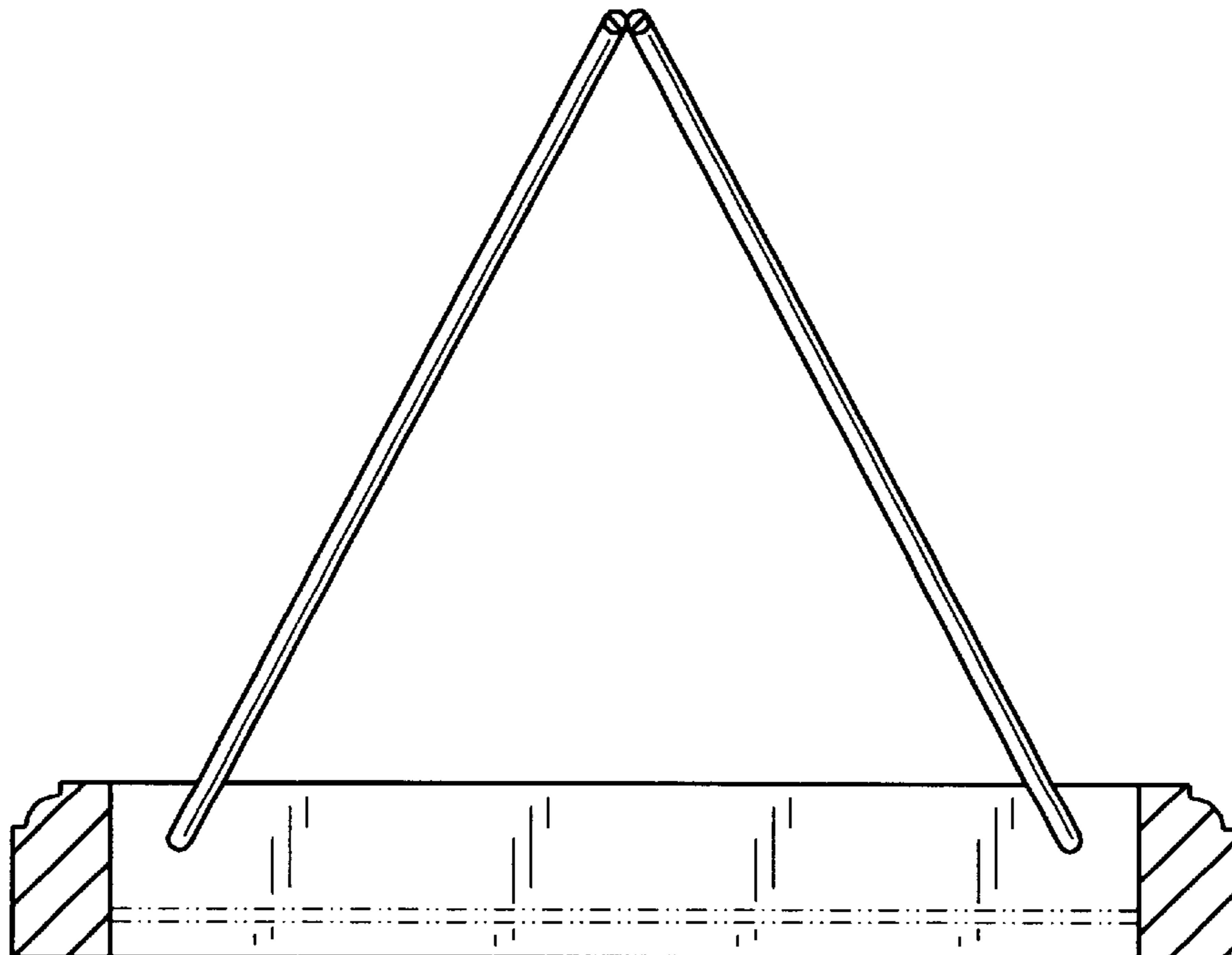


FIG. 6

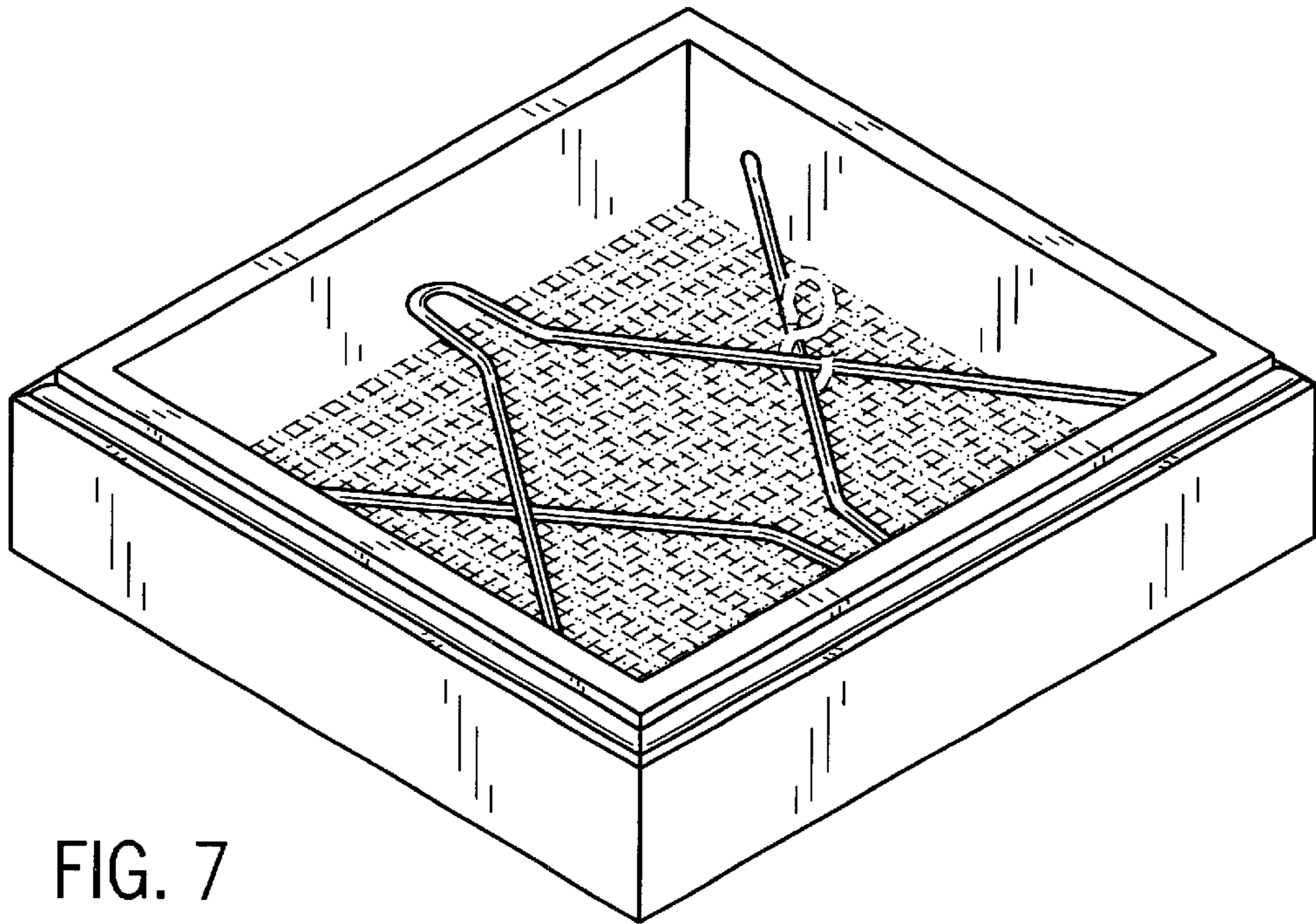


FIG. 7

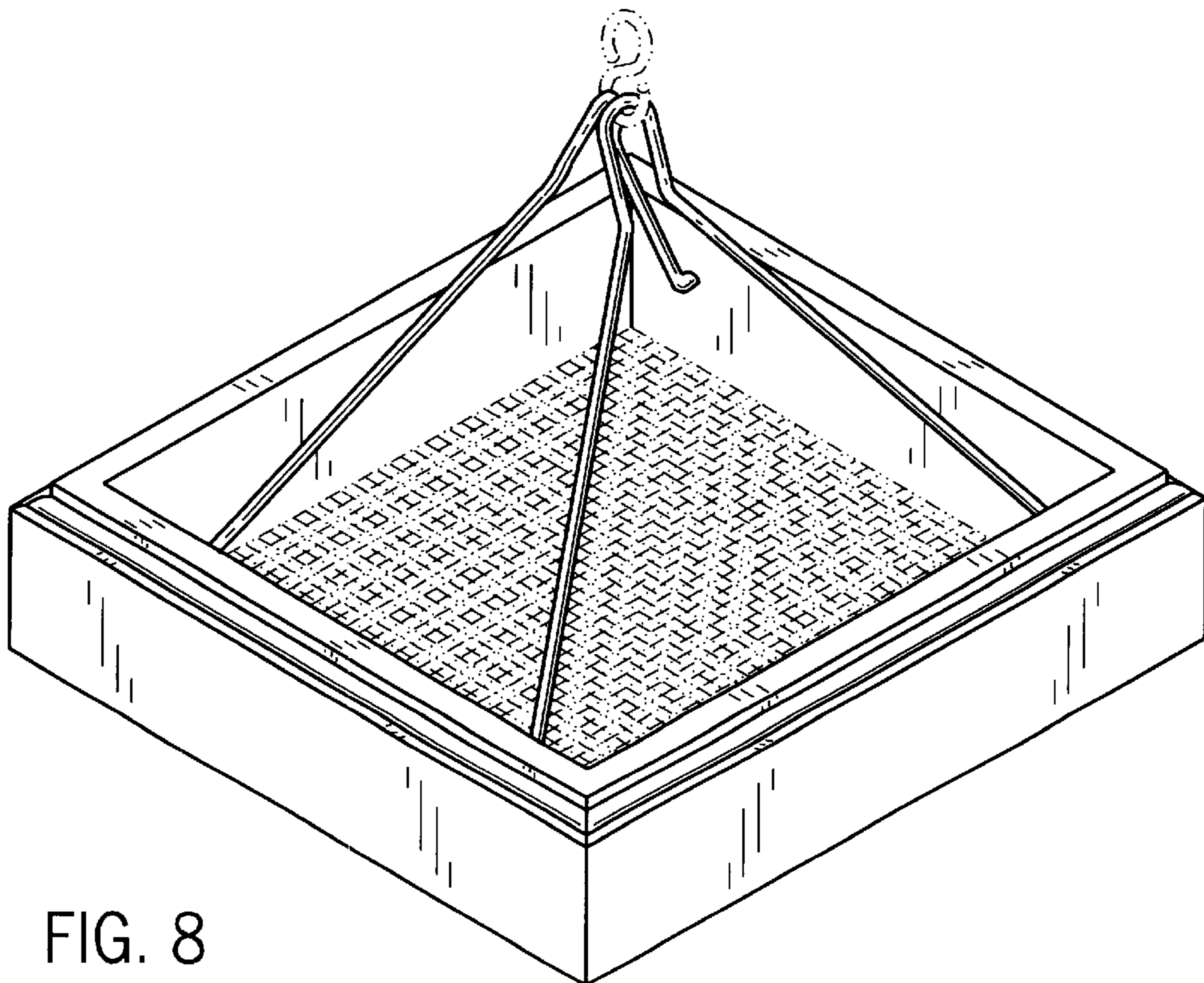


FIG. 8