



US00D469929S

(12) **United States Design Patent** (10) **Patent No.:** **US D469,929 S**
Licciardello (45) **Date of Patent:** **** *Feb. 4, 2003**

(54) **PET CARRIER**

(76) Inventor: **Mary A. Licciardello**, 8 Greenleaf St.,
Whiting, NJ (US) 08759

(*) Notice: This patent is subject to a terminal disclaimer.

(**) Term: **14 Years**

(21) Appl. No.: **29/144,864**

(22) Filed: **Jul. 12, 2001**

(51) **LOC (7) Cl.** **30-02**

(52) **U.S. Cl.** **D30/109**

(58) **Field of Search** D30/108-119,
D30/161; 119/28.5, 703, 706, 161-170,
416, 474, 452-456, 459, 467, 408, 410,
482, 436, 496-497, 500-502

(56) **References Cited**

U.S. PATENT DOCUMENTS

- 3,158,213 A * 11/1964 O'Neill et al. 119/497
- D209,838 S * 1/1968 Artig D30/108
- D295,276 S * 4/1988 Brown et al. D30/109

- D331,131 S * 11/1992 Quillen D30/109
- 5,524,573 A * 6/1996 Hart 119/489
- 5,901,664 A * 5/1999 McKernan 119/453
- D413,004 S * 8/1999 Decarlo-Williams D30/109

* cited by examiner

Primary Examiner—Cathy Anne MacCormac
(74) *Attorney, Agent, or Firm*—Mandel & Peslak, LLC;
Arthur M. Peslak

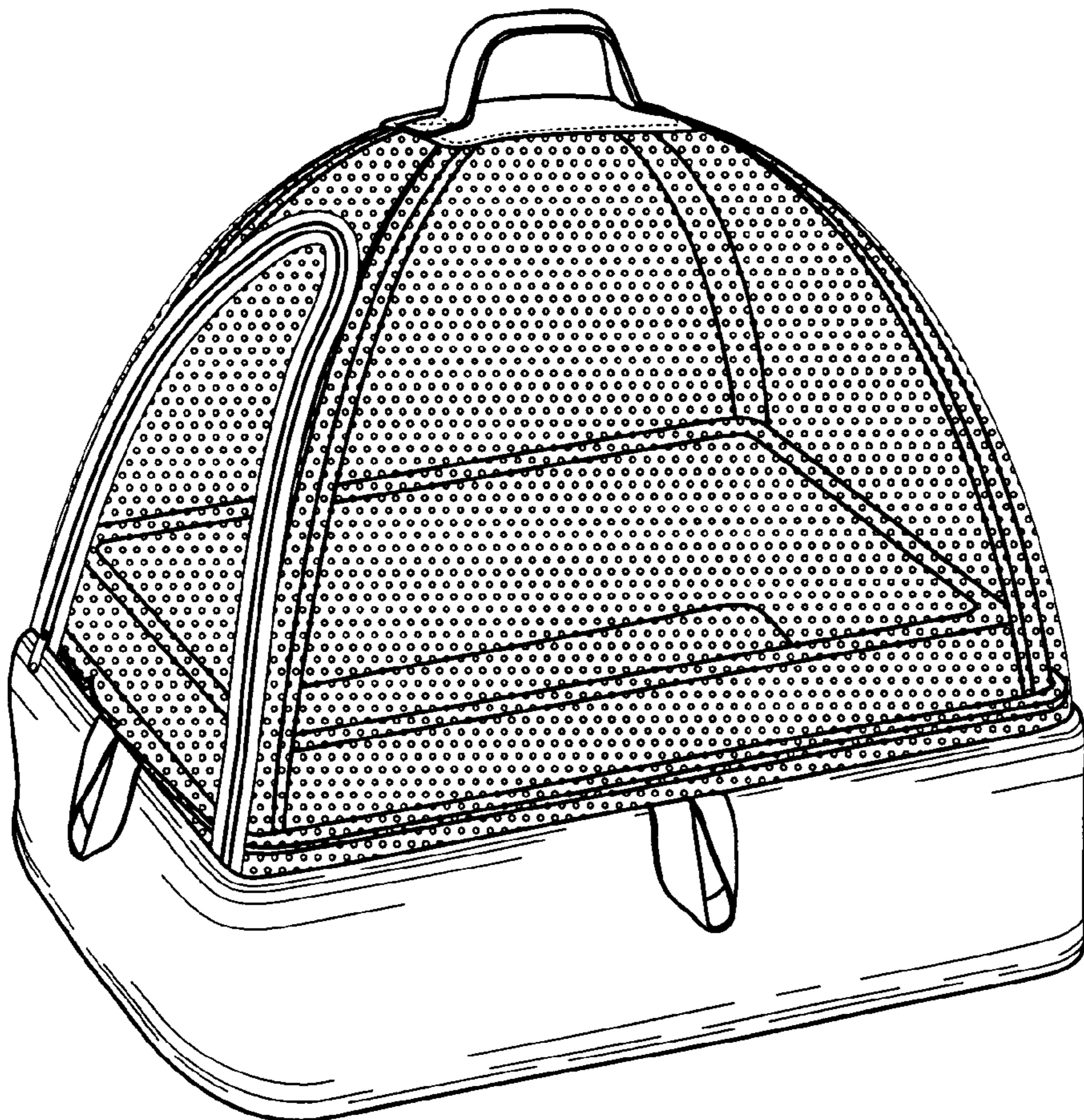
(57) **CLAIM**

What is claimed is the ornamental design for a pet carrier, as shown and described.

DESCRIPTION

FIG. 1 is a front perspective view of the present invention.
FIG. 2 is a side elevational view thereof;
FIG. 3 is an opposite side elevational view thereof;
FIG. 4 is an end elevational view thereof;
FIG. 5 an opposite elevational view thereof;
FIG. 6 is a top plan view thereof; and,
FIG. 7 is a bottom plan view thereof.

1 Claim, 4 Drawing Sheets



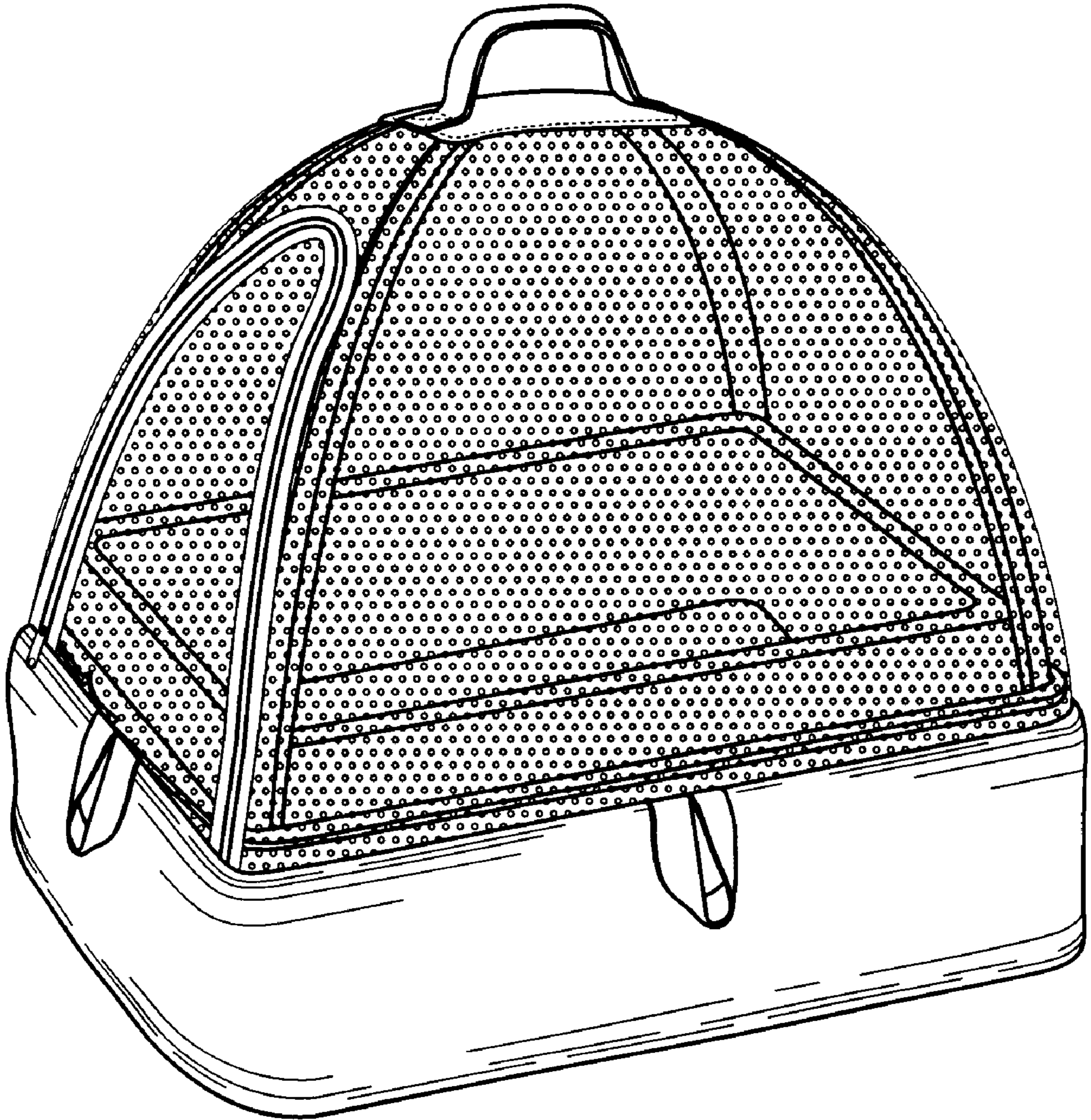


FIG. 1

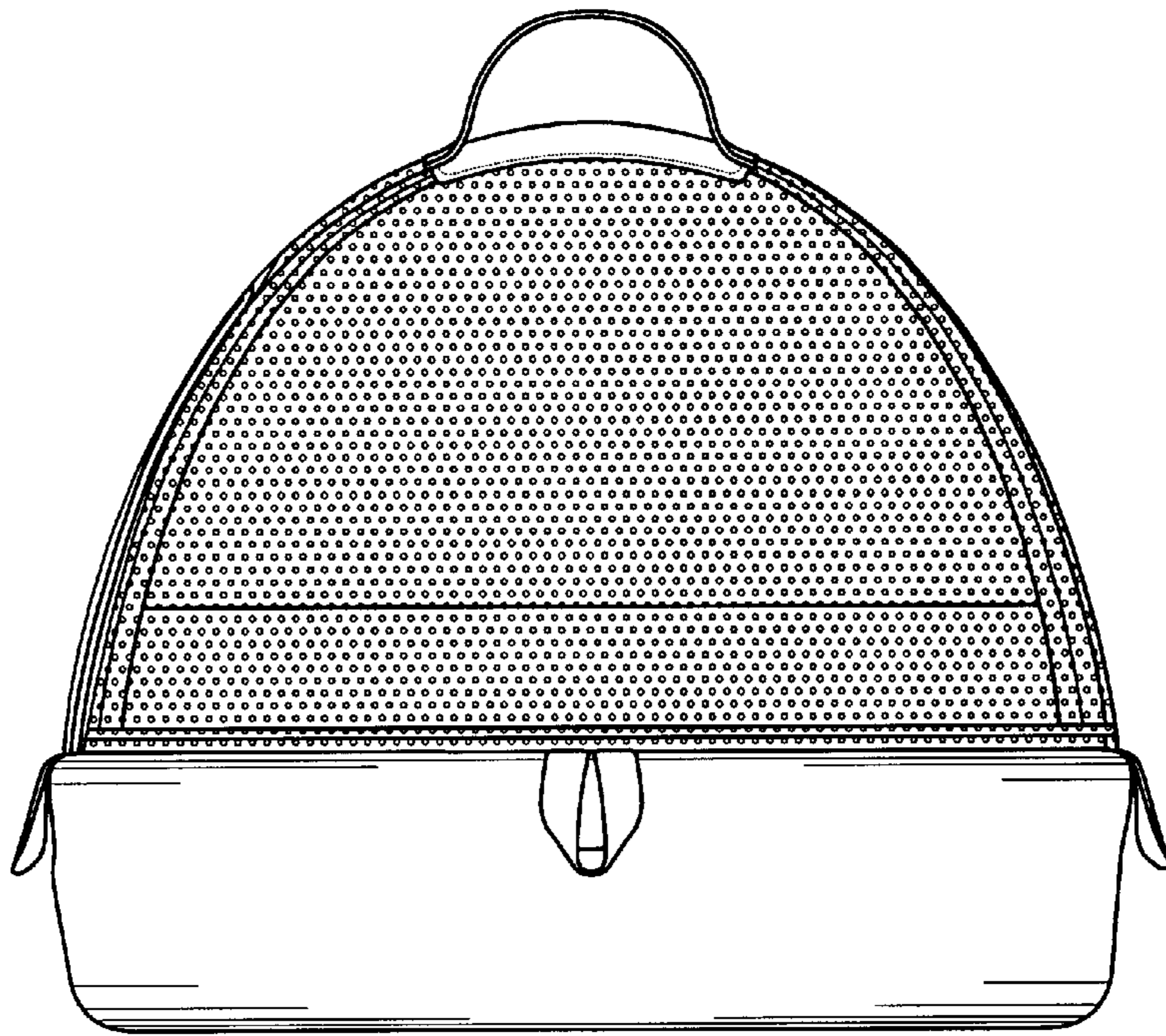


FIG. 2

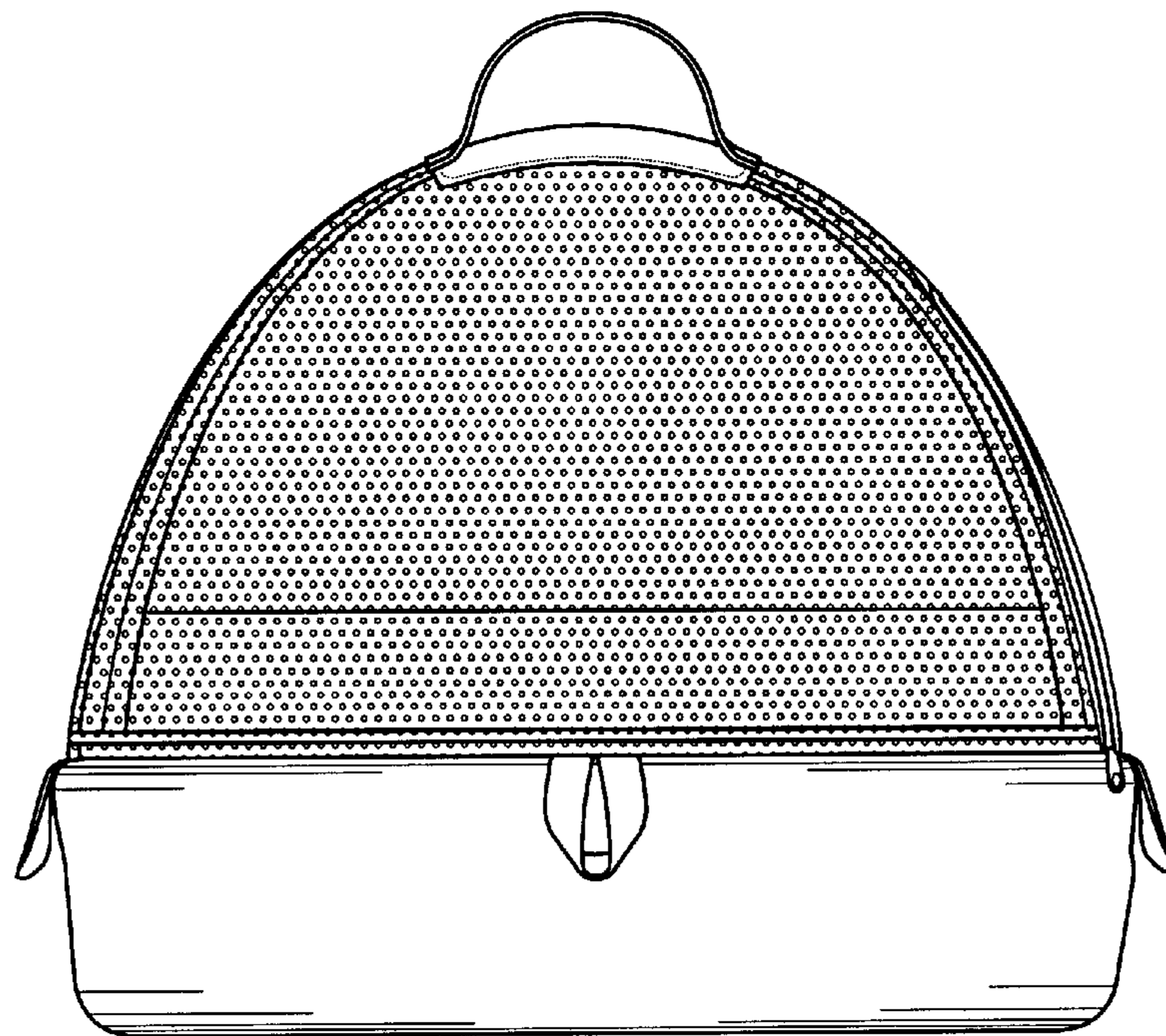


FIG. 3

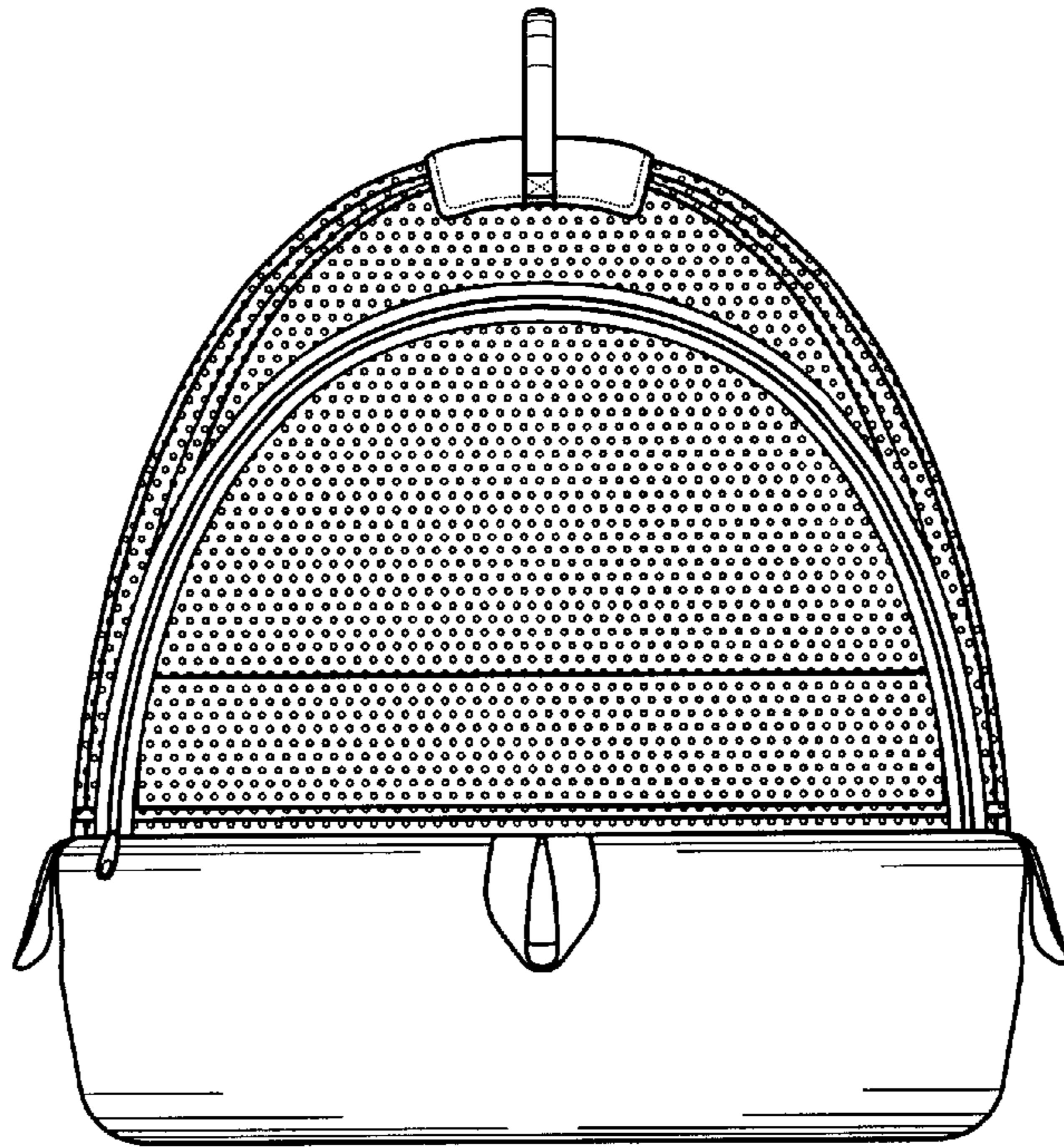


FIG. 4

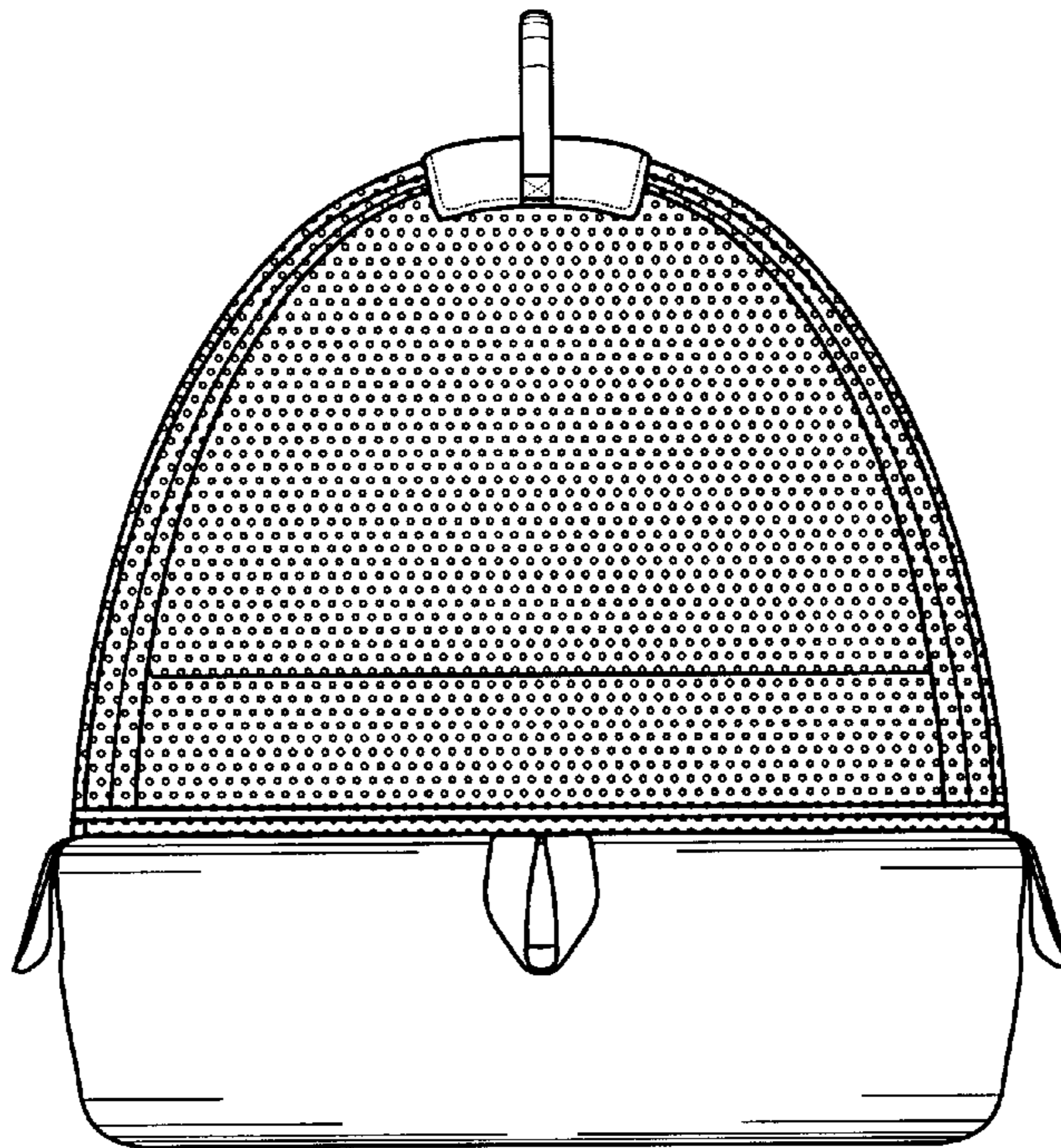


FIG. 5

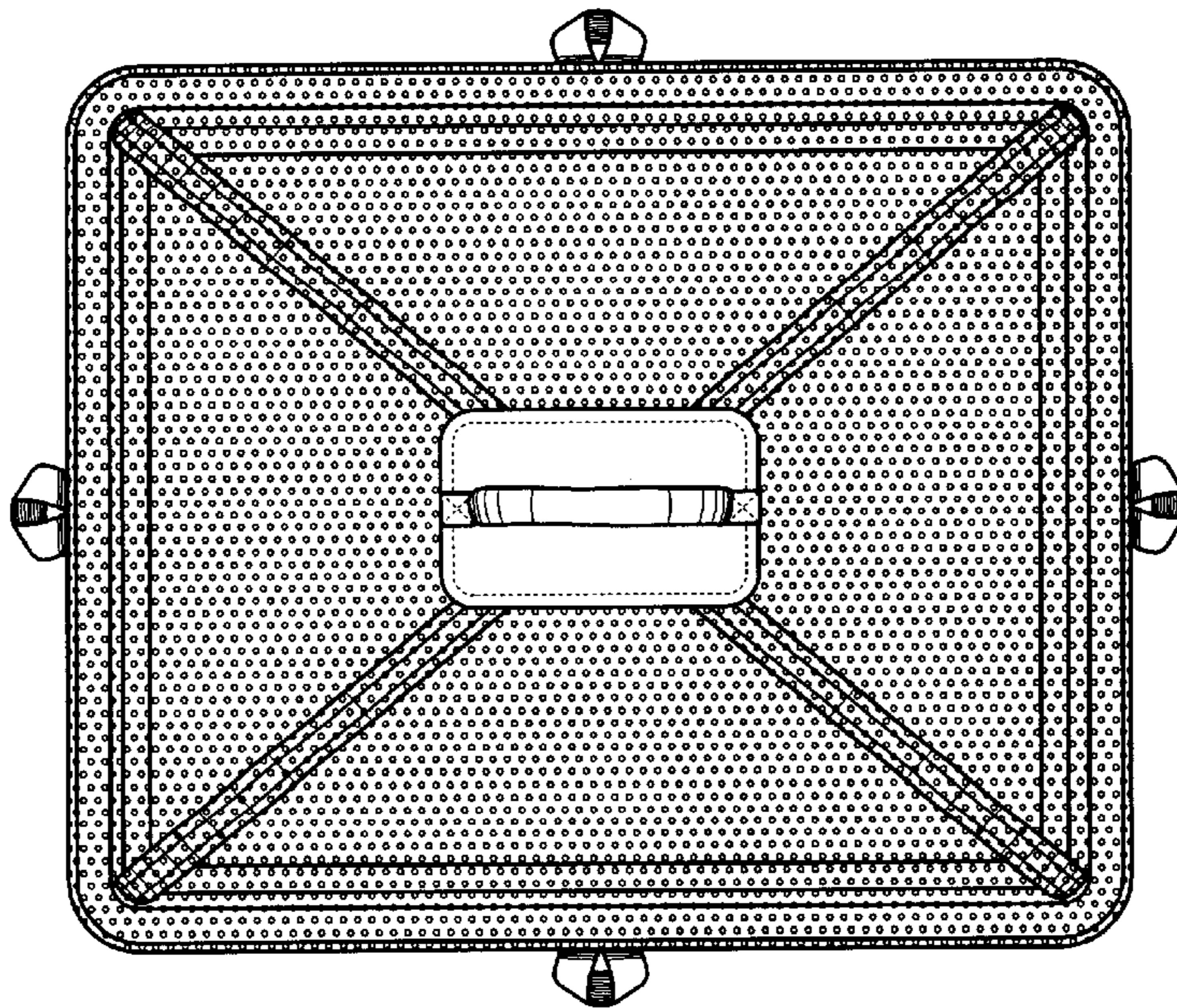


FIG. 6

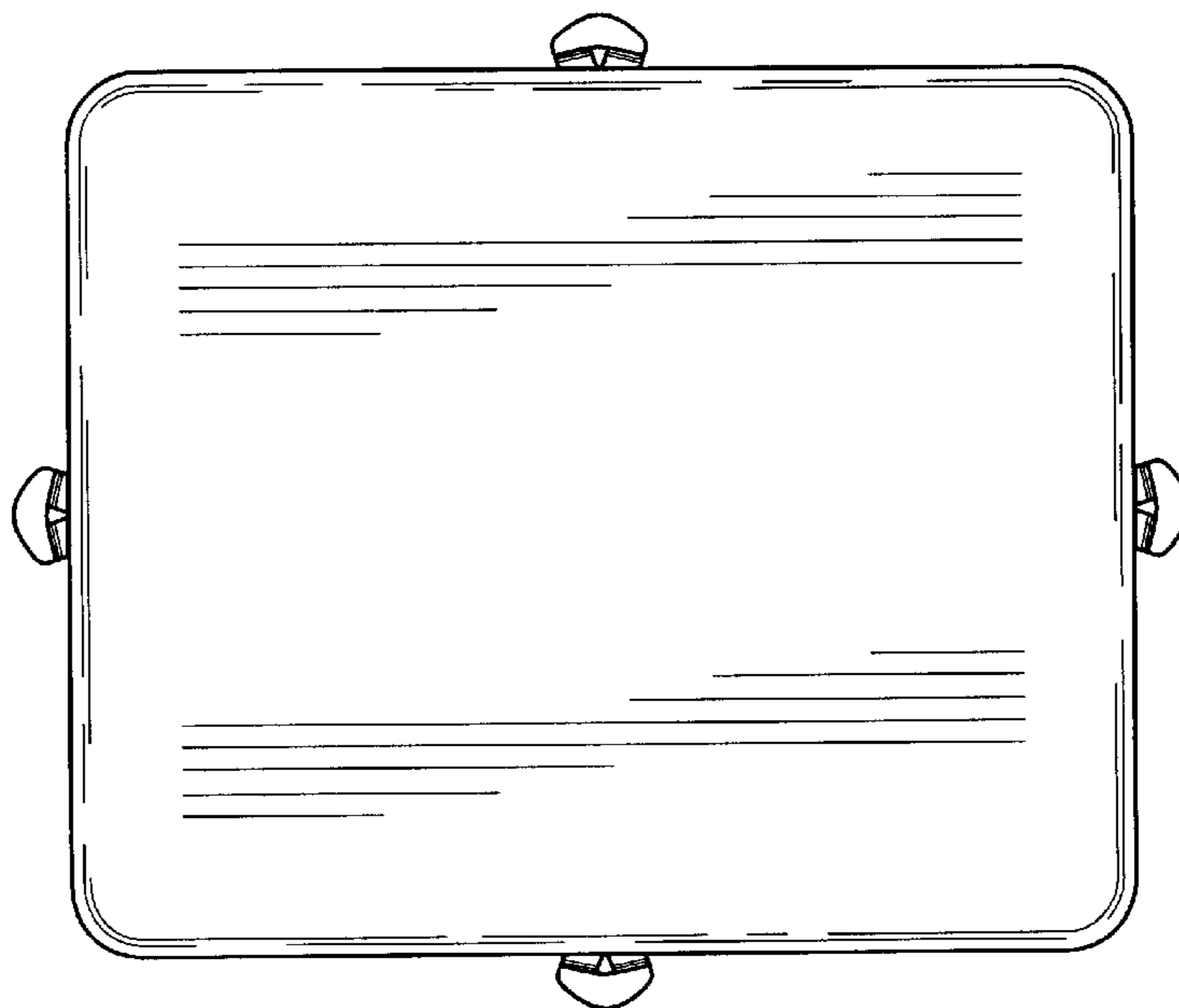


FIG. 7