



US00D46927S

(12) **United States Design Patent**  
**Petrucelli**

(10) **Patent No.:** **US D469,927 S**

(45) **Date of Patent:** **\*\* Feb. 4, 2003**

(54) **HOLDER FOR RECTANGULAR  
HAIRSTYLING ACCESSORIES**

(75) **Inventor:** **Giulio Petrucelli**, Flushing, NY (US)

(73) **Assignee:** **P.S. Pibbs, Inc.**, Flushing, NY (US)

(\*\*) **Term:** **14 Years**

(21) **Appl. No.:** **29/161,264**

(22) **Filed:** **May 24, 2002**

(51) **LOC (7) Cl.** ..... **28-03**

(52) **U.S. Cl.** ..... **D28/73**

(58) **Field of Search** ..... D28/18, 38, 73;  
D8/71, 354, 373; D6/396, 400, 403, 405,  
449, 459-469, 474-476, 512, 524, 527,  
528, 534, 551, 558; D19/75, 77, 84, 85,  
95; D11/143, 147; 211/13.1, 60.1, 69.5,  
70.1, 70.6; 248/117.1, 117.2, 174, 176.1,  
176.2, 309.1, 314; 219/242; D24/227-230

(56) **References Cited**

**U.S. PATENT DOCUMENTS**

|             |   |         |              |       |        |
|-------------|---|---------|--------------|-------|--------|
| D71,237 S   | * | 10/1926 | Carman       | ..... | D19/83 |
| D144,997 S  | * | 6/1946  | Sulak        | ..... | D6/534 |
| 2,956,686 A | * | 10/1960 | Garey        | ..... | 211/74 |
| D243,559 S  | * | 3/1977  | Hoyle et al. | ..... | D28/38 |
| D266,195 S  | * | 9/1982  | Bennett      | ..... | D28/73 |
| D297,439 S  | * | 8/1988  | Rabig        | ..... | D19/85 |

|             |   |        |               |       |           |
|-------------|---|--------|---------------|-------|-----------|
| D305,944 S  | * | 2/1990 | Mellott       | ..... | D28/38    |
| 4,910,385 A | * | 3/1990 | Shye-Long     | ..... | 219/242 X |
| D316,834 S  | * | 5/1991 | Mendenhall    | ..... | D11/143   |
| 5,232,103 A | * | 8/1993 | Koenig et al. | ..... | 211/69.5  |
| D413,502 S  | * | 9/1999 | Chang         | ..... | D8/71     |

\* cited by examiner

*Primary Examiner*—Ted Shooman

*Assistant Examiner*—C. Tuttle

(74) *Attorney, Agent, or Firm*—Anthony J. Casella; Gerald E. Hespos

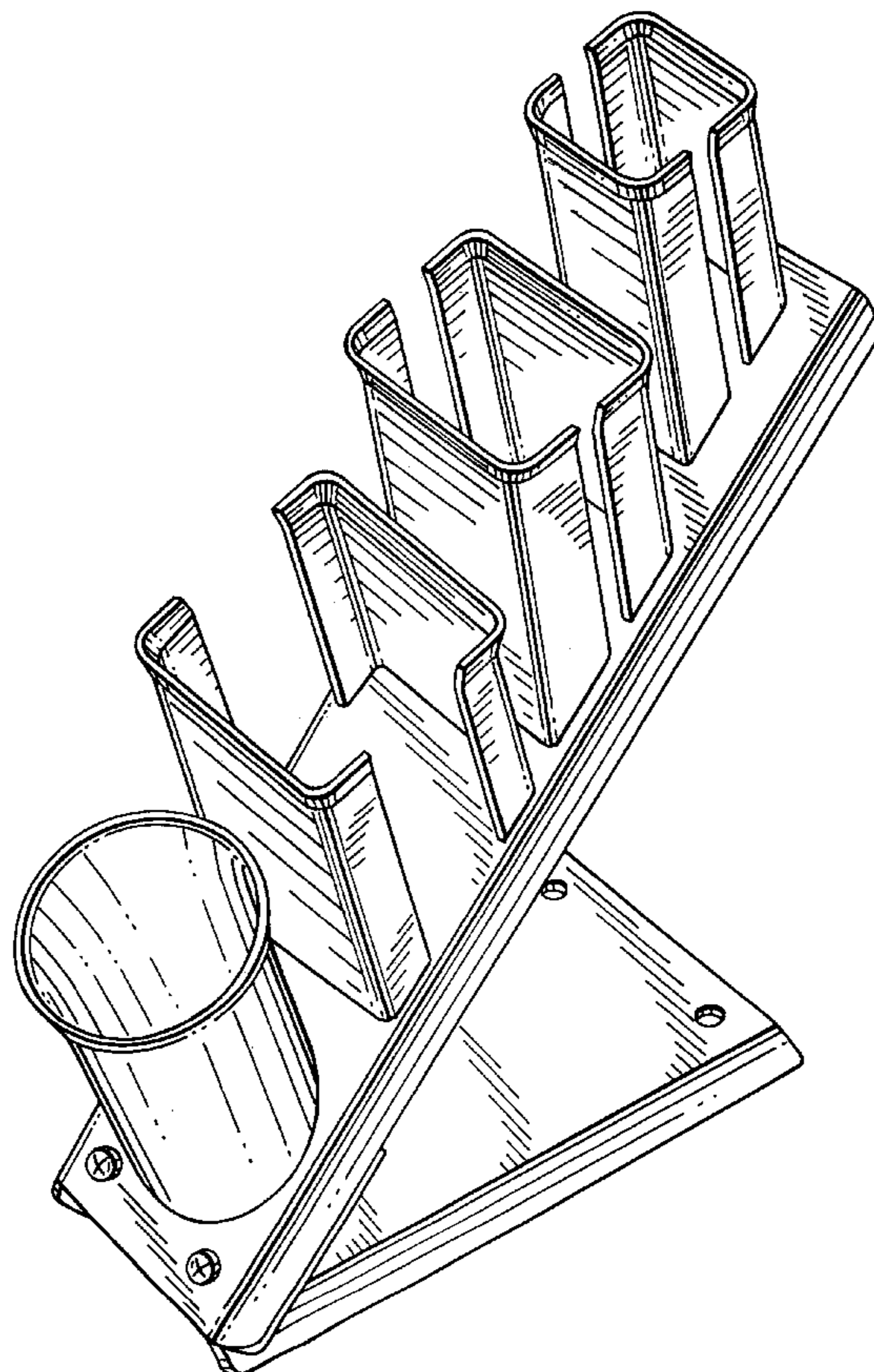
(57) **CLAIM**

The ornamental design for a holder for rectangular hairstyling accessories, as shown and described.

**DESCRIPTION**

FIG. 1 is a perspective view of a holder for rectangular hairstyling accessories showing my new design;  
 FIG. 2 is a top plan view of the holder for rectangular hairstyling accessories of FIG. 1;  
 FIG. 3 is a front elevational view of the holder for rectangular hairstyling accessories of FIG. 1;  
 FIG. 4 is a side elevational view of the holder for rectangular hairstyling accessories of FIG. 1, the opposite side being substantially a mirror image of the side shown;  
 FIG. 5 is a rear elevational view of the holder for rectangular hairstyling accessories of FIG. 1; and,  
 FIG. 6 is a bottom plan view thereof.

**1 Claim, 6 Drawing Sheets**



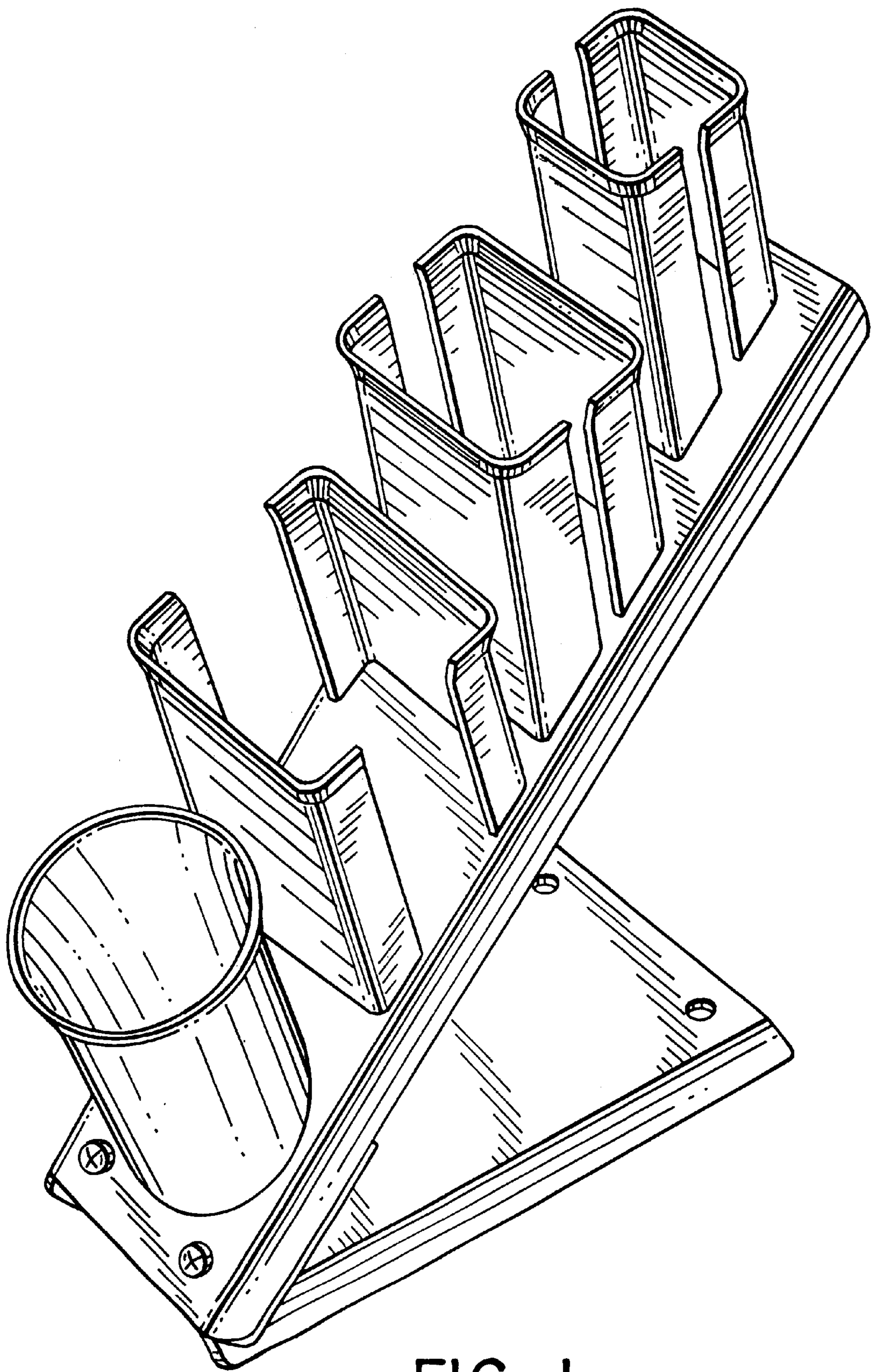


FIG. 1

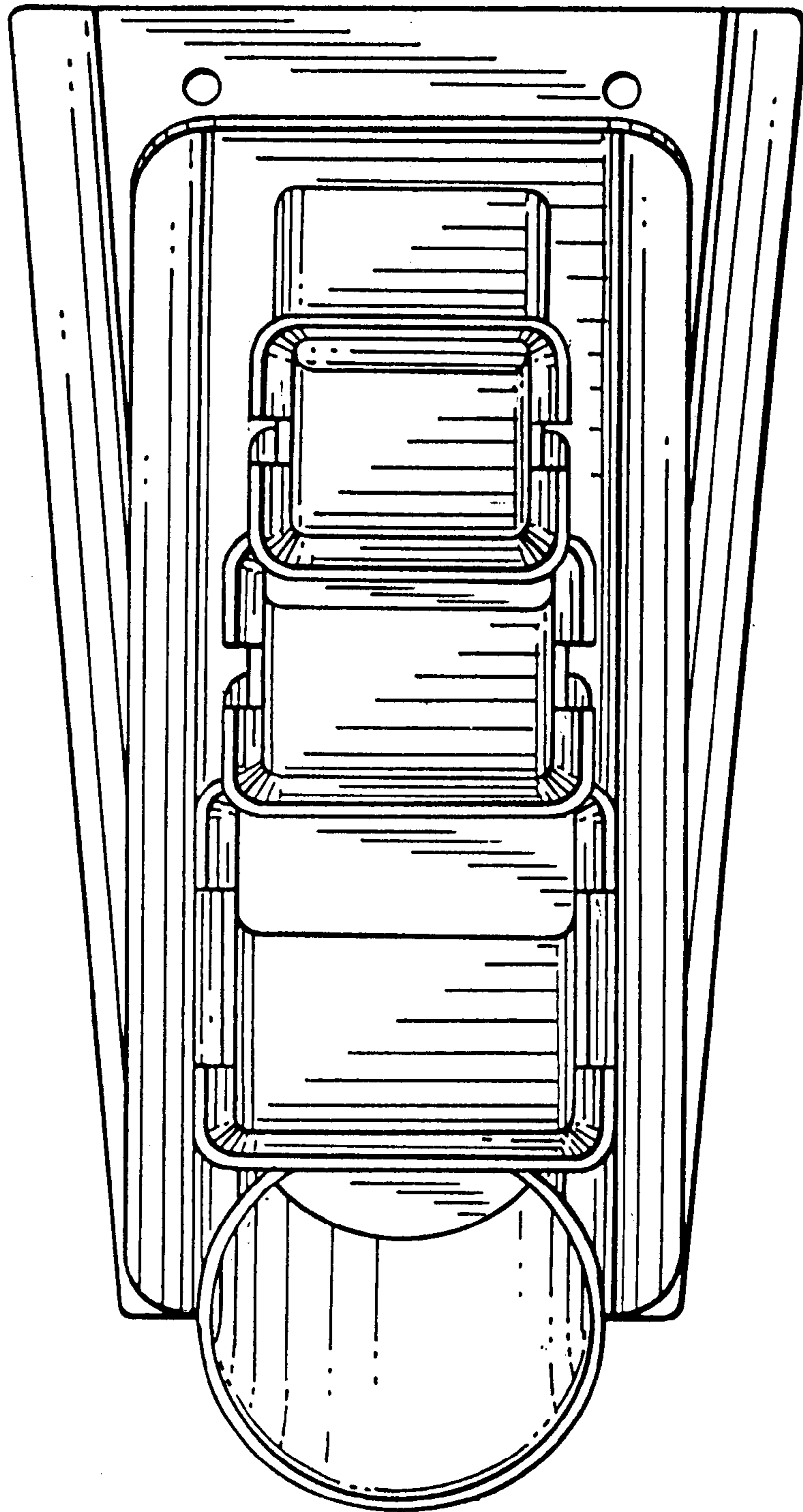


FIG. 2

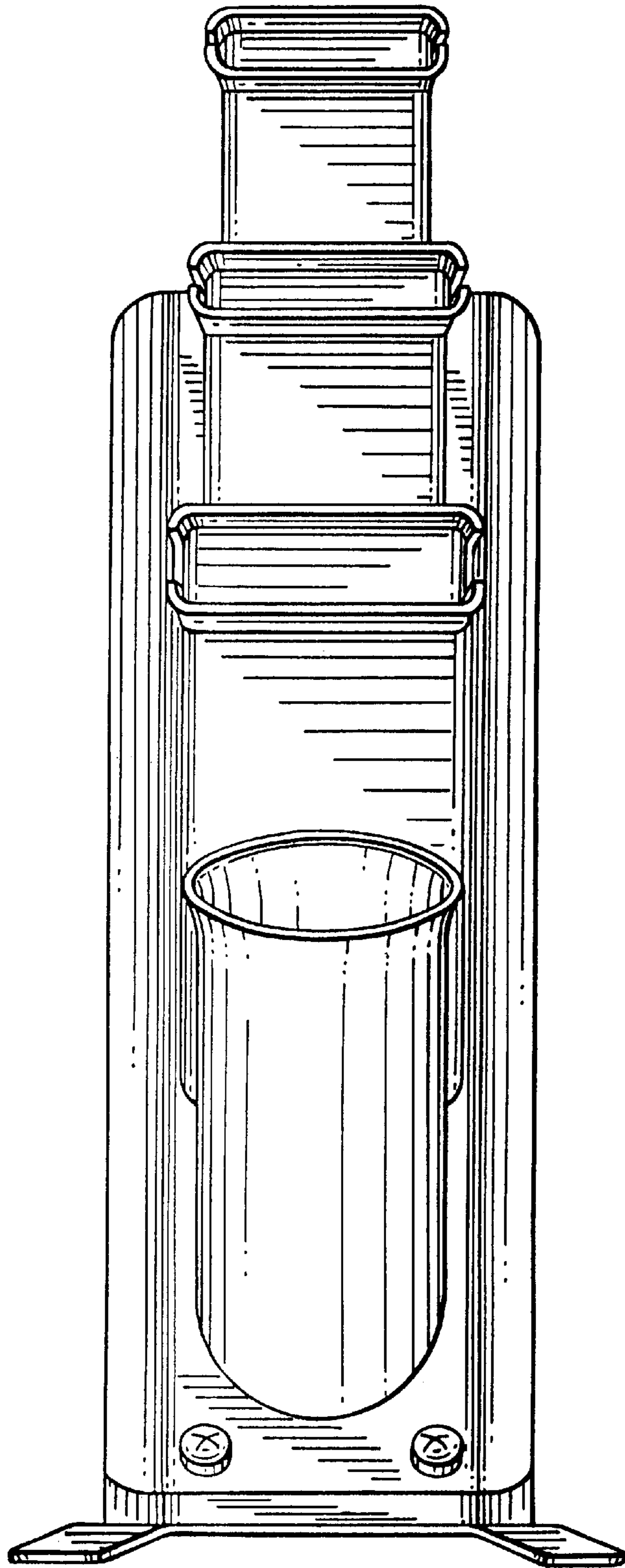


FIG. 3

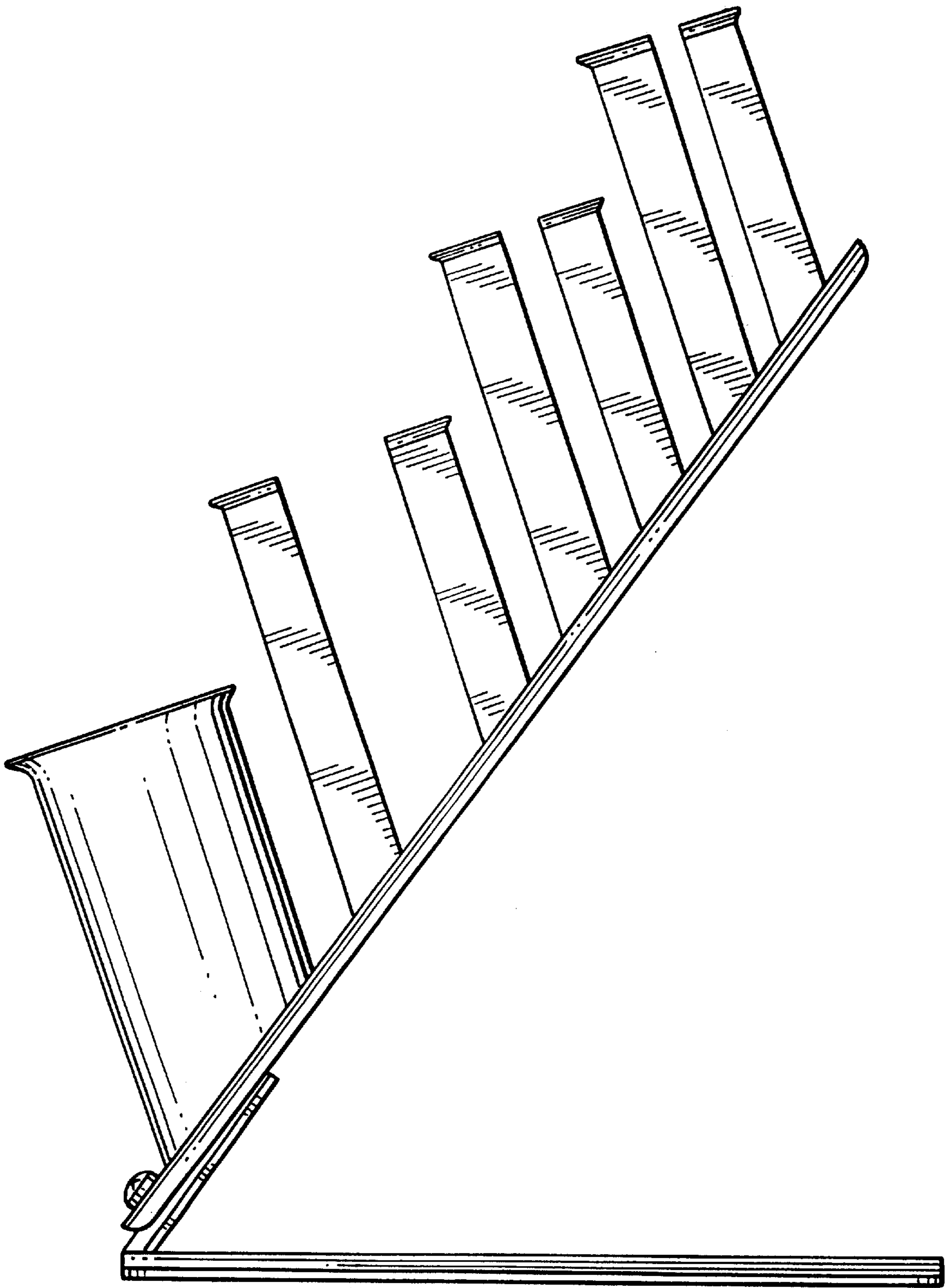


FIG. 4

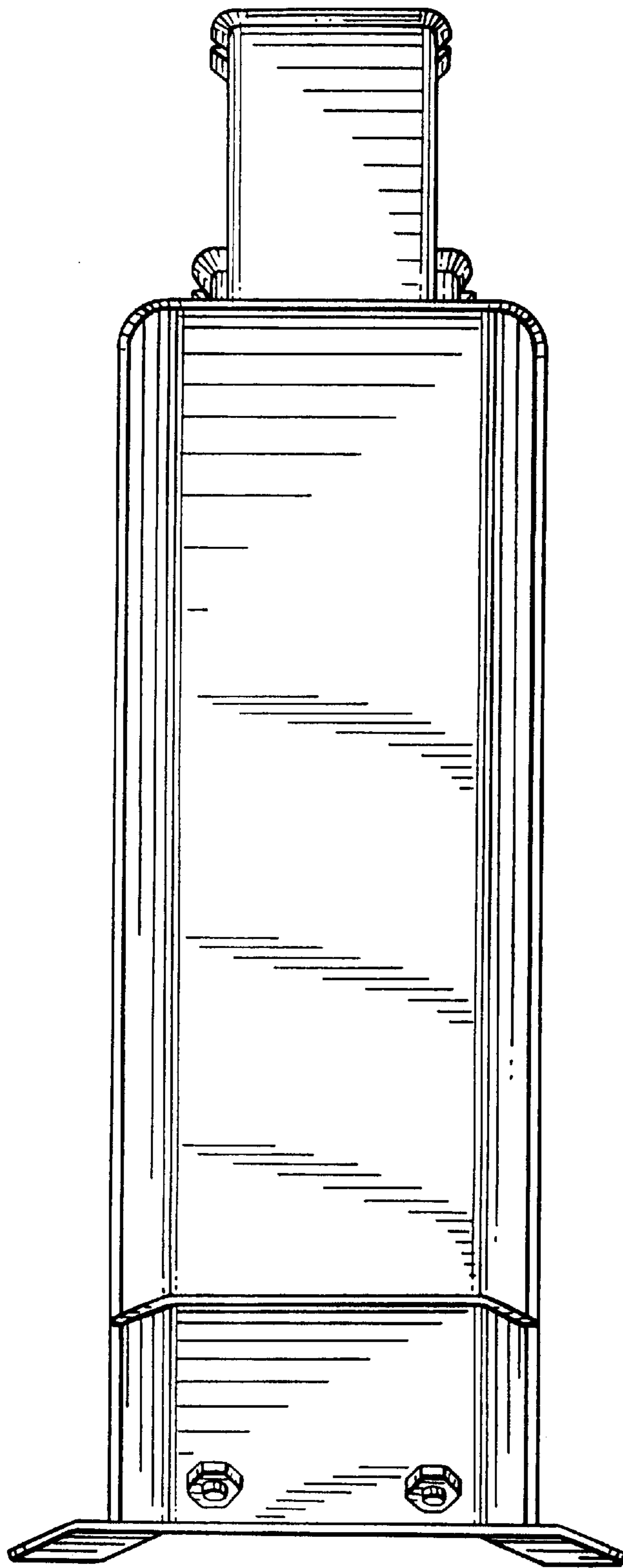


FIG. 5

FIG. 6

