



US00D469926S

(12) **United States Design Patent**
Petrucelli

(10) **Patent No.:** **US D469,926 S**

(45) **Date of Patent:** **** Feb. 4, 2003**

(54) **HOLDER FOR TUBULAR HAIRSTYLING ACCESSORIES**

(75) Inventor: **Giulio Petrucelli**, Flushing, NY (US)

(73) Assignee: **P. S. Pibbs, Inc.**, Flushing, NY (US)

(**) Term: **14 Years**

(21) Appl. No.: **29/159,892**

(22) Filed: **Apr. 29, 2002**

(51) **LOC (7) Cl.** **28-03**

(52) **U.S. Cl.** **D28/73**

(58) **Field of Search** D28/18, 38, 73;
D8/71, 354, 373; D6/396, 400, 403, 405,
449, 459-469, 474-476, 512, 524, 527,
528, 534, 551, 558; D19/75, 77, 84, 85,
95; D24/227-230; 211/13.1, 60.1, 69.5,
70.1, 70.6; 248/117.1, 117.2, 174, 176.1,
176.2, 309.1, 314; 219/242

(56) **References Cited**

U.S. PATENT DOCUMENTS

D161,749 S	*	1/1951	Griner	D11/147
D243,559 S	*	3/1977	Hoyle et al.	D28/38
D305,944 S	*	2/1990	Mellott	D28/38
5,031,778 A	*	7/1991	Edgecombe	211/26
5,232,103 A	*	8/1993	Koenig et al.	211/69.5
5,615,782 A	*	4/1997	Choe	211/70.6

D379,554 S	*	5/1997	Landers	D28/35
5,727,701 A	*	3/1998	Rhoades	211/70.6
D401,016 S	*	11/1998	Holliday	D28/73
D413,502 S	*	9/1999	Chang	D8/71

* cited by examiner

Primary Examiner—Ted Shooman

Assistant Examiner—C. Tuttle

(74) *Attorney, Agent, or Firm*—Anthony J. Casella; Gerald E. Hespos

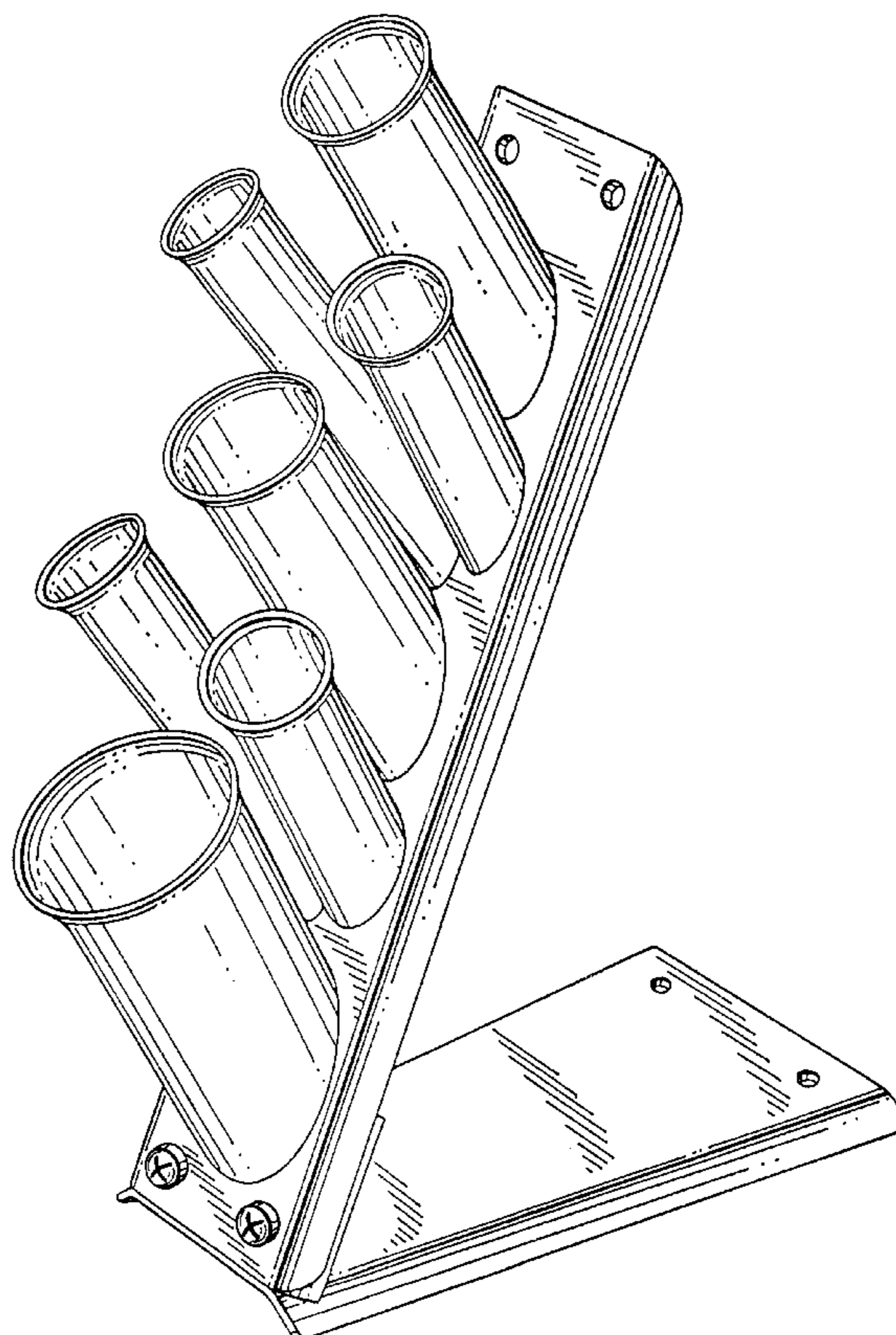
(57) **CLAIM**

The ornamental design for a holder for tubular hairstyling accessories, as shown and described.

DESCRIPTION

FIG. 1 is a perspective view of a holder for tubular hairstyling accessories showing my new design;
FIG. 2 is a top plan view of the holder for tubular hairstyling accessories of FIG. 1;
FIG. 3 is a front elevational view of the holder for tubular hairstyling accessories of FIG. 1;
FIG. 4 is a side elevational view of the holder for tubular hairstyling accessories of FIG. 1, the opposite side being substantially a mirror image of the sides shown;
FIG. 5 is a rear elevational view of the holder for tubular hairstyling accessories of FIG. 1; and,
FIG. 6 is a bottom plan view thereof.

1 Claim, 6 Drawing Sheets



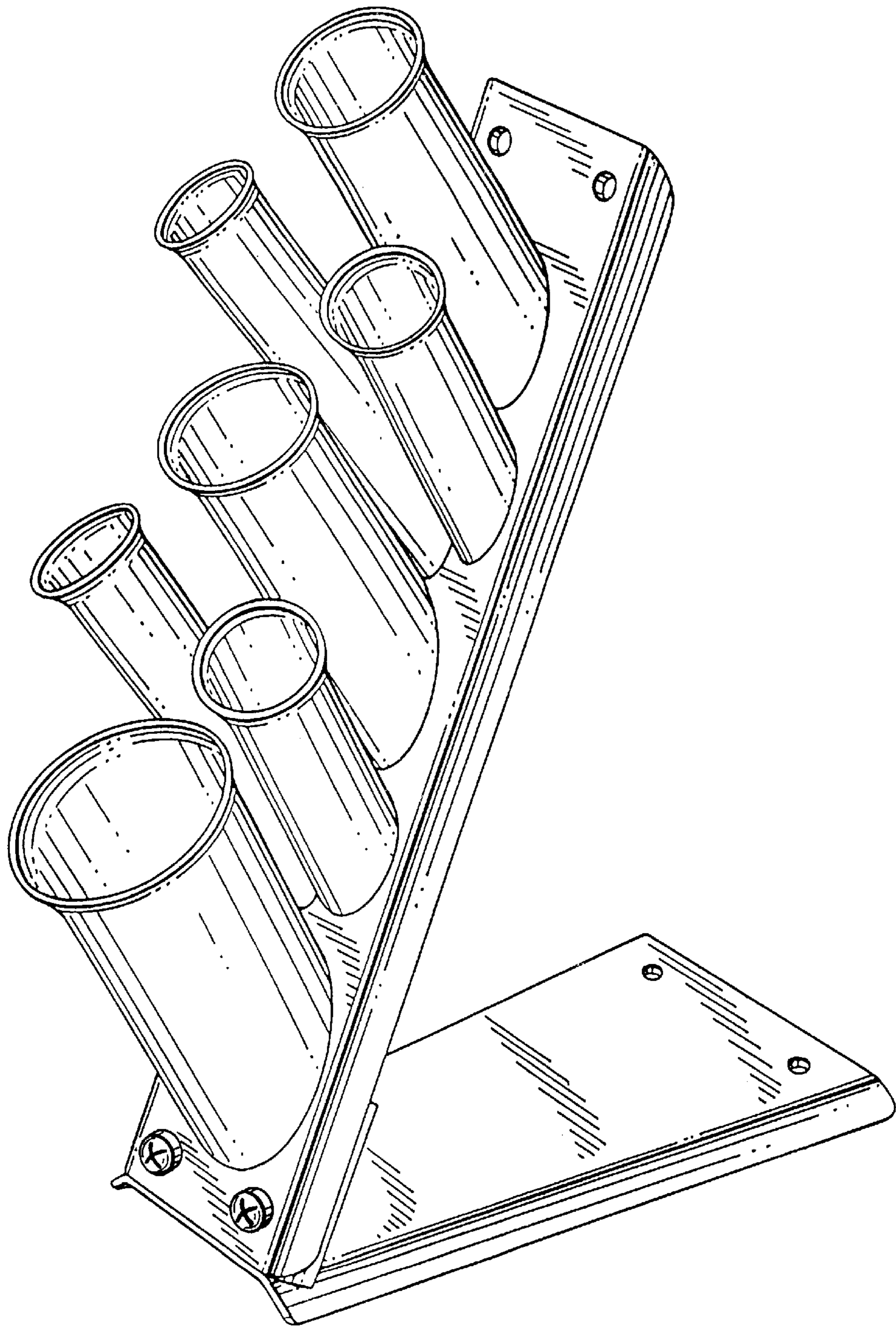


FIG. 1

FIG. 2

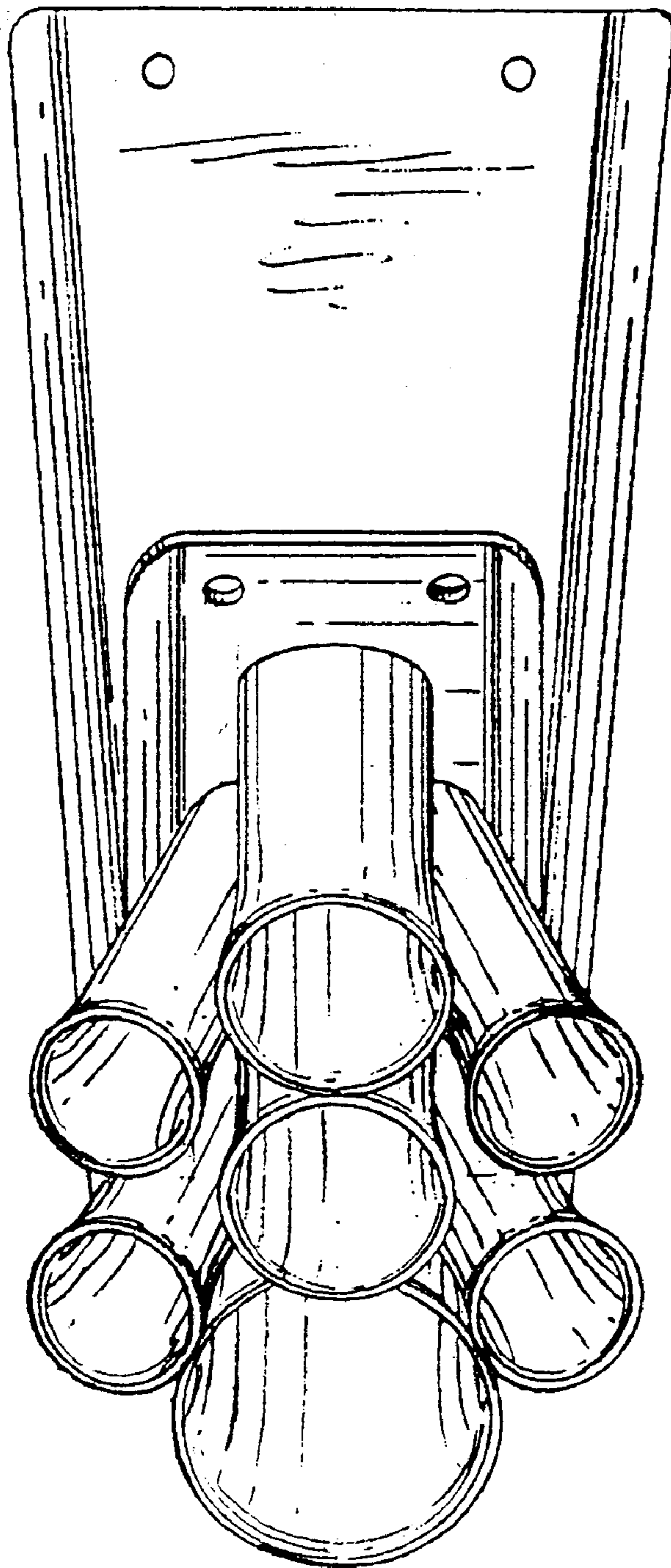
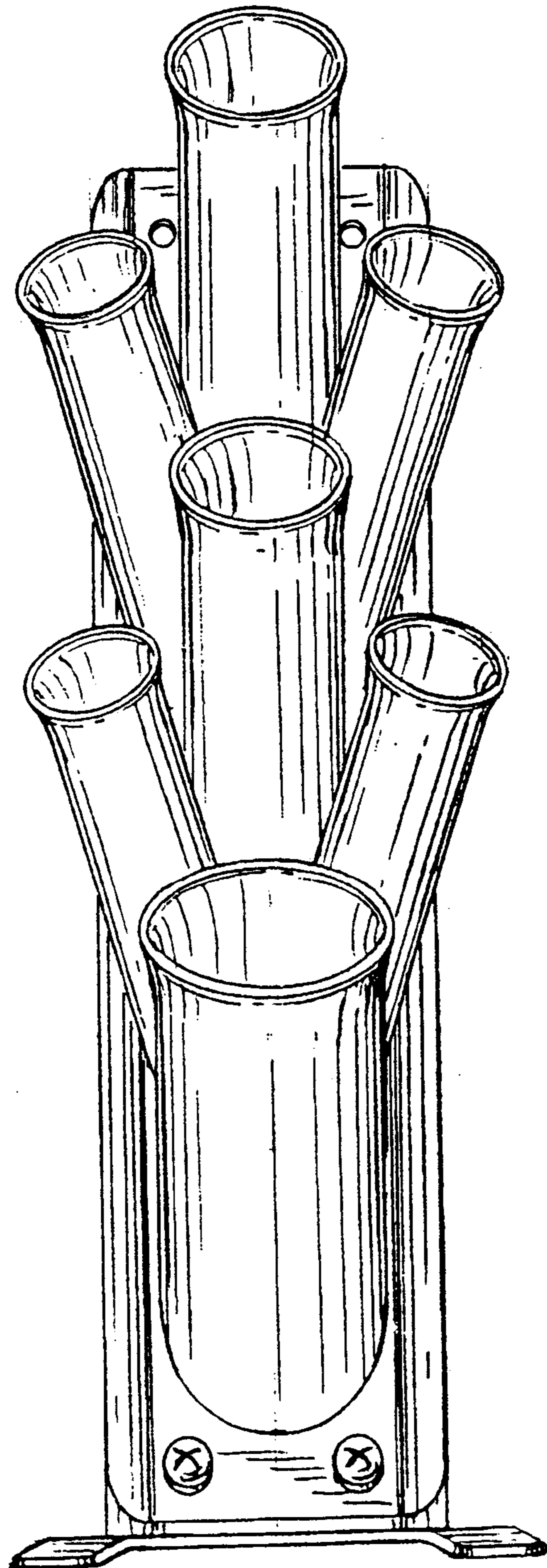


FIG. 3



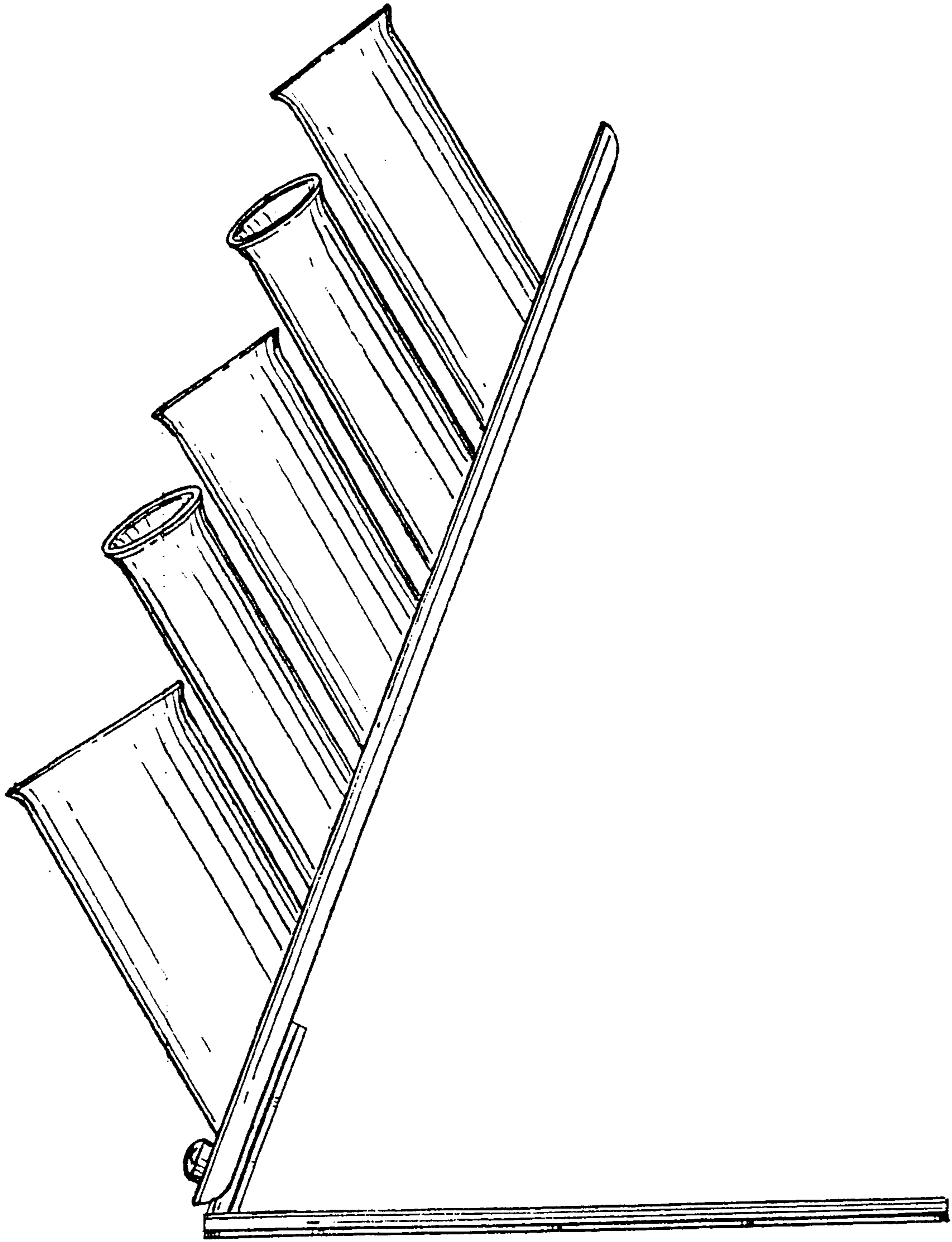


FIG. 4

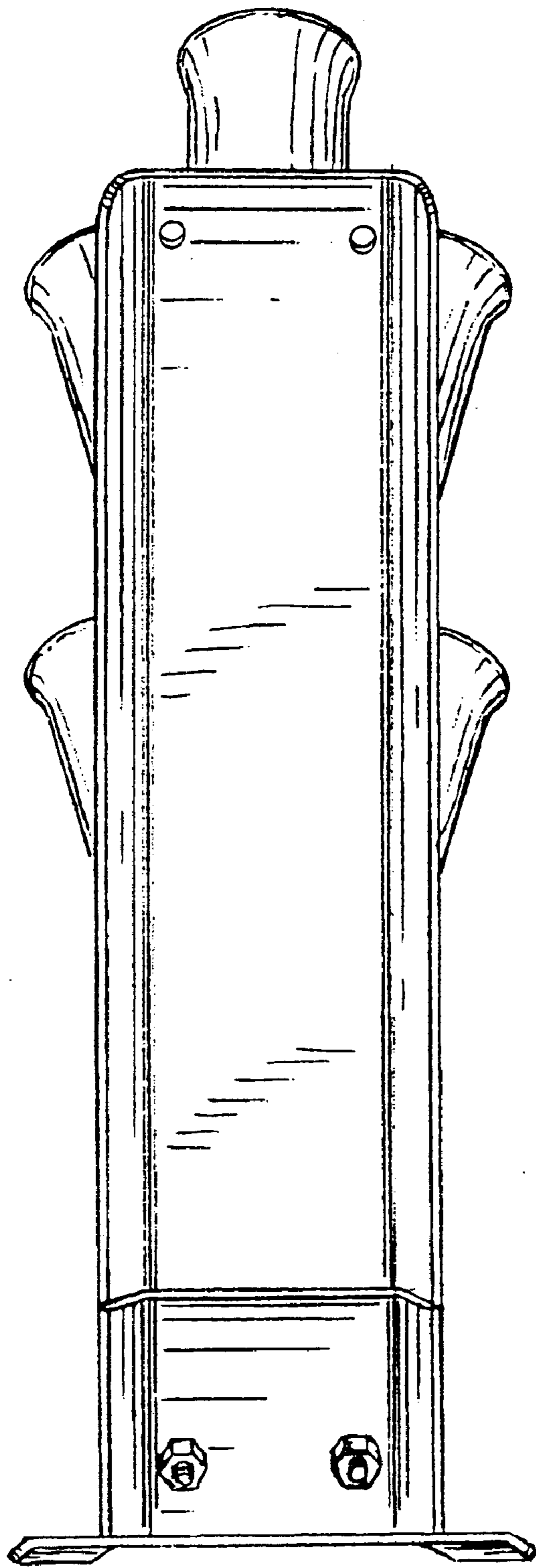


FIG. 5

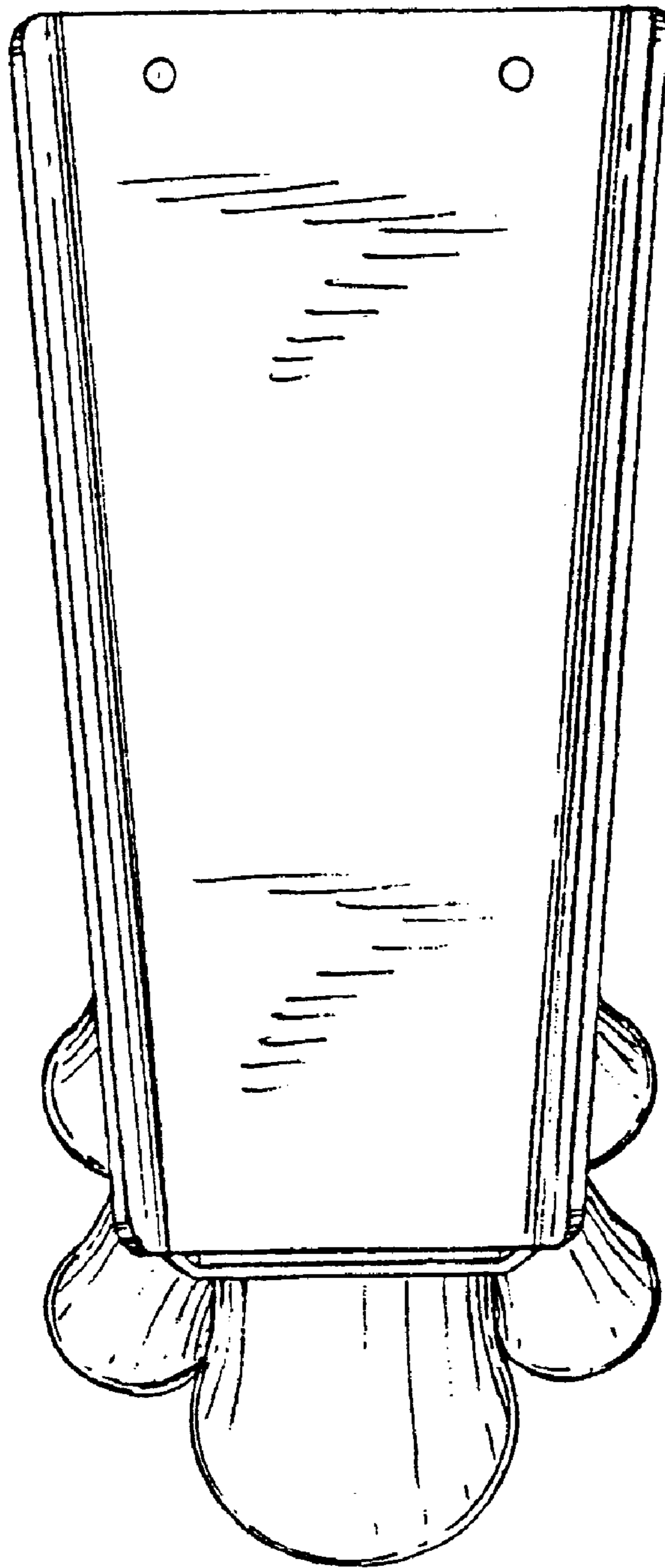


FIG. 6