



US00D469923S

(12) **United States Design Patent**  
**Gersten et al.**

(10) **Patent No.:** **US D469,923 S**

(45) **Date of Patent:** **\*\* Feb. 4, 2003**

(54) **ANTIPERSPIRANT AND/OR DEODORANT PRODUCT**

WO WO 99/23998 5/1999  
WO WO 00/19861 4/2000

(75) Inventors: **Iris Davis Gersten**, Gaithersburg, MD (US); **Hermes van der Lee**, Ashton, MD (US); **James L. Solan**, Rockville, MD (US); **Janet L. O'Leary**, Ashland, MA (US); **Cheryl L. Galante**, Marshfield, MA (US)

(73) Assignee: **The Gillette Company**, Boston, MA (US)

(\*\*) Term: **14 Years**

(21) Appl. No.: **29/132,142**

(22) Filed: **Nov. 2, 2000**

(51) **LOC (7) Cl.** ..... **28-02**

(52) **U.S. Cl.** ..... **D28/4**

(58) **Field of Search** ..... D28/4, 7, 8.1, D28/76, 77; D9/337, 338, 520, 558, 414, 424; 132/317, 318, 320; 206/385, 581, 823; 401/6, 17, 35, 49-98, 170-182; 424/78.02, 78.03, 63-68, 401; 510/146

(56) **References Cited**

**U.S. PATENT DOCUMENTS**

D27,864 S	11/1897	Blackman
692,481 A	2/1902	Robinson
964,422 A	7/1910	Hood
1,669,016 A	5/1928	O'Neil
1,791,359 A	2/1931	Henriksen
2,101,540 A	12/1937	Gullich

(List continued on next page.)

**FOREIGN PATENT DOCUMENTS**

DE	199 21 183 A1	11/2000	
FR	977194	3/1951	
GB	2014507 A	2/1979	
GB	D2081820	7/1999	
JP	8-119833 A *	5/1996	..... A45D/33/00

**OTHER PUBLICATIONS**

“bac deo-stick”, undated photos.  
“bac deo-stick”, 2 undated photographs.  
The Body Shop Skin & Hair Care Products catalog holiday edition c 1995; p. 16 makeup indicated by arrows.

*Primary Examiner*—Ted Shooman

*Assistant Examiner*—C Tuttle

(74) *Attorney, Agent, or Firm*—Fish & Richardson P.C.

(57) **CLAIM**

The ornamental design for an antiperspirant and/or deodorant product, as shown and described.

**DESCRIPTION**

FIG. 1 is a perspective view of an antiperspirant and/or deodorant product showing the new design;

FIG. 2 is a top plan view of the antiperspirant and/or deodorant product of FIG. 1;

FIG. 3 is a front elevation view of the antiperspirant and/or deodorant product of FIG. 1, the rear elevation view being the same;

FIG. 4 is a side elevation view of the antiperspirant and/or deodorant product of FIG. 1, the other side elevation view being the same;

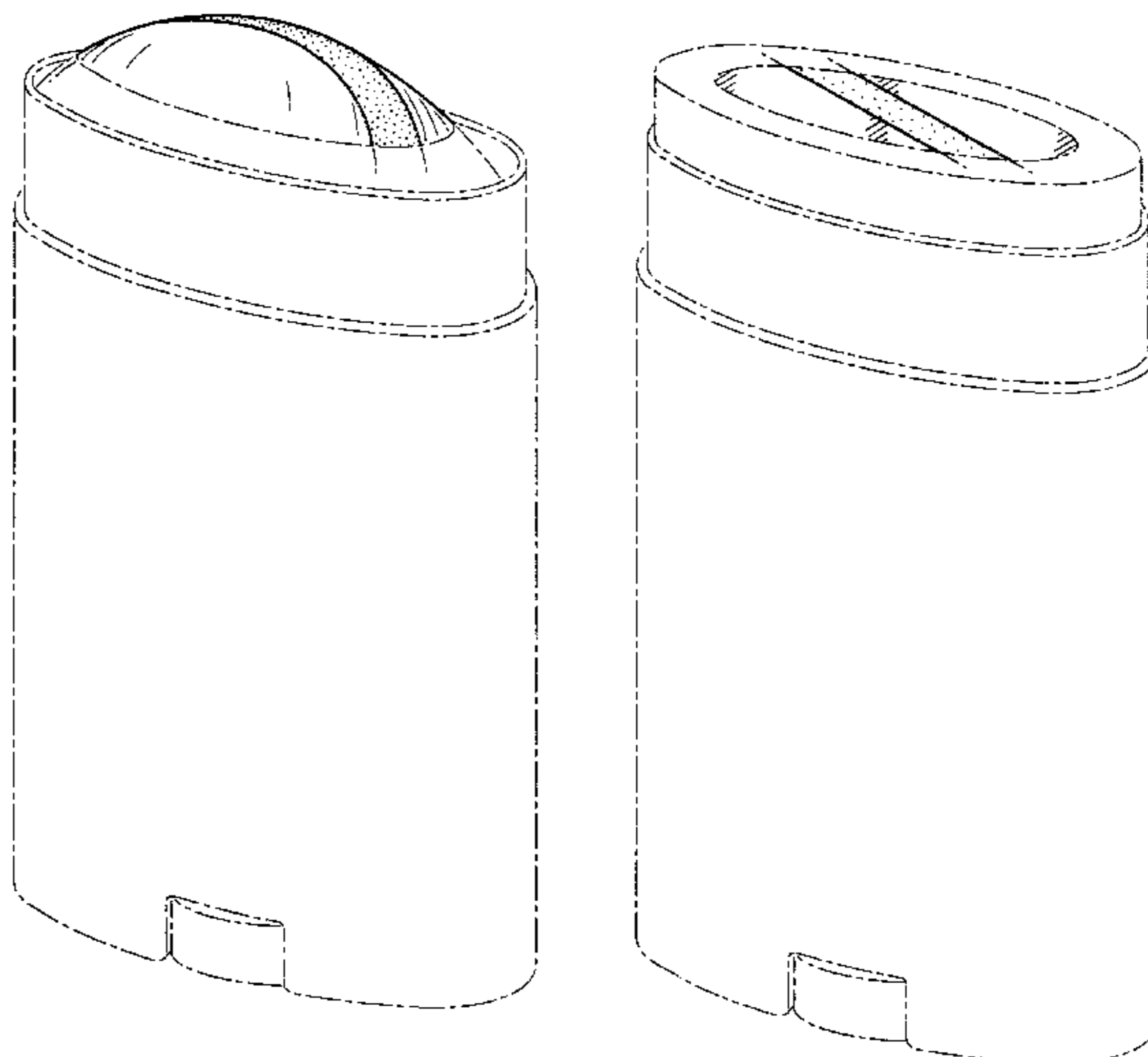
FIG. 5 is a perspective view of a second embodiment of the antiperspirant and/or deodorant product; and,

FIG. 6 is a top plan view of the antiperspirant and/or deodorant product of FIG. 5.

The inner elliptical broken line which defines the outer boundary of the claimed design forms no part thereof. The broken lines showing the container underlying the broken line boundary are for illustrative purposes only and form no part of the claimed design.

The stippling represents a surface having a color that contrasts with the color of the surface that does not include stippling.

**1 Claim, 3 Drawing Sheets**



# US D469,923 S

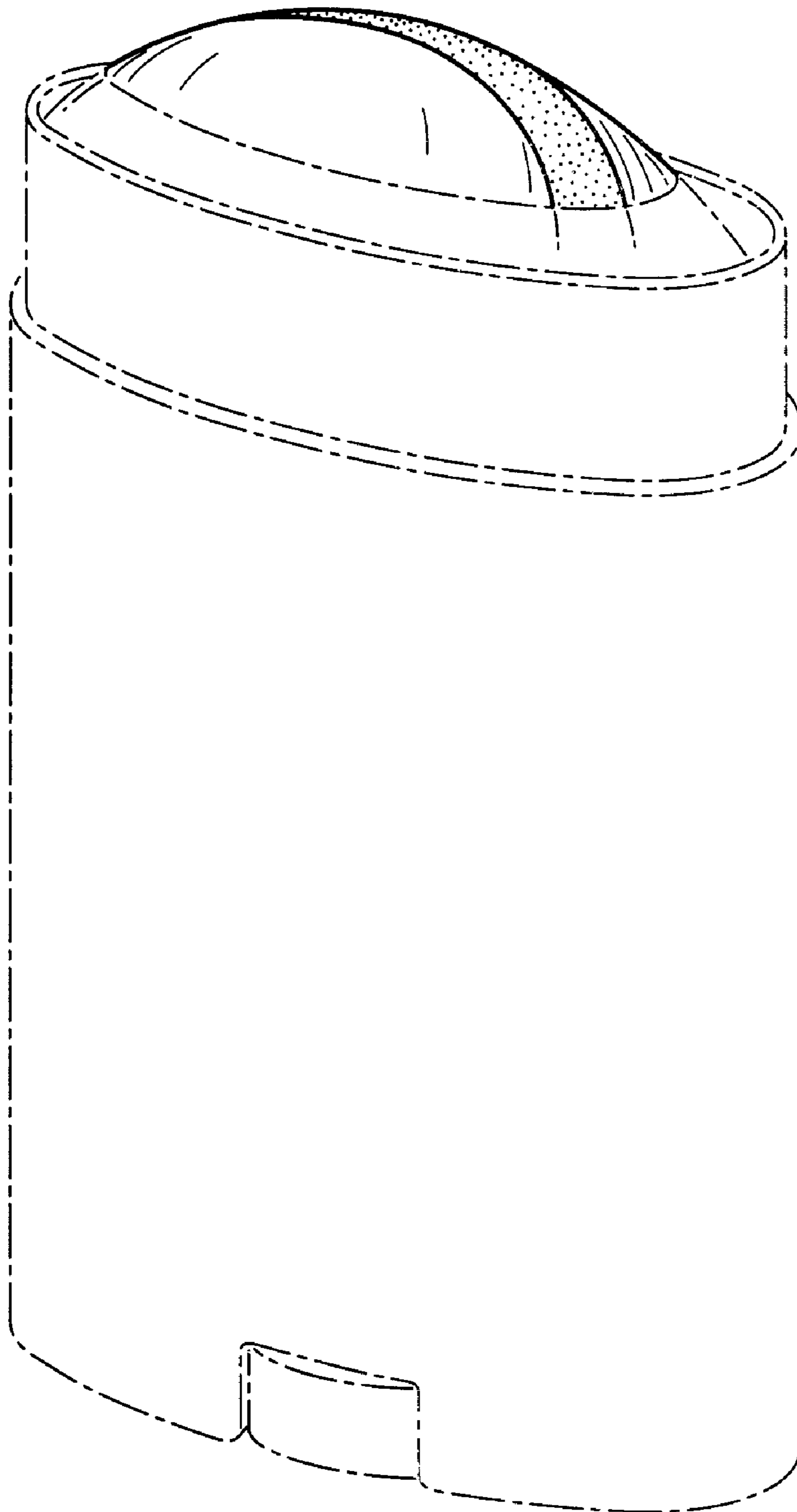
Page 2

## U.S. PATENT DOCUMENTS

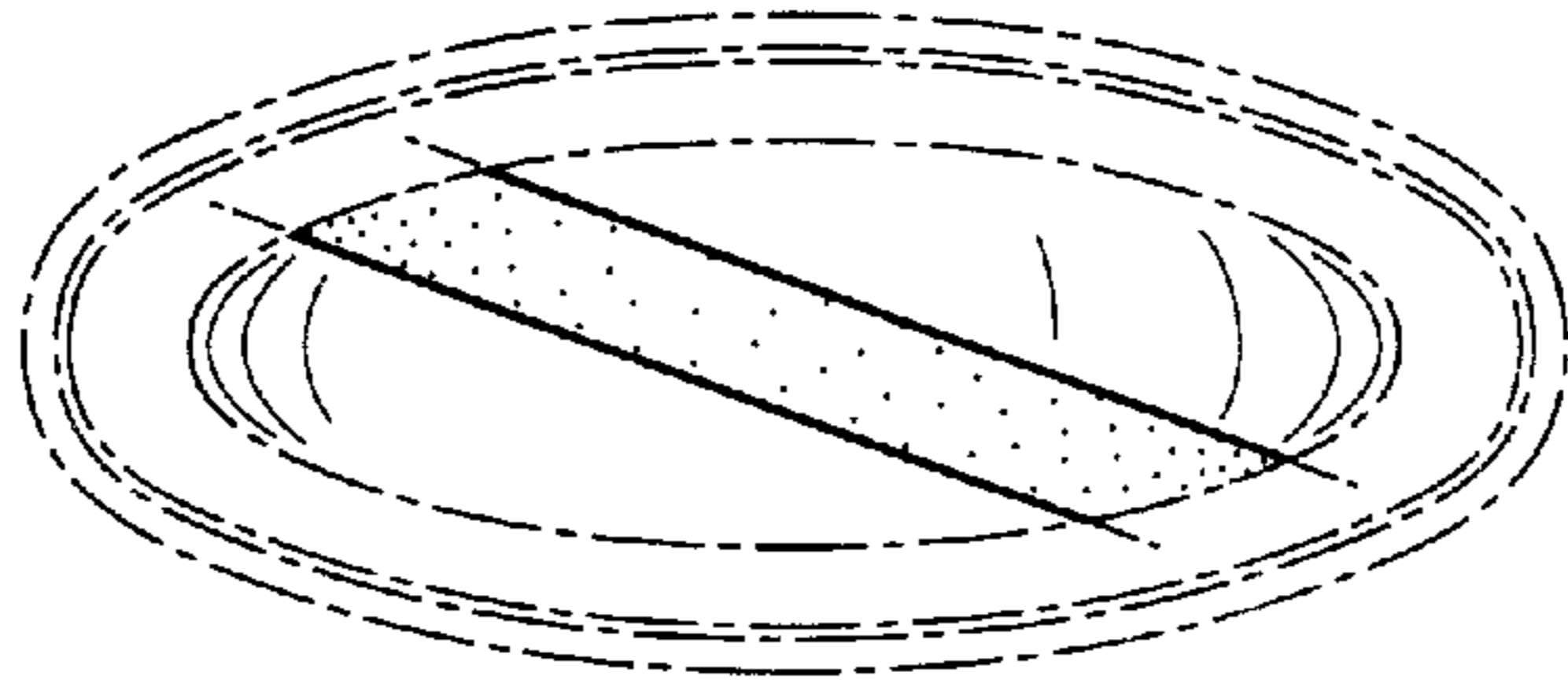
2,165,420 A	7/1939	Siefert	5,965,501 A	10/1999	Rattinger
2,174,779 A	10/1939	Delorme	D423,713 S	4/2000	Szekely
2,613,185 A	10/1952	Marshall	D430,346 S	8/2000	van der Hagen
2,970,083 A	1/1961	Bell	6,096,296 A	8/2000	Alflen et al.
D201,229 S	5/1965	Burke	D443,951 S	6/2001	Look
3,268,970 A *	8/1966	Kelly et al. .... 425/131.1	D444,264 S	6/2001	Look
3,294,692 A	12/1966	Kelly et al.	D444,265 S	6/2001	Look
3,479,429 A	11/1969	Morshauser et al.	D444,593 S	7/2001	Look
4,120,948 A	10/1978	Shelton	D444,913 S	7/2001	Look
4,202,879 A	5/1980	Shelton	D446,356 S	8/2001	Look
4,393,643 A	7/1983	Fryar et al.	D446,606 S	8/2001	Look
4,511,552 A	4/1985	Cox	D446,607 S	8/2001	Look
4,524,062 A	6/1985	Laba et al.	D454,227 S	3/2002	Look ..... D28/77
4,578,207 A	3/1986	Holdt et al.	D454,228 S	3/2002	Look ..... D28/77
4,714,085 A	12/1987	Von Kleinsorgen	D454,229 S	3/2002	Look ..... D28/77
4,743,443 A	5/1988	Pisani et al.	D454,414 S	3/2002	Look ..... D28/77
4,786,449 A	11/1988	Smit	D454,661 S	3/2002	Look ..... D28/77
4,879,063 A	11/1989	Wood-Rethwill et al.	D454,662 S	3/2002	Look ..... D28/77
5,217,639 A	6/1993	Mottola	D454,663 S	3/2002	Look ..... D28/77
D344,154 S	2/1994	Mottola	D454,664 S	3/2002	Look ..... D28/77
5,330,751 A	7/1994	Curtin et al.	D454,665 S	3/2002	Look ..... D28/77
5,388,924 A *	2/1995	Chao ..... 401/35	D454,666 S	3/2002	Look ..... D28/77
5,417,964 A	5/1995	Carlson, Sr. et al.	D454,666 S	3/2002	Look ..... D28/77
5,538,161 A	7/1996	Koehler et al.	D454,983 S	3/2002	Look ..... D28/77
5,587,153 A	12/1996	Angelone , Jr. et al.	D454,984 S	3/2002	Look ..... D28/77
5,705,171 A	1/1998	Iovanni et al.	D454,985 S	3/2002	Look ..... D28/77
5,759,974 A	6/1998	Menke et al.	D457,263 S *	5/2002	Gersten et al. .... D28/4
			D457,264 S *	5/2002	Gersten et al. .... D28/4

\* cited by examiner

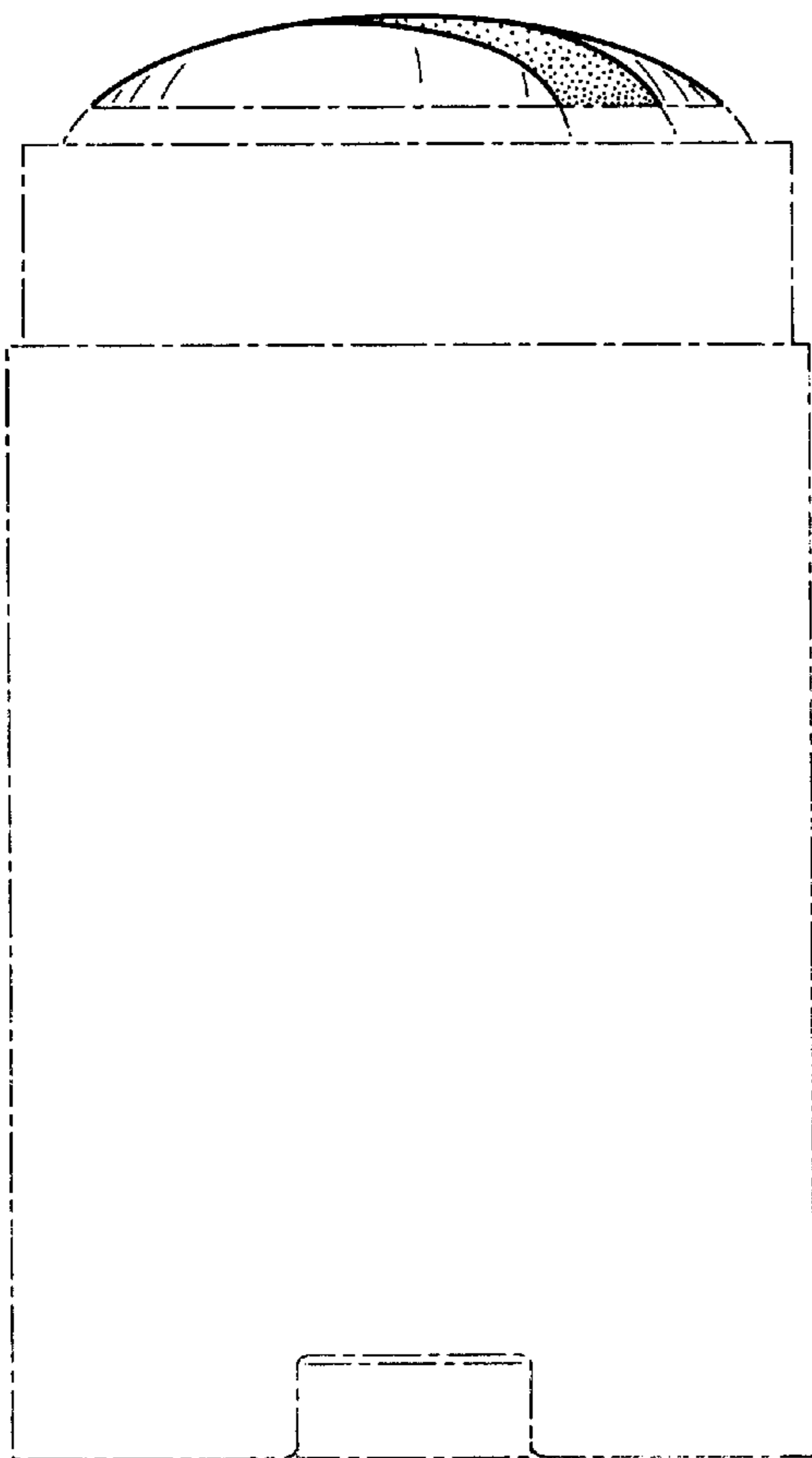
# FIG. 1



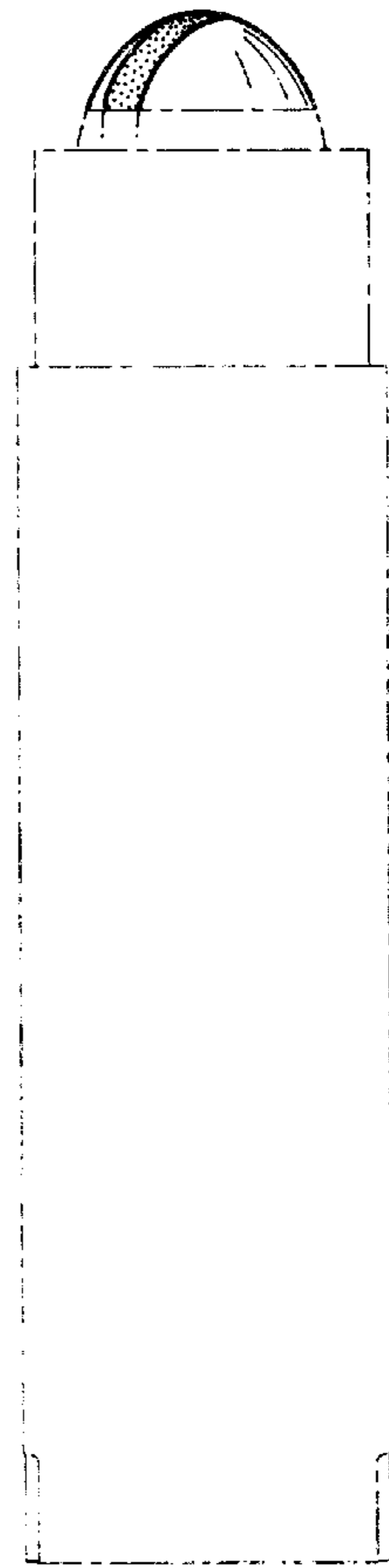
**FIG. 2**



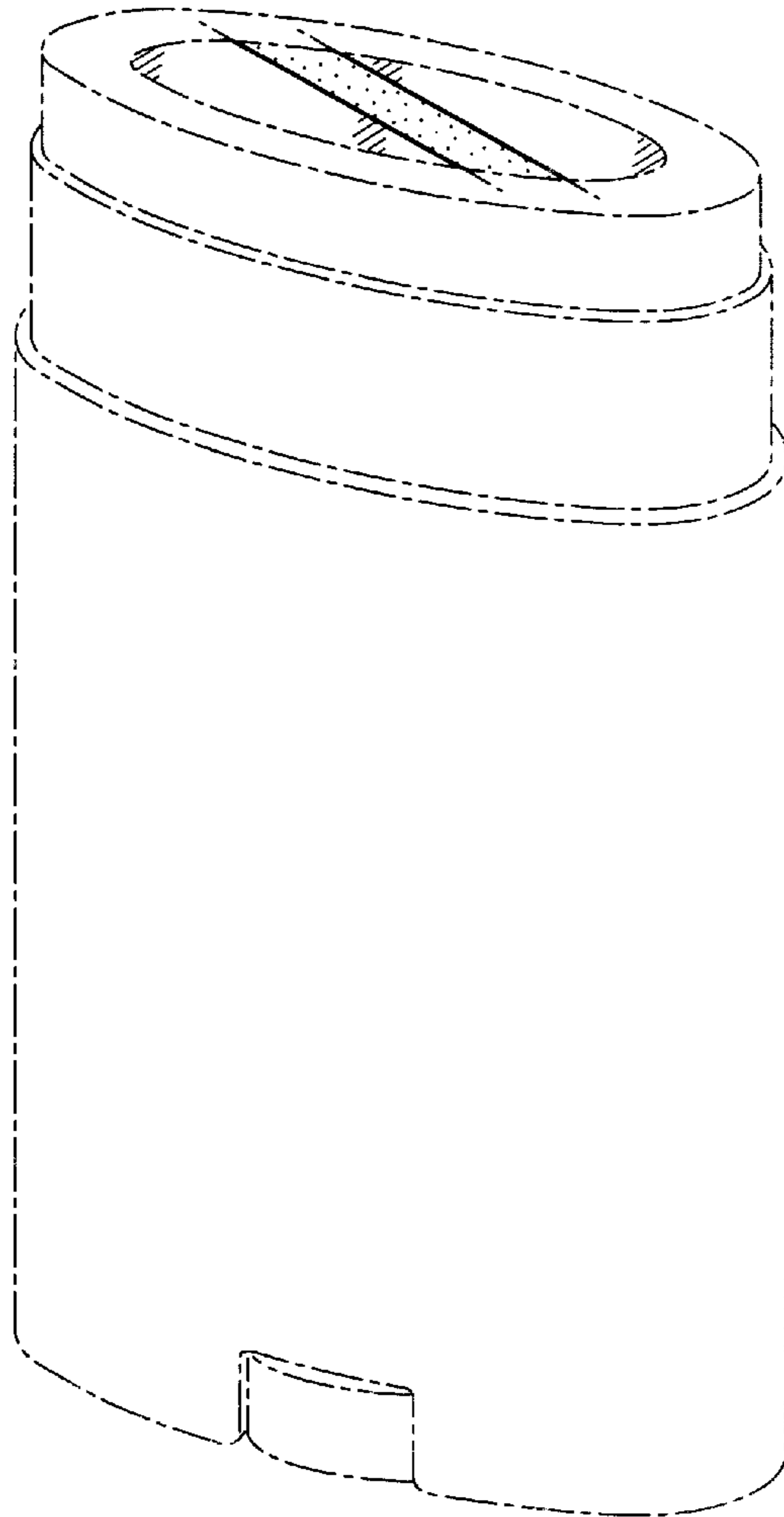
**FIG. 3**



**FIG. 4**



**FIG. 5**



**FIG. 6**

