



US00D469920S

(12) **United States Design Patent**
Hong

(10) **Patent No.:** **US D469,920 S**

(45) **Date of Patent:** **** Feb. 4, 2003**

(54) **COMBINATION CIGAR LIGHTER AND CUTTER**

Primary Examiner—Jennifer Rivard
(74) *Attorney, Agent, or Firm*—Salter & Michaelson

(75) **Inventor:** **Sung-Hak Hong**, Incheon (KR)

(57) **CLAIM**

(73) **Assignee:** **Colibri Corporation**, Providence, RI (US)

The ornamental design for a combination cigar lighter and cutter, as shown.

(**) **Term:** **14 Years**

DESCRIPTION

(21) **Appl. No.:** **29/163,019**

FIG. 1 is a front perspective view of a combination cigar lighter and cutter showing my new design;
FIG. 2 is a rear perspective view thereof;
FIG. 3 is a front elevational view thereof;
FIG. 4 is a rear elevational view thereof;
FIG. 5 is a top plan view thereof;
FIG. 6 is a bottom plan view thereof;
FIG. 7 is a left side view thereof;
FIG. 8 is a right side view thereof; and,
FIG. 9 is a rear perspective view showing my combination cigar lighter and cutter in its cutting mode.

(22) **Filed:** **Jun. 25, 2002**

(51) **LOC (7) Cl.** **27-05**

(52) **U.S. Cl.** **D27/143**

(58) **Field of Search** 131/248, 249;
D27/141–143, 152–157; 431/253; 30/109–113

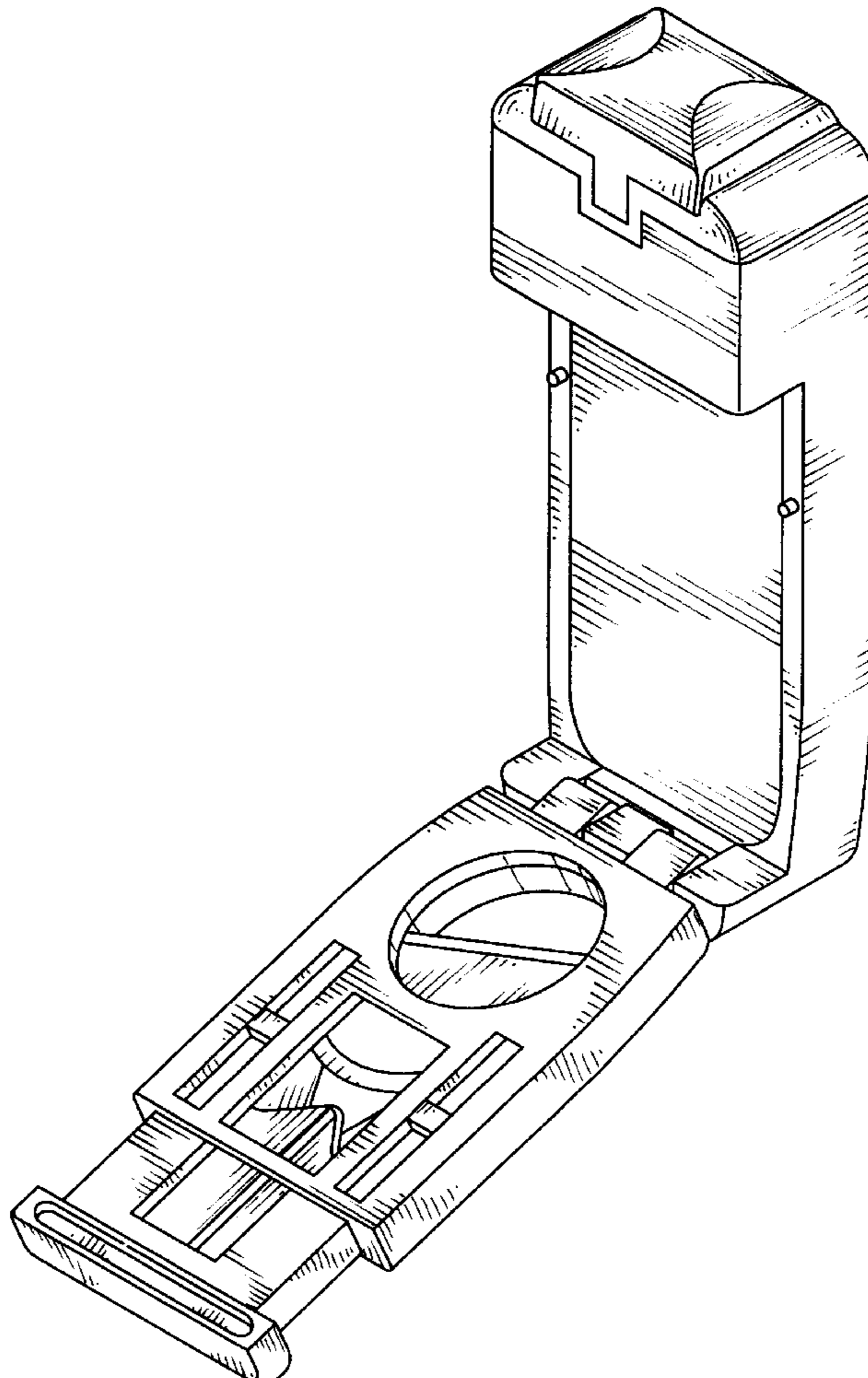
(56) **References Cited**

U.S. PATENT DOCUMENTS

D377,845 S	*	2/1997	Maruyama	D27/142
D451,635 S	*	12/2001	Smith	D27/143
D459,835 S	*	7/2002	Lim	D27/143

* cited by examiner

1 Claim, 5 Drawing Sheets



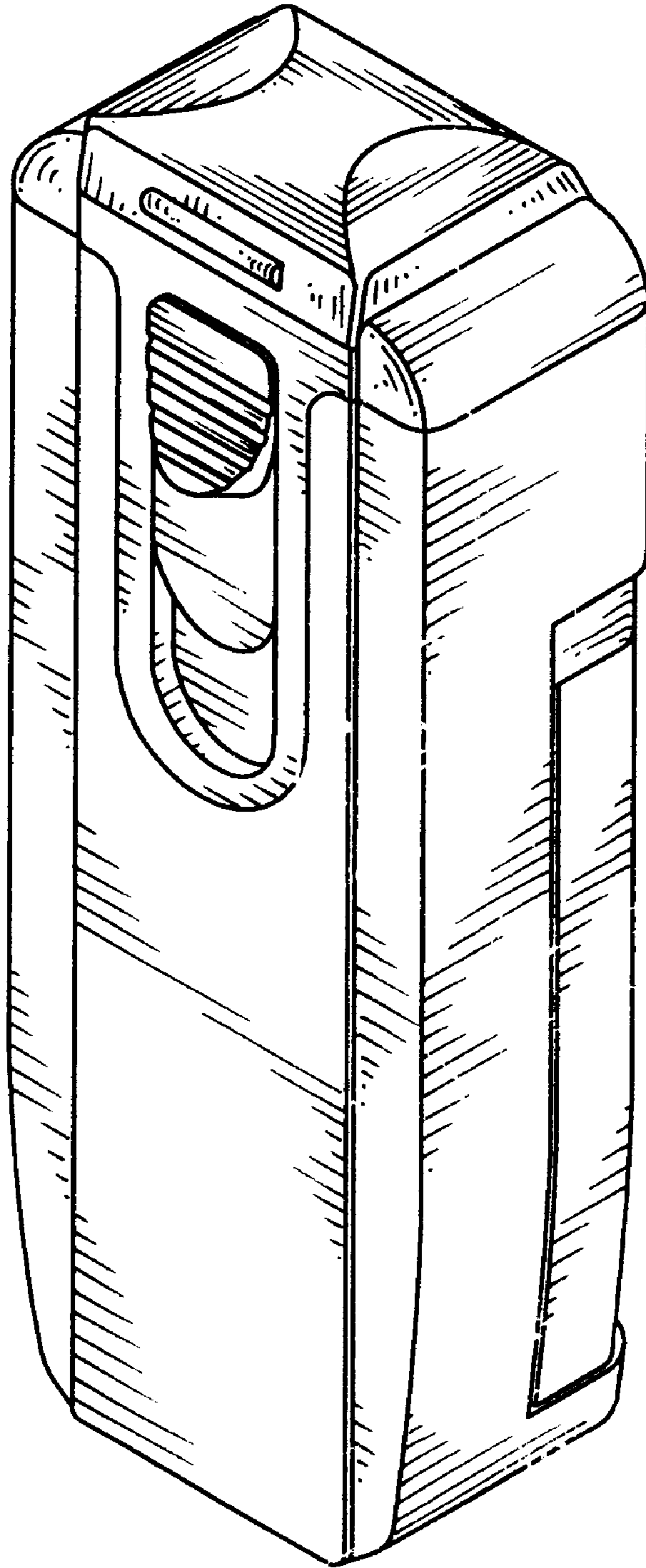


FIG. 1

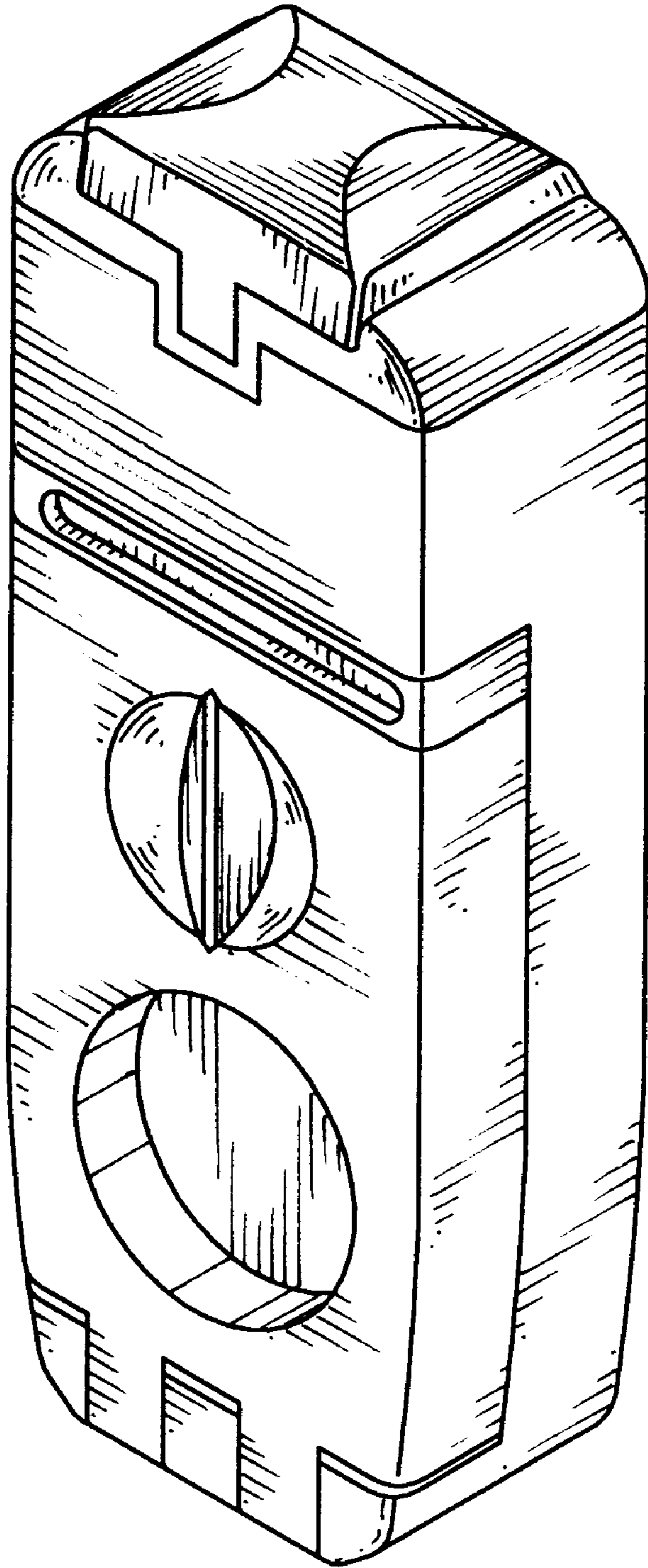


FIG. 2

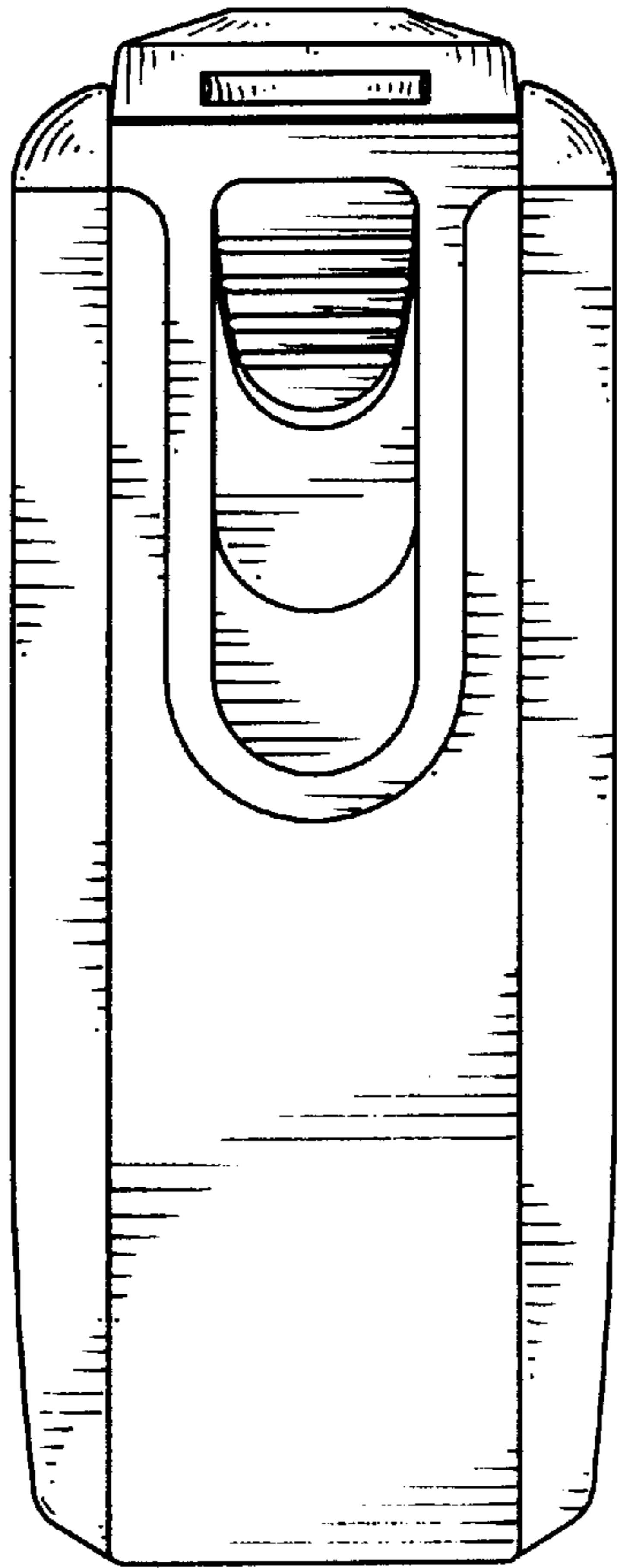


FIG. 3

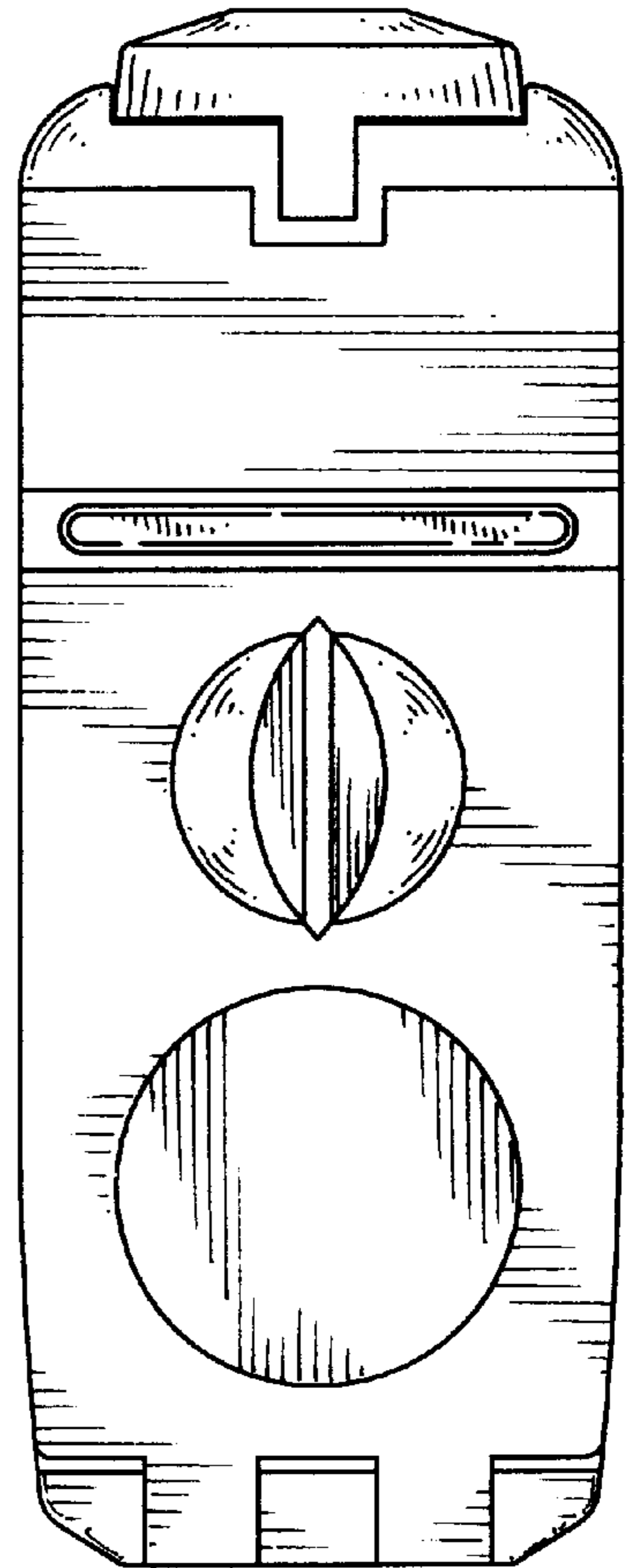


FIG. 4

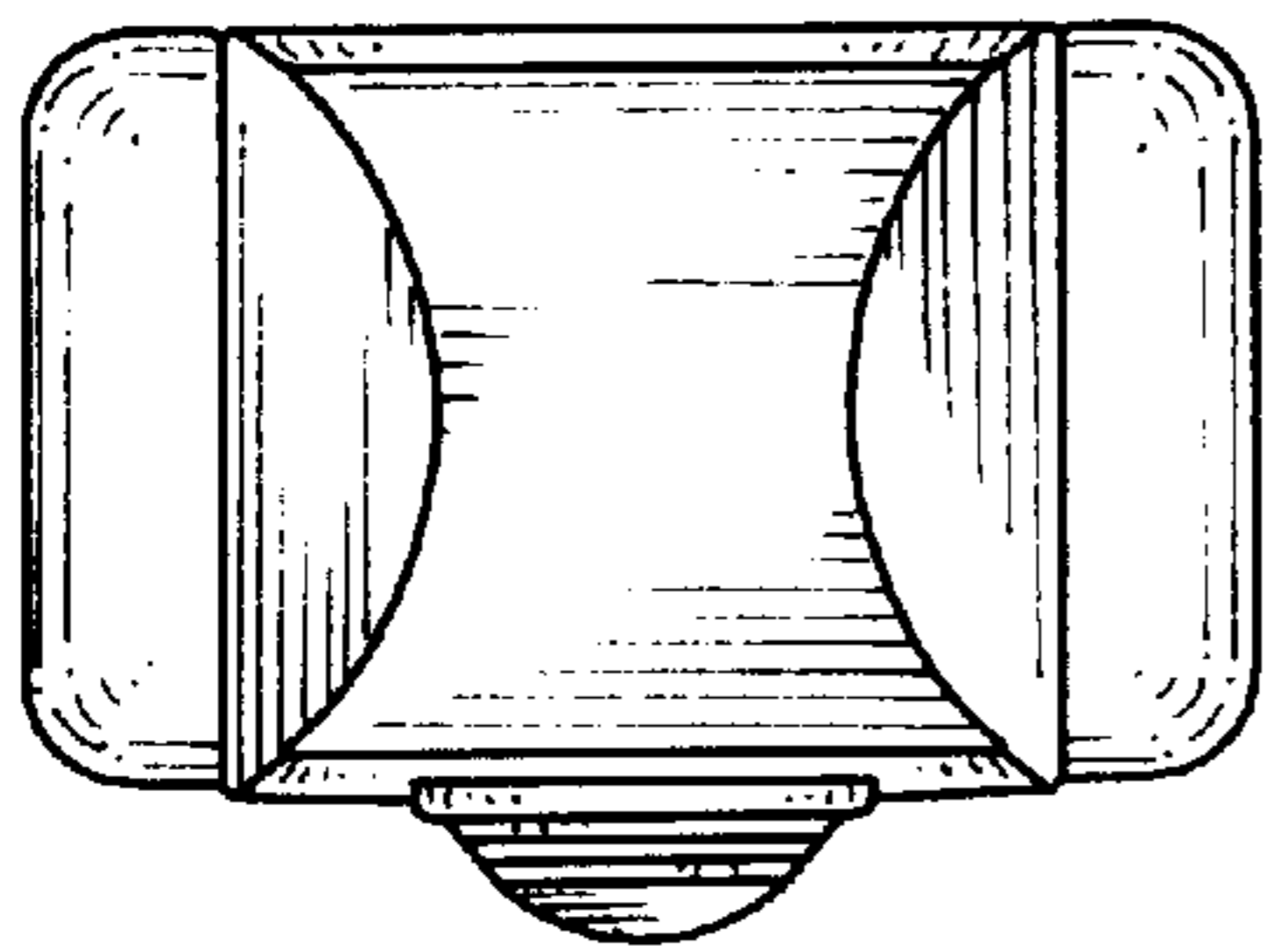


FIG. 5

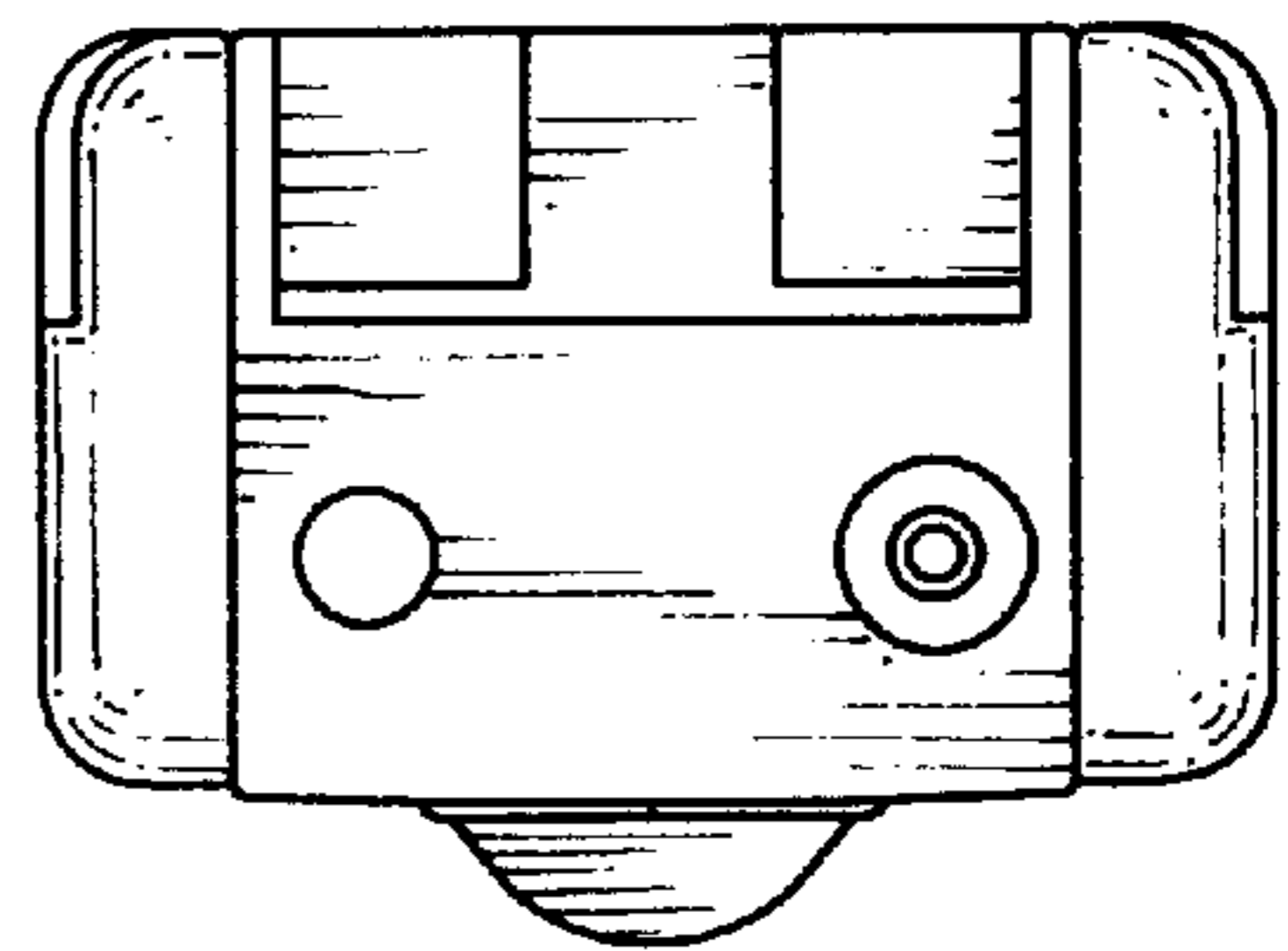


FIG. 6

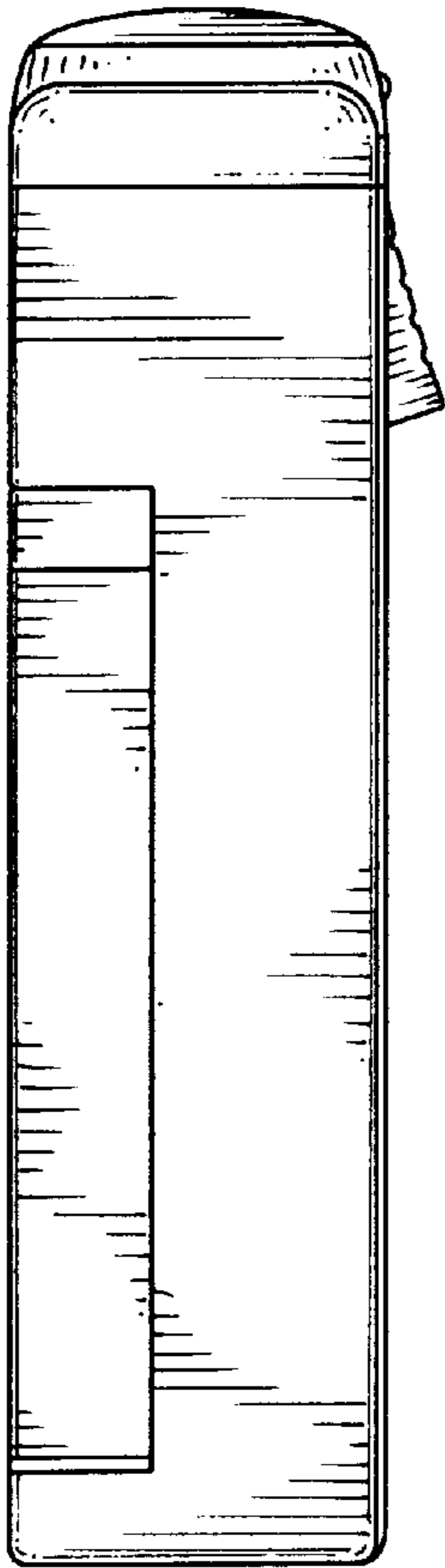


FIG. 7

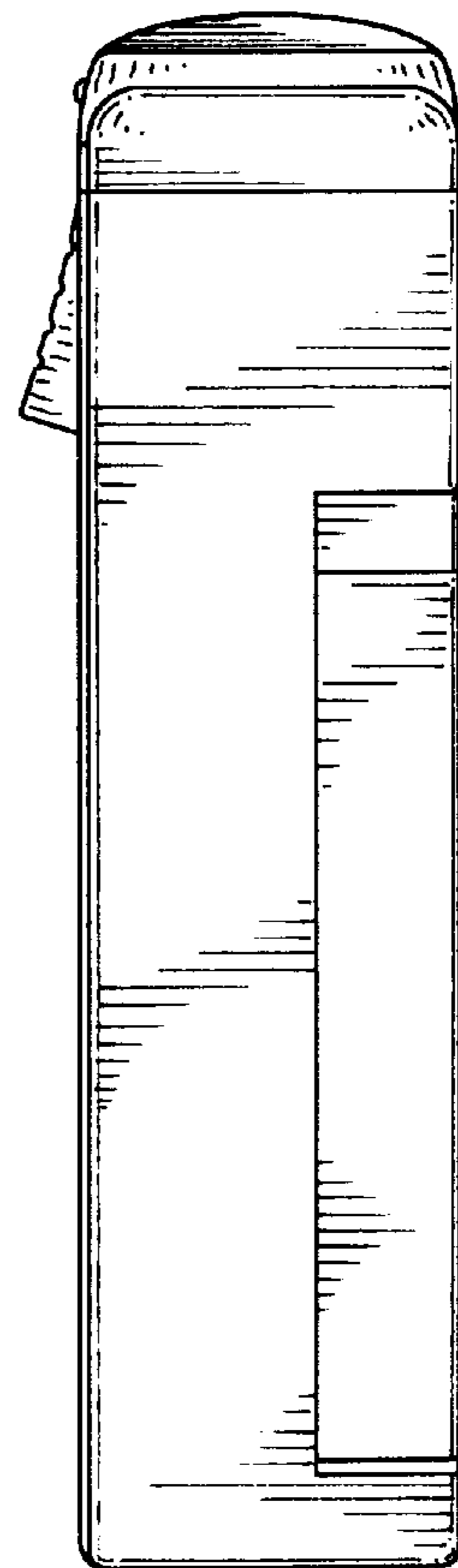


FIG. 8

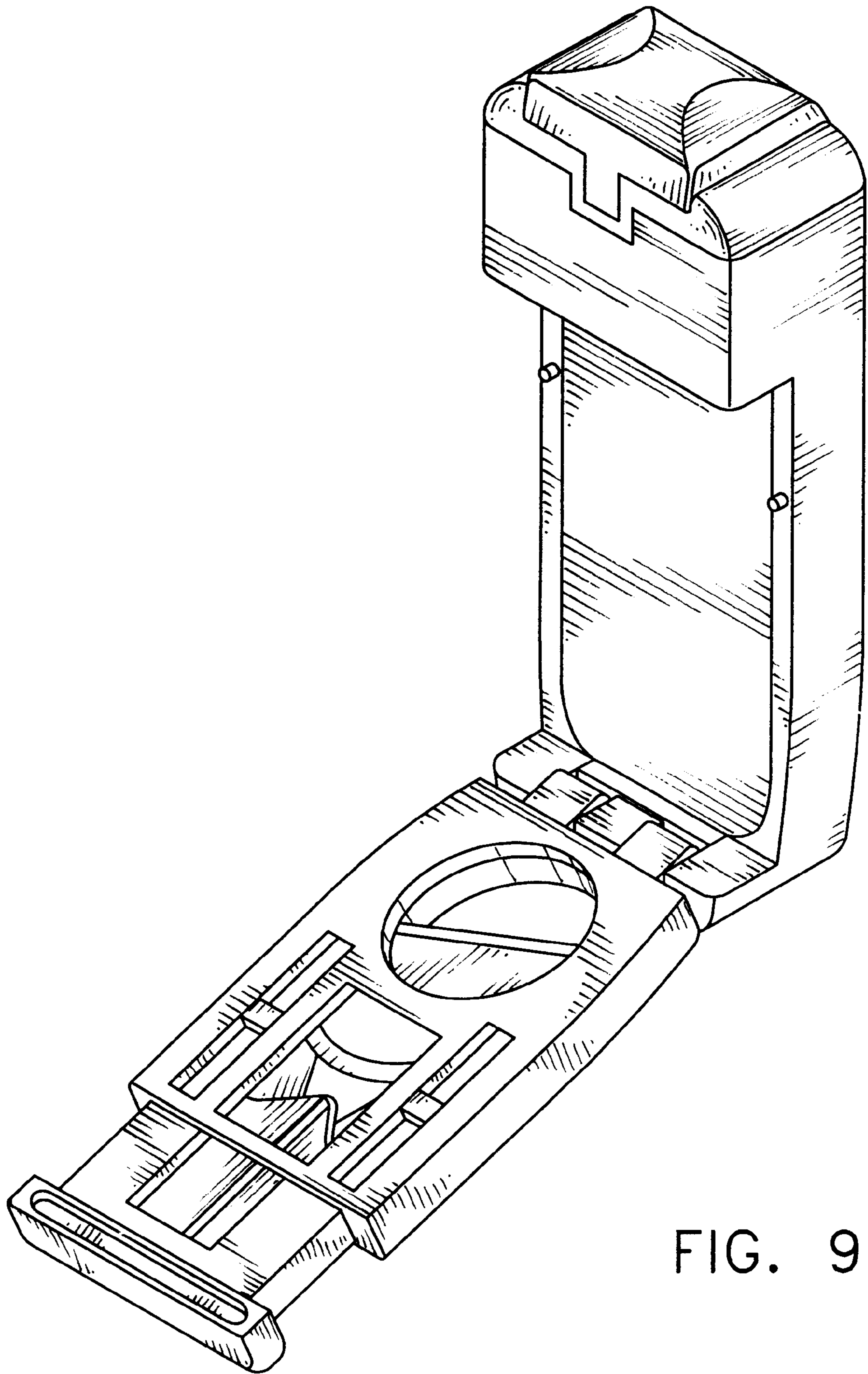


FIG. 9