



US00D469916S

(12) **United States Design Patent**
Caferro et al.

(10) **Patent No.:** **US D469,916 S**

(45) **Date of Patent:** **** Feb. 4, 2003**

(54) **CIRCULAR LIGHTING LOUVER**

(76) Inventors: **Ronald N. Caferro**, E. 9919
Montgomery, Spokane, WA (US) 99206;
Edward N. Caferro, 2503 E. 39th,
Spokane, WA (US) 99223

(**) Term: **14 Years**

(21) Appl. No.: **29/150,389**

(22) Filed: **Nov. 20, 2001**

(51) **LOC (7) Cl.** **26-99**

(52) **U.S. Cl.** **D26/123; D26/152**

(58) **Field of Search** **D26/118, 113,**
D26/74, 120-124, 138, 139, 142, 152;
362/363, 364, 365, 404, 326-340, 341-350

(56) **References Cited**

U.S. PATENT DOCUMENTS

D147,567 S	*	9/1947	Schwartz	D26/123
D250,968 S	*	1/1979	Combest	D26/152
D353,910 S	*	12/1994	Hayman et al.	D26/118
D427,368 S	*	6/2000	Kelmelis et al.	D26/152

OTHER PUBLICATIONS

Drawing of Circular Louver (on sale on or before one year prior to Nov. 20, 2001).

Advertisement for Radial Louvre lights website—<http://www.wila.de/uk/index.htm> (Publication date unknown).

* cited by examiner

Primary Examiner—Jennifer Rivard
(74) *Attorney, Agent, or Firm*—Wells St. John P.S.

(57) **CLAIM**

The ornamental design for a circular lighting louver, as shown and described.

DESCRIPTION

FIG. 1 is a bottom plan view of a circular lighting louver showing our new design;

FIG. 2 is a top plan view thereof;

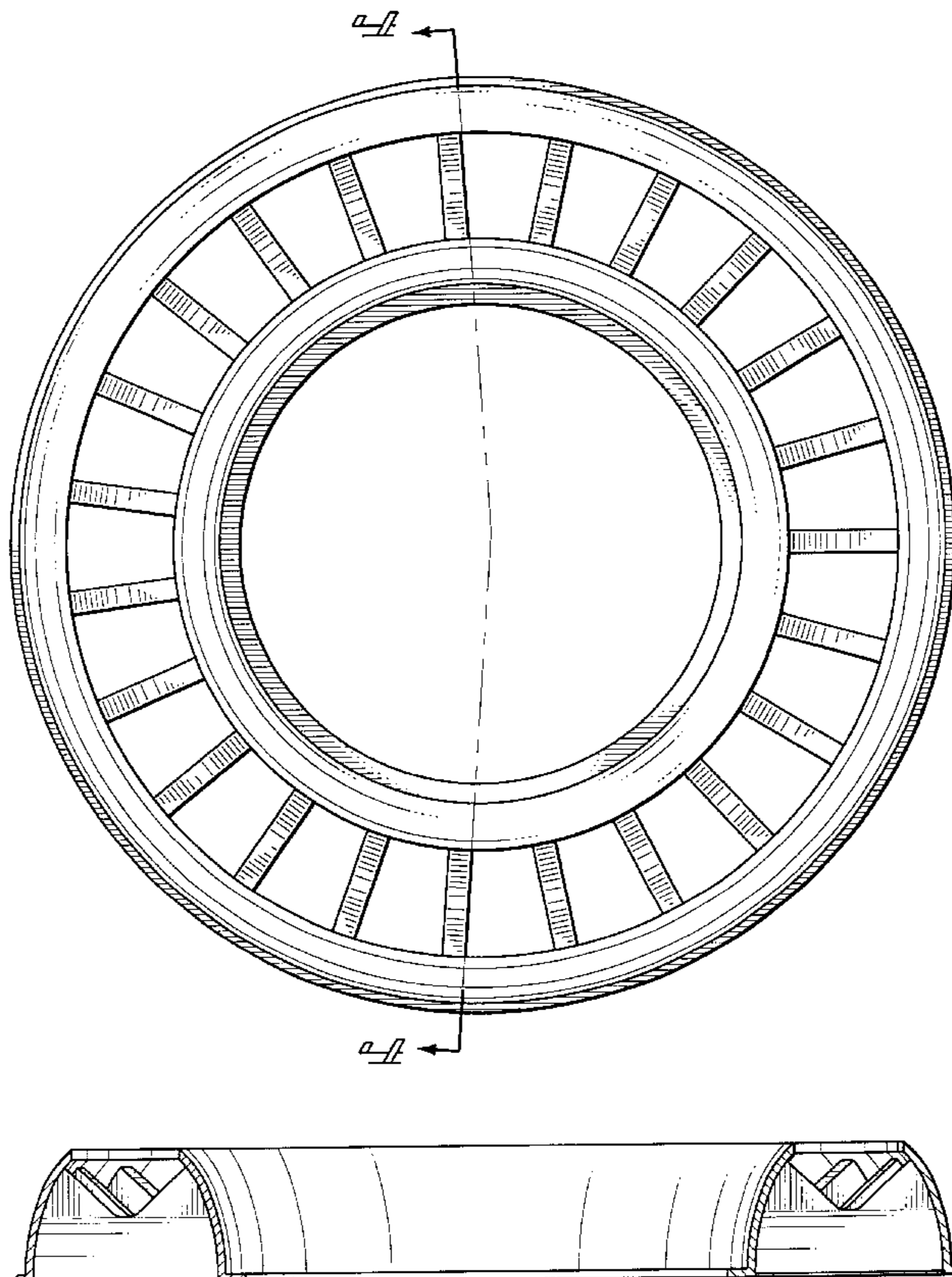
FIG. 3 is a side elevation view thereof, remaining sides being substantially identical thereto;

FIG. 4 is an enlarged sectional view taken on line 4—4 in FIG. 2;

FIG. 5 is a perspective top view thereof; and,

FIG. 6 is a perspective bottom view thereof.

1 Claim, 4 Drawing Sheets



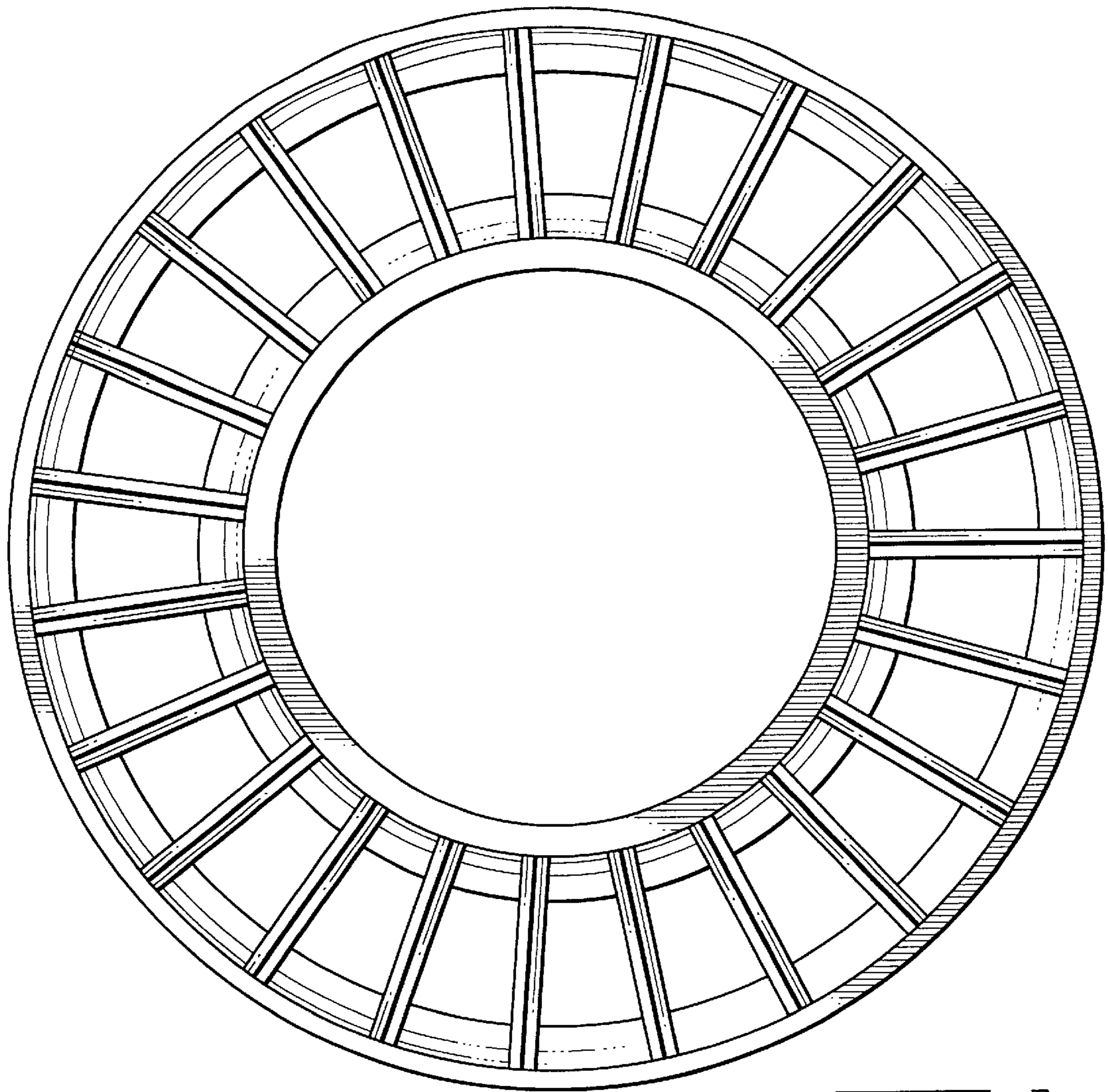


FIG. 1

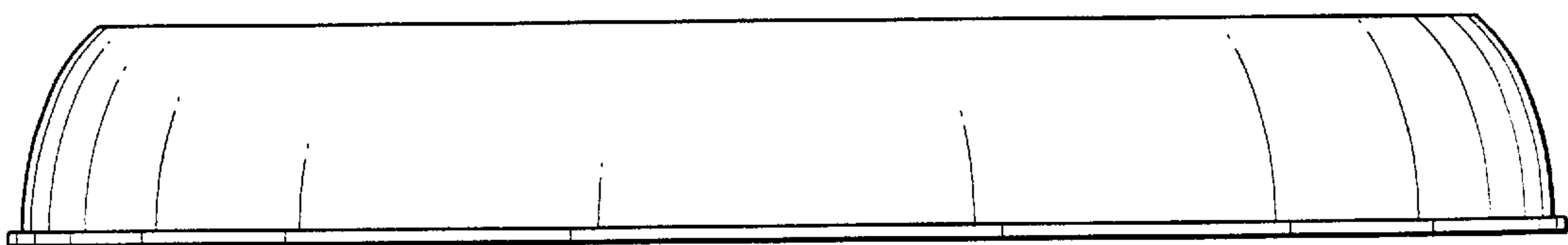
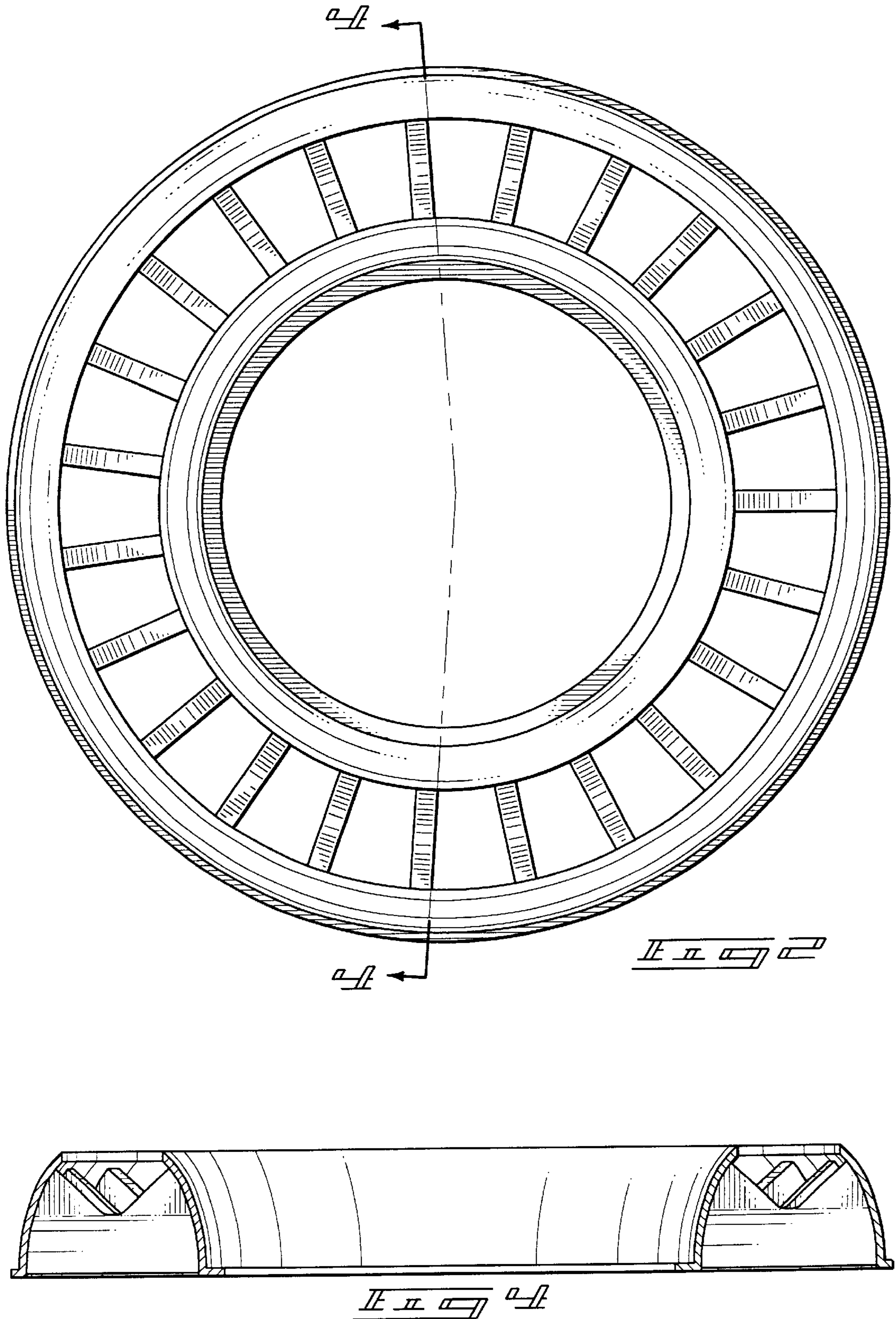


FIG. 2



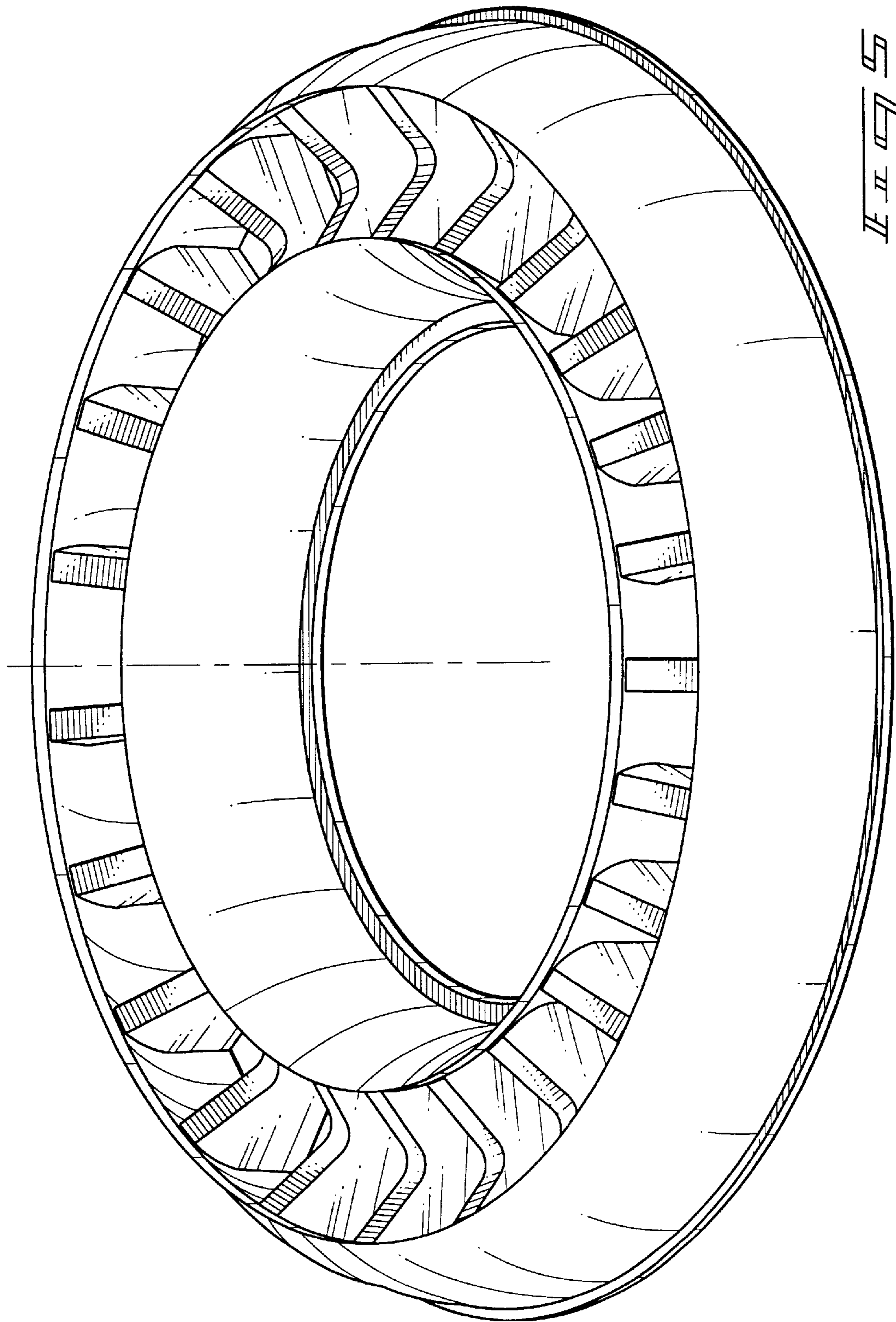


FIG. 3

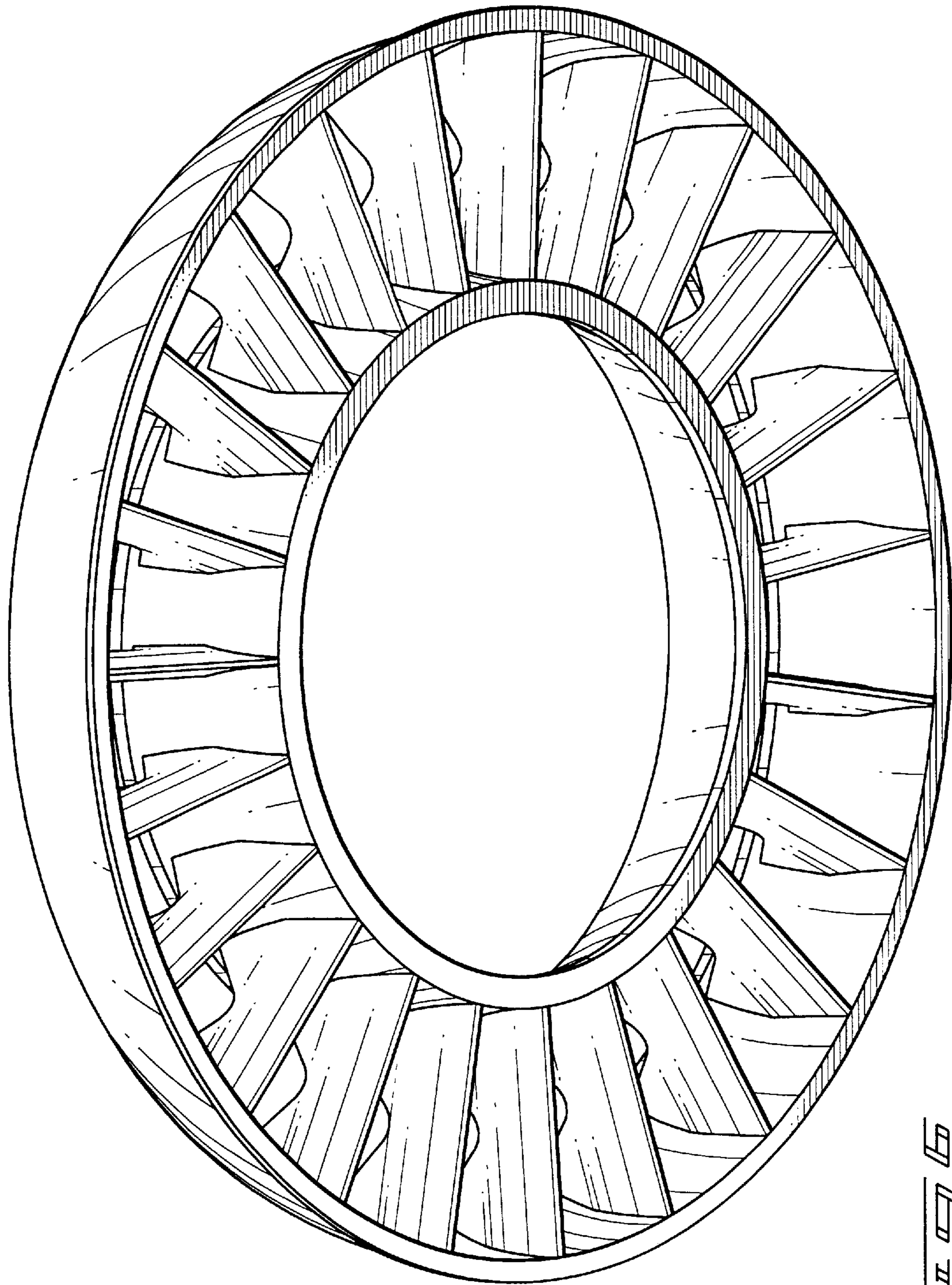


FIG. 4