



US00D469911S

(12) **United States Design Patent**  
**Lee**

(10) **Patent No.:** **US D469,911 S**

(45) **Date of Patent:** **\*\* Feb. 4, 2003**

(54) **LIGHT FITMENT**

(75) Inventor: **Peter K C Lee**, Kowloon (HK)

(73) Assignee: **Hip Shing Fat Co. Ltd.**, Kowloon (HK)

(\*\*) Term: **14 Years**

(21) Appl. No.: **29/142,847**

(22) Filed: **Jun. 4, 2001**

**Related U.S. Application Data**

(63) Continuation-in-part of application No. 29/124,418, filed on Jun. 6, 2000, now Pat. No. Des. 447,593.

(30) **Foreign Application Priority Data**

Jan. 3, 2001 (GB) ..... 2098496

(51) **LOC (7) Cl.** ..... **26-03**

(52) **U.S. Cl.** ..... **D26/85**

(58) **Field of Search** ..... D26/80-92; 362/147, 362/404-408, 432

(56) **References Cited**

**U.S. PATENT DOCUMENTS**

D397,486 S	8/1998	Engle et al.	
D417,027 S	11/1999	Cece	
6,050,708 A	4/2000	Roorda	
D447,593 S	* 9/2001	Lee	D26/87

\* cited by examiner

*Primary Examiner*—Alan P. Douglas

*Assistant Examiner*—Clare E. Heflin

(74) *Attorney, Agent, or Firm*—Volpe and Koenig, P.C.

(57) **CLAIM**

The ornamental design for a light fitment, as shown and described.

**DESCRIPTION**

FIG. 1 is a front perspective view of a light fitment according to my new design;

FIG. 2 is a side view of the light fitment of FIG. 1;

FIG. 3 is a rear view of the light fitment of FIG. 1;

FIG. 4 is an underneath plan view of the light fitment of FIG. 1;

FIG. 5 is an underneath plan view with bracket in a first alternative position of the light fitment of FIG. 1;

FIG. 6 is an underneath plan view with bracket in a second alternative position of the light fitment of FIG. 1;

FIG. 7 is a front perspective view with lamp in an alternative position;

FIG. 8 is a rear view with mounting bracket removed of the light fitment fo FIG. 1;

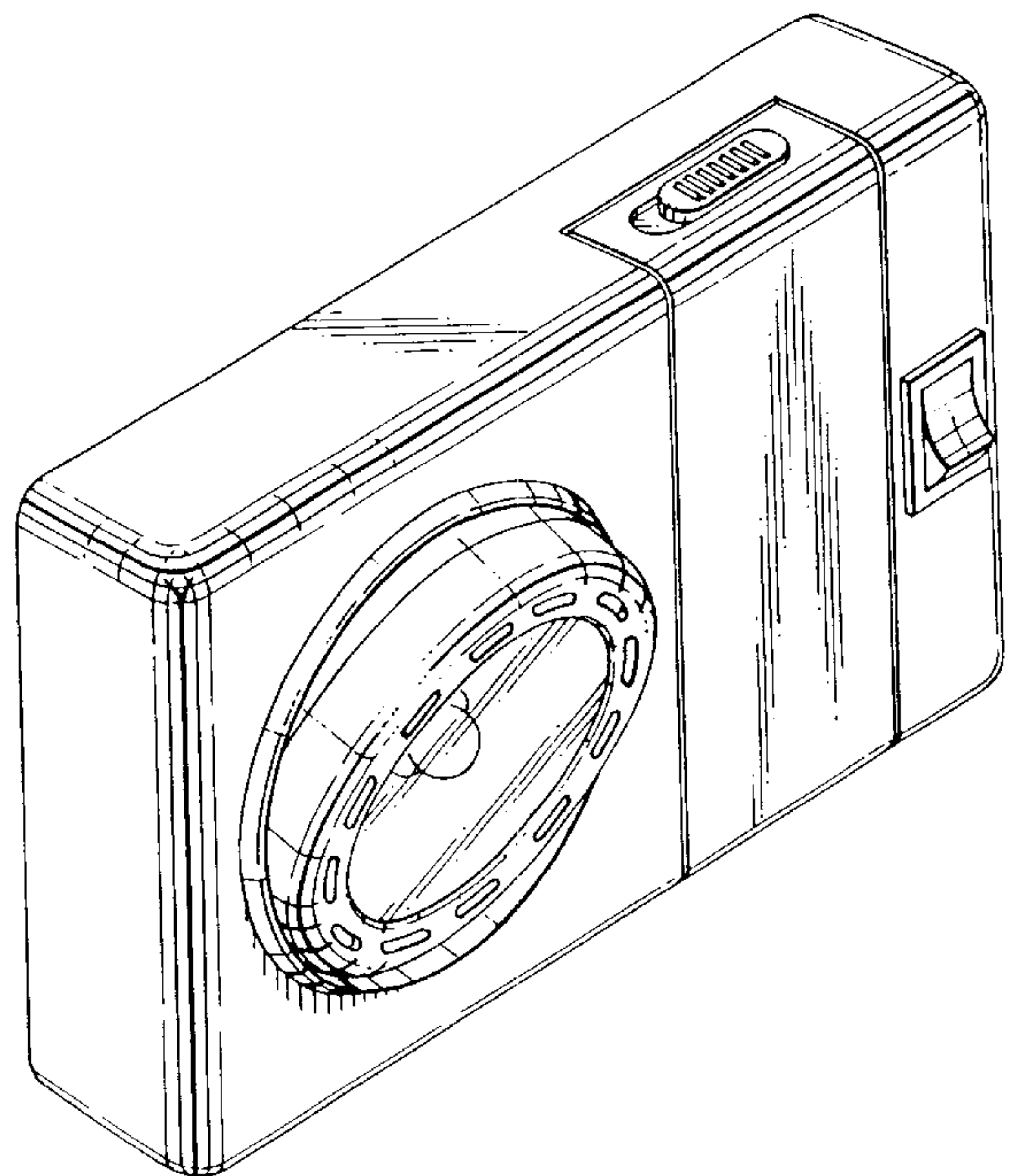
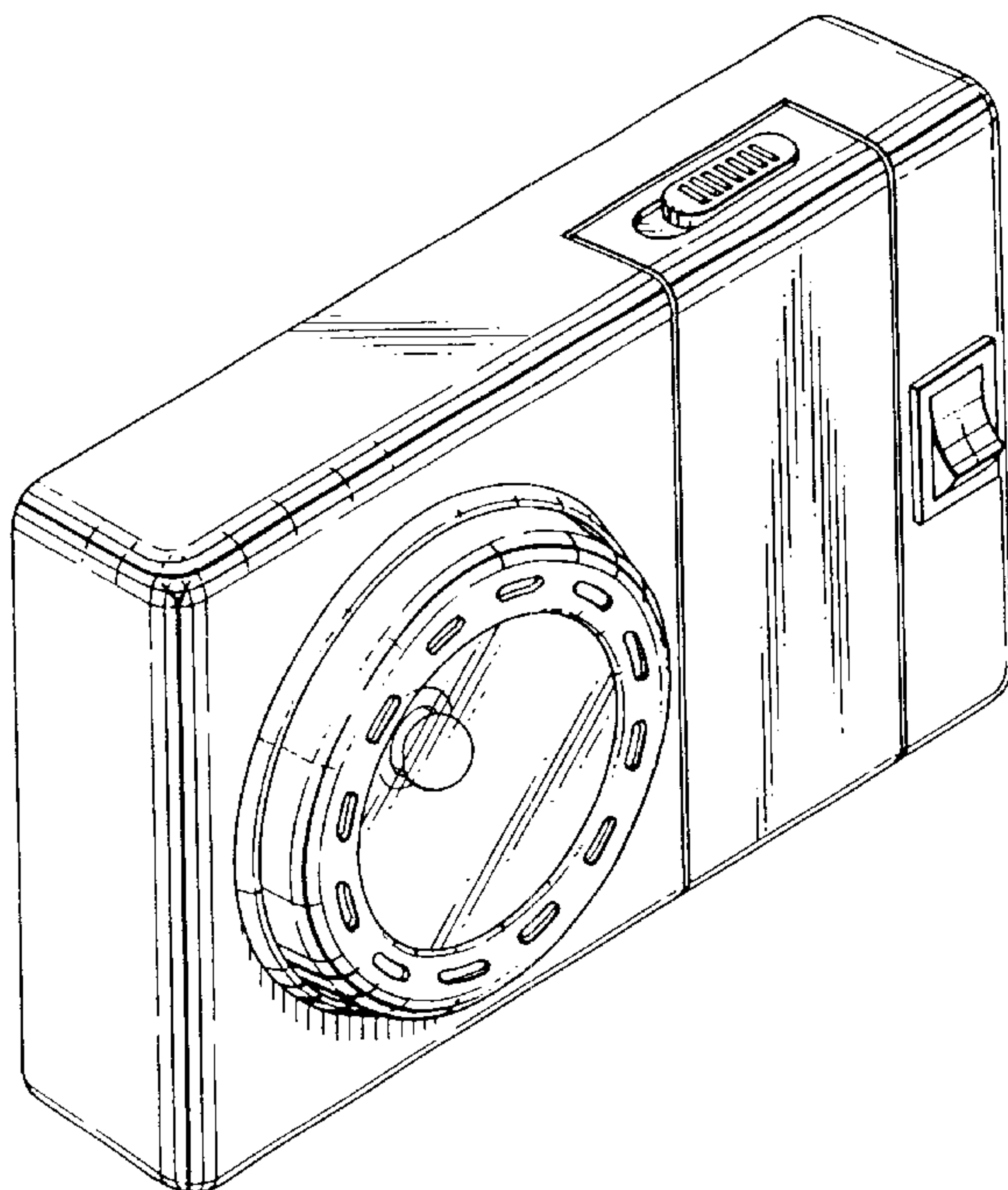
FIG. 9 is a front perspective view from above and one side of mounting bracket of the light fitment of FIG. 1;

FIG. 10 is a rear view of mounting bracket of the light fitment of FIG. 1; and,

FIG. 11 is a plan view of mounting bracket of the light fitment of FIG. 1.

The brackets are shown separately in FIGS. 9-11 for illustrative purposes only.

**1 Claim, 4 Drawing Sheets**



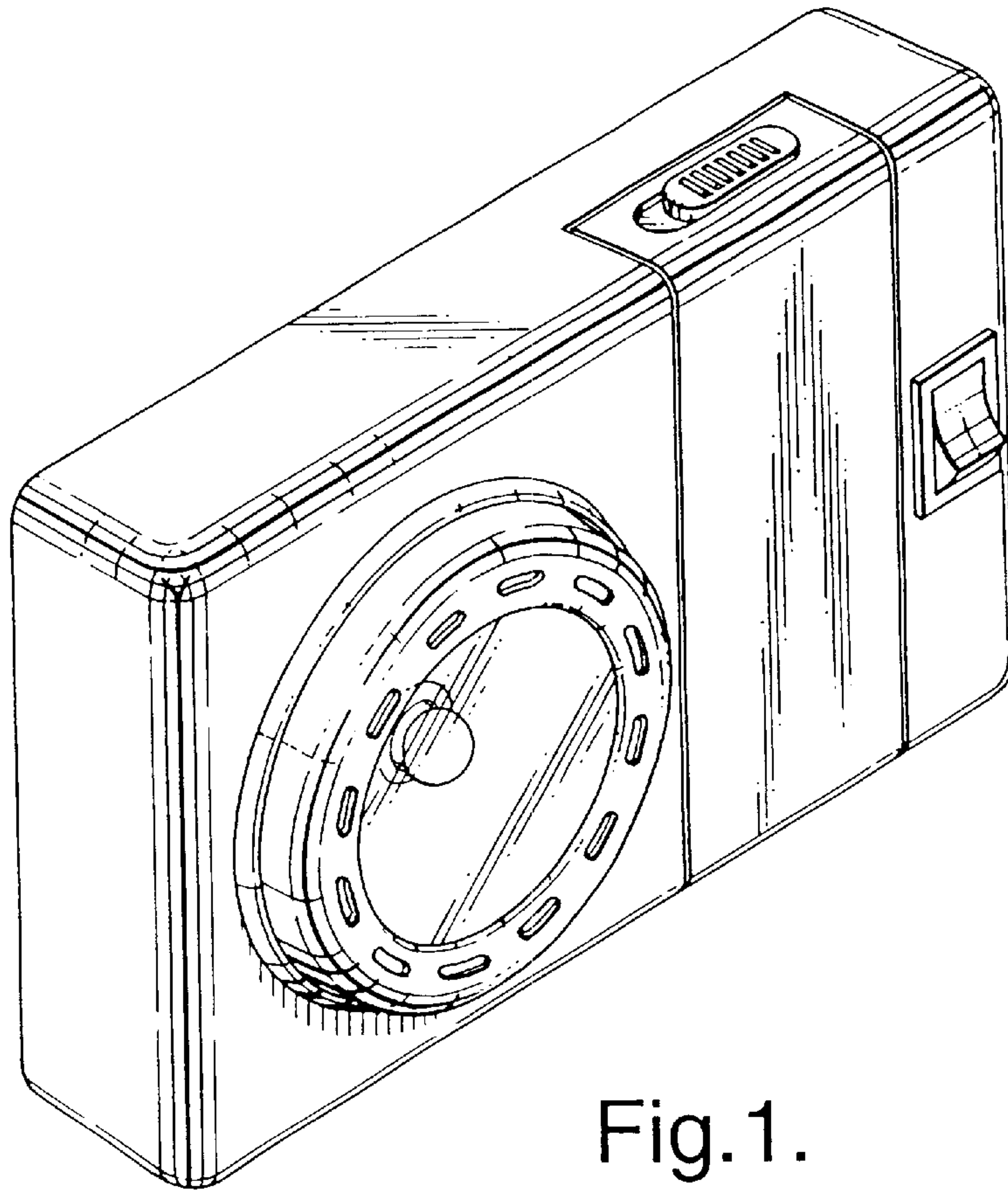


Fig. 1.

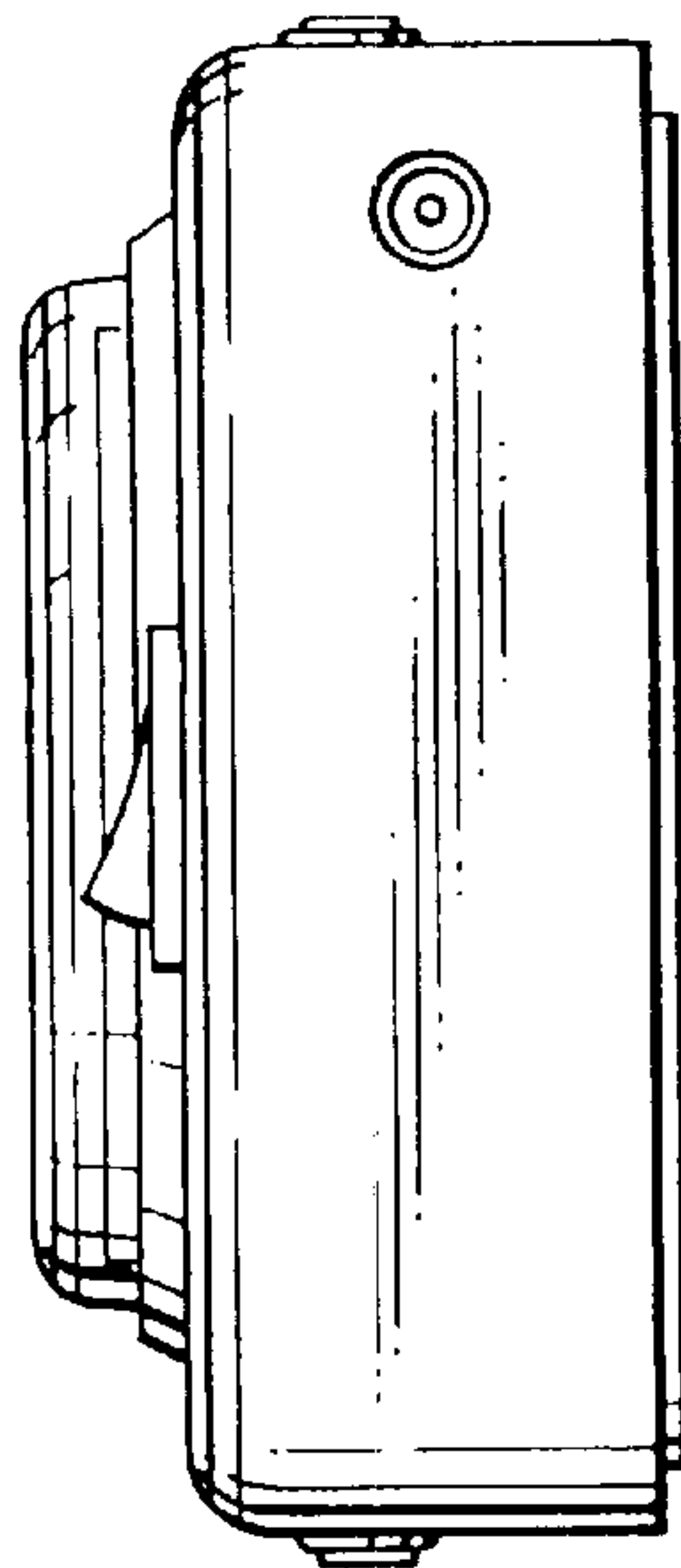


Fig. 2.

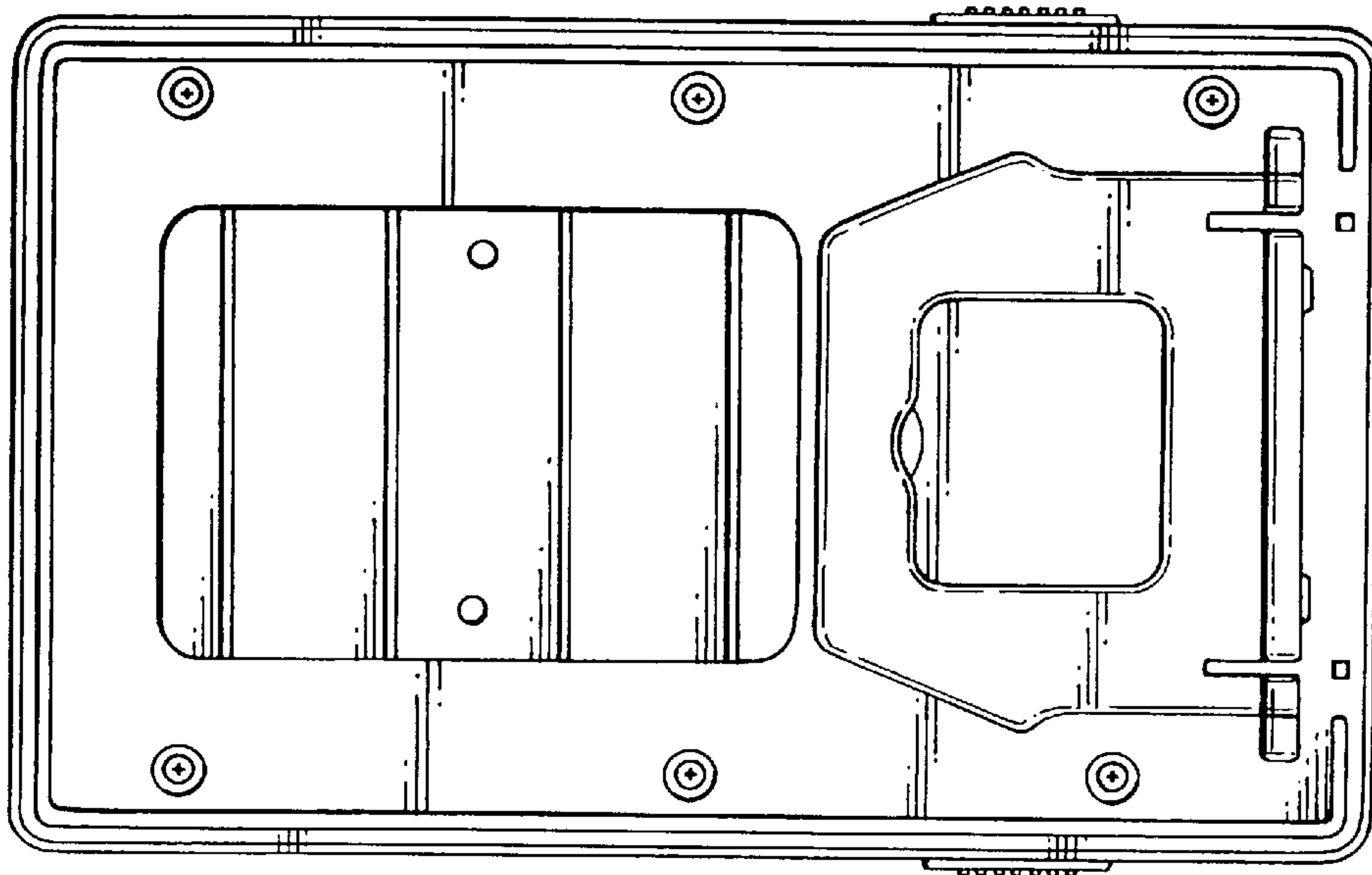


Fig.3.

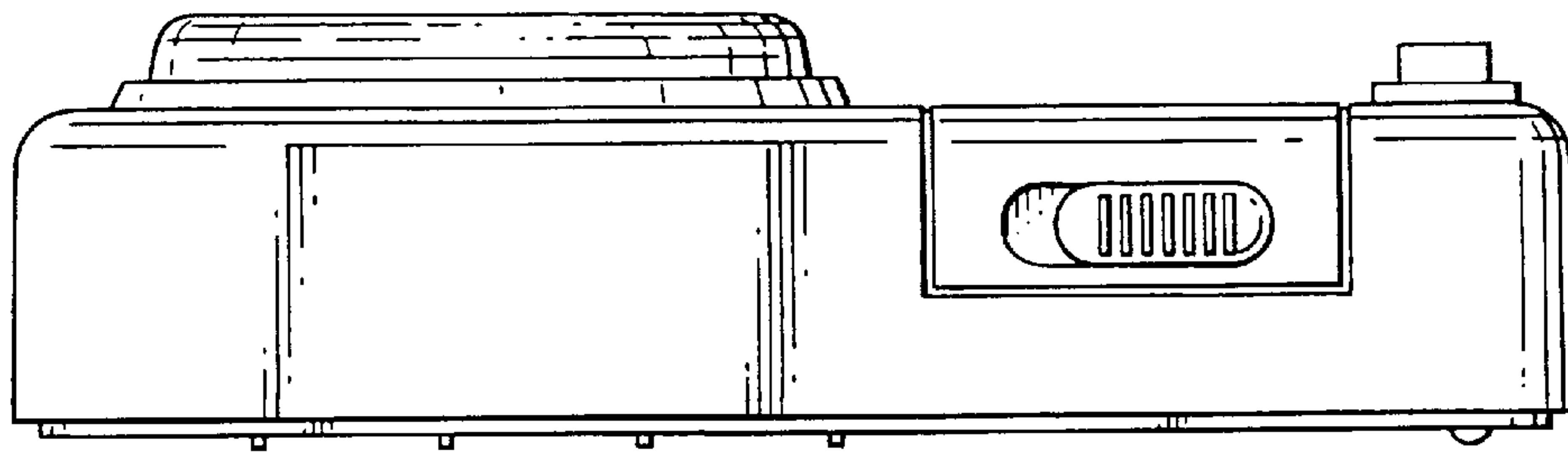


Fig.4.

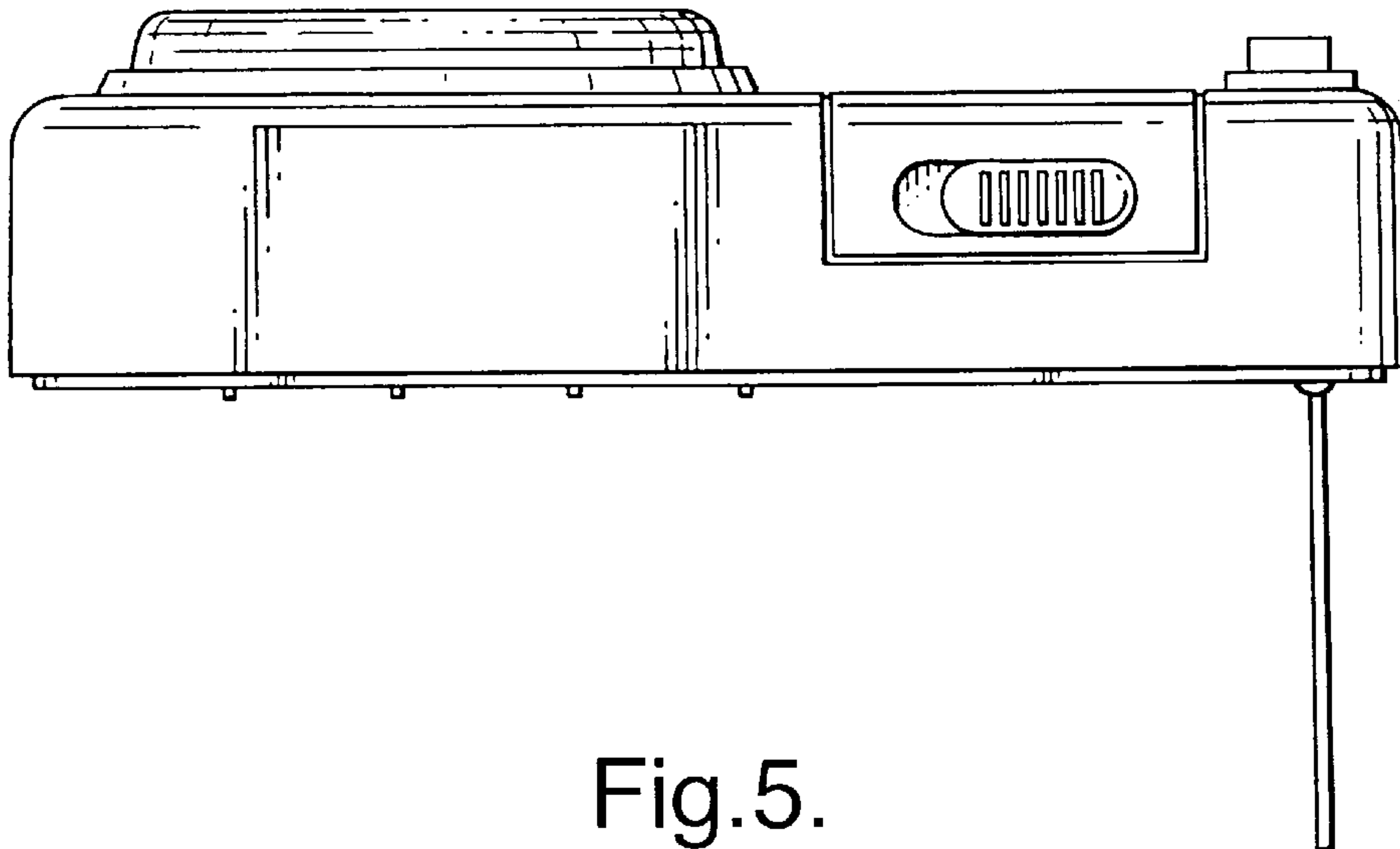


Fig.5.

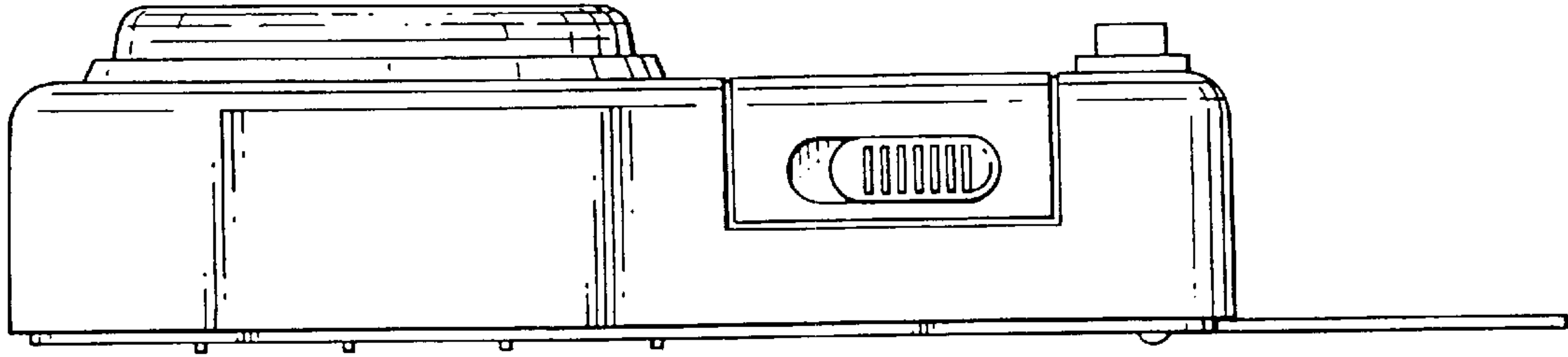


Fig. 6.

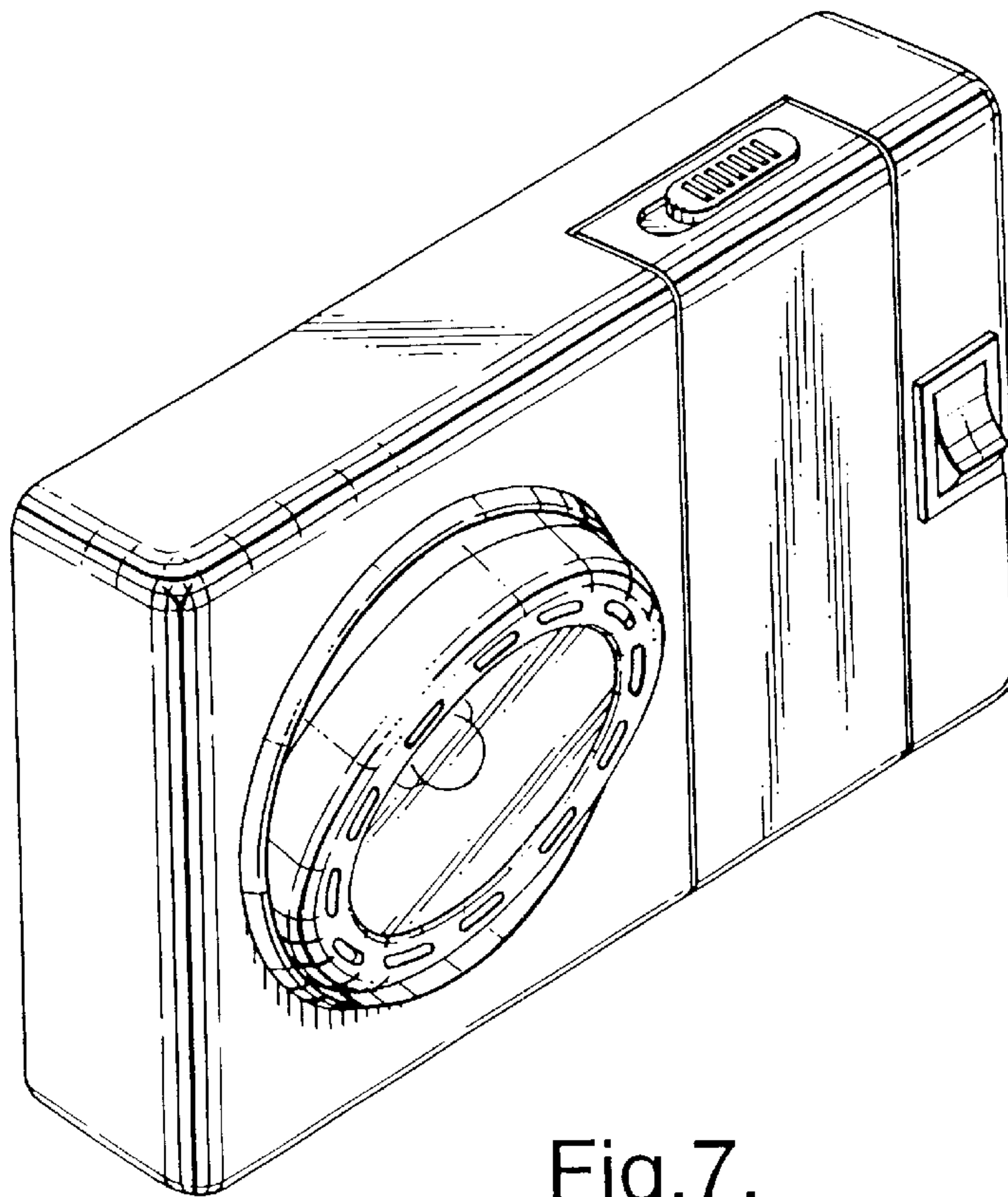


Fig. 7.



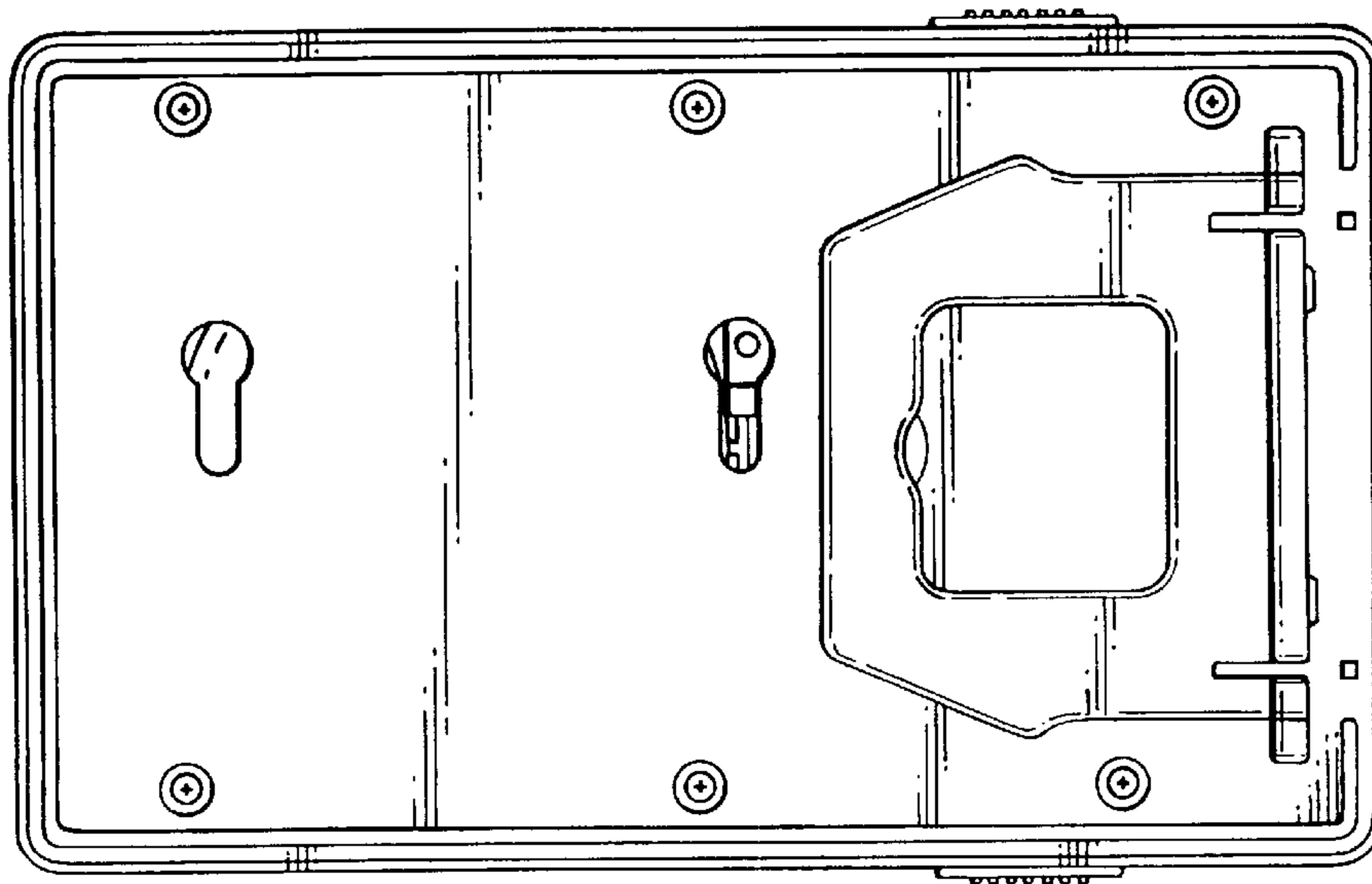


Fig. 8.

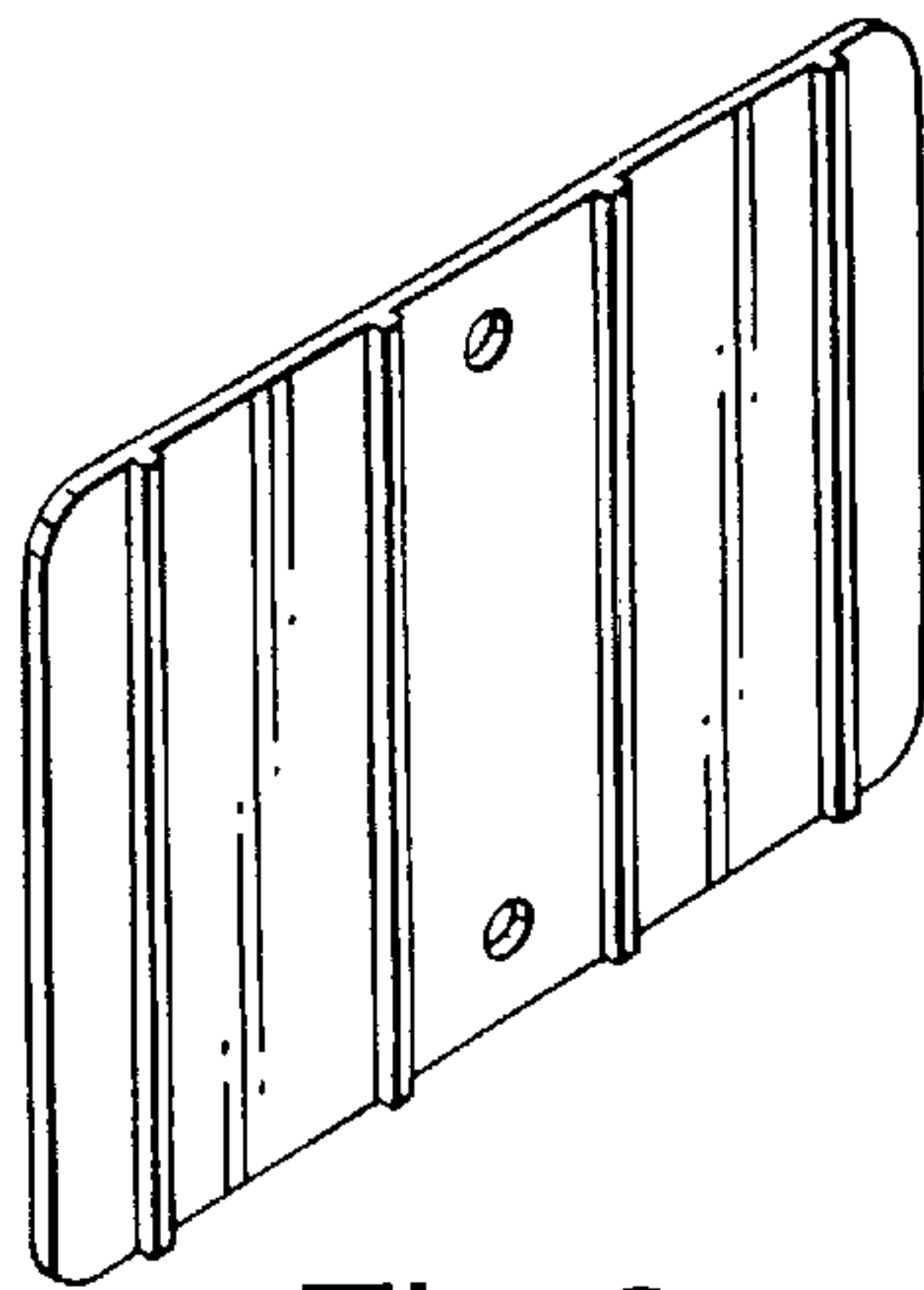


Fig. 9.

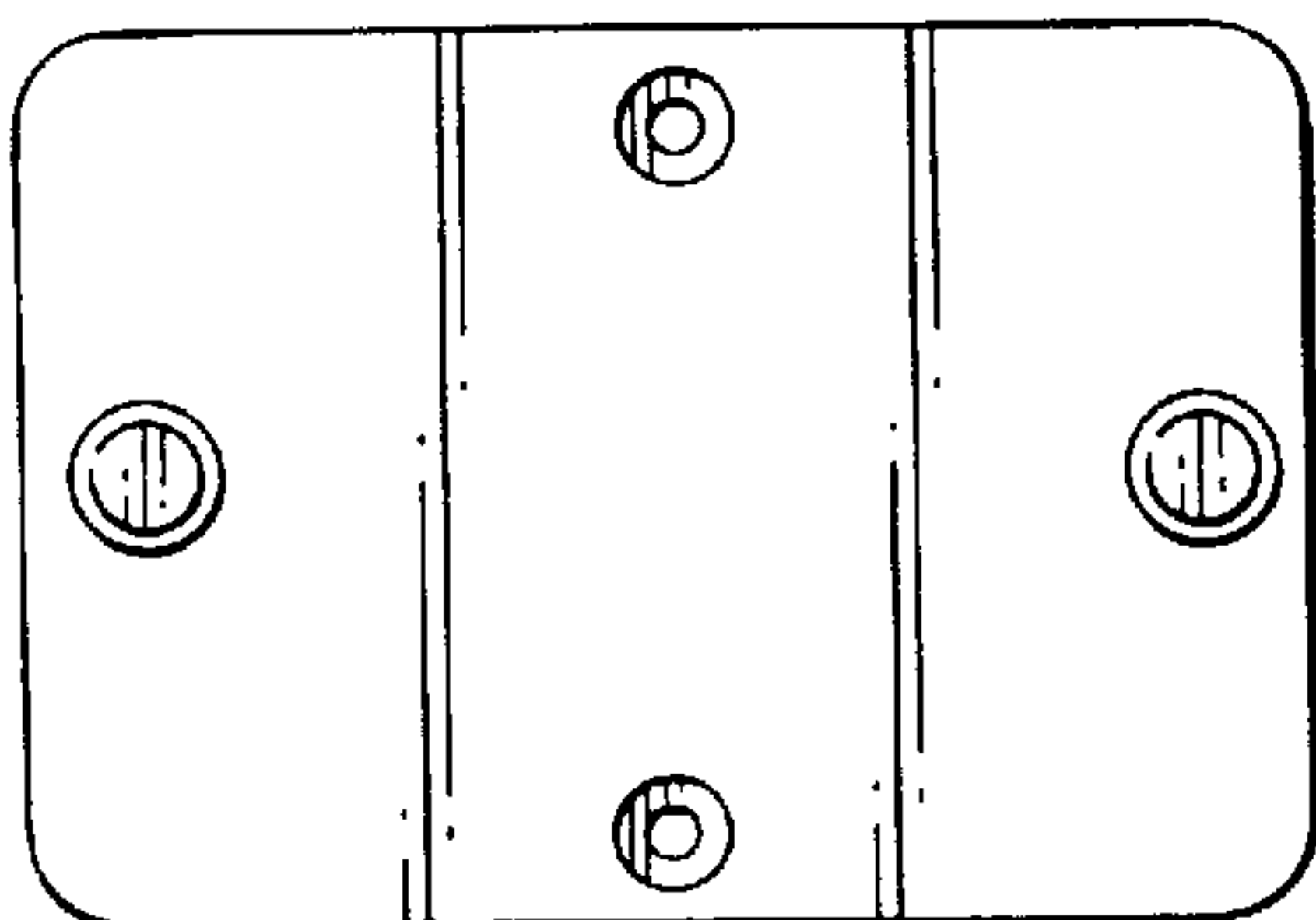


Fig. 10.

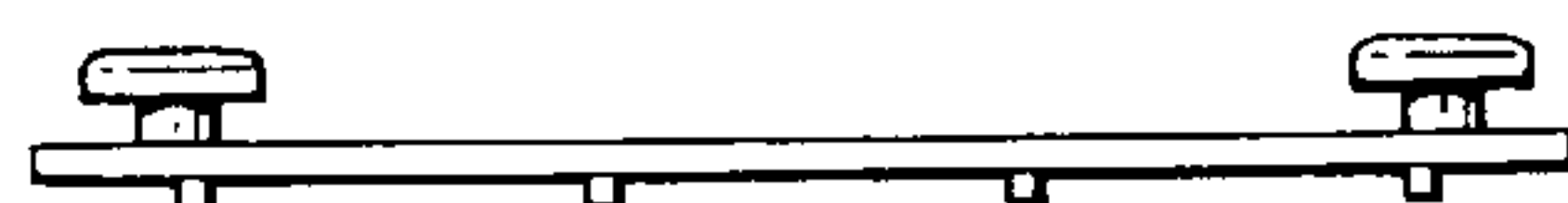


Fig. 11.