



US00D469910S

(12) **United States Design Patent**
St-Pierre

(10) **Patent No.:** **US D469,910 S**

(45) **Date of Patent:** **** Feb. 4, 2003**

(54) **LIGHTING FIXTURE**

(75) **Inventor:** **Guy St-Pierre**, 1780 Rio, Brossard,
Montreal, Québec (CA), J4X 2R4

(73) **Assignee:** **Guy St-Pierre**, Brossard (CA)

(**) **Term:** **14 Years**

(21) **Appl. No.:** **29/139,370**

(22) **Filed:** **Mar. 30, 2001**

(51) **LOC (7) Cl.** **26-03**

(52) **U.S. Cl.** **D26/85**

(58) **Field of Search** D26/72-92; 362/214,
362/432, 362, 311, 297

(56) **References Cited**

U.S. PATENT DOCUMENTS

D286,206 S * 10/1986 Joosten et al. D26/85
D323,906 S * 2/1992 Miranda et al. D26/85

* cited by examiner

Primary Examiner—Alan P. Douglas

Assistant Examiner—Clare E. Heflin

(74) *Attorney, Agent, or Firm*—Robert Brouillette; Ronald
S. Kosie; Gaétan Prince

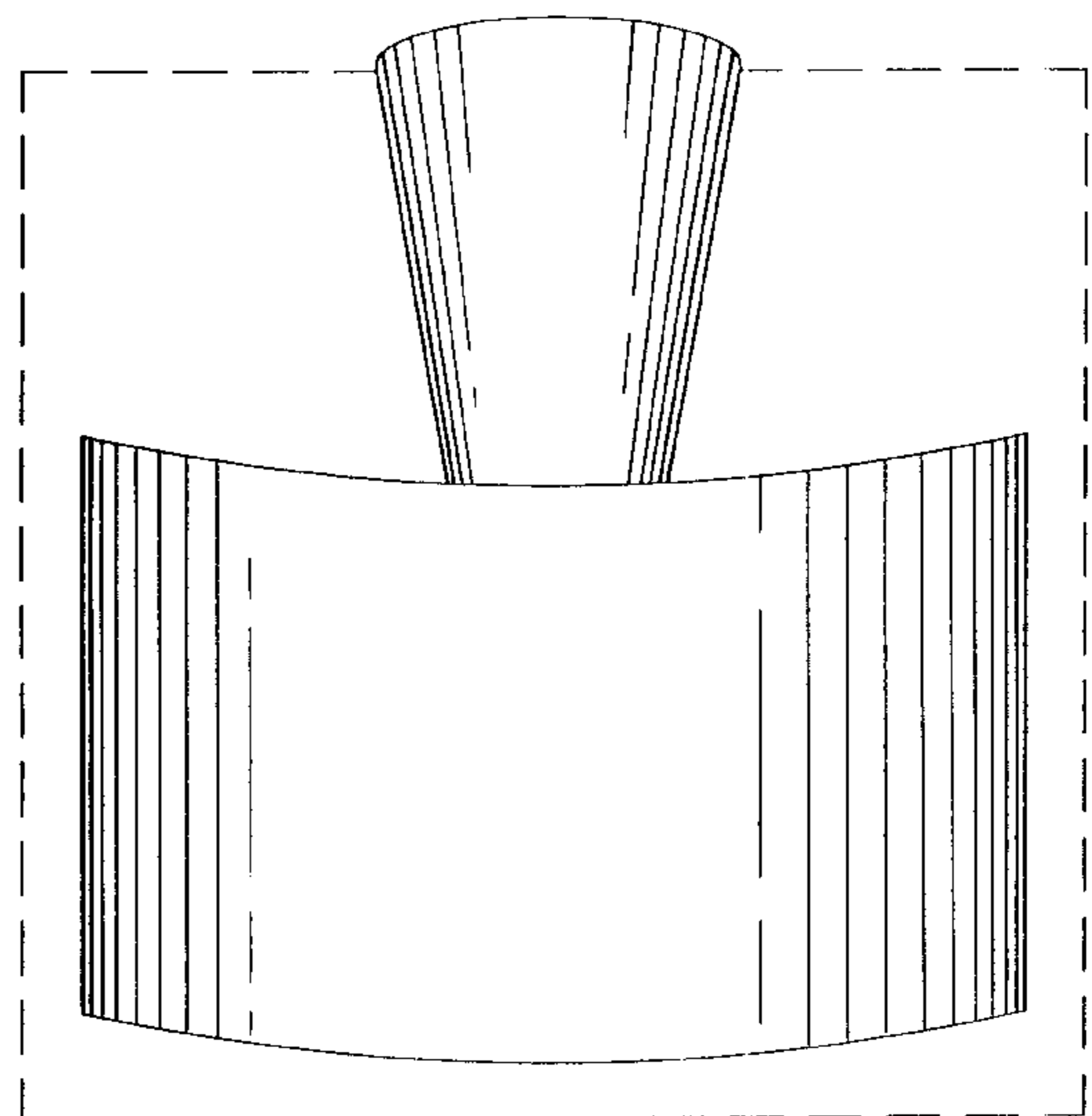
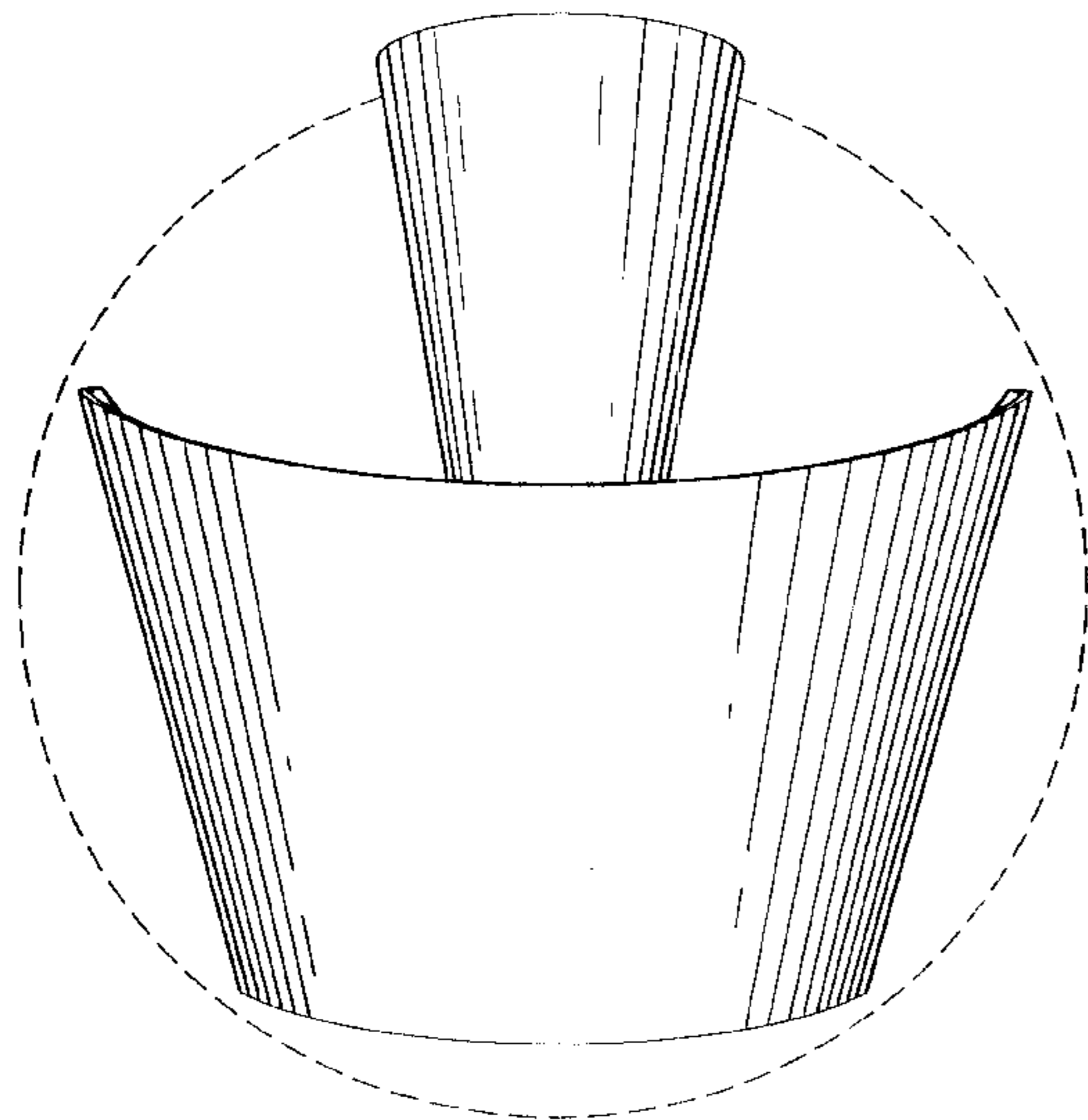
(57) **CLAIM**

The ornamental design for a lighting fixture, as shown and described.

DESCRIPTION

FIG. 1 is a front perspective view of the lighting fixture;
FIG. 2 is a front elevation view of the lighting fixture;
FIG. 3 is a left side elevation view of the lighting fixture;
FIG. 4 is a right side elevation view of the lighting fixture;
FIG. 5 is a top plan view of the lighting fixture;
FIG. 6 is a bottom plan view of the lighting fixture;
FIG. 7 is a front perspective view of a variant of the lighting
fixture of FIG. 1;
FIG. 8 is a front elevation view of the lighting fixture of FIG.
7;
FIG. 9 is a left side elevation view of the lighting fixture of
FIG. 7;
FIG. 10 is a right side elevation view of the lighting fixture
of FIG. 7;
FIG. 11 is a top plan view of the lighting fixture of FIG. 7;
and,
FIG. 12 is a bottom plan view of the lighting fixture of FIG.
7.
The broken line illustration of the base structure and light
source in the drawings are not part of the design sought to
be patented.

1 Claim, 4 Drawing Sheets



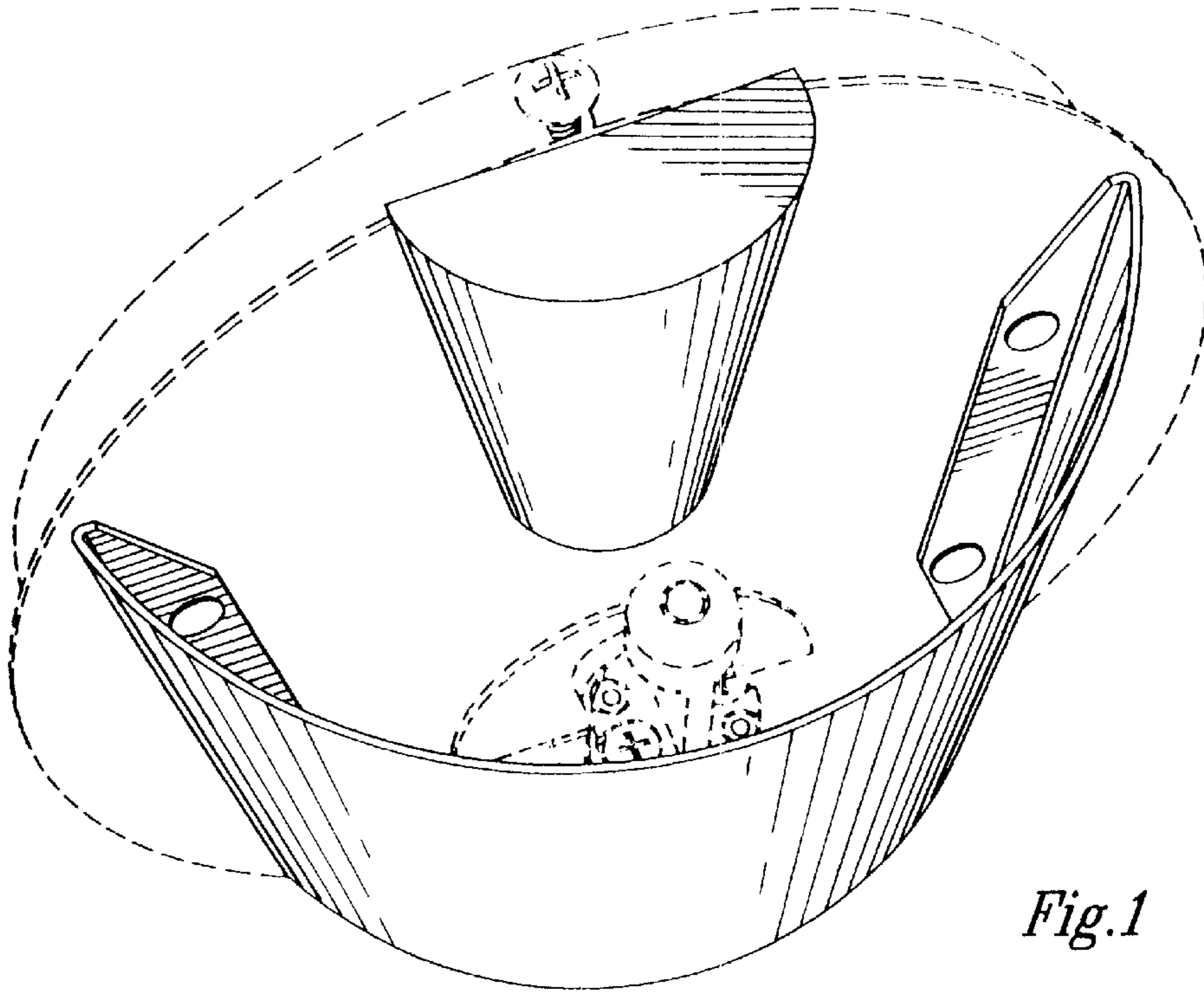


Fig. 1

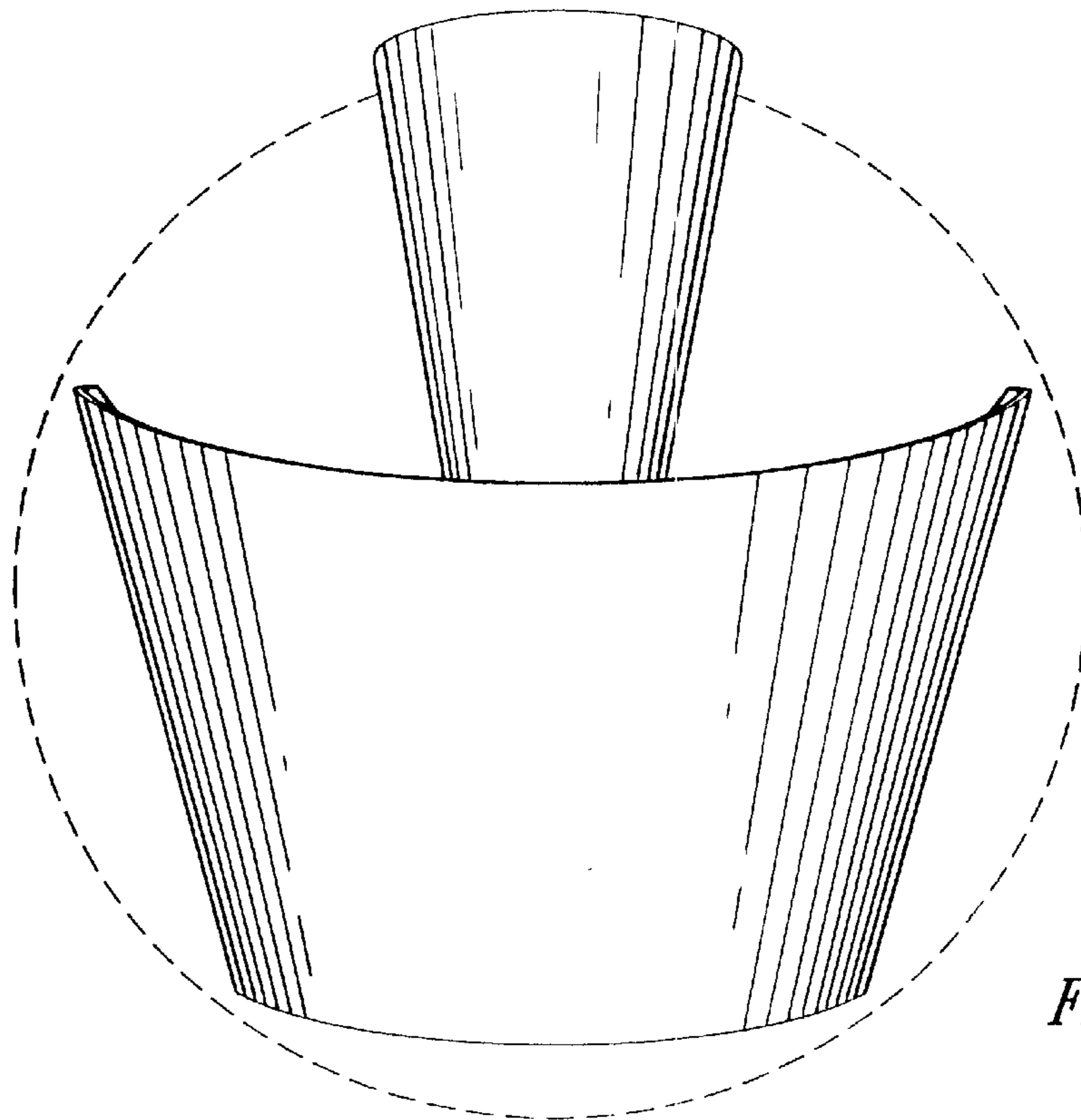


Fig. 2

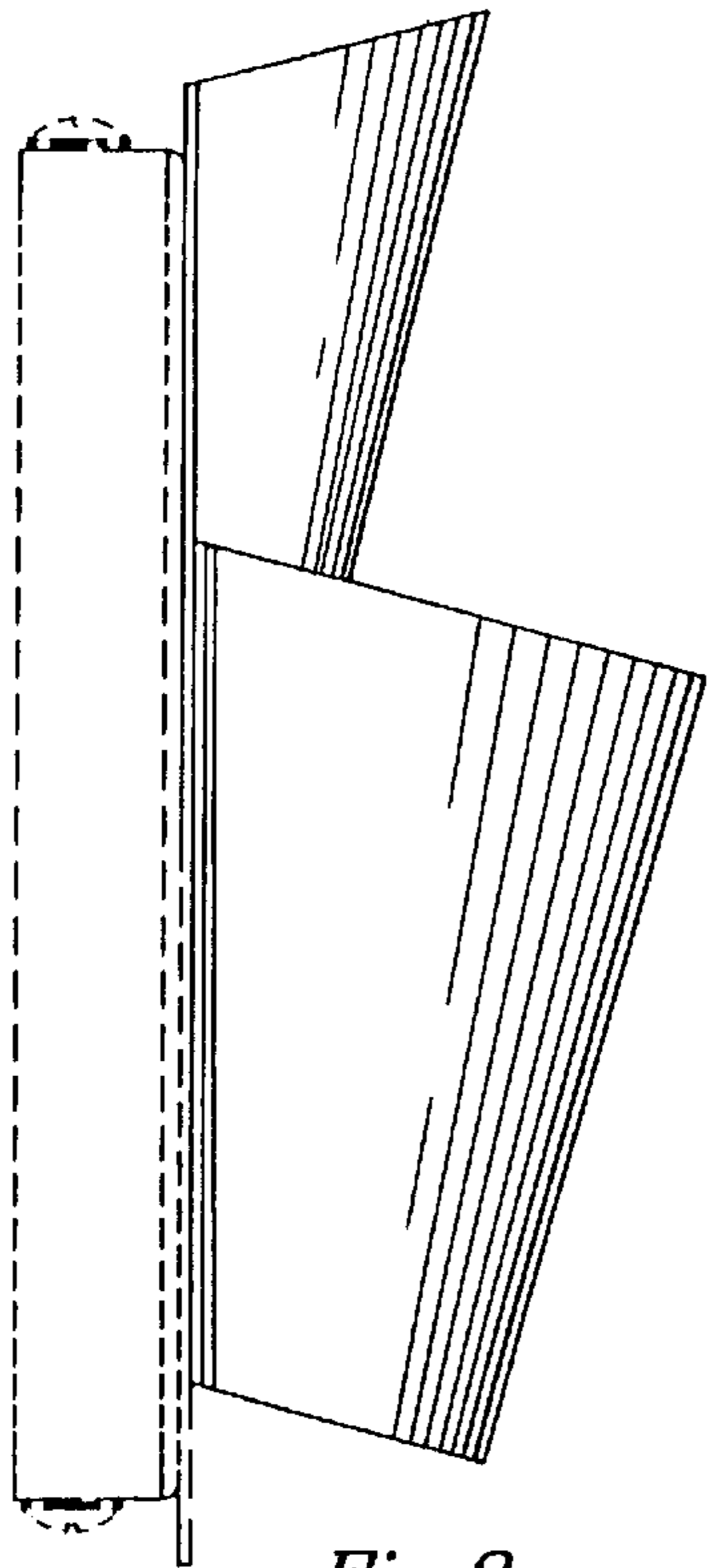


Fig. 3

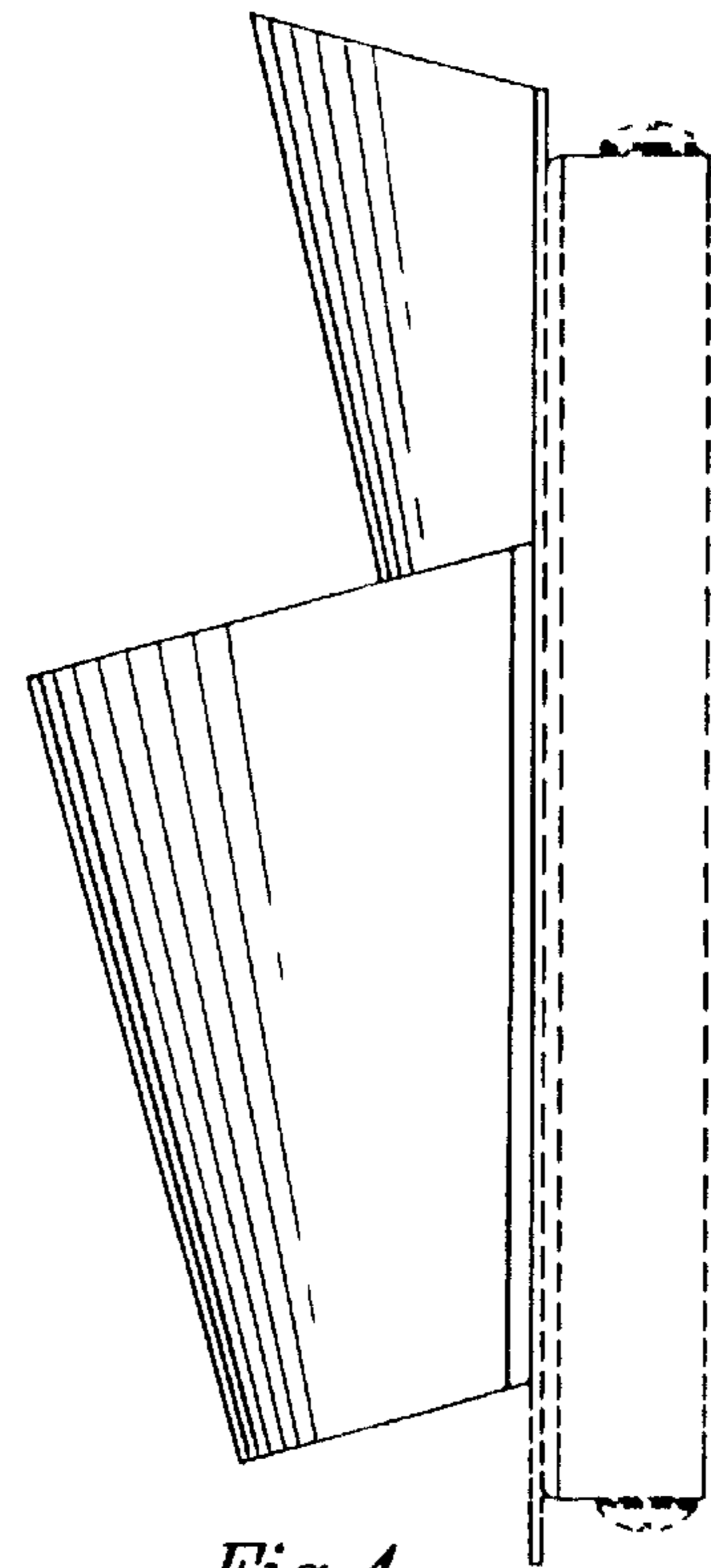


Fig. 4

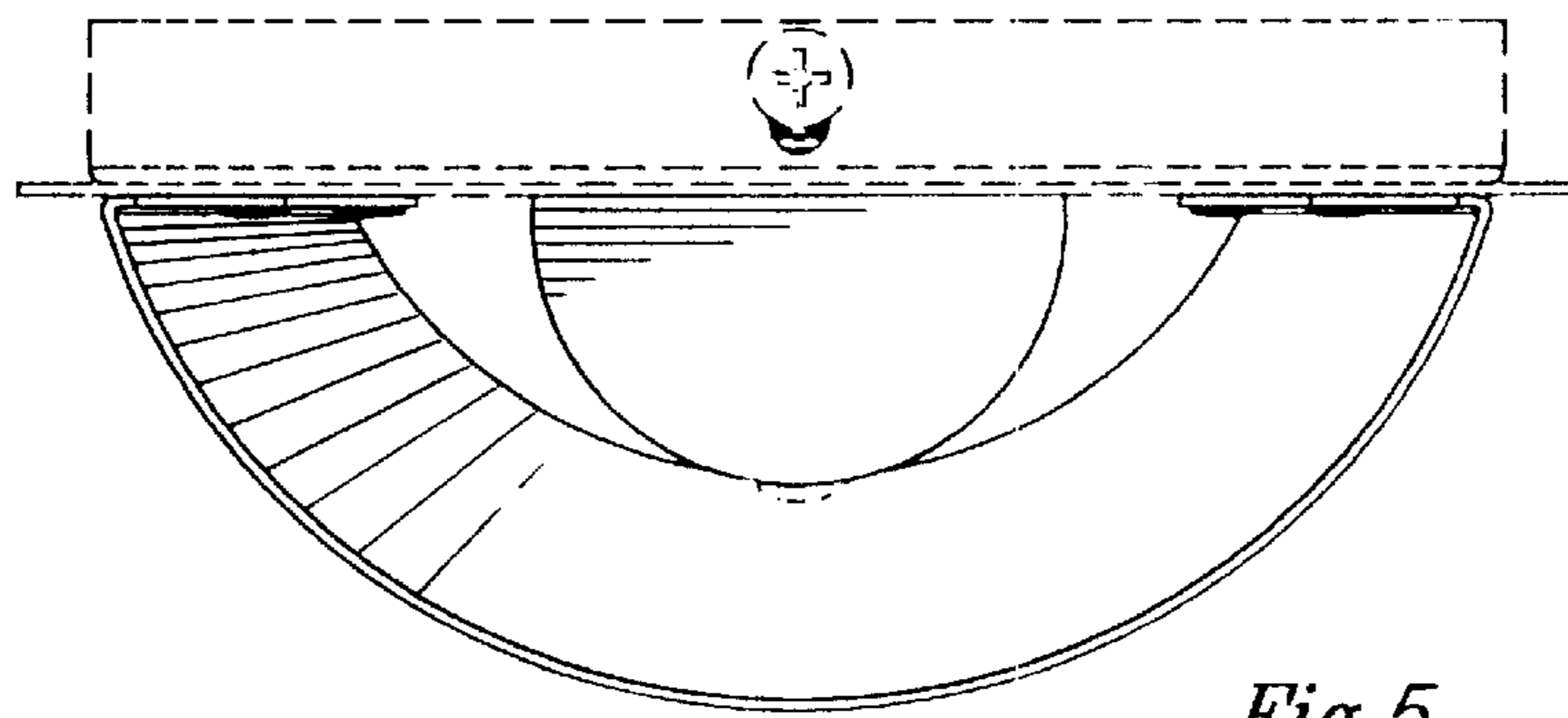


Fig. 5

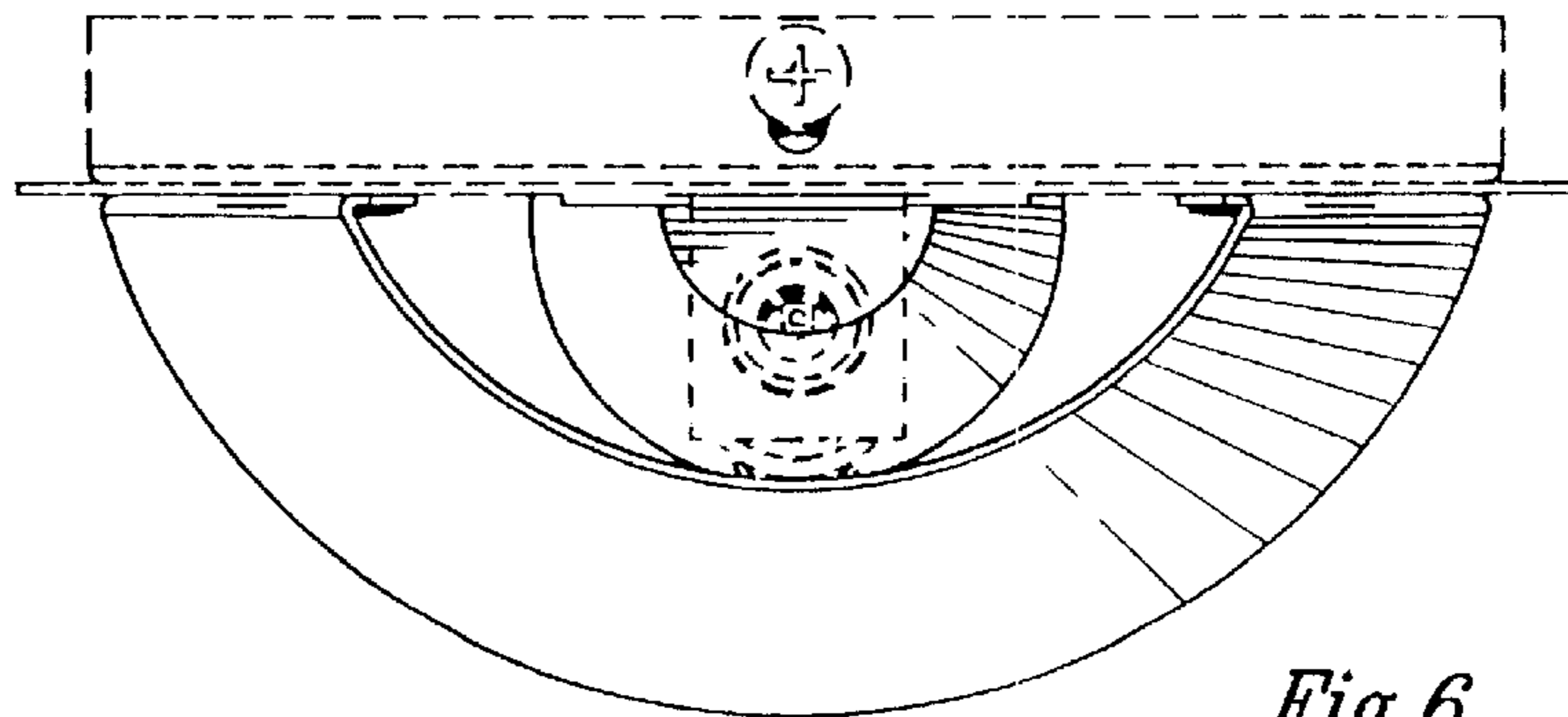


Fig. 6

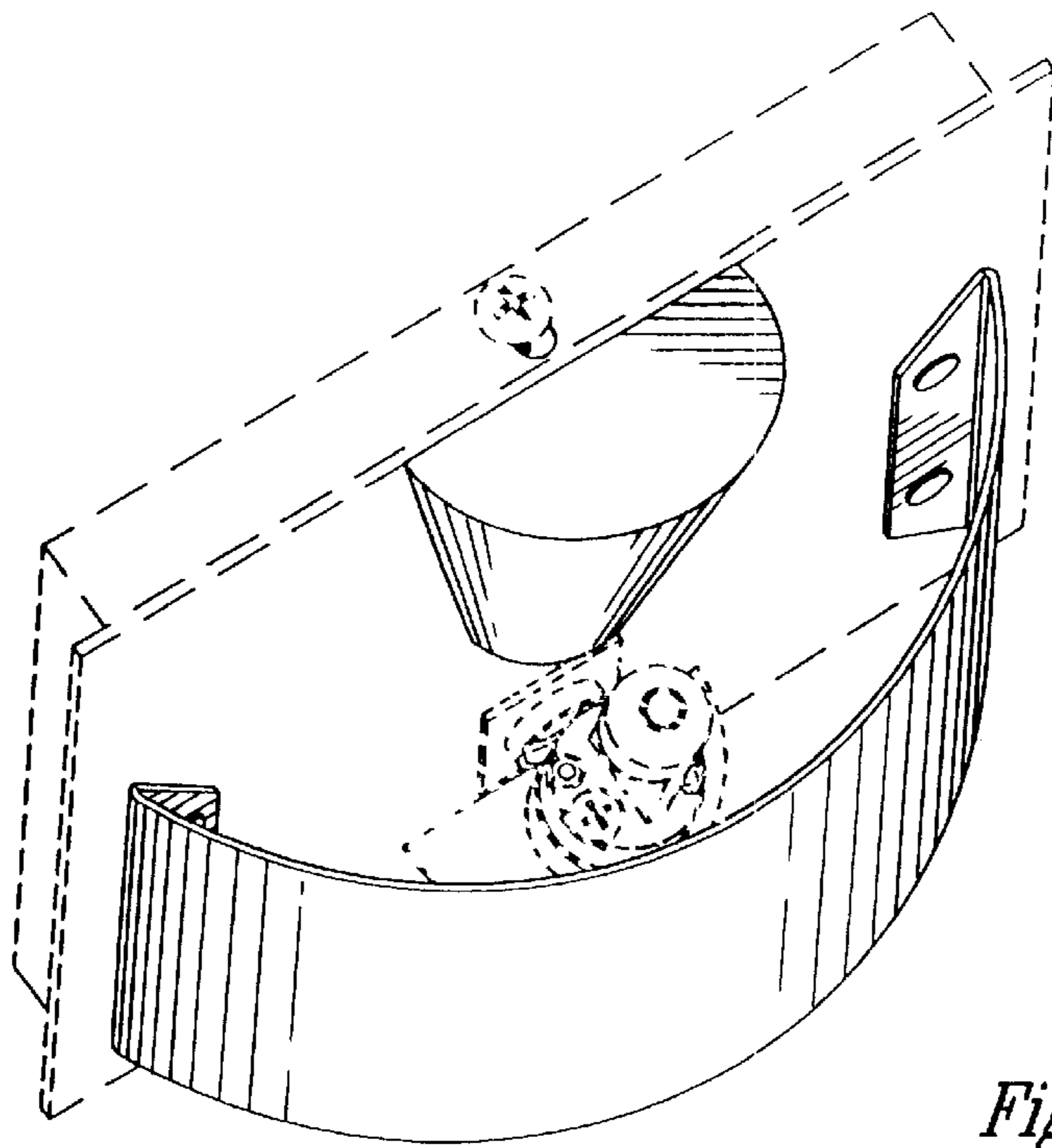


Fig. 7

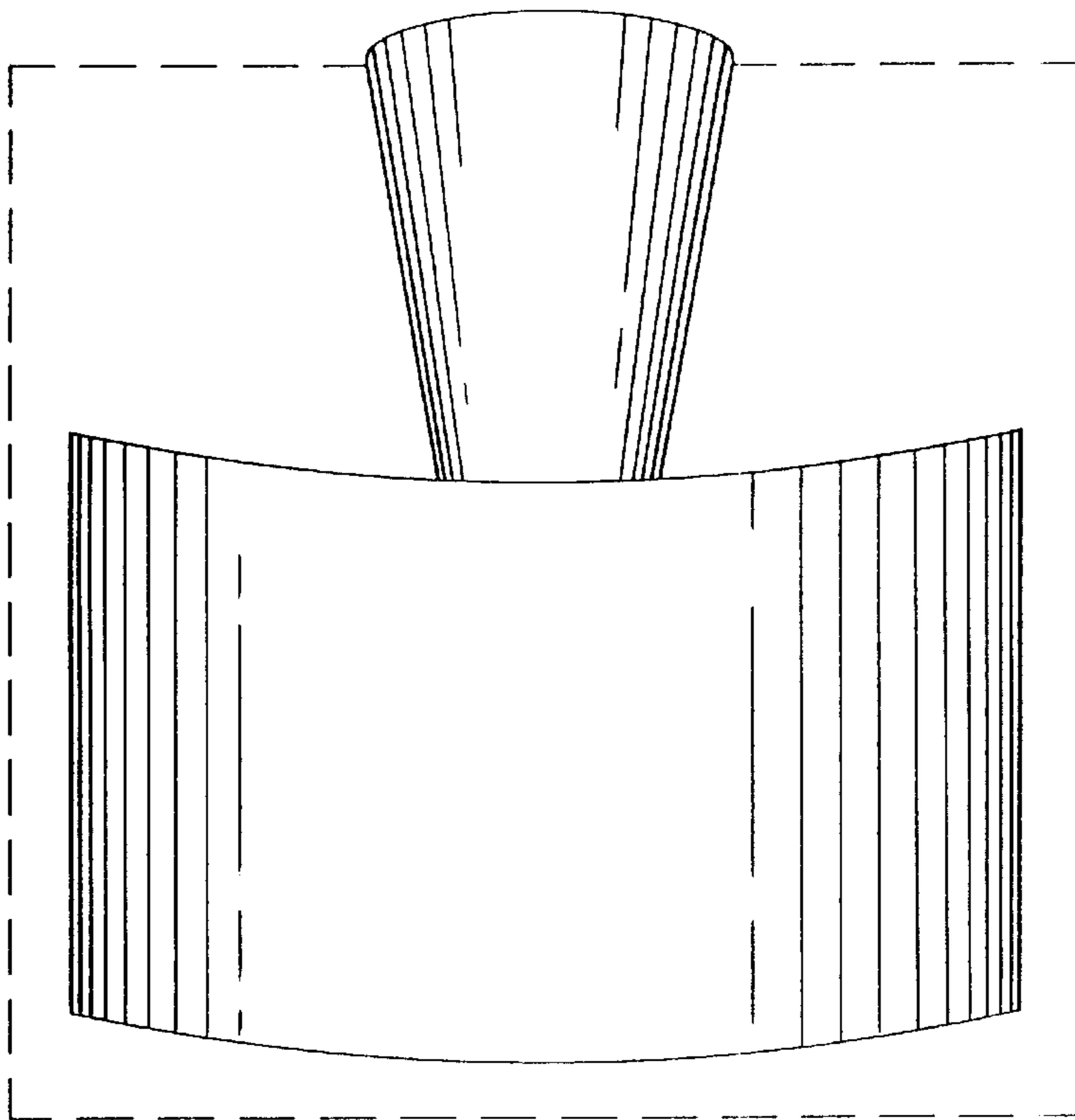


Fig. 8

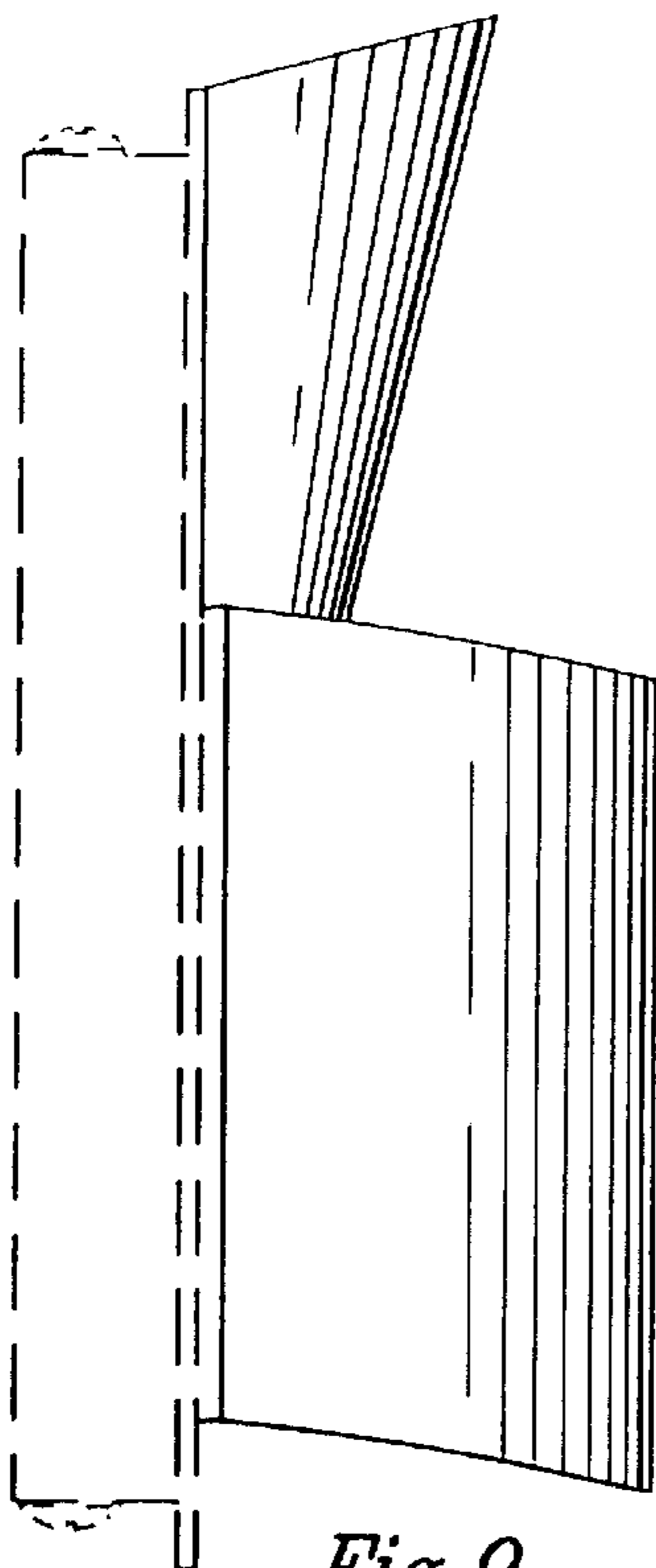


Fig. 9

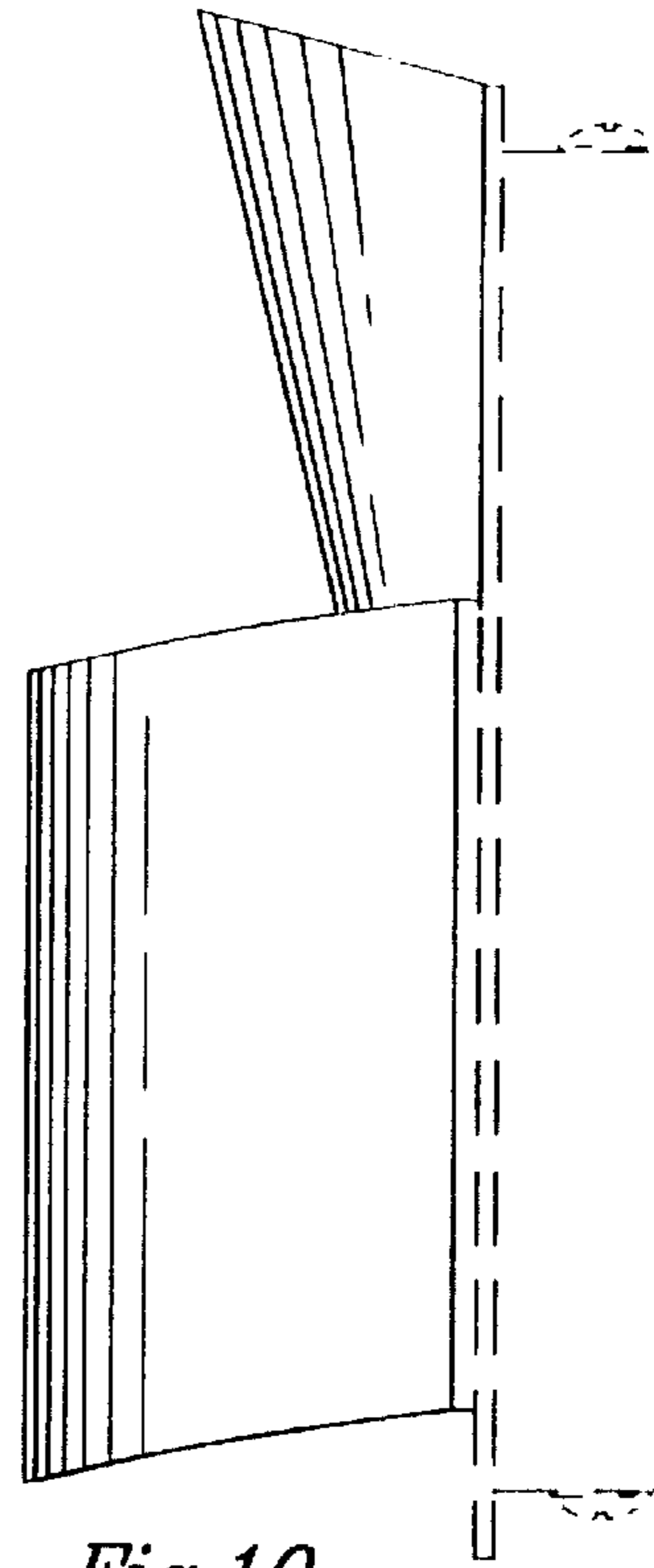


Fig. 10

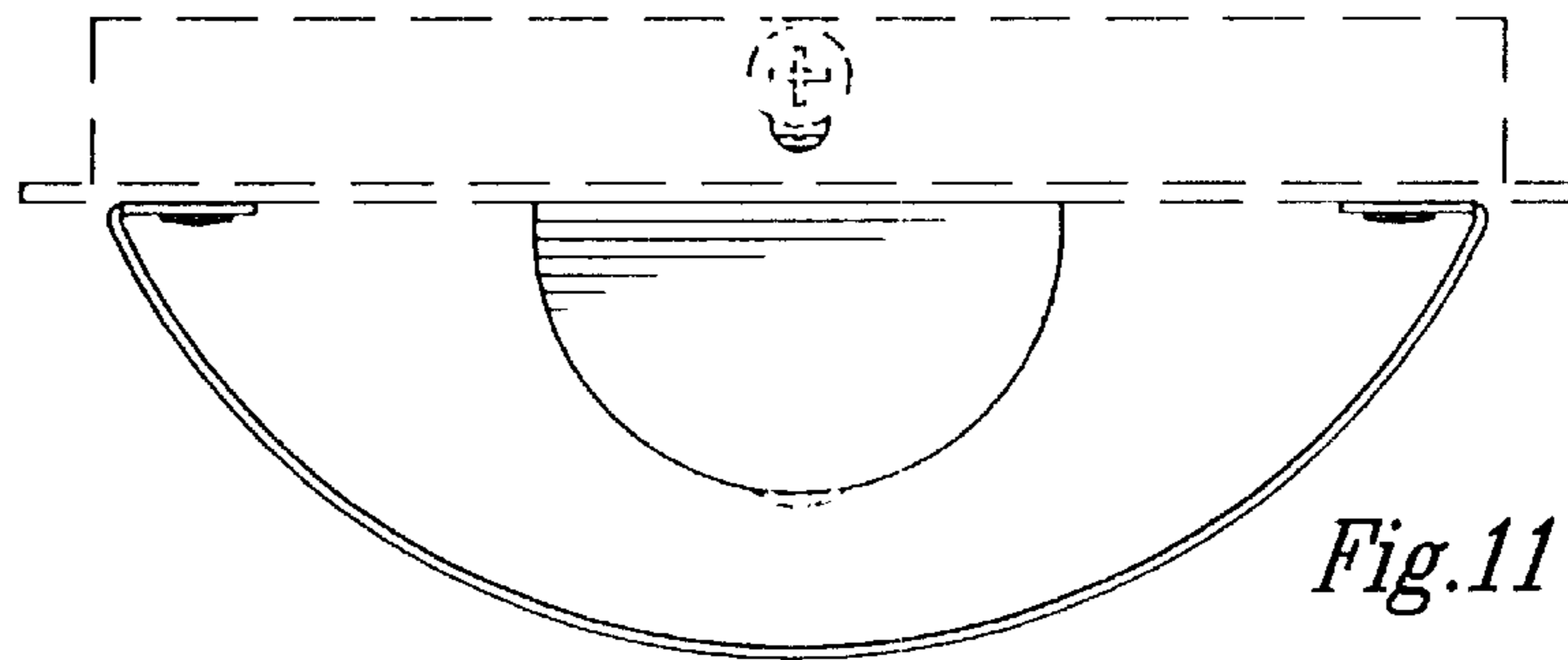


Fig. 11

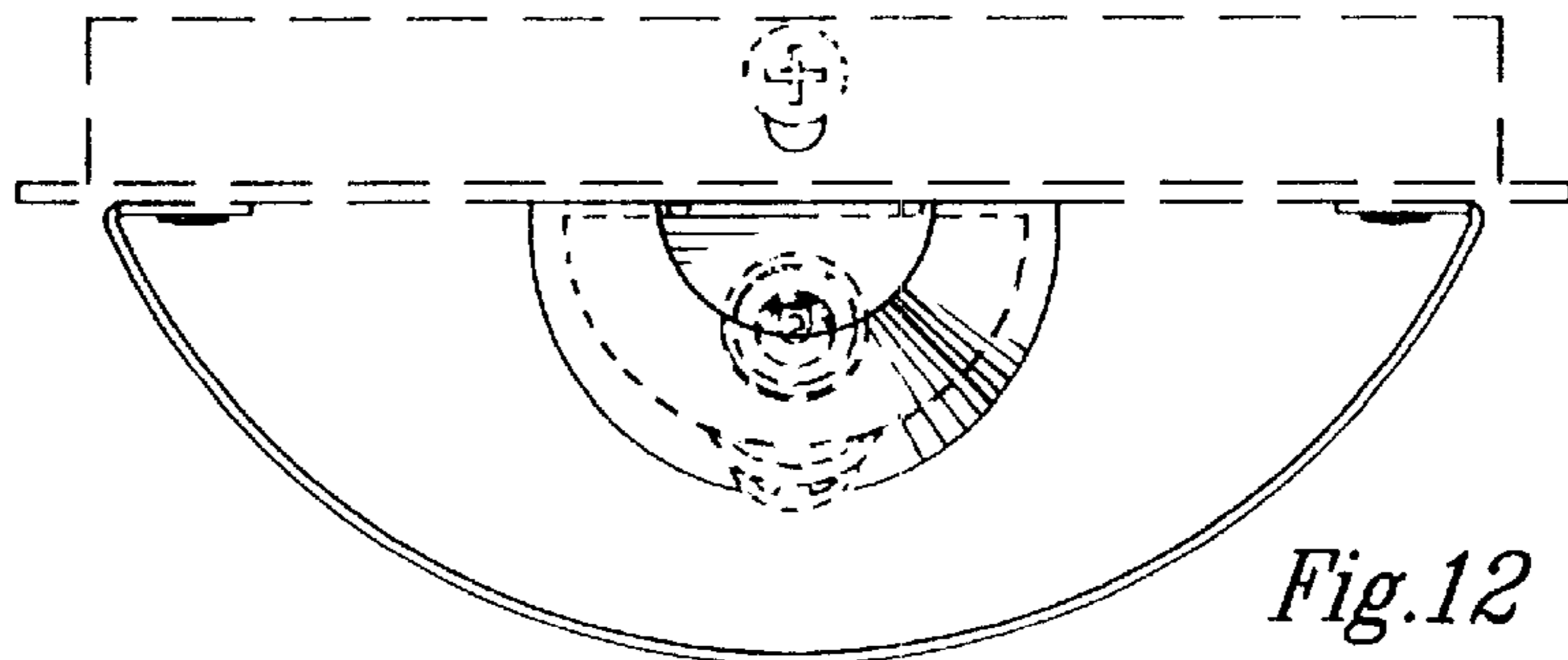


Fig. 12