



US00D469909S

(12) **United States Design Patent**
Chen

(10) **Patent No.:** **US D469,909 S**

(45) **Date of Patent:** **** Feb. 4, 2003**

(54) **SOLAR LIGHT**

D395,724 S * 6/1998 Compton D26/67

(75) Inventor: **Chi-Gon Chen**, Guang Zhou (CN)

* cited by examiner

(73) Assignee: **International Development Corporation**, Southlake, TX (US)

Primary Examiner—Marcus A. Jackson
(74) *Attorney, Agent, or Firm*—Gardere Wynne Sewell LLP; Sanford E. Warren, Jr.; Kenneth T. Emanuelson

(**) Term: **14 Years**

(57) **CLAIM**

(21) Appl. No.: **29/157,299**

The ornamental design for a solar light, as shown and described.

(22) Filed: **Mar. 15, 2002**

(51) **LOC (7) Cl.** **26-05**

(52) **U.S. Cl.** **D26/67**

(58) **Field of Search** D26/72, 80-92;
362/147, 363, 367, 404, 431

DESCRIPTION

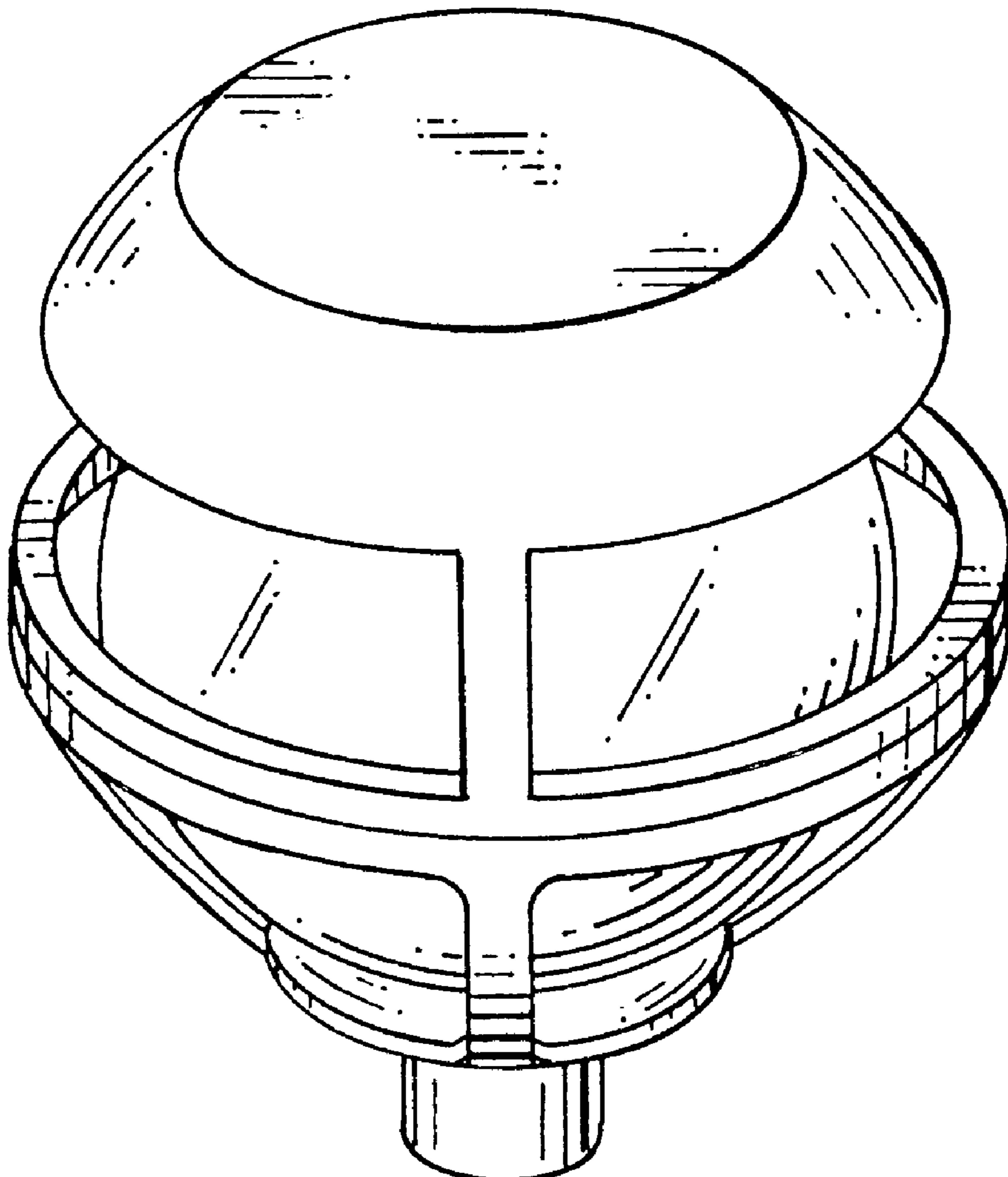
FIG. 1 is a perspective view showing my design;
FIG. 2 is a front elevation view of the solar light;
FIG. 3 is a rear elevation view of the solar light;
FIG. 4 is a right side elevation view of the solar light;
FIG. 5 is a left side elevation of the solar light;
FIG. 6 is a top plan view of the solar light; and,
FIG. 7 is a bottom plan view of the solar light.

(56) **References Cited**

U.S. PATENT DOCUMENTS

D361,400 S * 8/1995 Compton D26/85
D370,288 S * 5/1996 Jognu D26/67

1 Claim, 3 Drawing Sheets



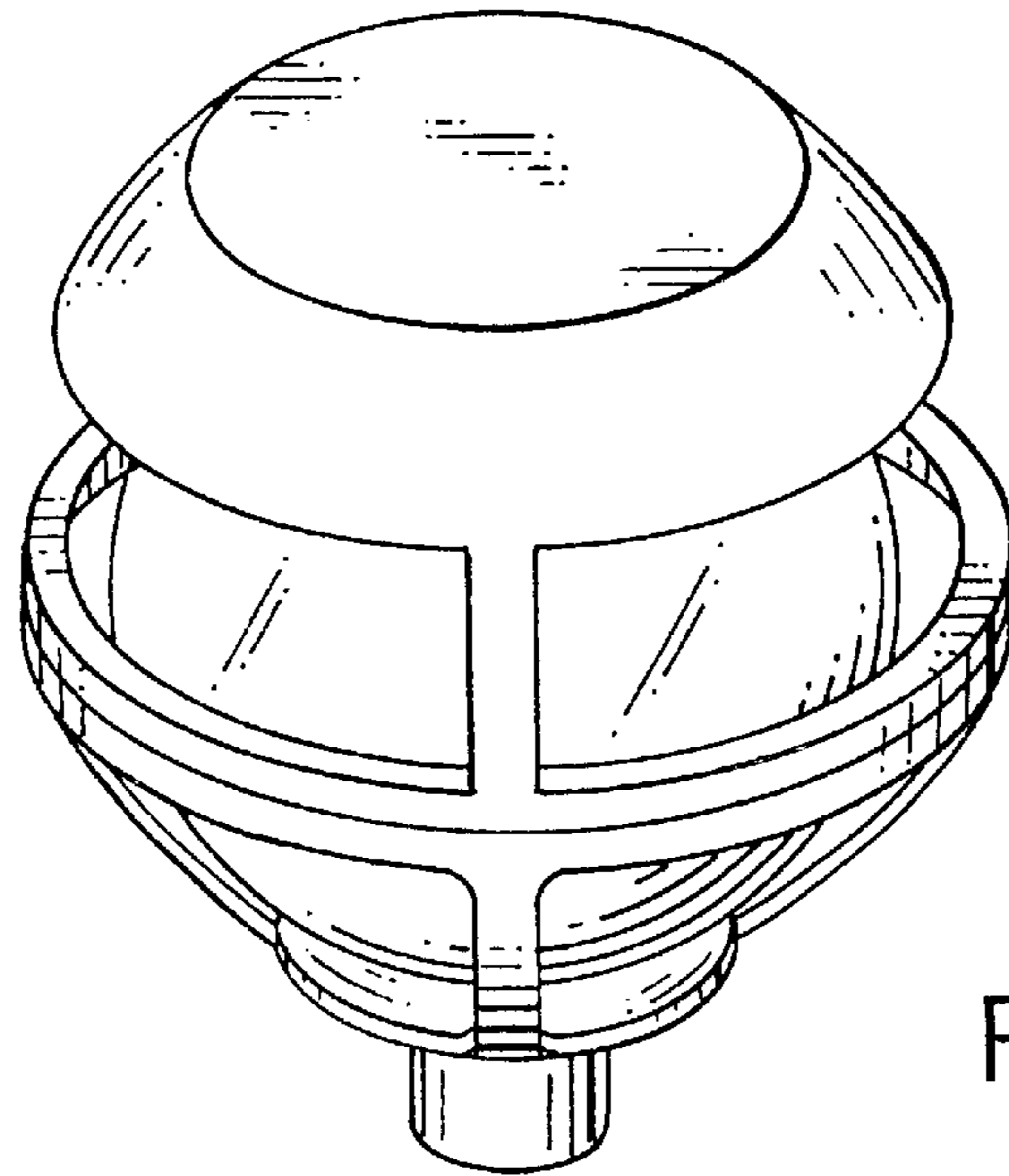


FIG. 1

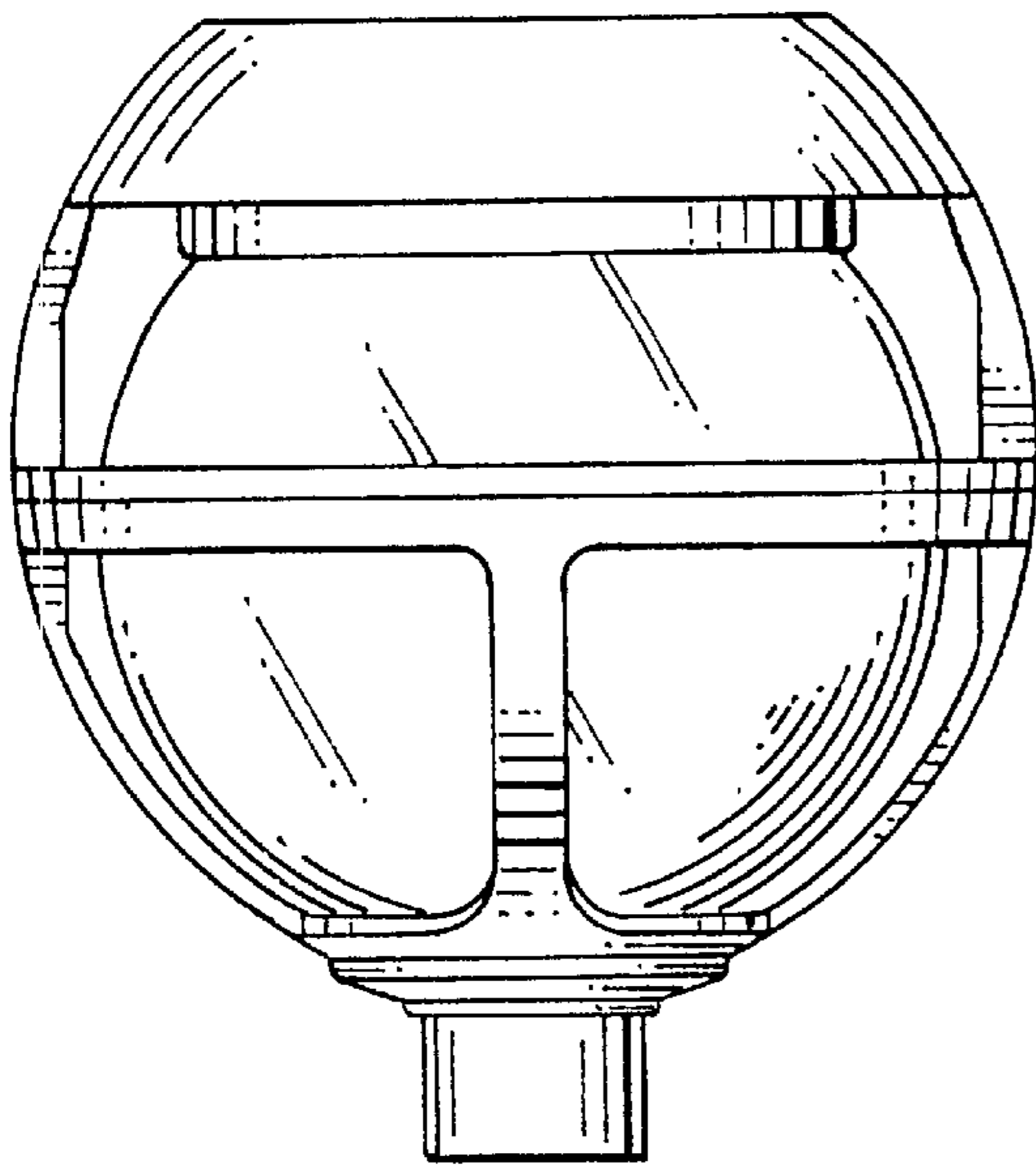


FIG. 2

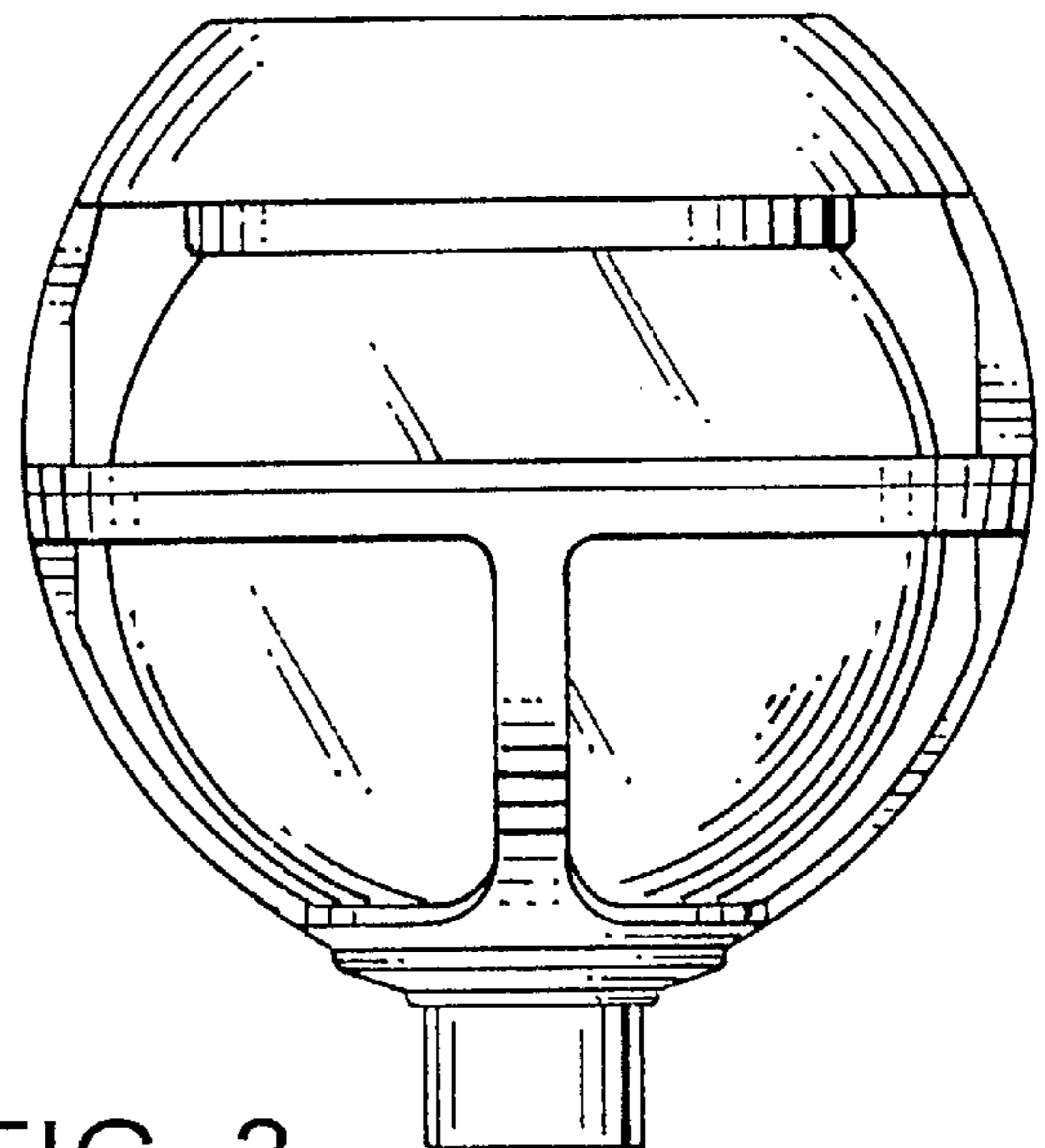


FIG. 3

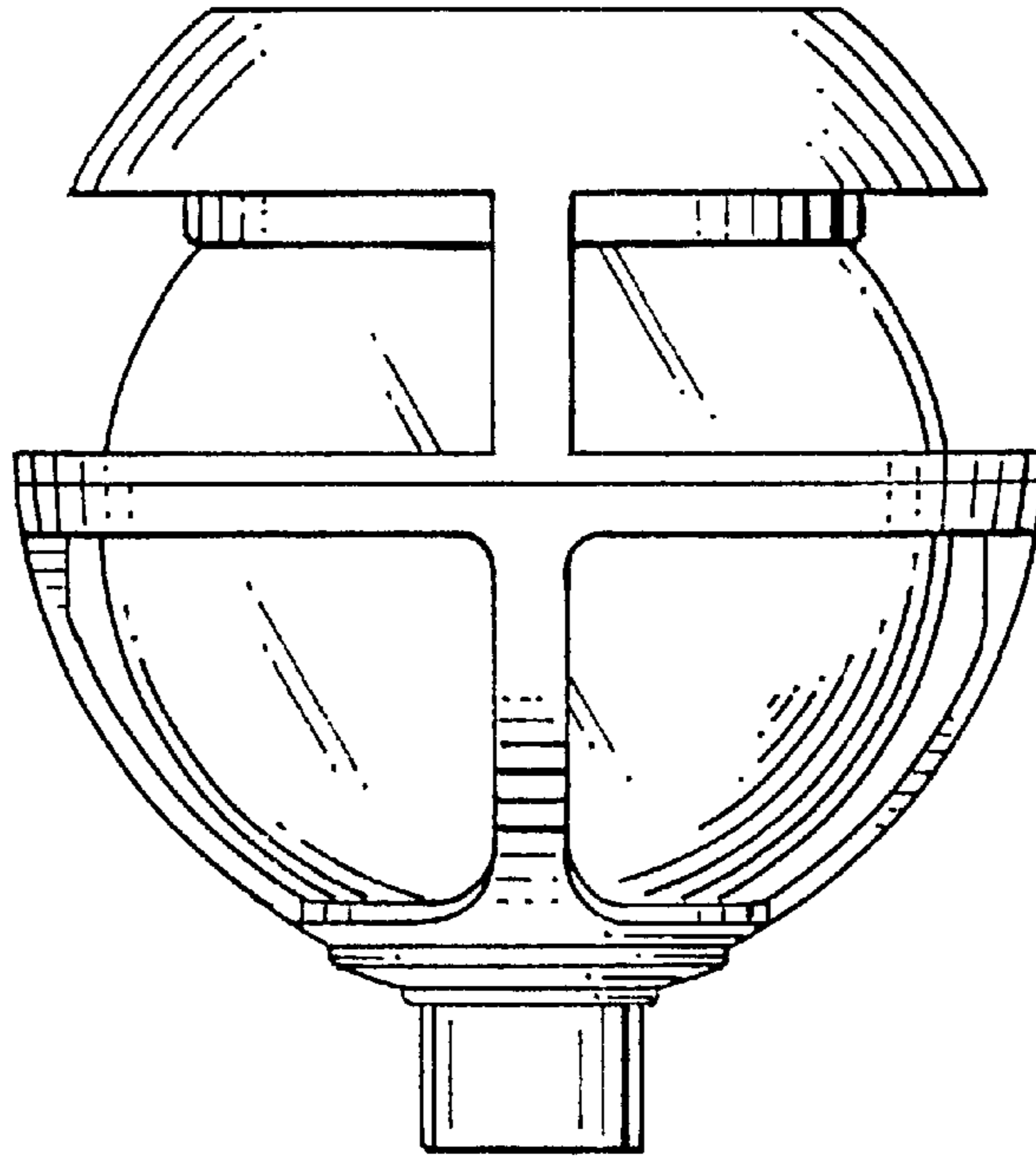


FIG. 4

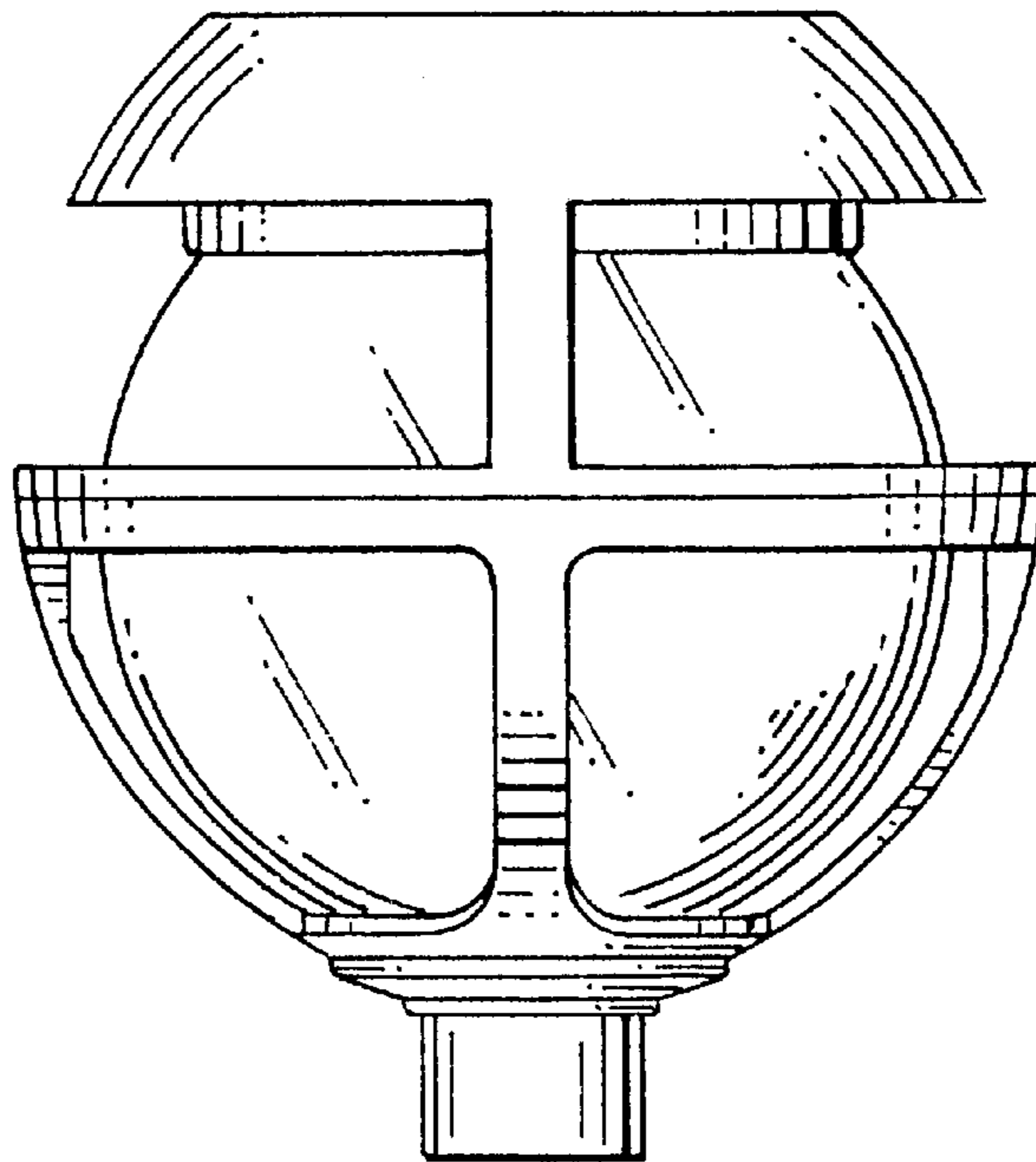


FIG. 5

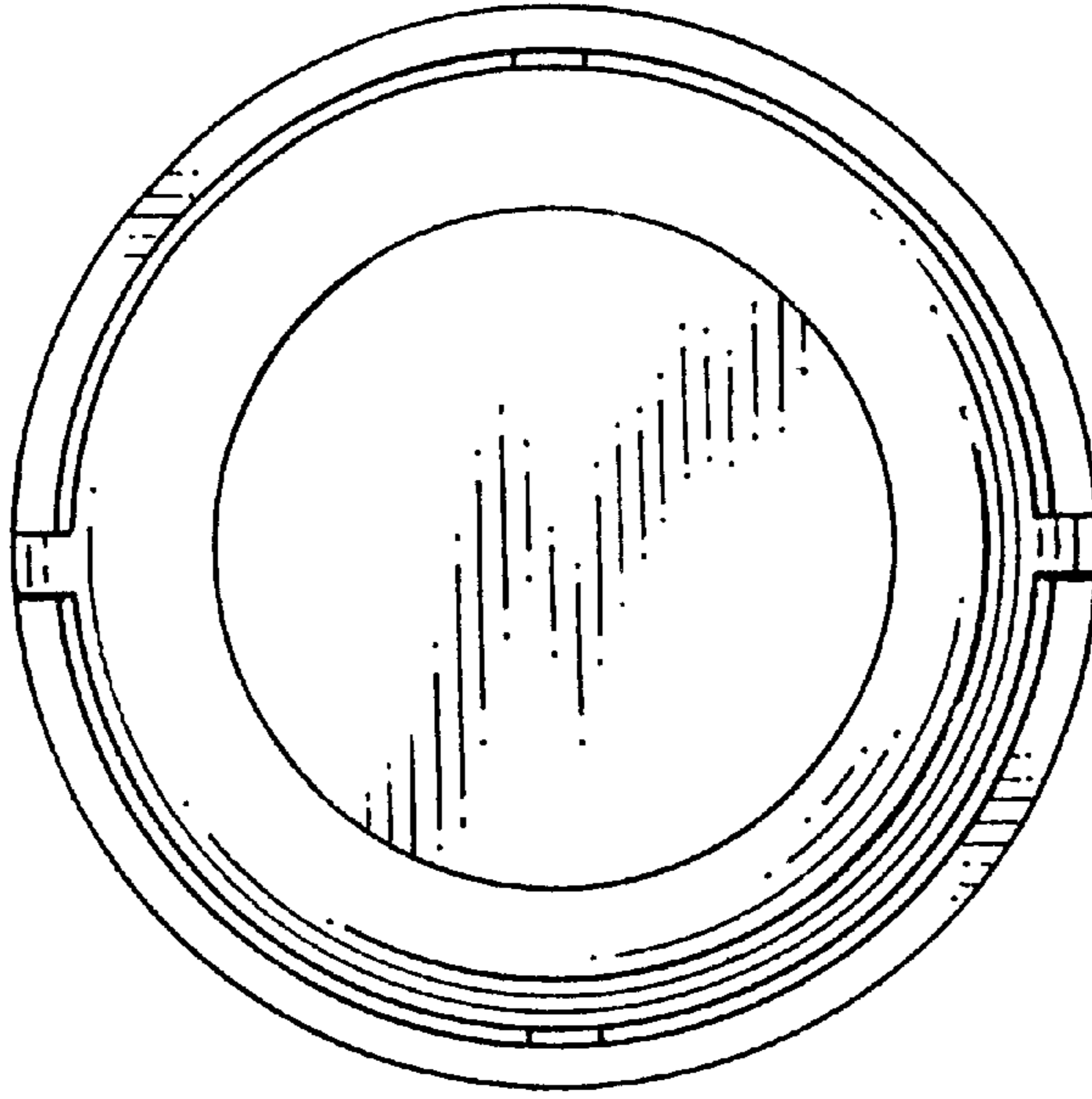


FIG. 6

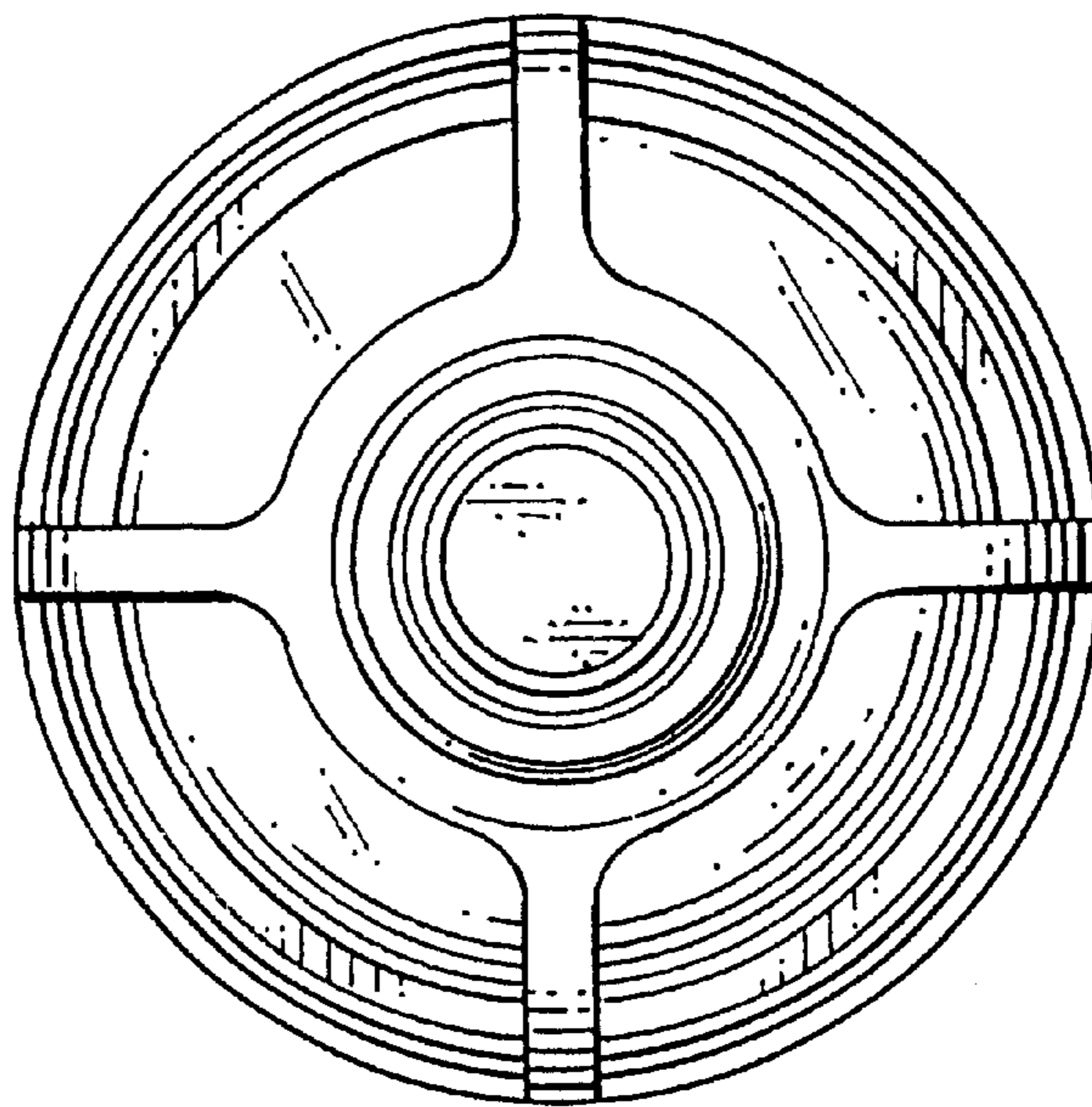


FIG. 7