



US00D469908S

(12) **United States Design Patent**
Chen

(10) **Patent No.:** **US D469,908 S**

(45) **Date of Patent:** **** Feb. 4, 2003**

(54) **SOLAR LIGHT**

D456,547 S * 4/2002 Leen D26/67

(75) Inventor: **Chi-Gon Chen**, Guang Zhou (CN)

* cited by examiner

(73) Assignee: **International Development Corporation**, Southlake, TX (US)

Primary Examiner—Marcus A Jackson
(74) *Attorney, Agent, or Firm*—Gardere Wynne Sewell LLP; Sanford E. Warren, Jr.; Kenneth T. Emanuelson

(**) Term: **14 Years**

(57) **CLAIM**

(21) Appl. No.: **29/150,316**

The ornamental design for a solar light, shown and described.

(22) Filed: **Nov. 20, 2001**

(51) **LOC (7) Cl.** **26-05**

(52) **U.S. Cl.** **D26/67**

(58) **Field of Search** D26/67-71; 362/147, 362/153, 153.1, 234, 410-414, 431

DESCRIPTION

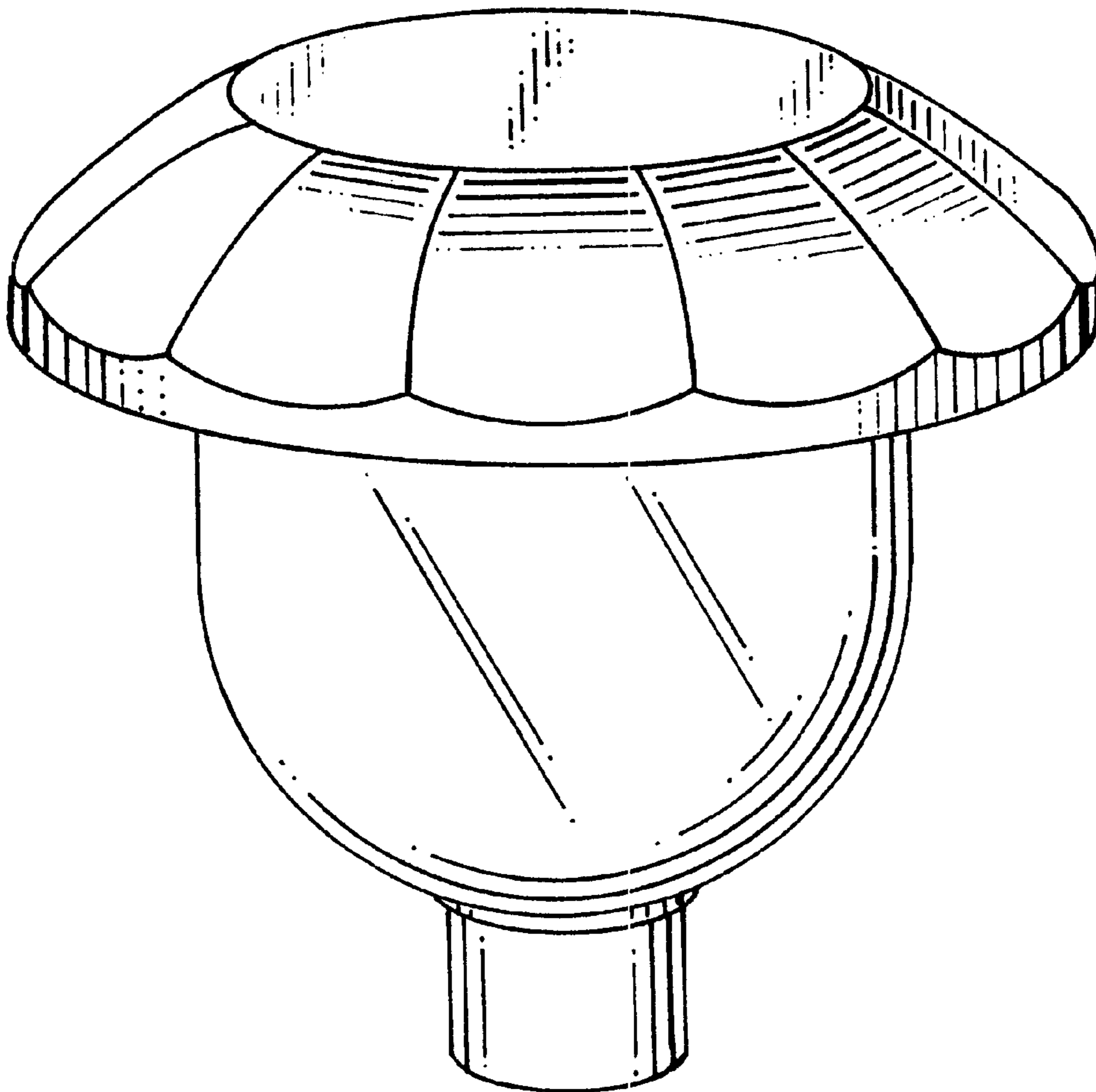
FIG. 1 is a perspective view showing my design; FIG. 2 is a front elevation view of the solar light; FIG. 3 is a rear elevation view of the solar light; FIG. 4 is a right side elevation view of the solar light; FIG. 5 is a left side elevation of the solar light; FIG. 6 is a top plan view of the solar light; and, FIG. 7 is a bottom plan view of the solar light.

(56) **References Cited**

U.S. PATENT DOCUMENTS

- D435,129 S * 12/2000 Ewing D26/67
- D444,584 S * 7/2001 Landefeld D26/67
- D452,028 S * 12/2001 Lee D26/67

1 Claim, 4 Drawing Sheets



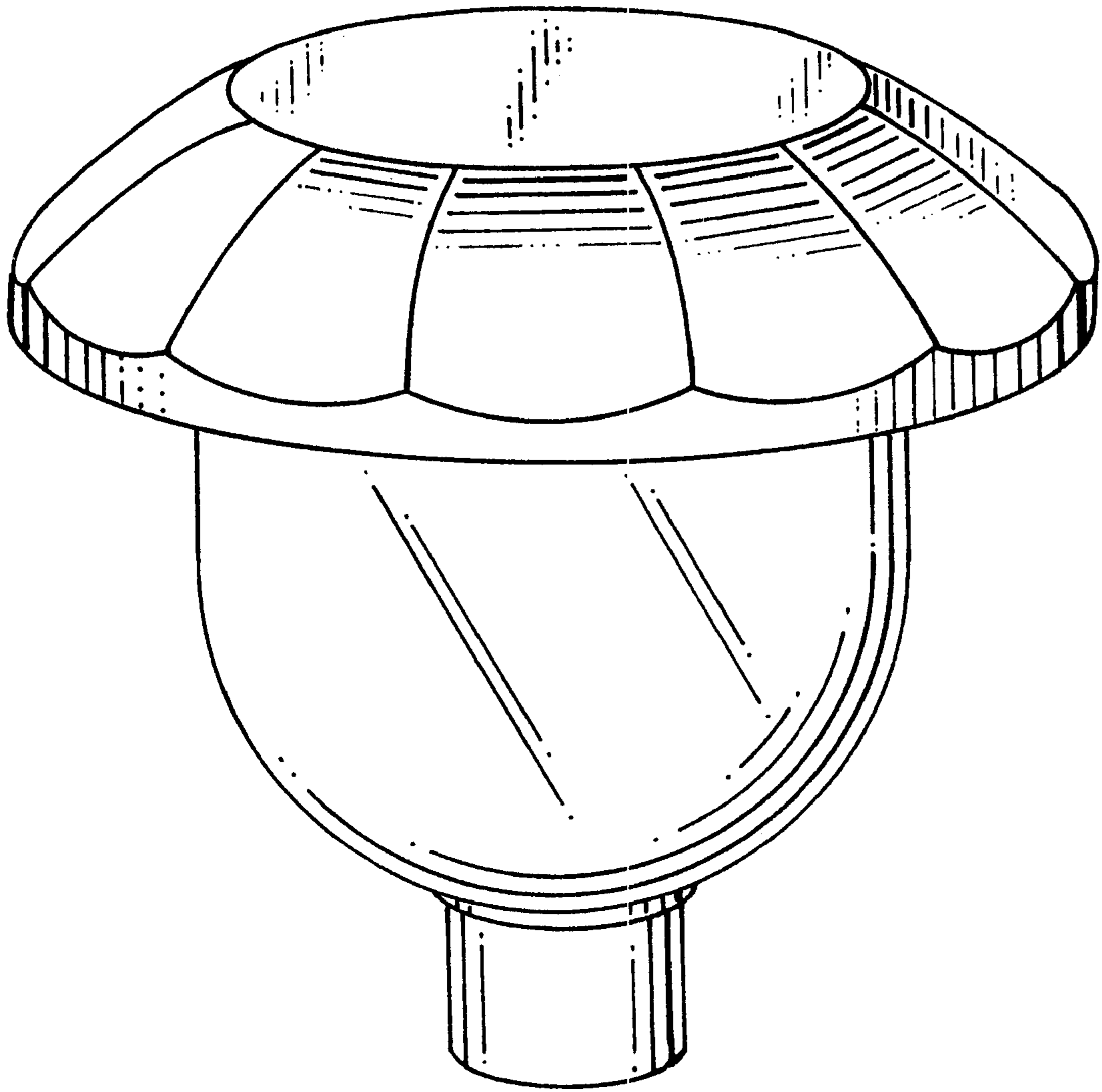


FIG. 1

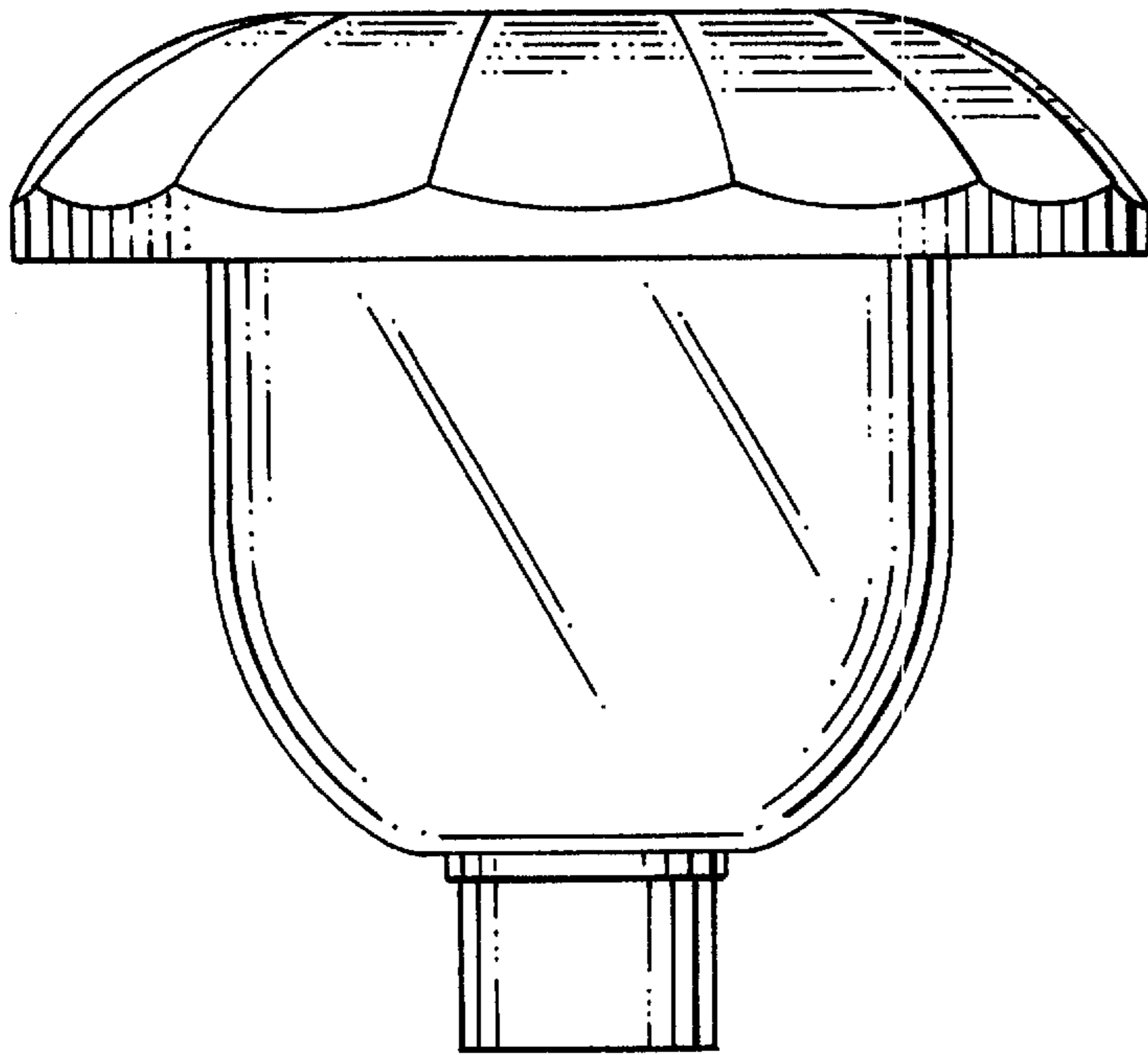


FIG. 2

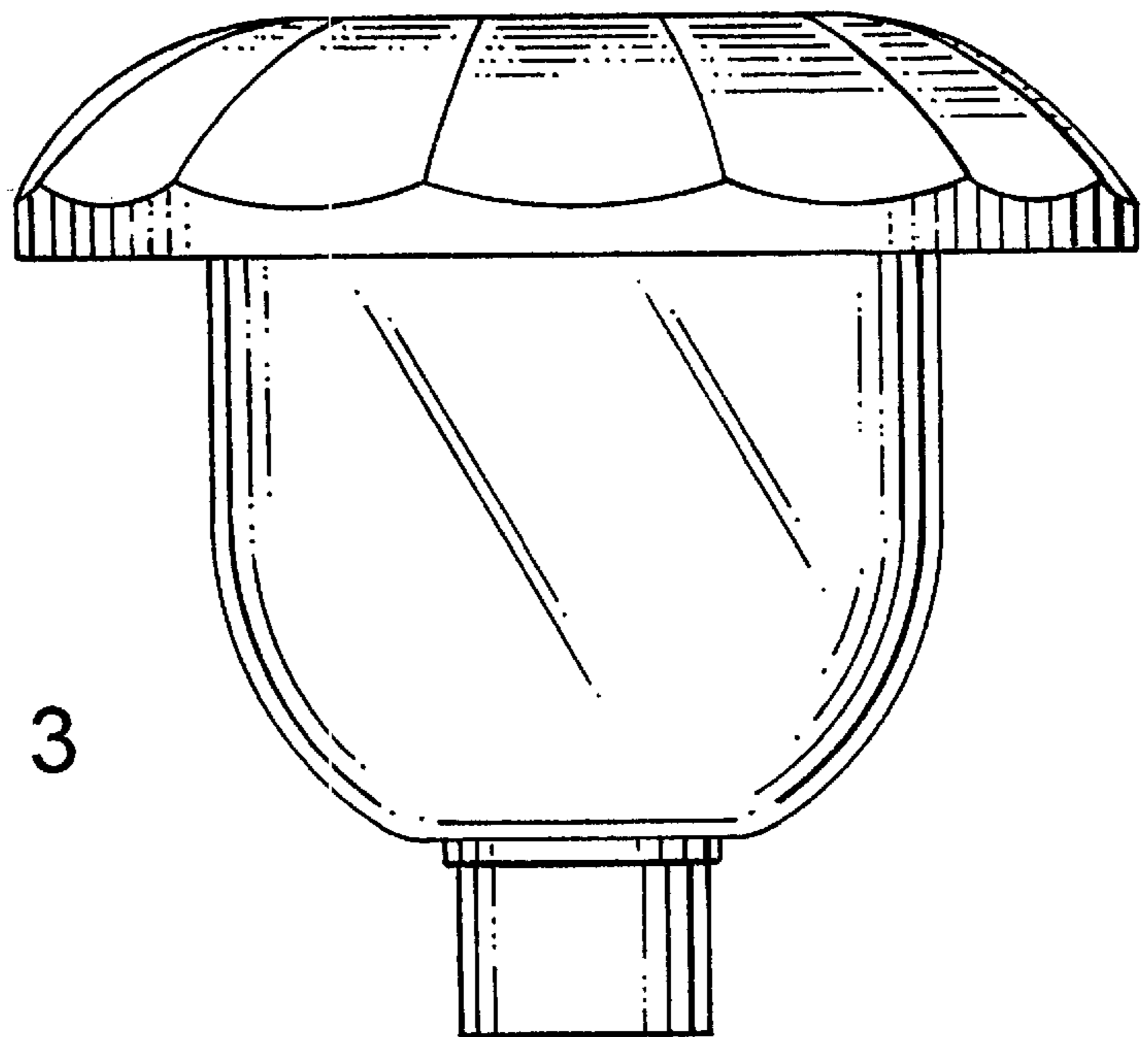


FIG. 3

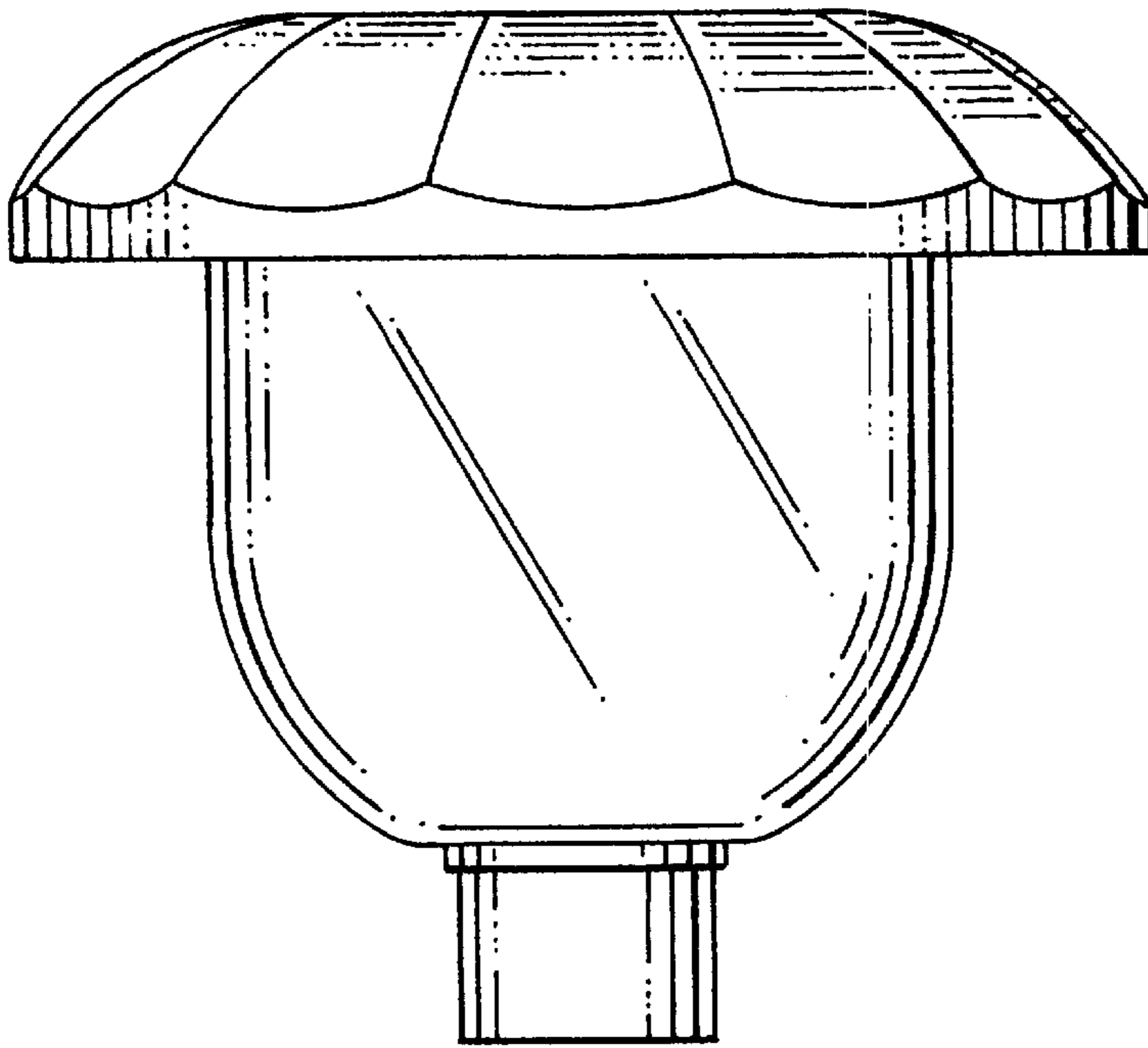


FIG. 4

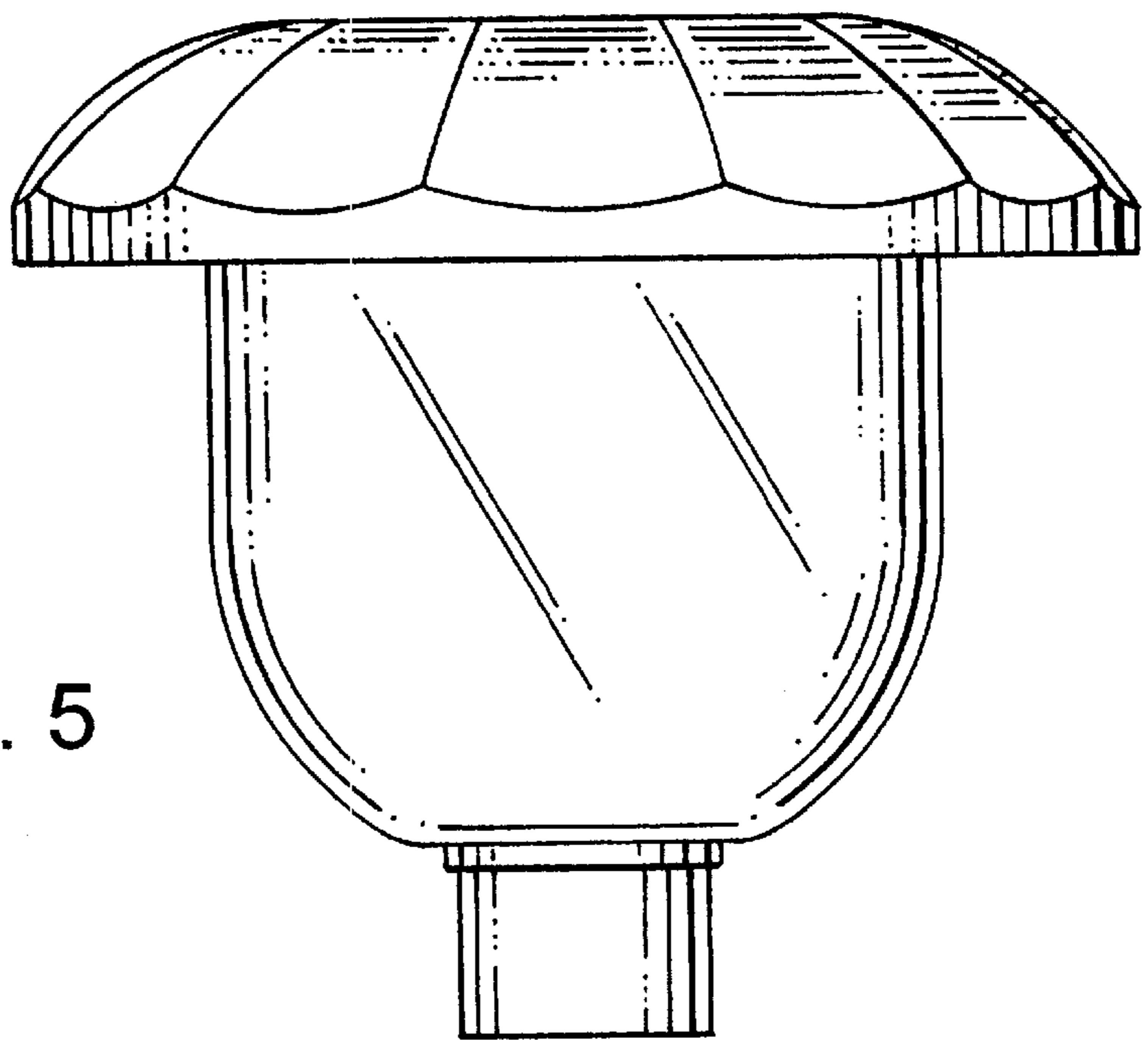


FIG. 5

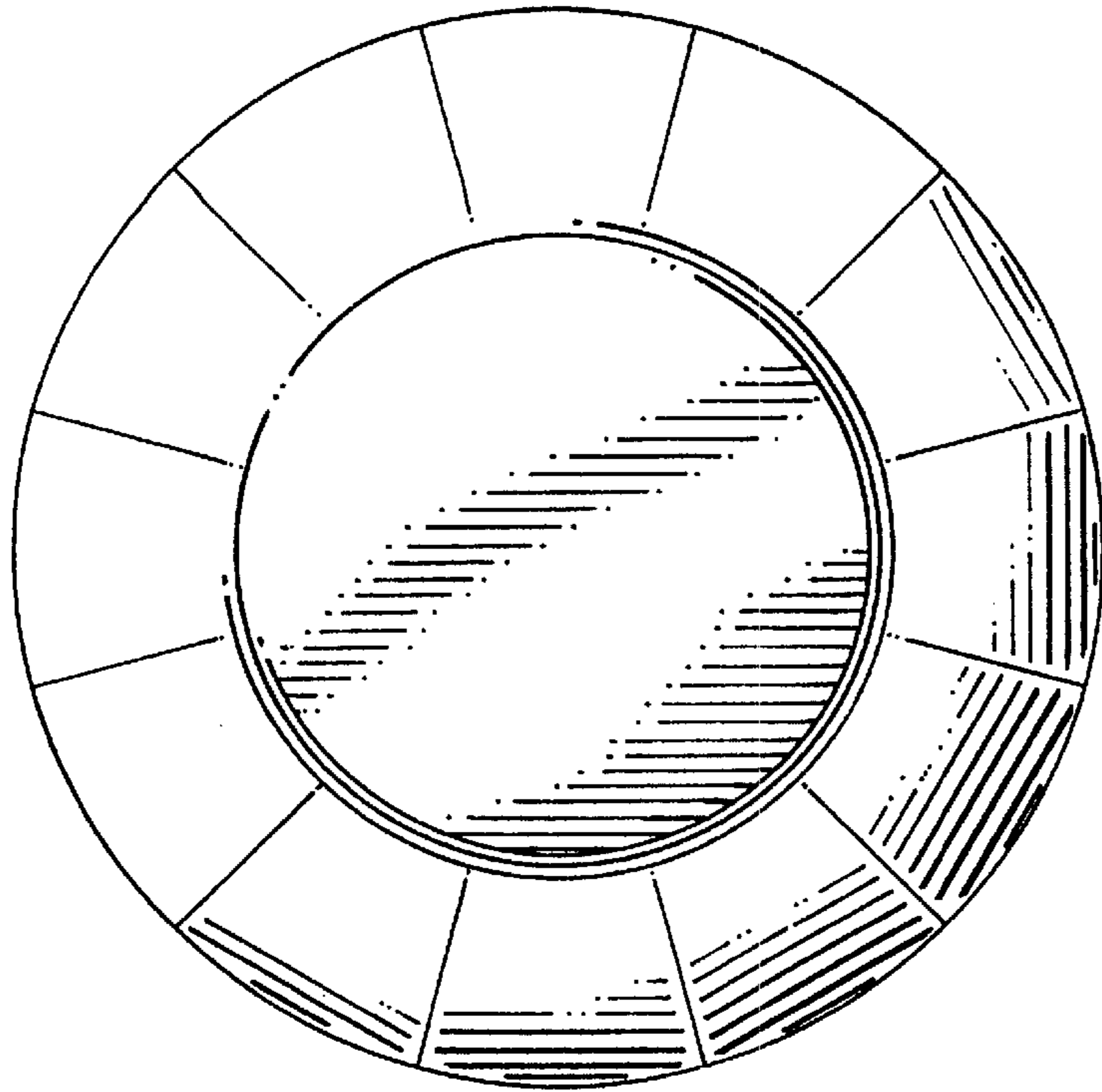


FIG. 6

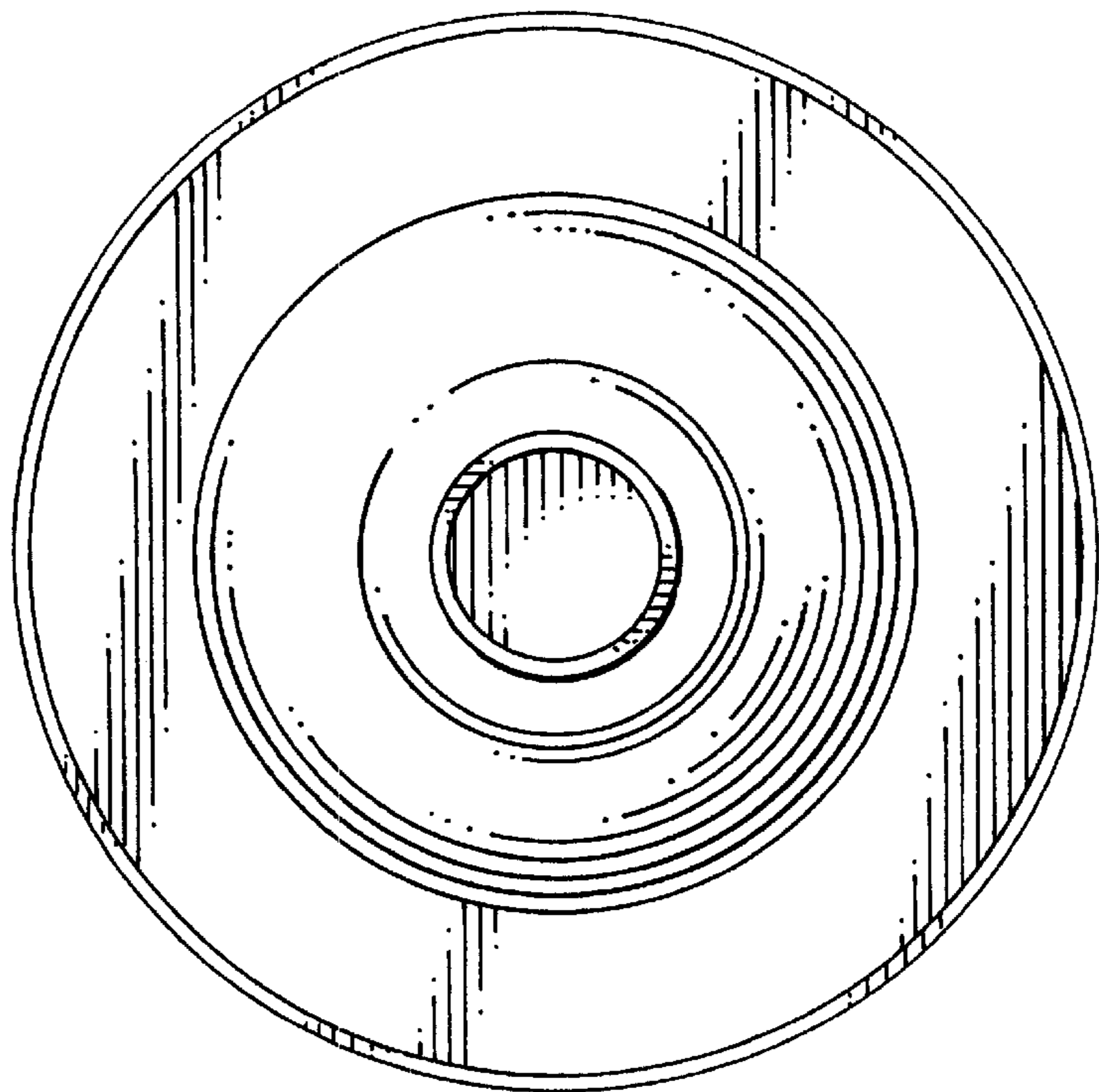


FIG. 7