



US00D469905S

(12) **United States Design Patent**  
Levine et al.

(10) **Patent No.:** **US D469,905 S**

(45) **Date of Patent:** **\*\* Feb. 4, 2003**

- (54) **SPOTLIGHT WITH MAP LIGHT**
- (75) Inventors: **Stephen Levine**, Far Hills, NJ (US);  
**Charles Medd**, Hong Kong (HK)
- (73) Assignee: **Team Products International Inc.**,  
Parsippany, NJ (US)
- (\*\*) Term: **14 Years**
- (21) Appl. No.: **29/160,742**
- (22) Filed: **May 14, 2002**
- (51) **LOC (7) Cl.** ..... **26-02**
- (52) **U.S. Cl.** ..... **D26/45**
- (58) **Field of Search** ..... D26/37-50; 362/157,  
362/158, 171, 172, 173, 183-208

- (56) **References Cited**
- U.S. PATENT DOCUMENTS**
- D431,662 S \* 10/2000 Krieger ..... D26/45
- D456,921 S \* 5/2002 Parker et al. .... D26/45

D456,922 S \* 5/2002 Parker et al. .... D26/45  
D462,133 S \* 8/2002 Krieger et al. .... D26/45

\* cited by examiner

*Primary Examiner*—Marcus A. Jackson  
(74) *Attorney, Agent, or Firm*—Darby & Darby

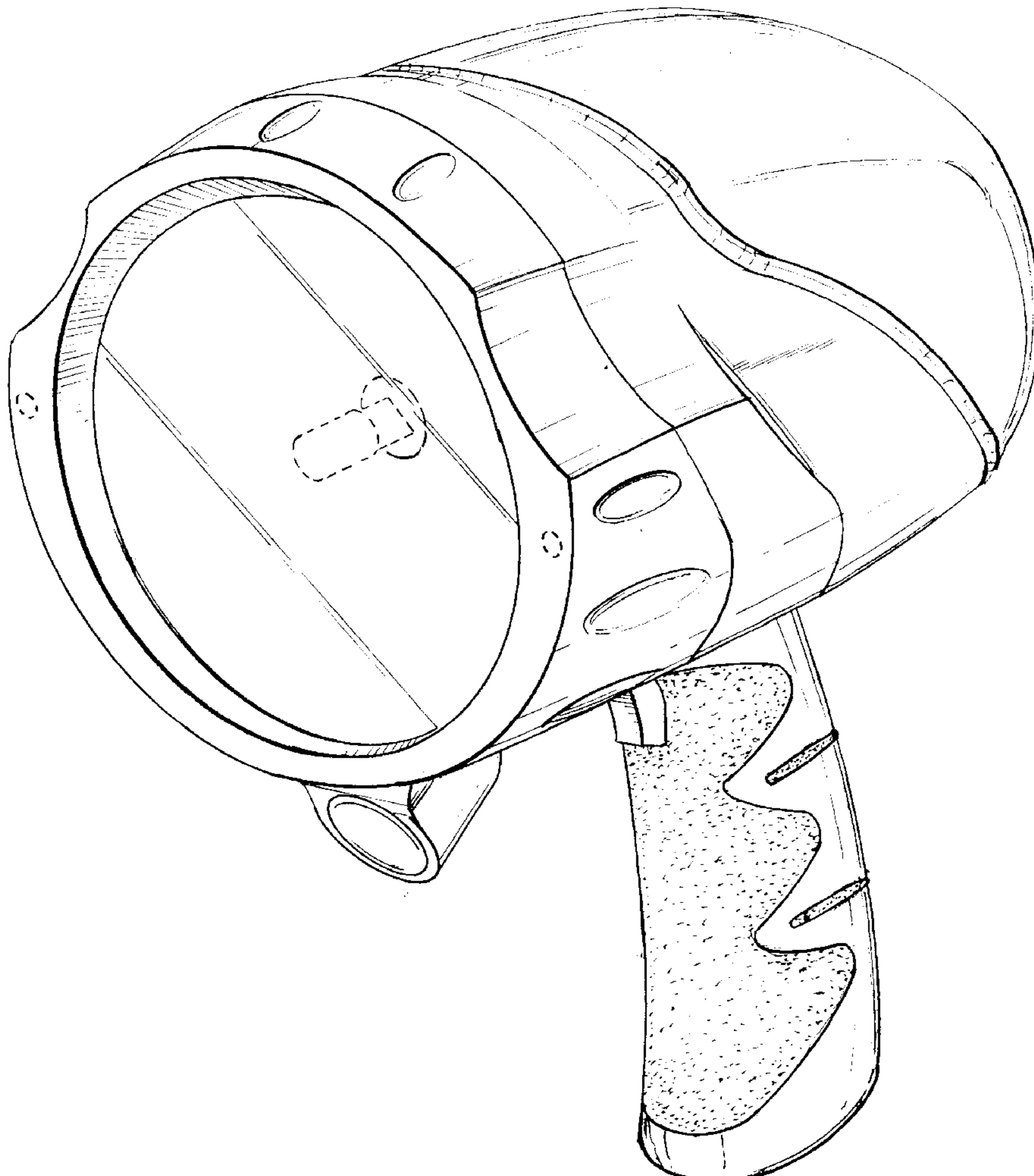
(57) **CLAIM**

We claim the novel design for a spotlight with map light, as shown.

**DESCRIPTION**

FIG. 1 front perspective view of my new design for a spotlight with map light, with the broken line showing for illustrative purposes only and forming no part of the claimed design;  
FIG. 2 is a right side elevation view thereof;  
FIG. 3 is a front elevation view thereof;  
FIG. 4 is a rear elevation view thereof;  
FIG. 5 is a bottom plan view thereof; and,  
FIG. 6 is a top plan view thereof.

**1 Claim, 6 Drawing Sheets**



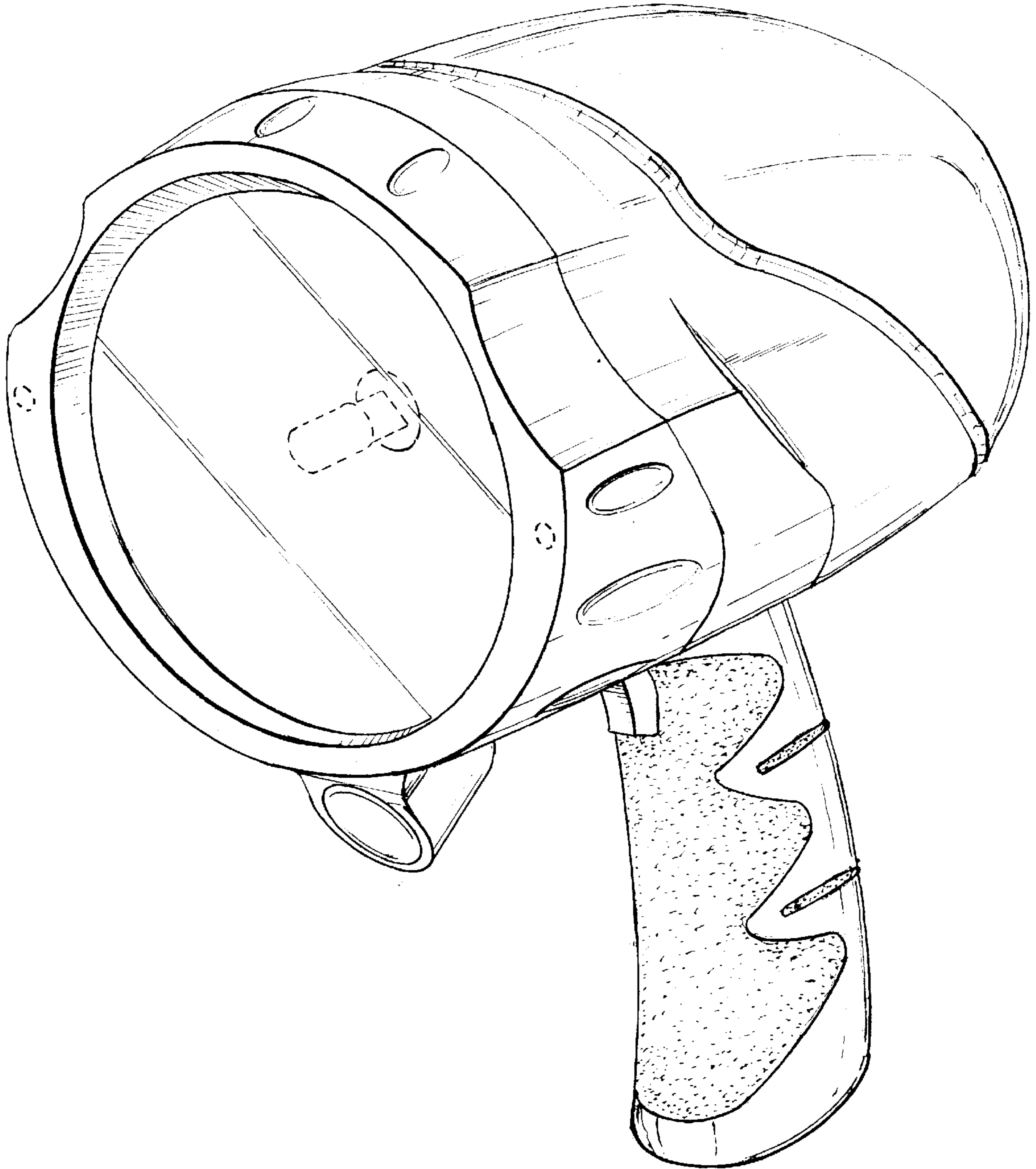


FIG. 1

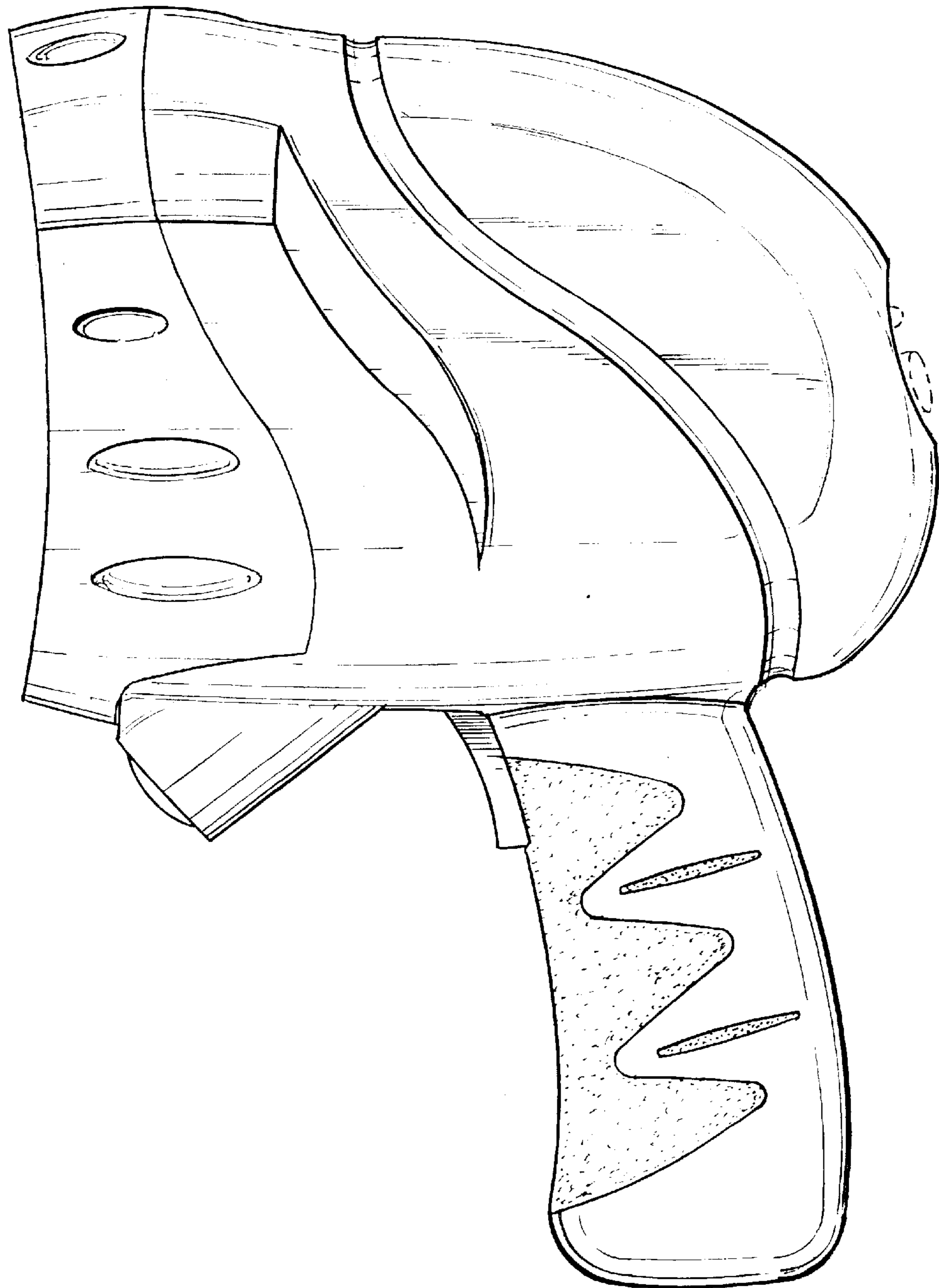


FIG. 2

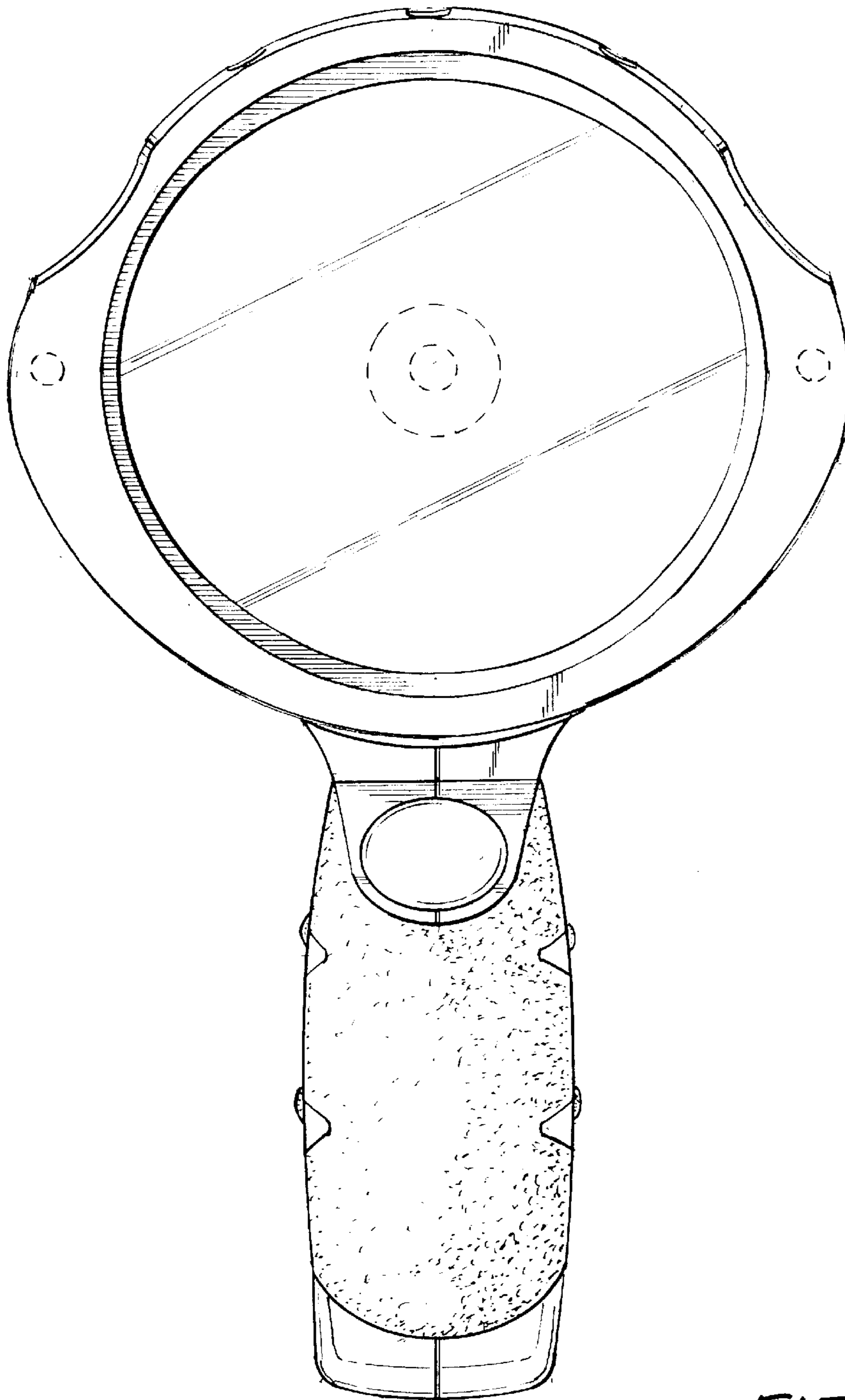


FIG. 3

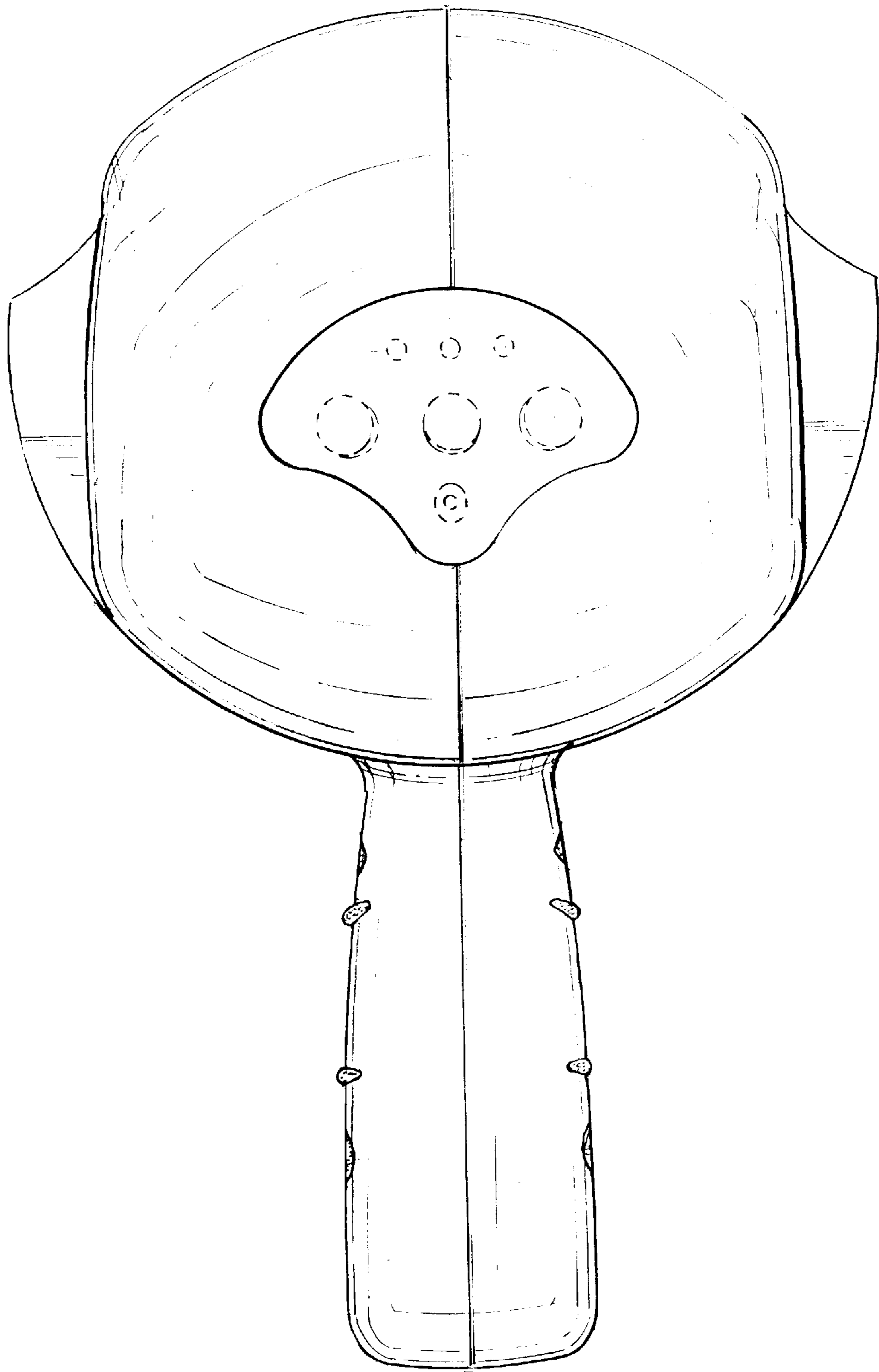


FIG. 4

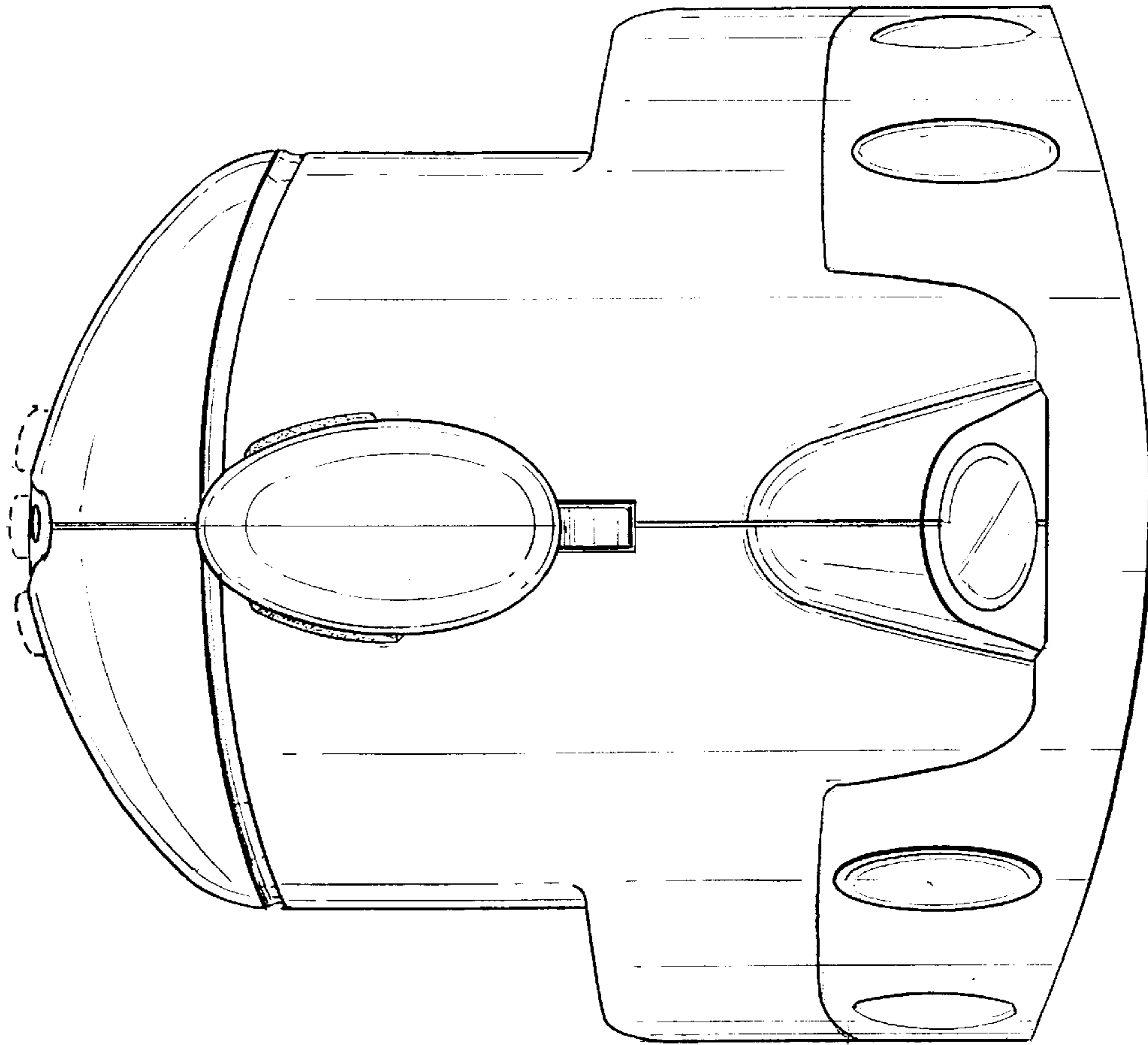


FIG. 5

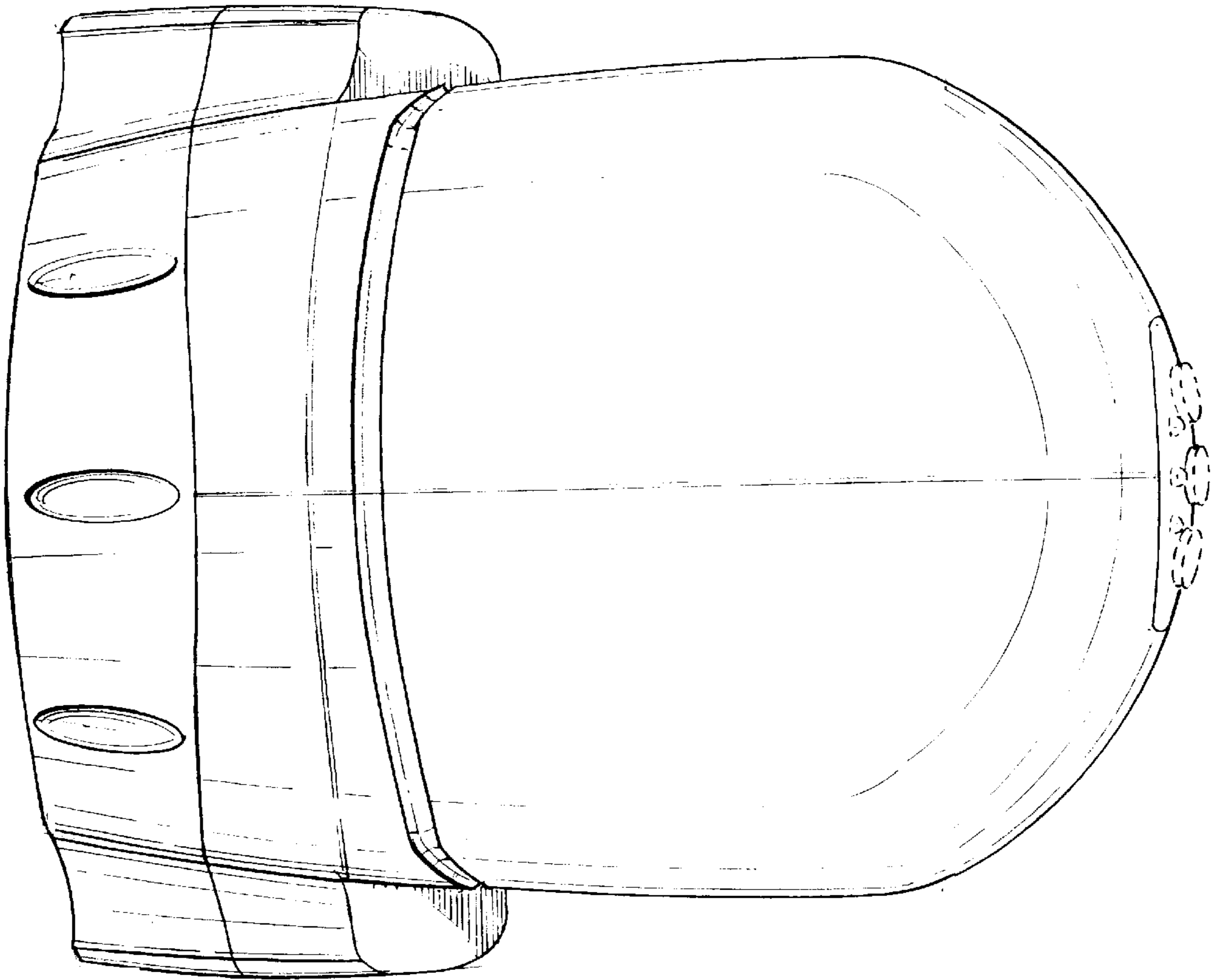


FIG. 6