



US00D469904S

(12) **United States Design Patent**  
**Levine et al.**

(10) **Patent No.:** **US D469,904 S**

(45) **Date of Patent:** **\*\* Feb. 4, 2003**

(54) **SPOTLIGHT**

D456,922 S \* 5/2002 Parker et al. .... D26/45  
D462,133 S \* 8/2002 Krieger et al. .... D26/45

(75) Inventors: **Stephen Levine**, Far Hills, NJ (US);  
**Charles Medd**, Hong Kong (HK)

\* cited by examiner

(73) Assignee: **Team Products International, Inc.**,  
Parsippany, NJ (US)

*Primary Examiner*—Marcus A. Jackson  
(74) *Attorney, Agent, or Firm*—Darby & Darby

(\*\*) Term: **14 Years**

(57) **CLAIM**

(21) Appl. No.: **29/160,448**

We claim the novel design for a spotlight, as shown and described.

(22) Filed: **May 9, 2002**

**DESCRIPTION**

(51) **LOC (7) Cl.** ..... **26-02**

(52) **U.S. Cl.** ..... **D26/45**

(58) **Field of Search** ..... D26/37-50; 362/157,  
362/158, 171, 172, 173, 183-208

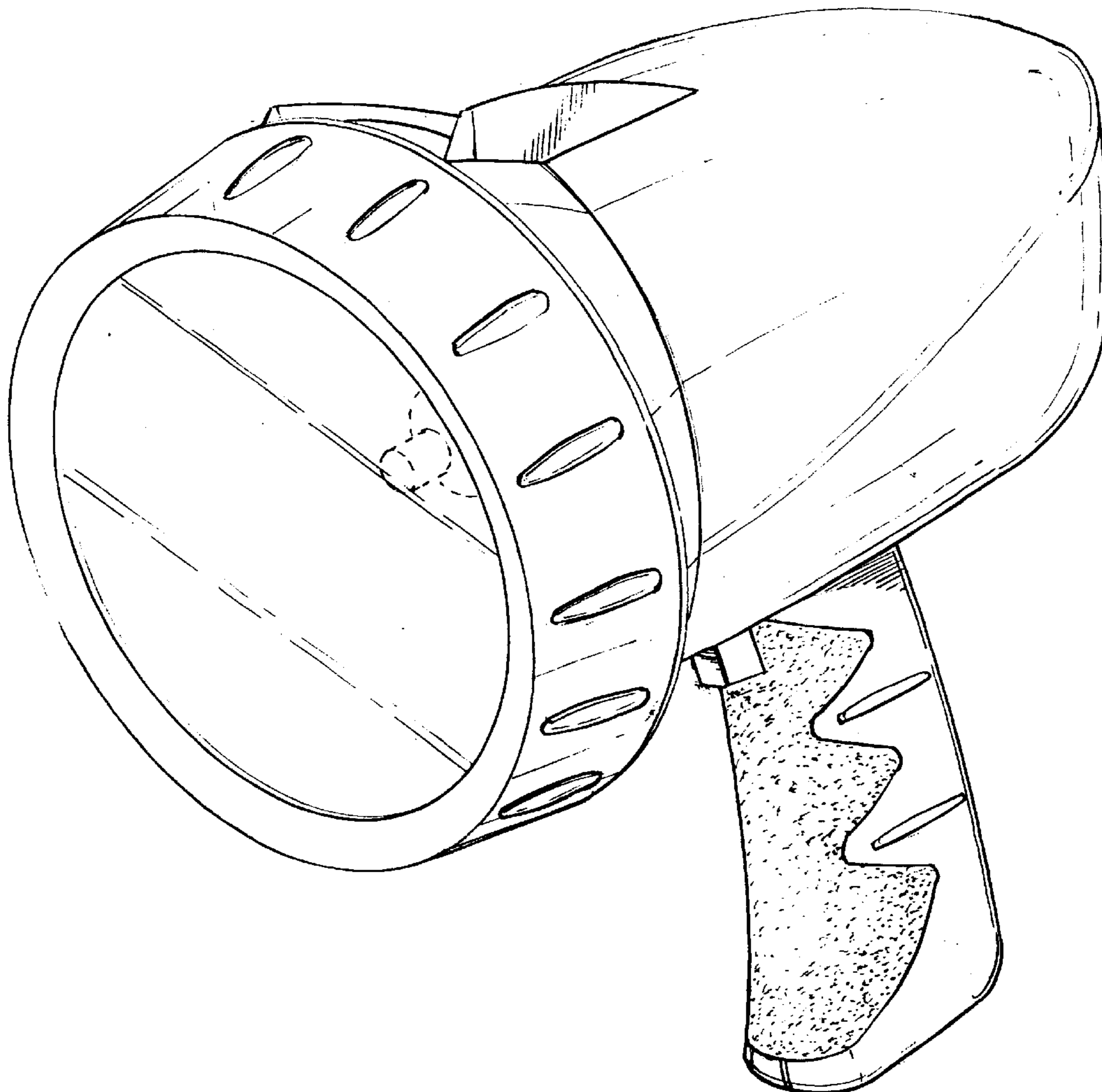
FIG. 1 is a front perspective view of my new design for a spotlight, with the broken line showing for illustrative purposes only and forming no part of the claimed design; FIG. 2 is a right side elevation view thereof; FIG. 3 is a front elevation view thereof; FIG. 4 is a rear elevation view thereof; FIG. 5 is a bottom plan view thereof; and, FIG. 6 is a top plan view thereof.

(56) **References Cited**

**U.S. PATENT DOCUMENTS**

D431,662 S \* 10/2000 Krieger ..... D26/45  
D456,921 S \* 5/2002 Parker et al. .... D26/45

**1 Claim, 6 Drawing Sheets**



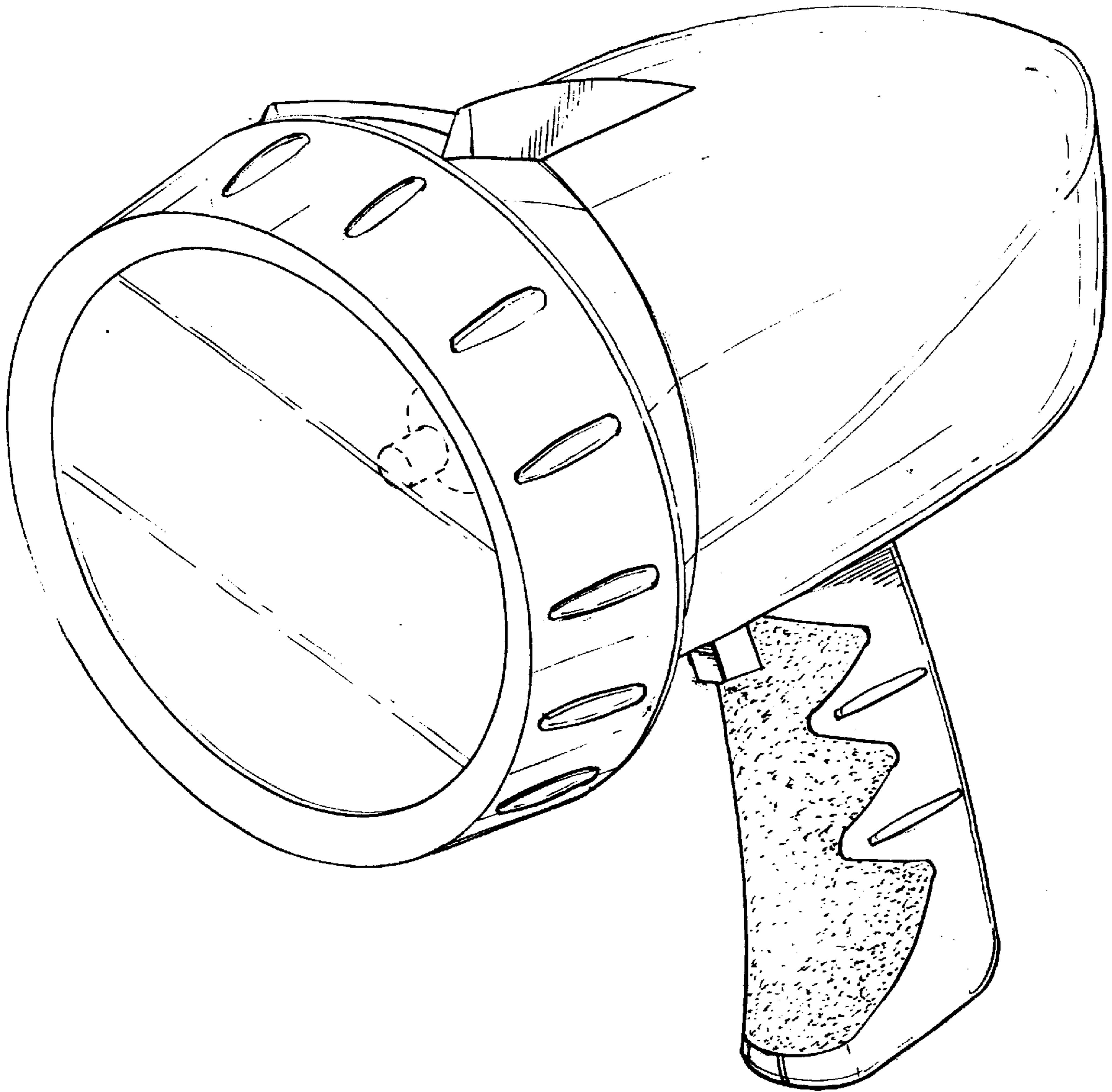


FIG. 1

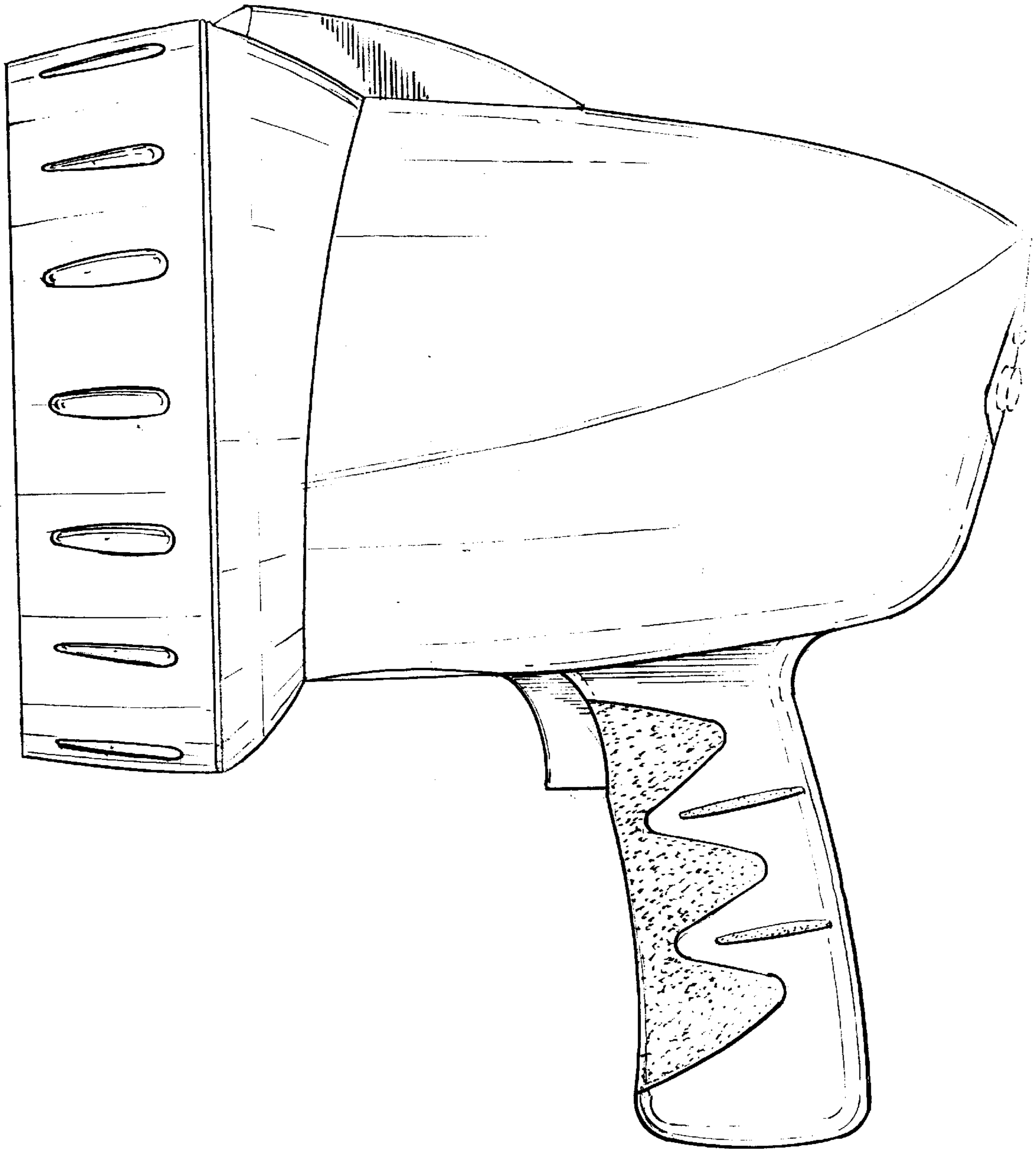


FIG. 2

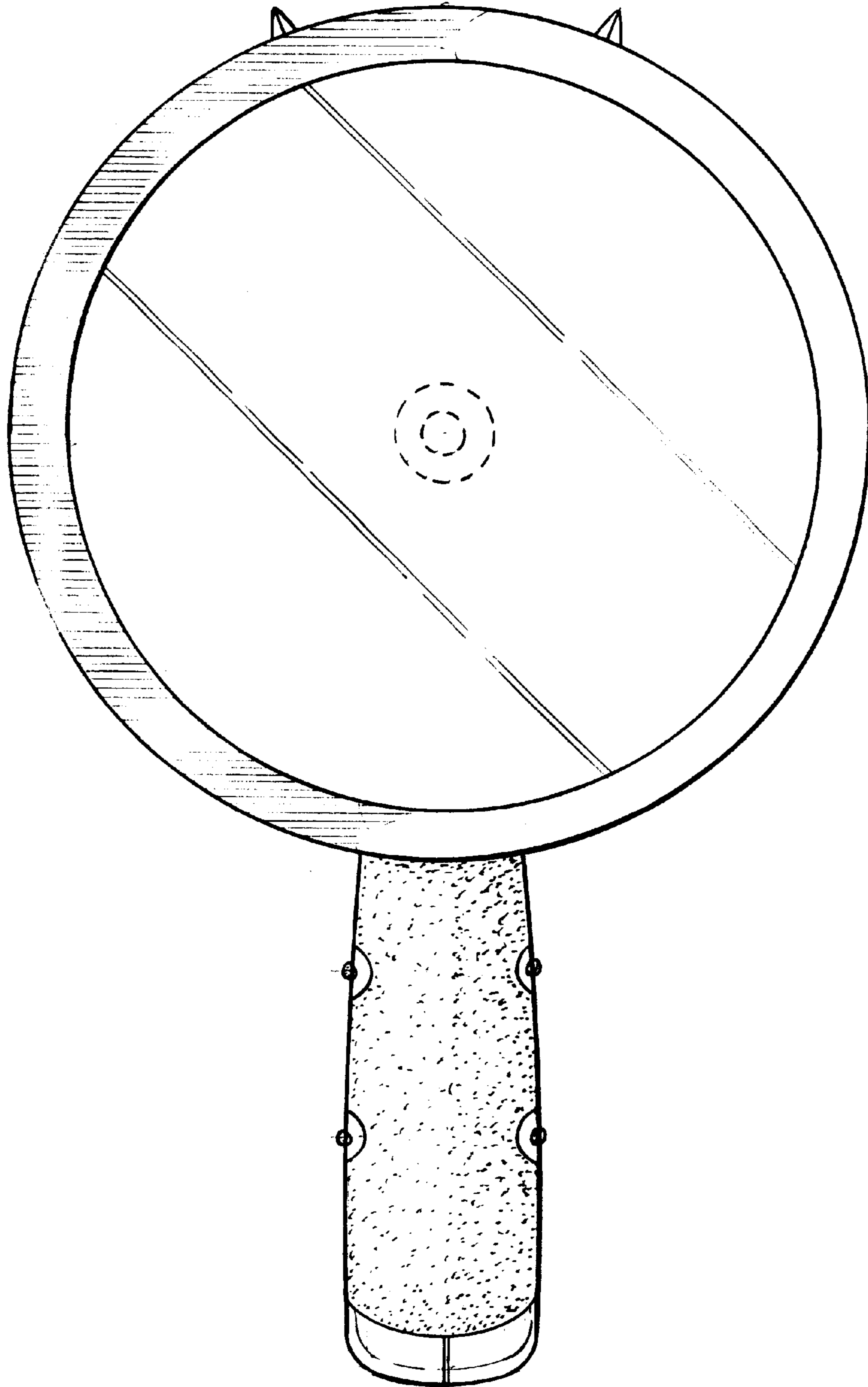


FIG. 3

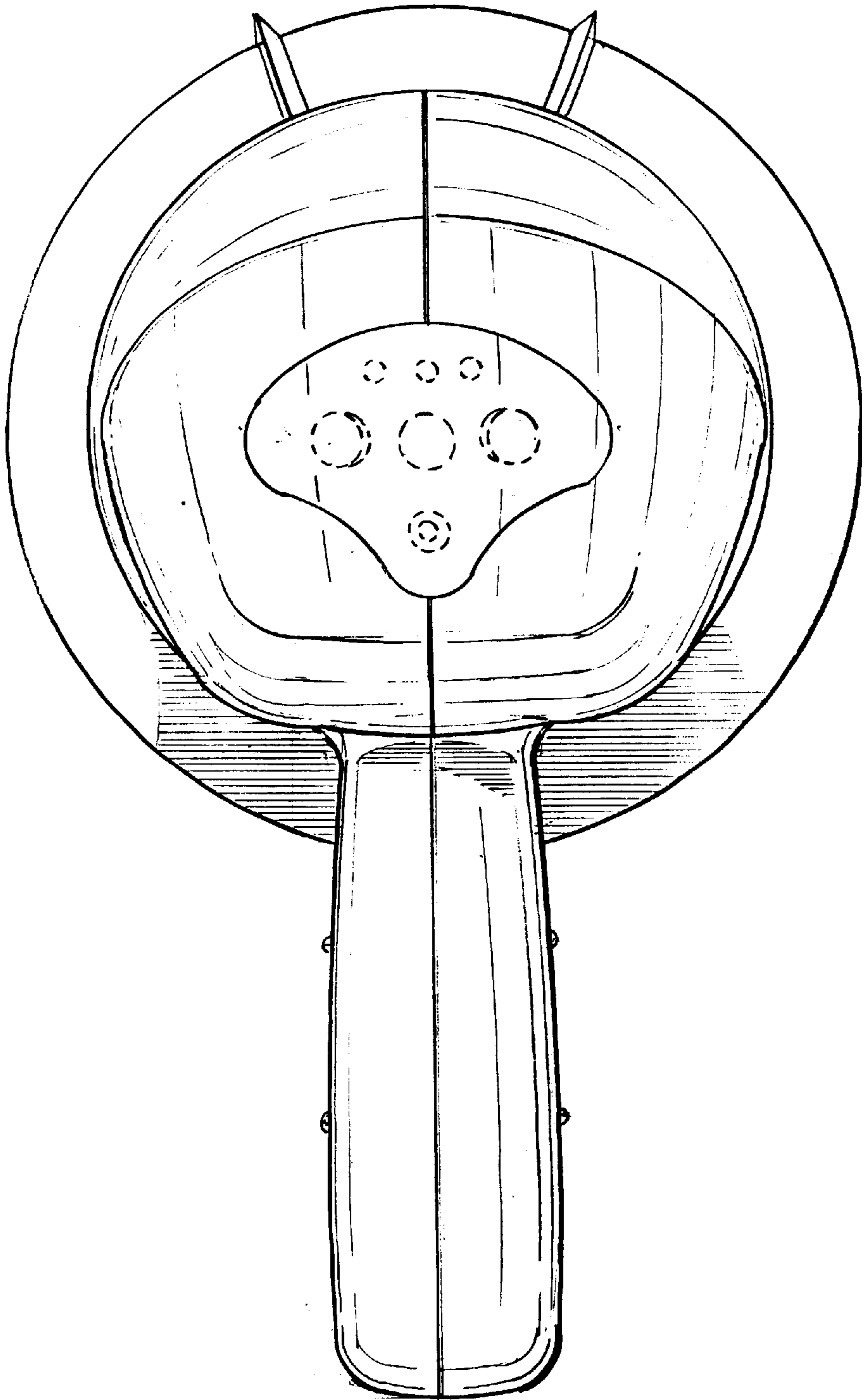


FIG. 4



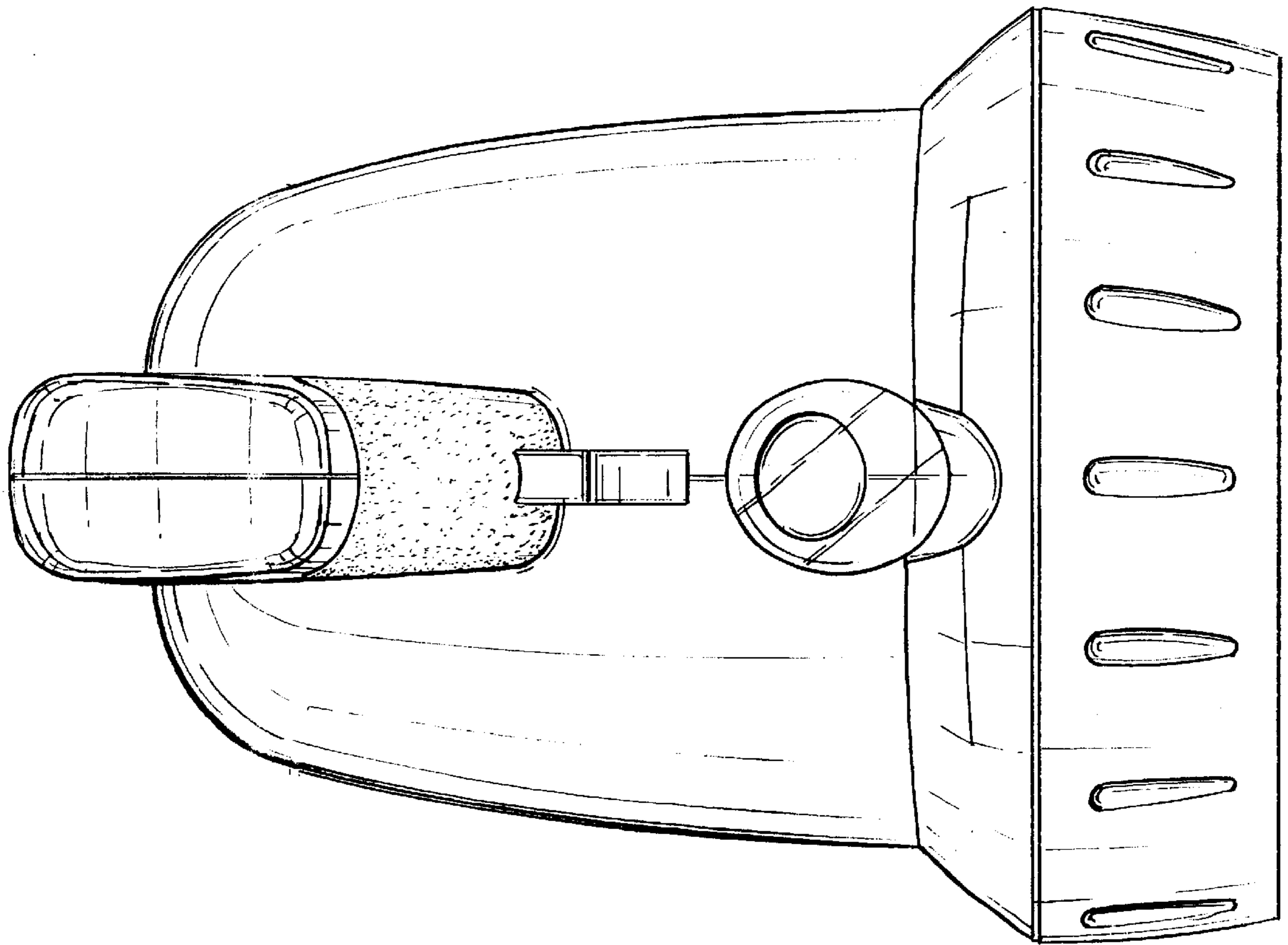


FIG. 5

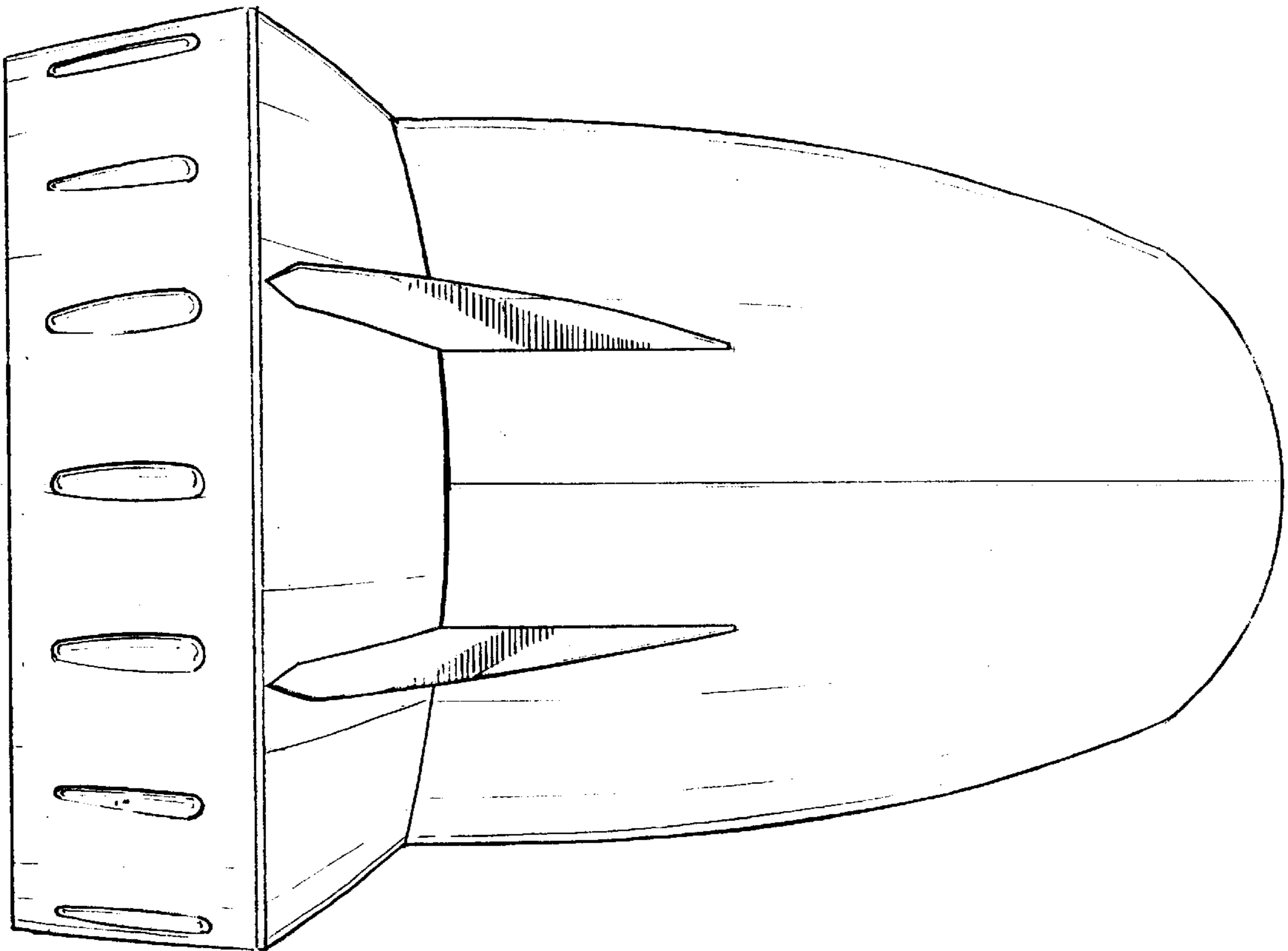


FIG. 6